



US00D455593S

(12) **United States Design Patent**
Hoernig

(10) **Patent No.:** **US D455,593 S**

(45) **Date of Patent:** **** Apr. 16, 2002**

(54) **SUPPORT BRACKET FOR BATHROOM ACCESSORY**

D327,598 S * 7/1992 Emery D6/549
D392,138 S * 3/1998 Wu D6/549
D406,484 S * 3/1999 Wu D6/566

(75) Inventor: **Victor Hoernig**, Lowell, IN (US)

OTHER PUBLICATIONS

(73) Assignee: **Gusa, Inc.**, Fort Mill, SC (US)

Smedbo "Villa Bath" p. 4 Double Towel Bar K236.*

(**) Term: **14 Years**

* cited by examiner

(21) Appl. No.: **29/146,287**

Primary Examiner—Brian N. Vinson

(22) Filed: **Aug. 7, 2001**

(74) *Attorney, Agent, or Firm*—Edgar A. Zarins; Lloyd D. Doigan

Related U.S. Application Data

(57) **CLAIM**

(62) Division of application No. 29/142,644, filed on May 30, 2001.

The ornamental design for a support bracket for bathroom accessory, as shown and described.

(51) **LOC (7) Cl.** **06-04**

DESCRIPTION

(52) **U.S. Cl.** **D6/549; D6/550**

(58) **Field of Search** D6/546–50, 518, D6/522–24; D8/300, 315–21, 354, 363, 373, 380; 108/28–29; 211/13.1, 16, 60.1, 86.01, 87.01, 88.04, 100, 105.1–105.2, 123, 181.1, 182; 248/175, 176.1, 251, 302; 16/110.1, 412, 415; 242/570, 590, 595–598; 206/389

FIG. 1 is a perspective view of a support bracket for bathroom accessory showing my new design;
FIG. 2 is a front elevational view thereof;
FIG. 3 is a top plan view thereof;
FIG. 4 is a right side view thereof;
FIG. 5 is a left side view thereof; and,
FIG. 6 is a bottom plan view thereof.

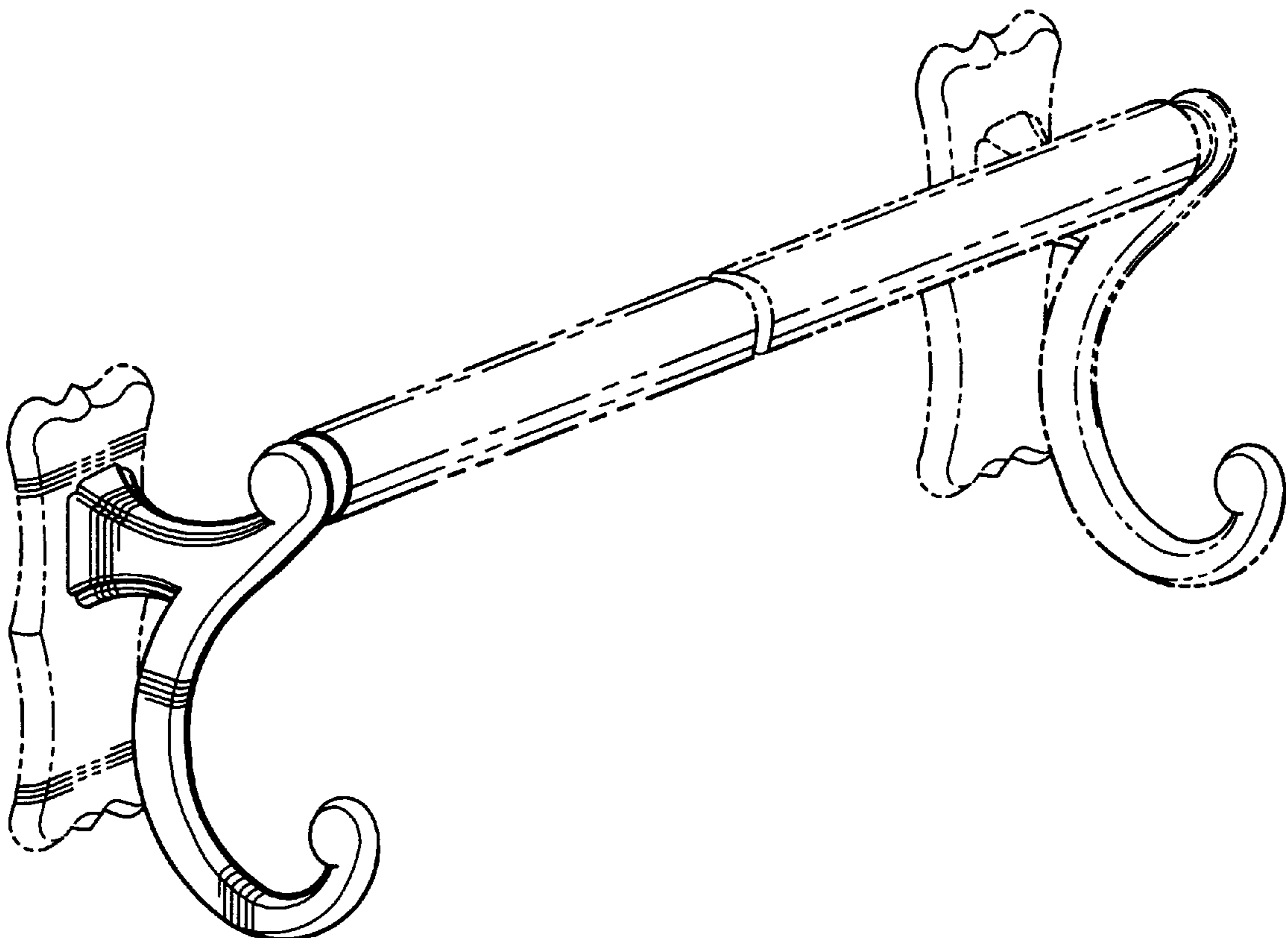
(56) **References Cited**

The elements shown in broken lines are for illustrative purposes only and form no part of the claimed design.

U.S. PATENT DOCUMENTS

2,315,566 A * 4/1943 Watral et al. 211/123 X

1 Claim, 2 Drawing Sheets



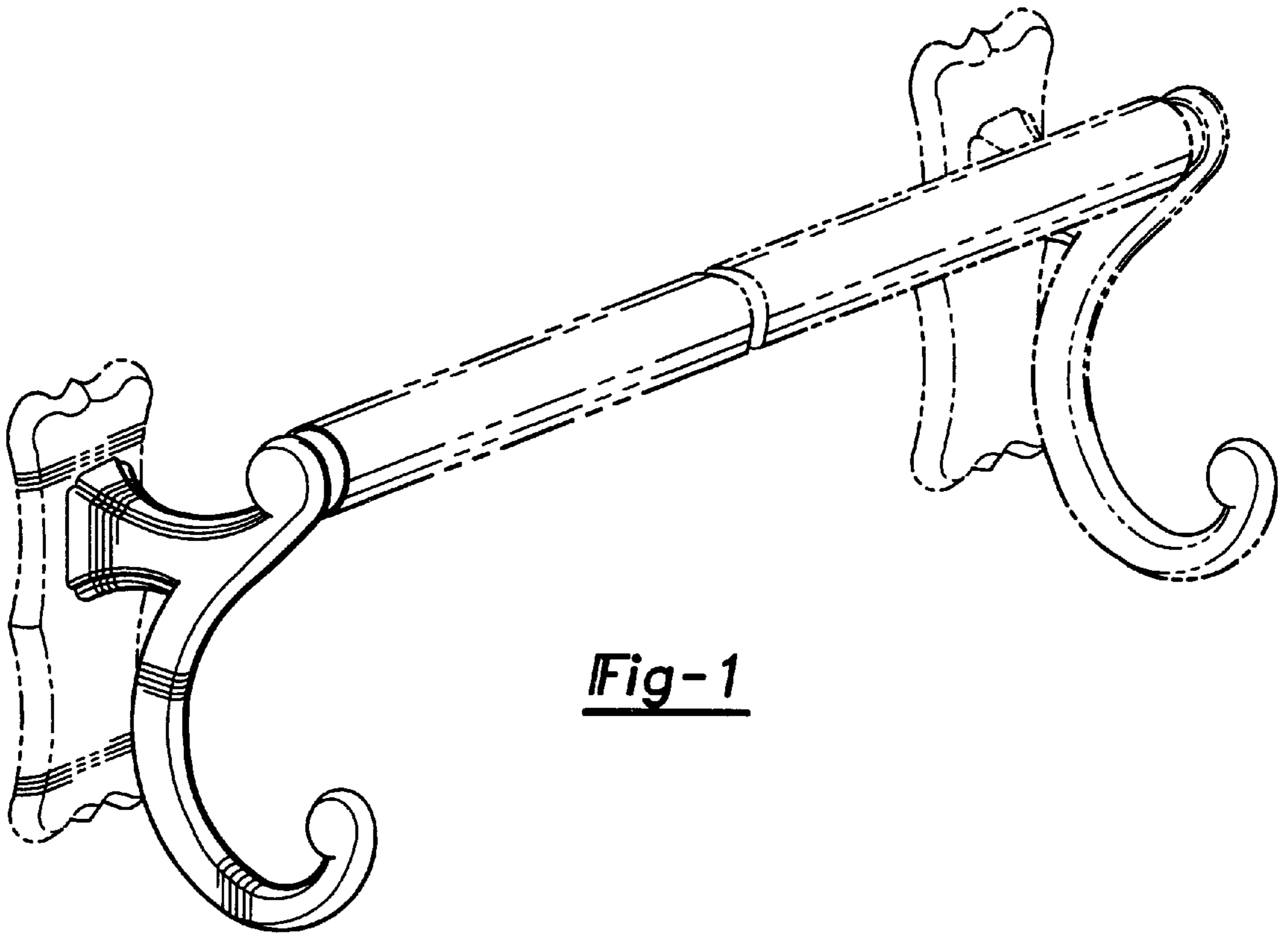


Fig-1

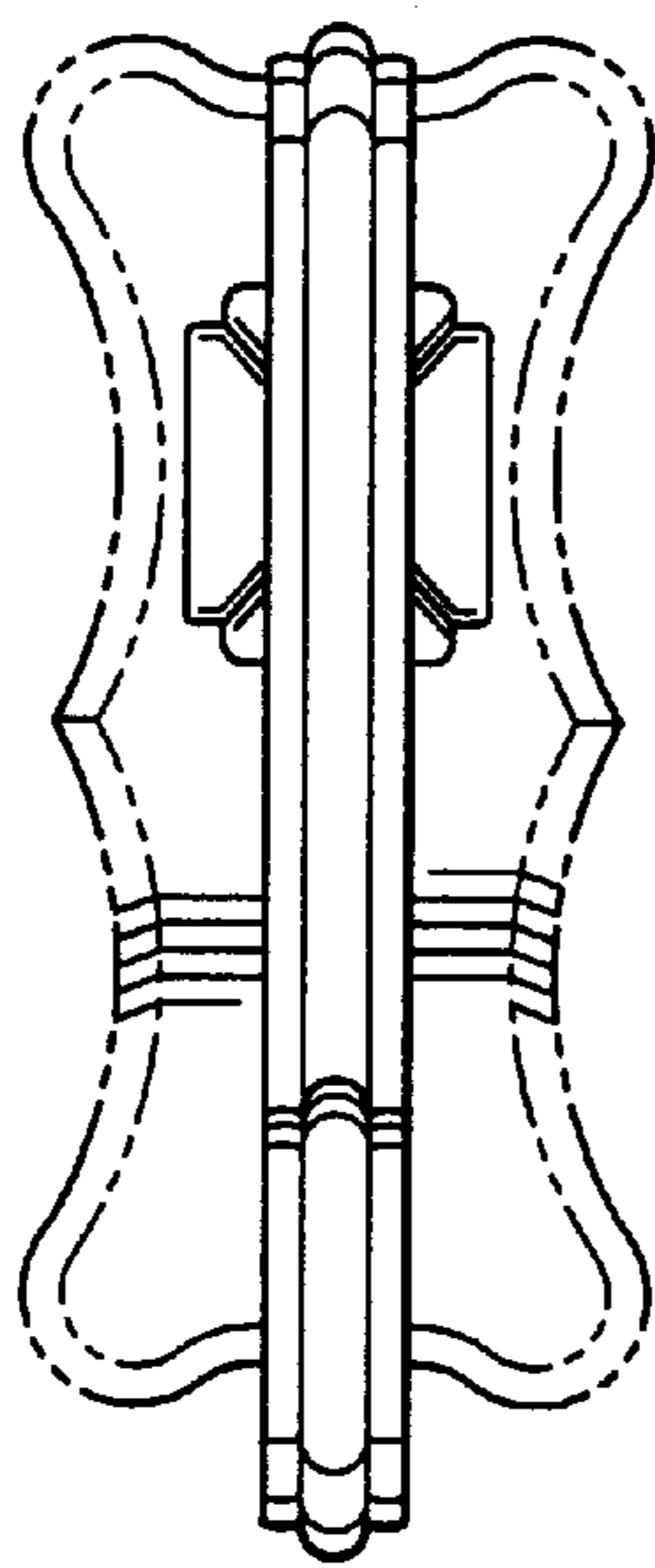


Fig-2

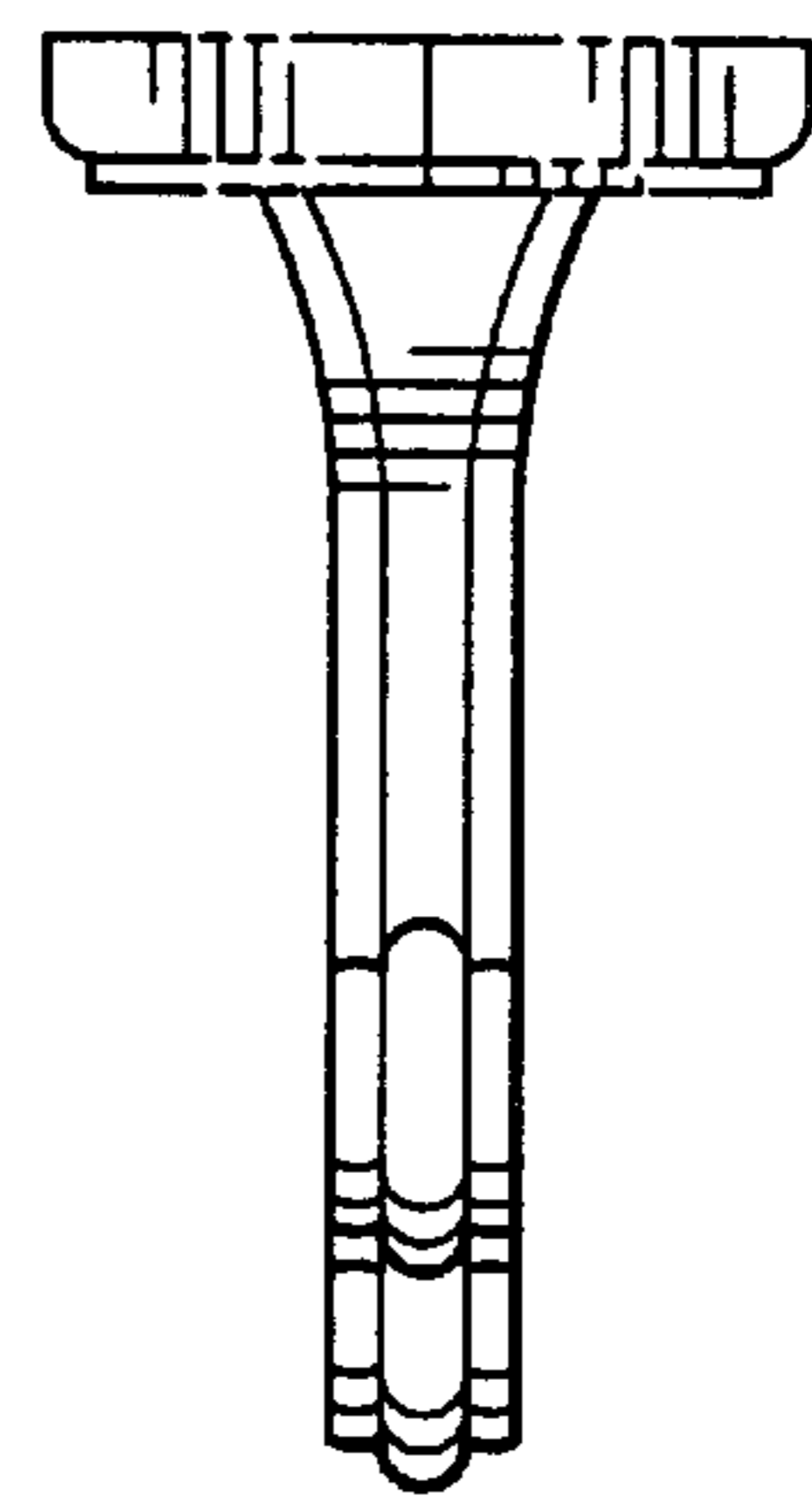


Fig-3

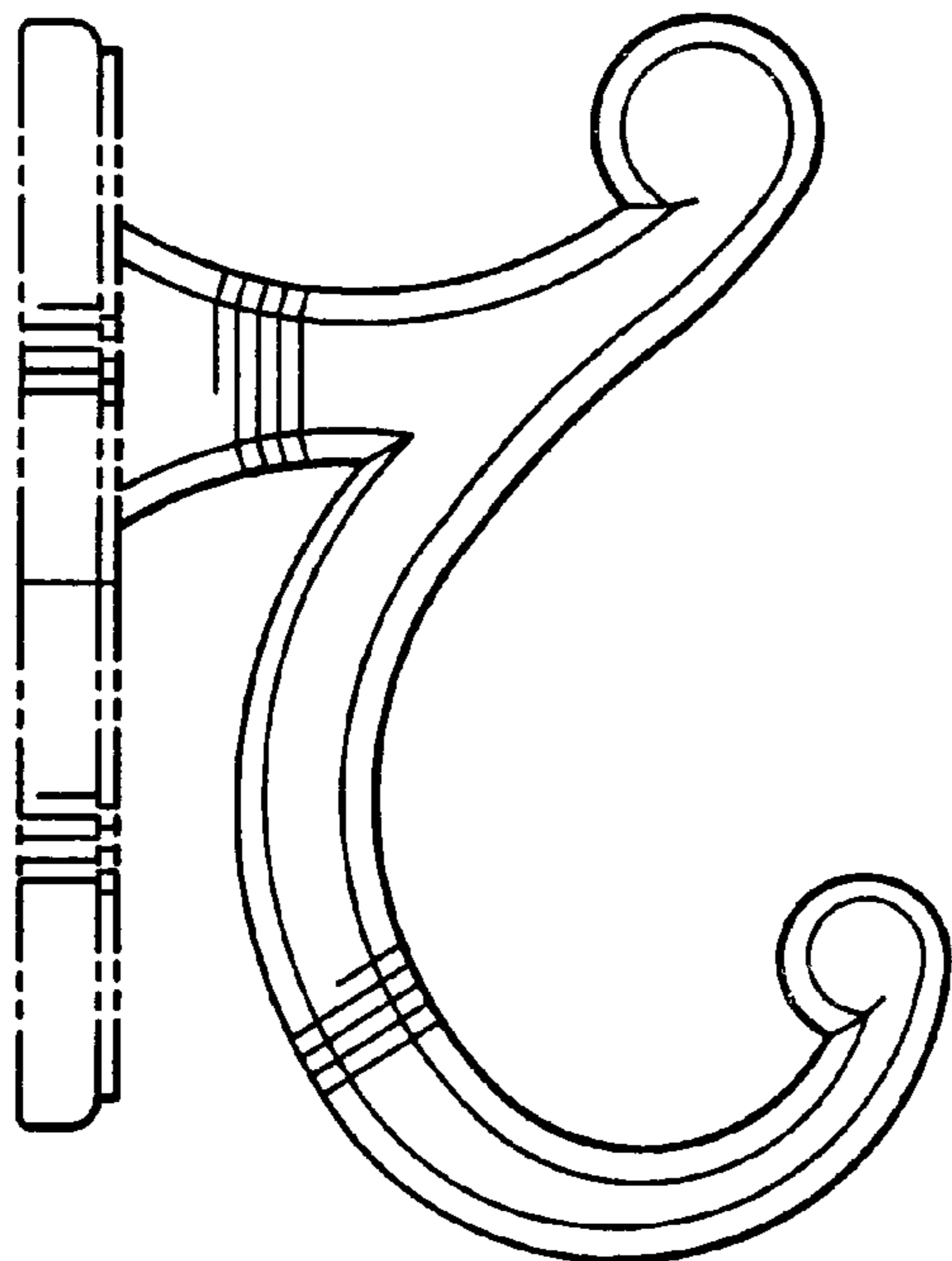


Fig-4

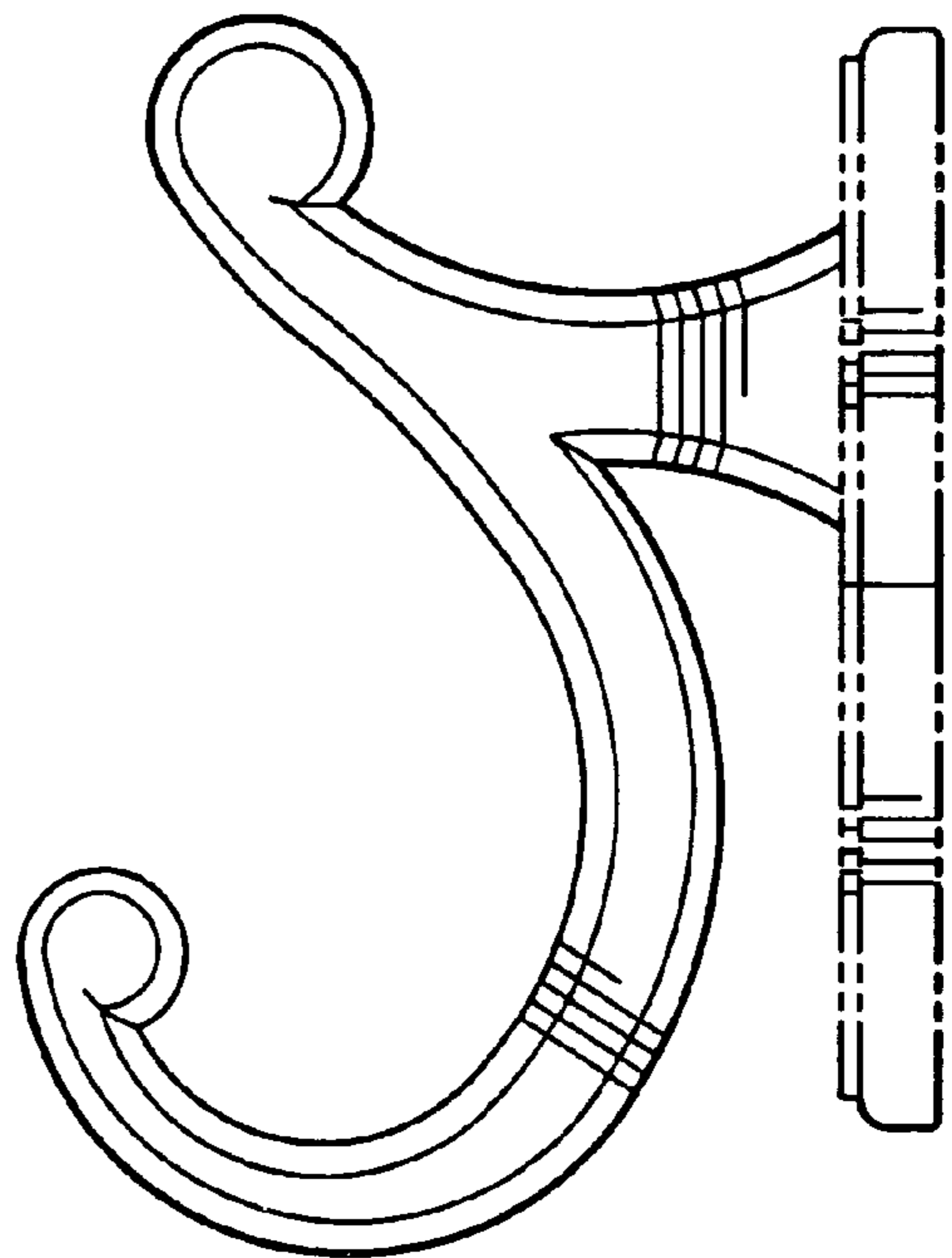


Fig-5

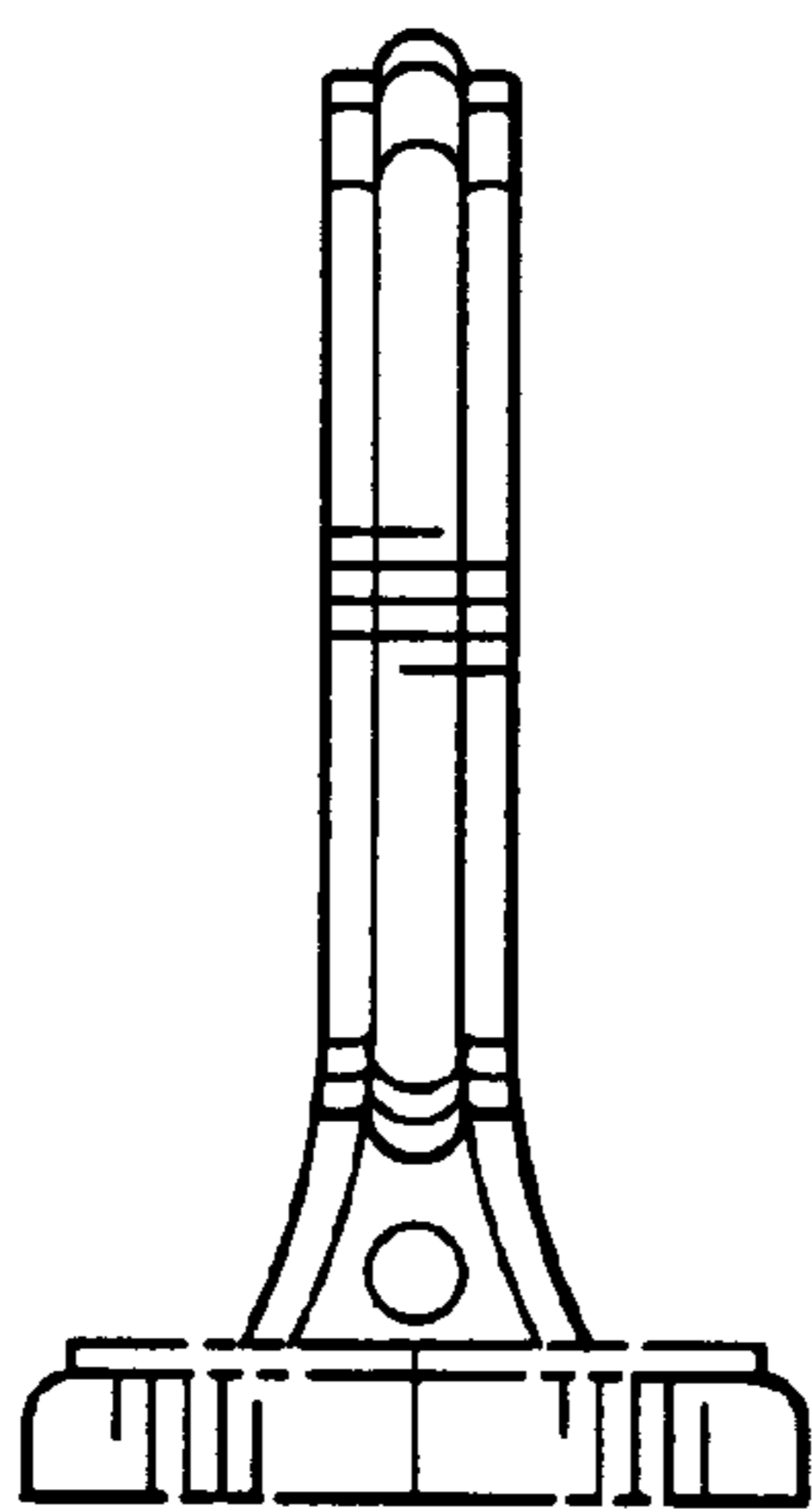


Fig-6