



US00D455592S

(12) **United States Design Patent**
Ou-Young

(10) **Patent No.:** **US D455,592 S**

(45) **Date of Patent:** **** Apr. 16, 2002**

(54) **TOWEL BAR**

(75) **Inventor:** **Ming Ou-Young, Tai Chung (TW)**

(73) **Assignee:** **Globe Union America Corporation,**
Bolingbrook, IL (US)

(**) **Term:** **14 Years**

(21) **Appl. No.:** **29/136,935**

(22) **Filed:** **Feb. 9, 2001**

(51) **LOC (7) Cl.** **06-04**

(52) **U.S. Cl.** **D6/549**

(58) **Field of Search** D6/546-50, 518,
D6/522-24; D8/300, 307-308, 315-21;
108/28-29; 211/13.1, 16, 60.1, 86.01, 87.01,
88.04, 100, 105.1-105.2, 123, 181.1, 182;
242/570, 590, 595, 597-98; 248/175, 176.1,
251, 302; 16/110.1, 412, 415

(56) **References Cited**

U.S. PATENT DOCUMENTS

D259,753 S * 7/1981 Fleischmann et al. D6/549
D298,895 S 12/1988 Sharpe

D361,460 S * 8/1995 Warshawsky D6/549
D363,183 S 10/1995 Starck
D363,630 S 10/1995 Starck
D417,995 S * 12/1999 Chen D6/550
D424,352 S * 5/2000 Roth et al. D6/549
D426,095 S * 6/2000 Chen D6/549
D427,471 S * 7/2000 Chen D6/549

* cited by examiner

Primary Examiner—Brian N. Vinson

(74) *Attorney, Agent, or Firm*—Brinks Hofer Gilson & Lione

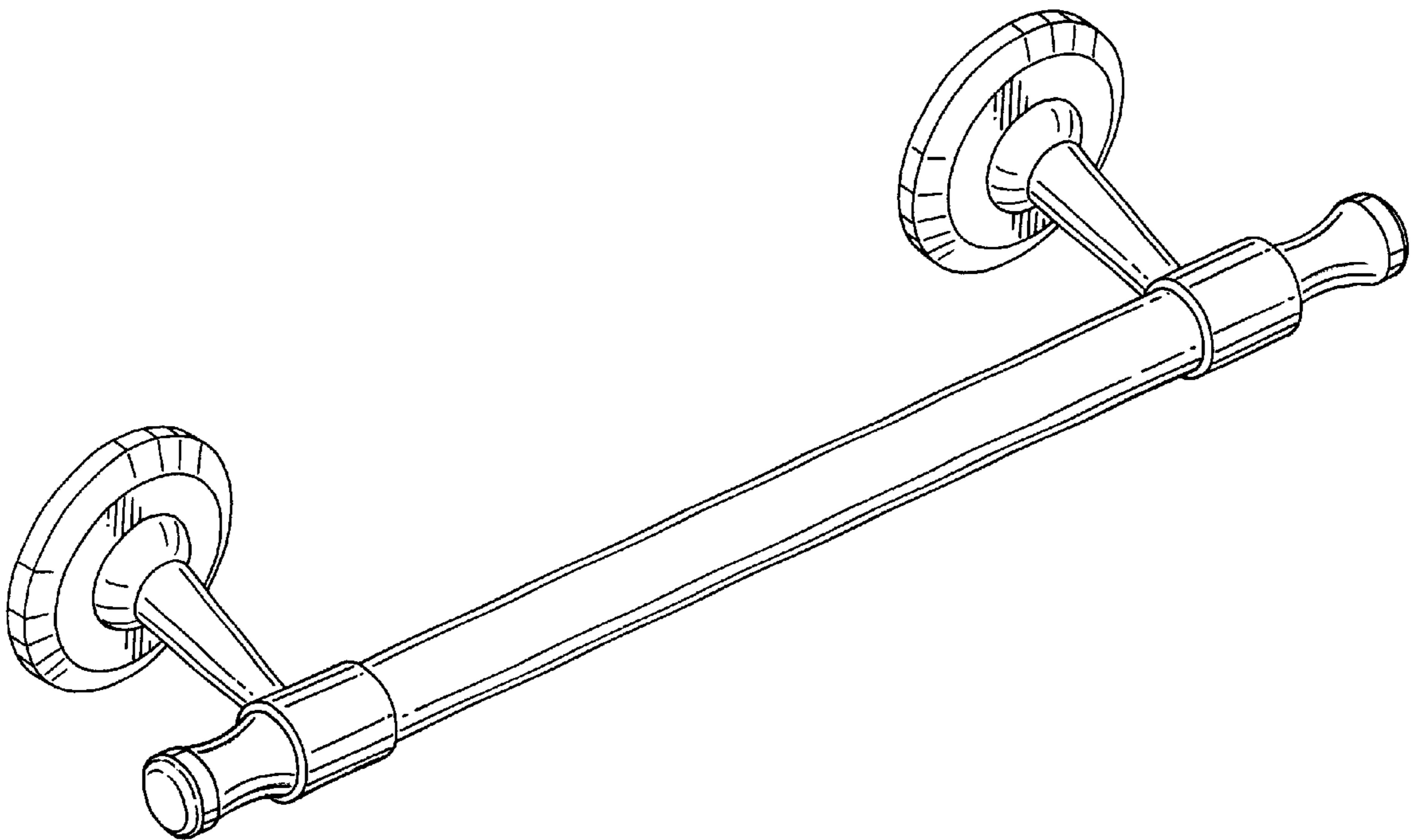
(57) **CLAIM**

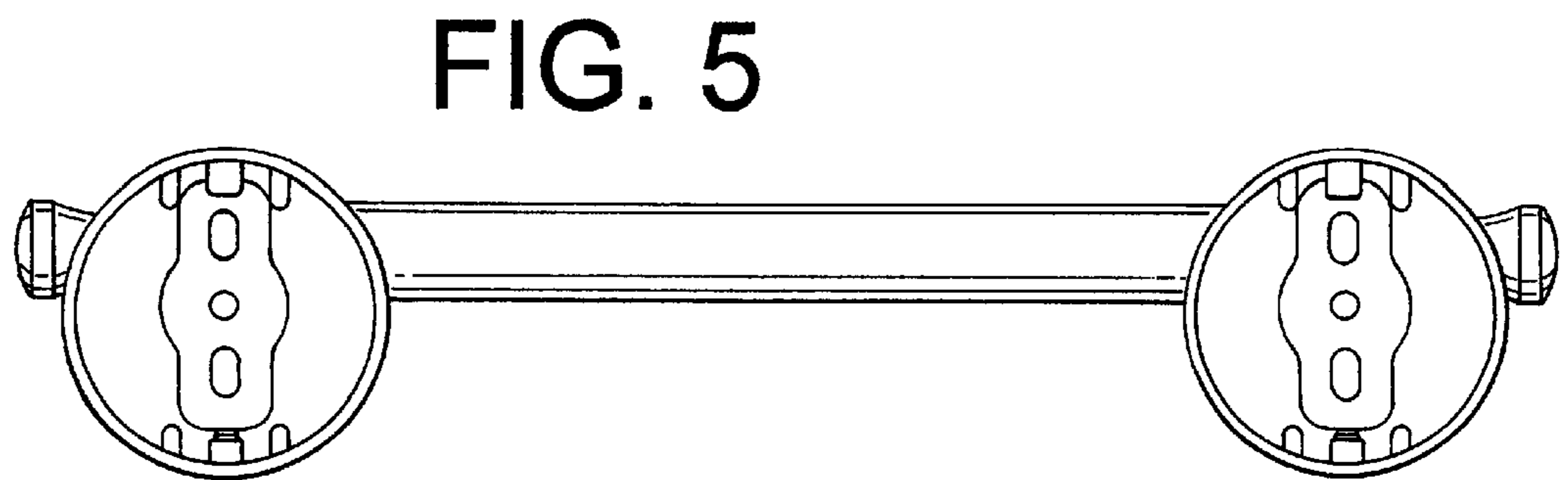
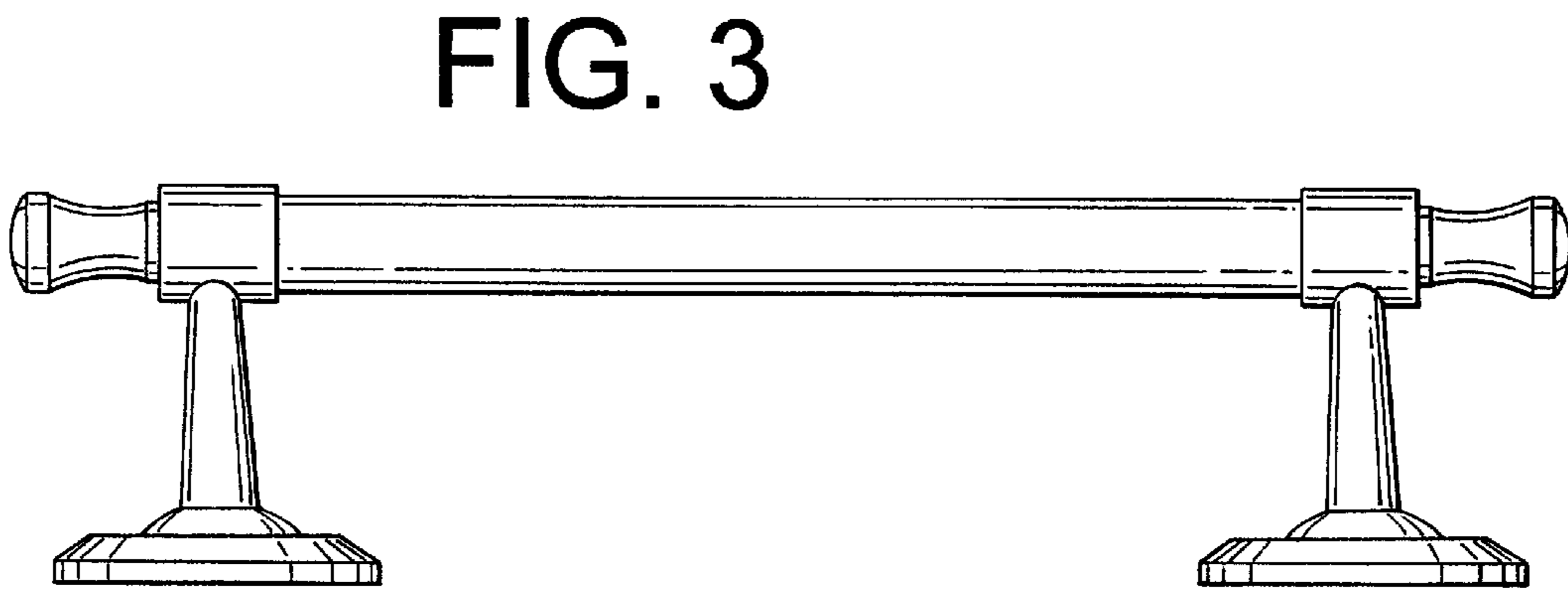
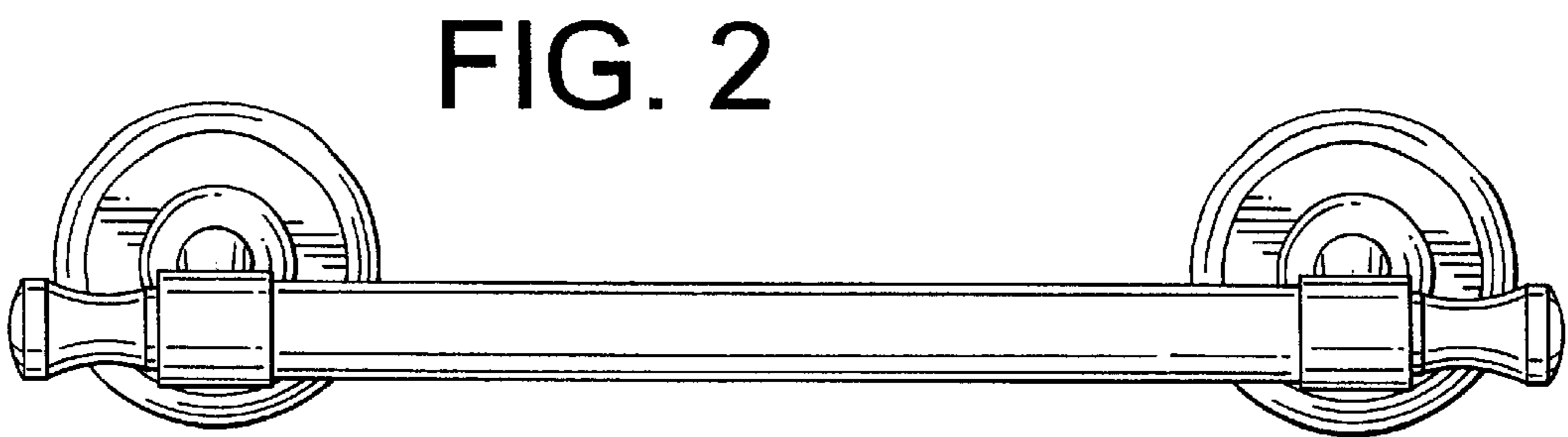
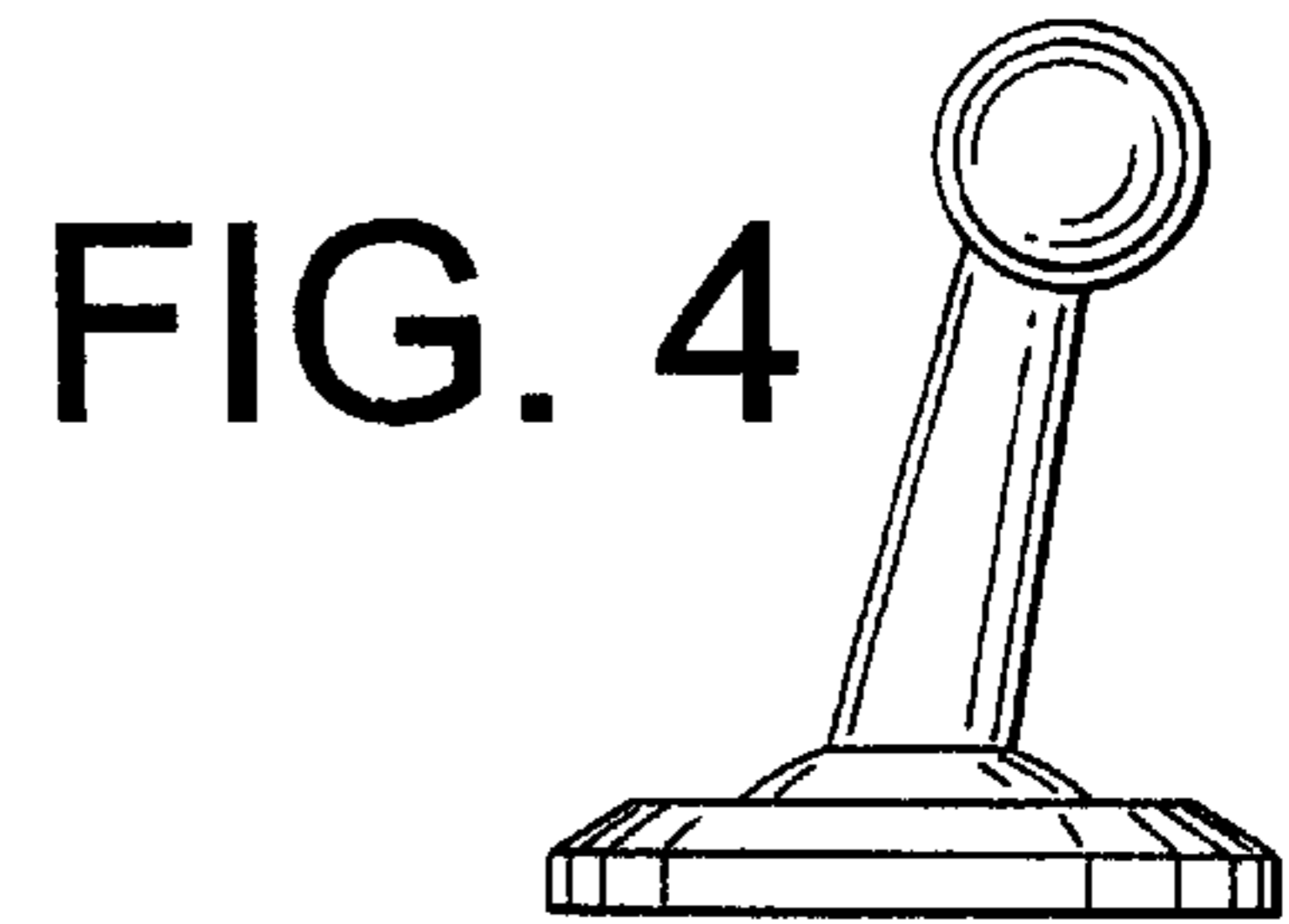
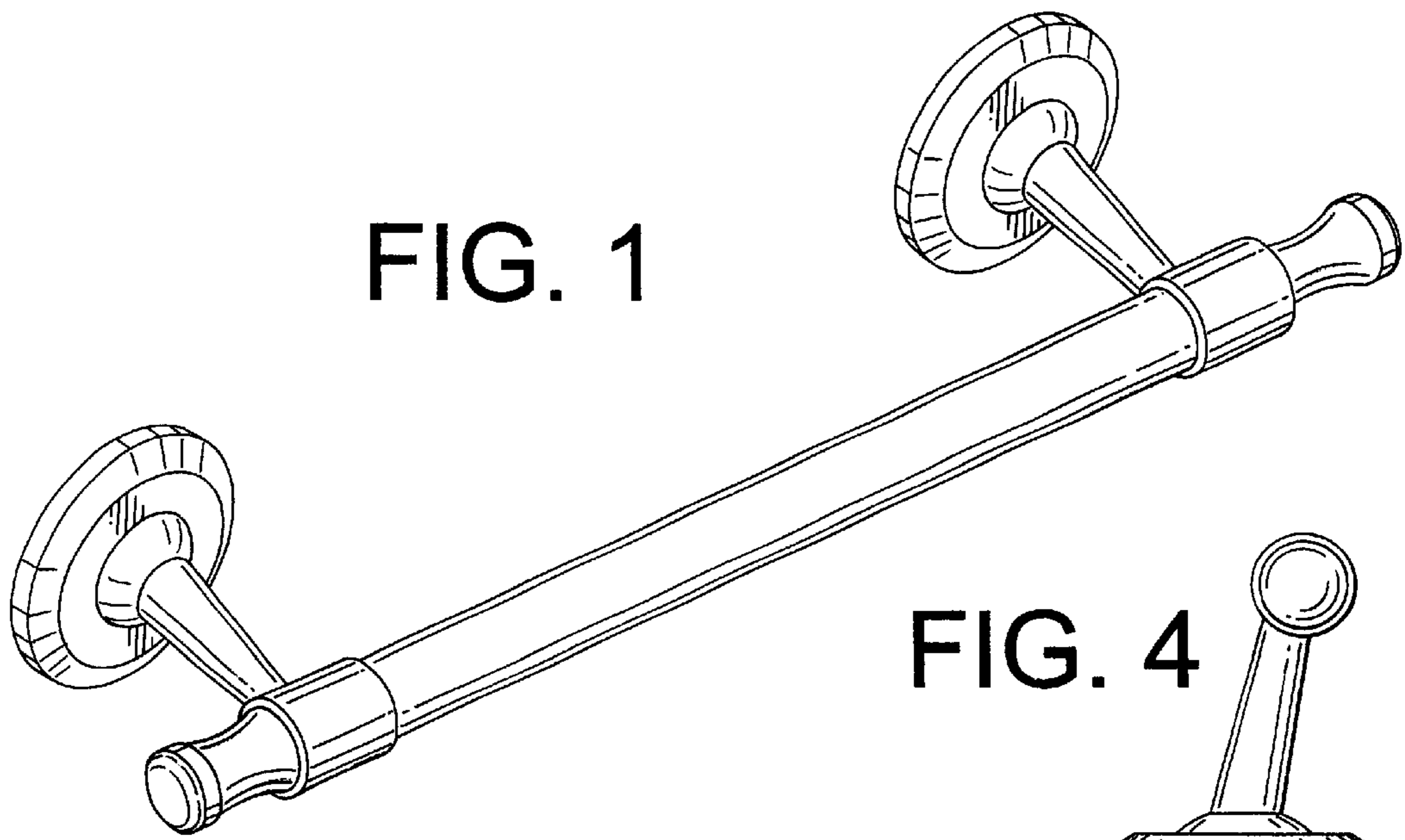
The ornamental design for a towel bar, as shown and described.

DESCRIPTION

FIG. 1 is a perspective view showing our new design.
FIG. 2 is a front view thereof.
FIG. 3 is a bottom view thereof.
FIG. 4 is a side view thereof; and,
FIG. 5 is a back view thereof.

1 Claim, 1 Drawing Sheet





UNITED STATES PATENT AND TRADEMARK OFFICE
CERTIFICATE OF CORRECTION

PATENT NO. : Des. 455,592 S
DATED : April 16, 2002
INVENTOR(S) : Kuo-Chi Yen

Page 1 of 1

It is certified that error appears in the above-identified patent and that said Letters Patent is hereby corrected as shown below:

Title page,

Item [12], delete "**Ou-Young**" and substitute -- **Yen** -- in its place.

Item [75], delete "**Ming Ou-Young,**" and substitute -- **Kuo-Chi Yen,** -- in its place.

Signed and Sealed this

Fourth Day of February, 2003

A handwritten signature in black ink, appearing to read "James E. Rogan", written over a horizontal line.

JAMES E. ROGAN
Director of the United States Patent and Trademark Office