

US00D455590S

(12) **United States Design Patent**  
**Short**

(10) **Patent No.:** **US D455,590 S**

(45) **Date of Patent:** **\*\* Apr. 16, 2002**

(54) **SOAP HOLDER**

(76) Inventor: **Emilia Short**, 6259 Bear Ave. #A, Bell,  
CA (US) 90201

(\*\*) Term: **14 Years**

(21) Appl. No.: **29/141,009**

(22) Filed: **Apr. 27, 2001**

(51) **LOC (7) Cl.** ..... **23-02**

(52) **U.S. Cl.** ..... **D6/538; D6/539**

(58) **Field of Search** ..... **D6/536, 538, 539;**  
**248/309.1, 309.4, 683, 684; 206/77.1**

(56) **References Cited**

**U.S. PATENT DOCUMENTS**

D365,235 S \* 12/1995 Jodwischat ..... D6/538  
D402,146 S \* 12/1998 Moosavi et al. .... D6/538

\* cited by examiner

*Primary Examiner*—Brian N. Vinson

(74) *Attorney, Agent, or Firm*—Goldstein Law Offices, P.C.

(57) **CLAIM**

The ornamental design for a soap holder, as shown and described.

**DESCRIPTION**

FIG. 1 is a perspective view of a soap holder.

FIG. 2 is a top plan view of the soap holder.

FIG. 3 is a bottom plan view thereof.

FIG. 4 is a front elevational view thereof.

FIG. 5 is a rear elevational view thereof.

FIG. 6 is a left side elevational view thereof; and,

FIG. 7 is a right side elevational view thereof.

**1 Claim, 4 Drawing Sheets**

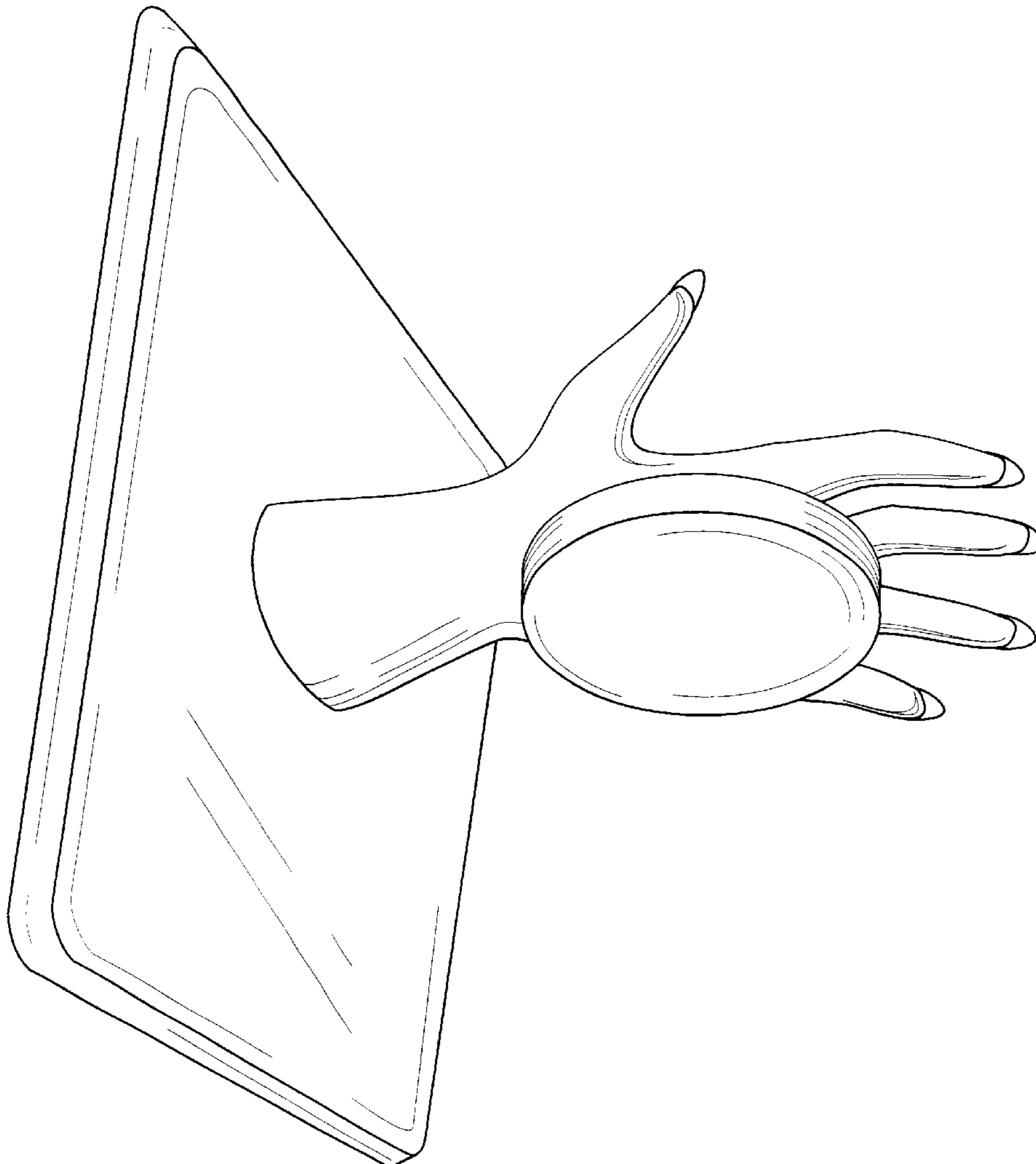


Fig. 1

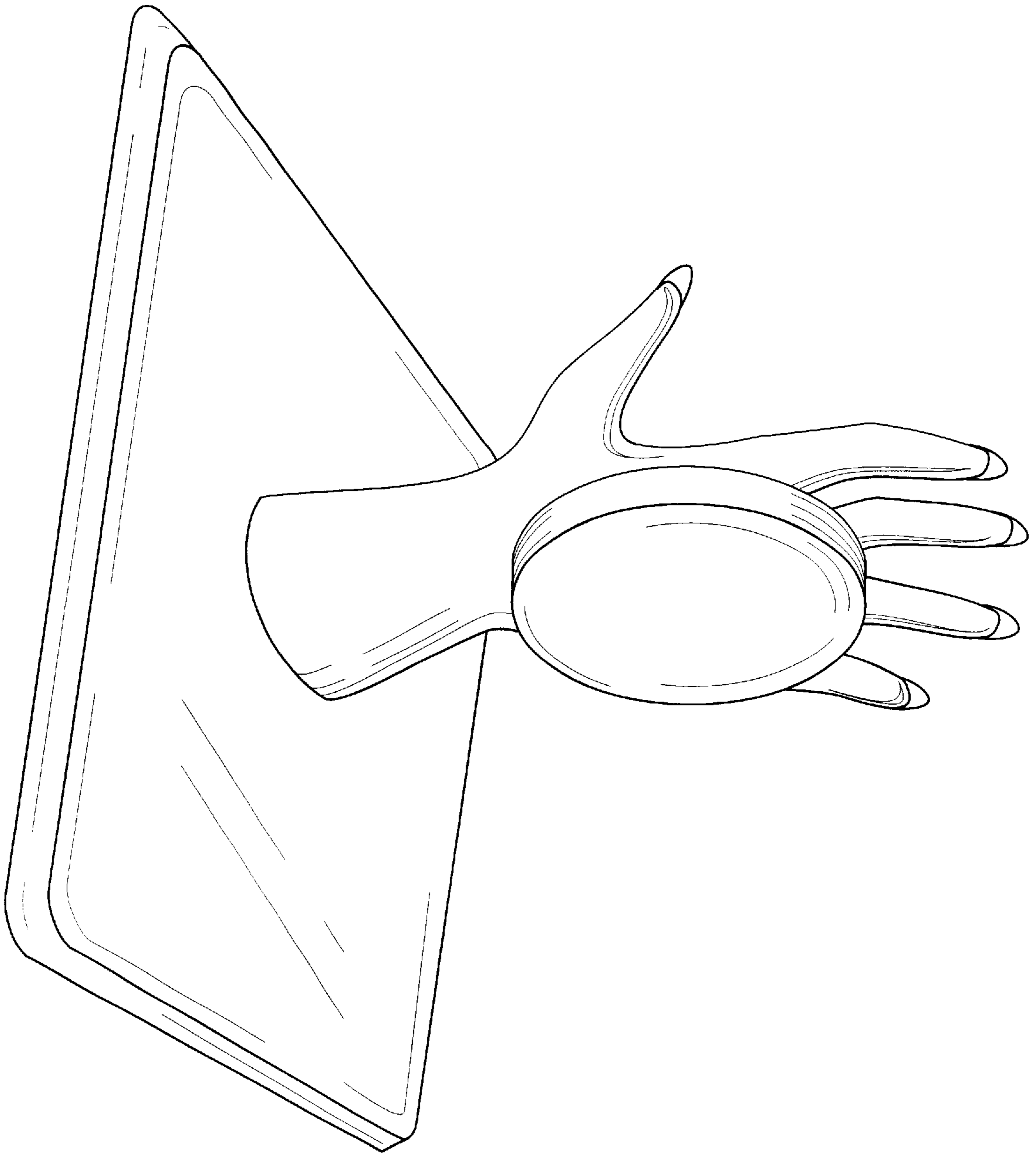


Fig. 2

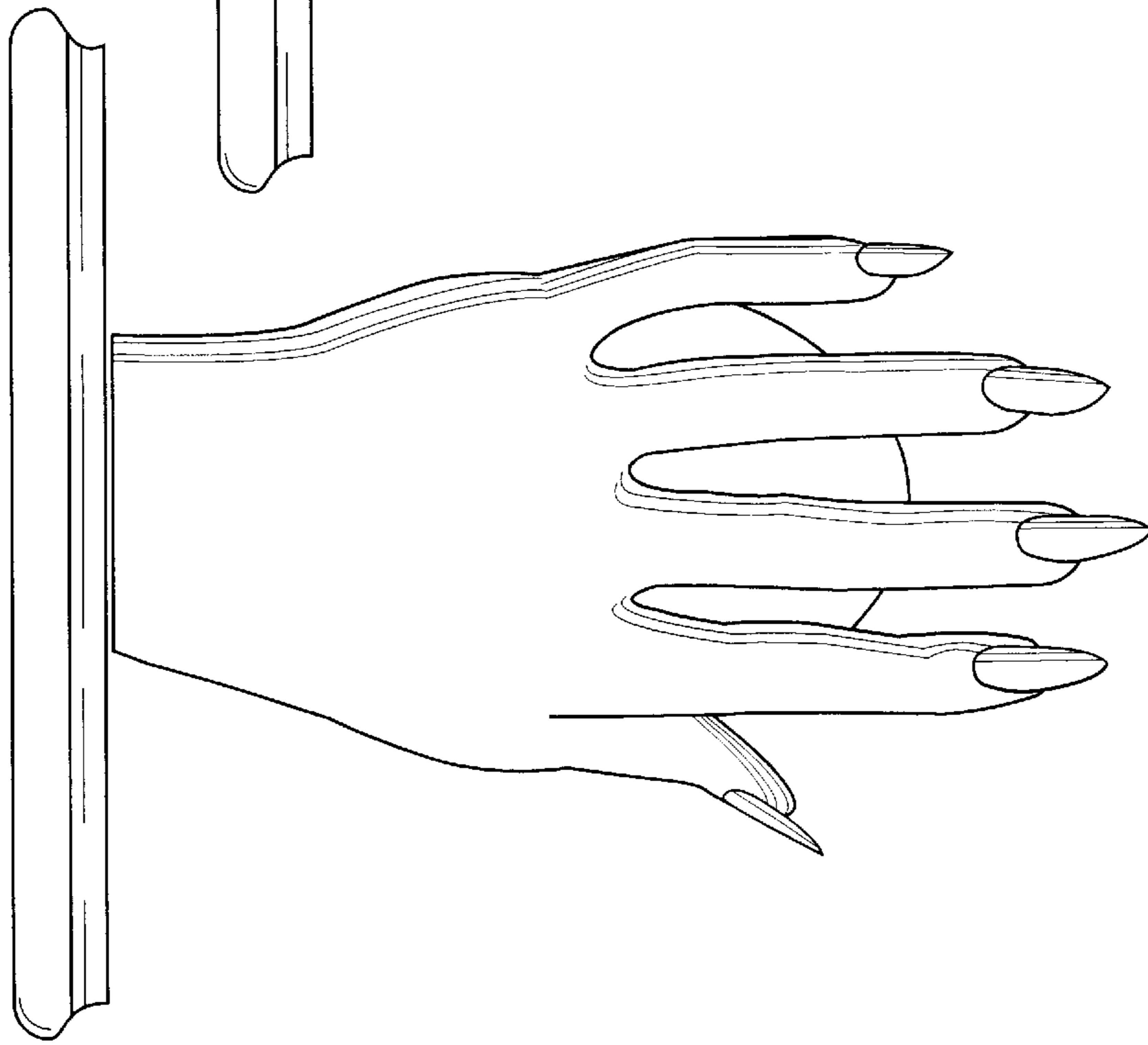
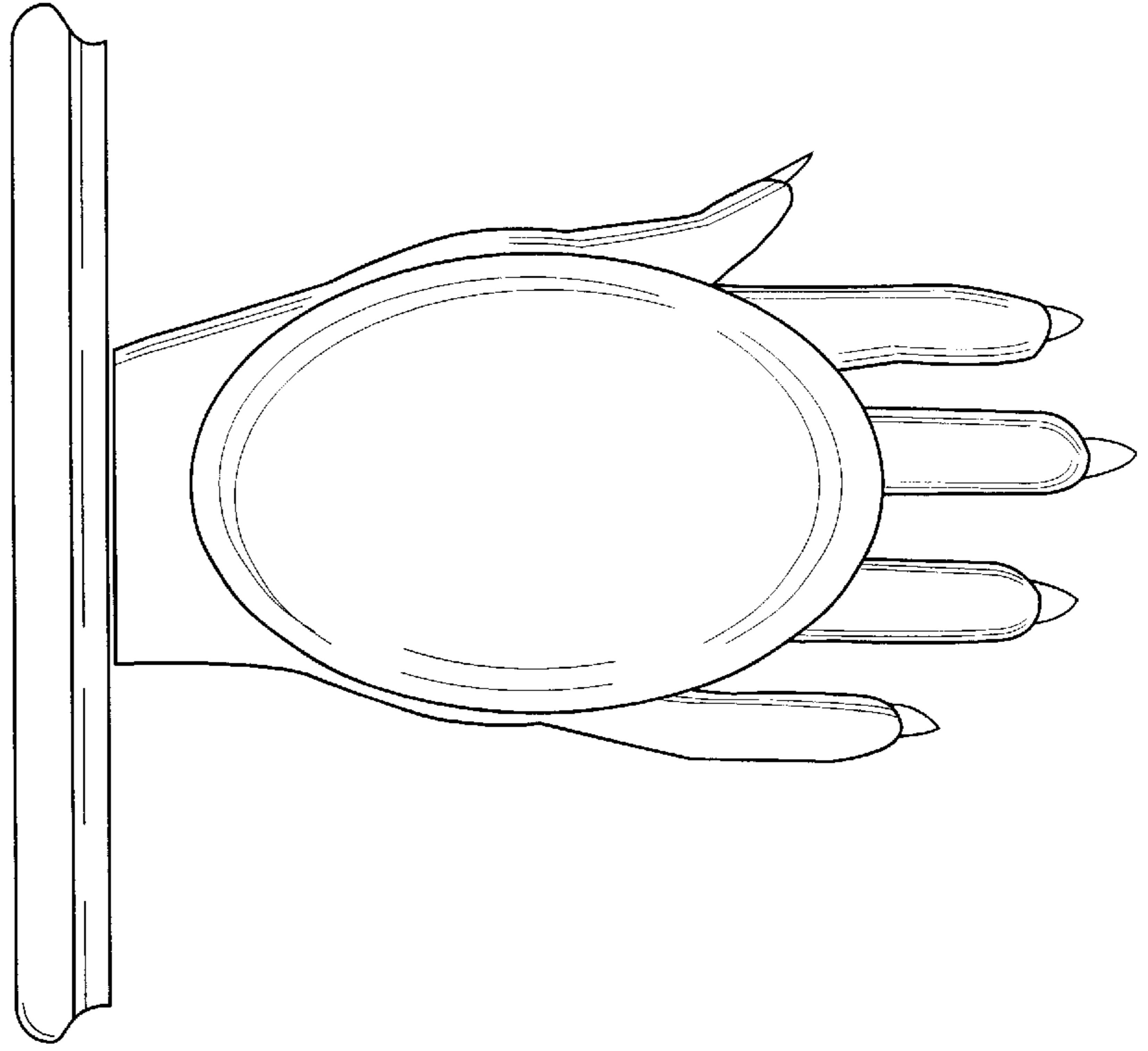


Fig. 3



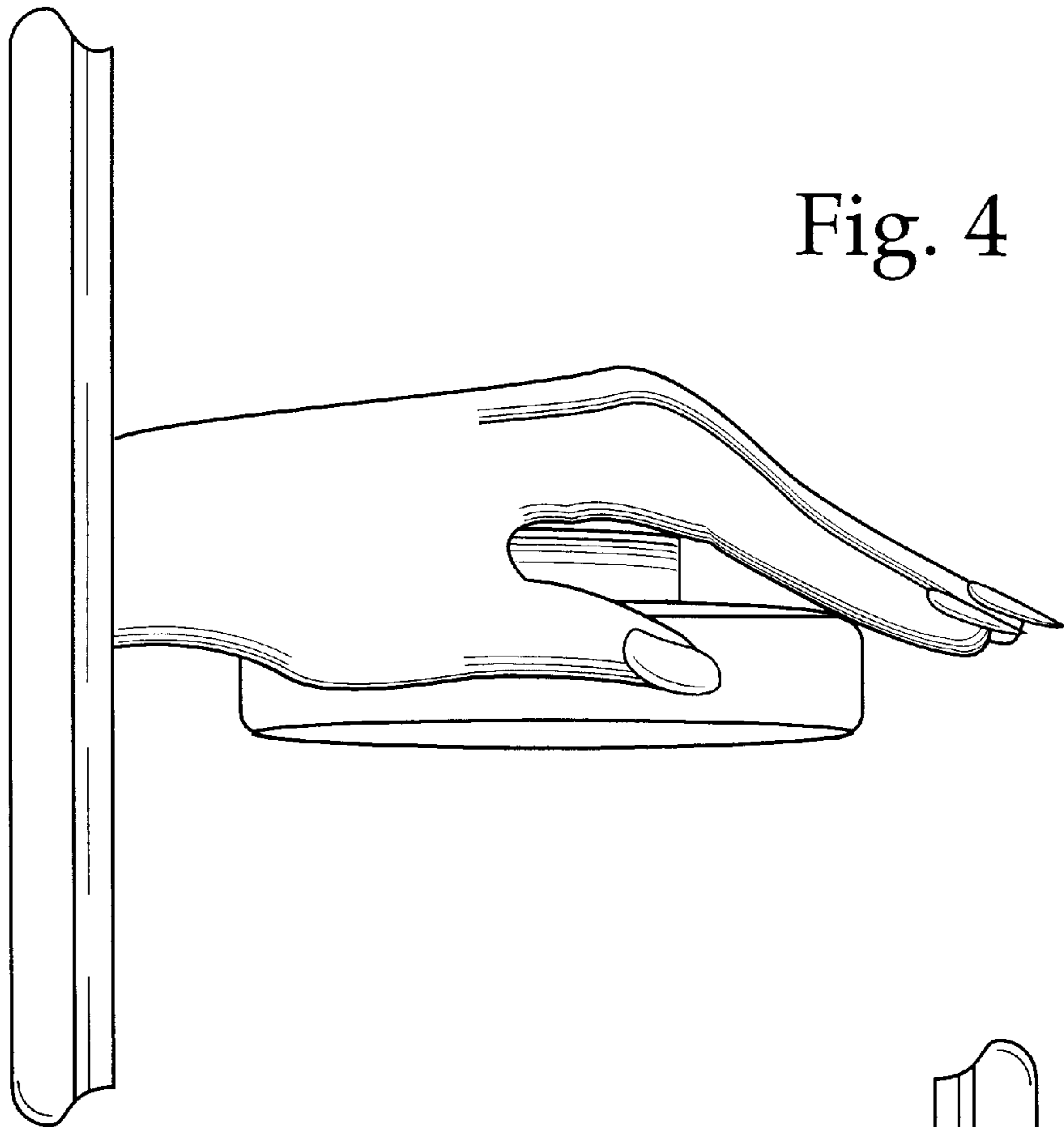


Fig. 4

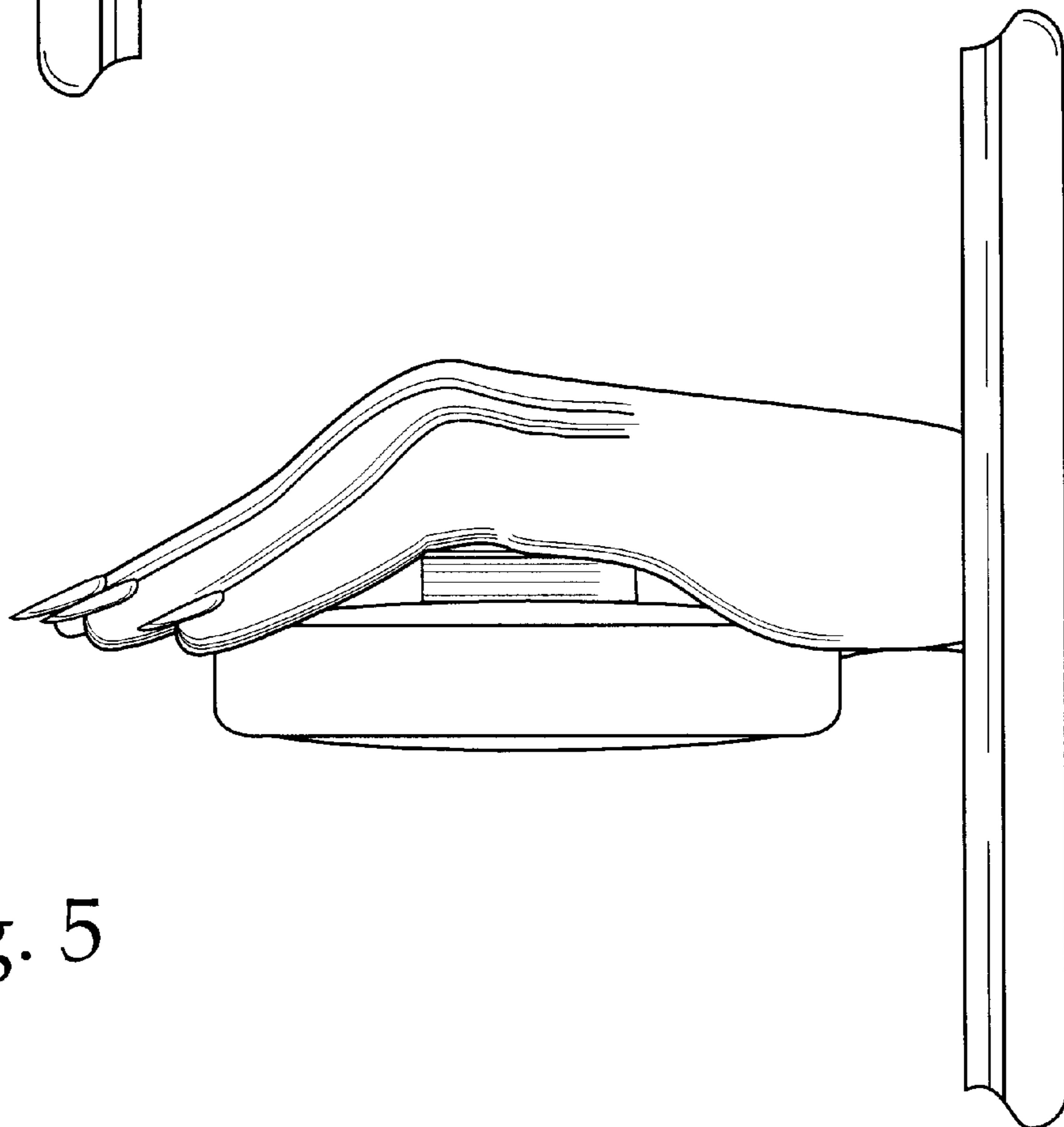


Fig. 5

Fig. 7

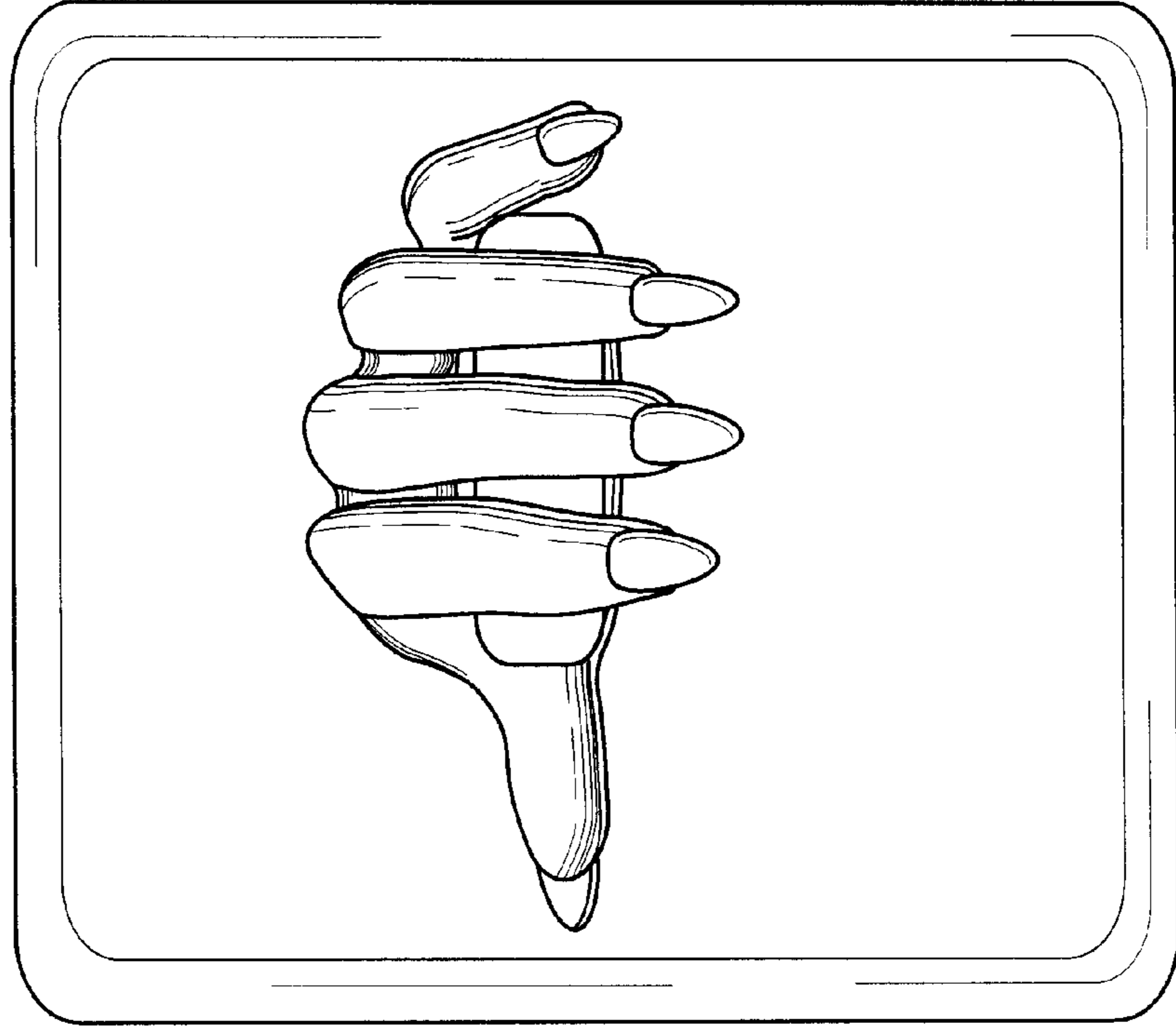


Fig. 6

