



US00D455589S

(12) **United States Design Patent**  
**Hoernig**

(10) **Patent No.:** **US D455,589 S**

(45) **Date of Patent:** **\*\* Apr. 16, 2002**

(54) **TOOTHBRUSH-TUMBLER HOLDER**

D357,376 S \* 4/1995 Cecula ..... D6/531  
D379,895 S \* 6/1997 Hampshire ..... D6/531

(75) Inventor: **Victor Hoernig**, Lowell, IN (US)

\* cited by examiner

(73) Assignee: **Melard Manufacturing Corp.**, Passaic, NJ (US)

*Primary Examiner*—Brian N. Vinson

(\*\*) Term: **14 Years**

(74) *Attorney, Agent, or Firm*—Edgar A. Zarins; Lloyd D. Doigan

(21) Appl. No.: **29/140,488**

(57) **CLAIM**

(22) Filed: **Apr. 19, 2001**

The ornamental design for a toothbrush-tumbler holder, as shown and described.

(51) **LOC (7) Cl.** ..... **23-02**

**DESCRIPTION**

(52) **U.S. Cl.** ..... **D6/531**

(58) **Field of Search** ..... D6/524, 526, 527,  
D6/531, 534, 535; 206/362, 362.1, 362.2,  
362.3

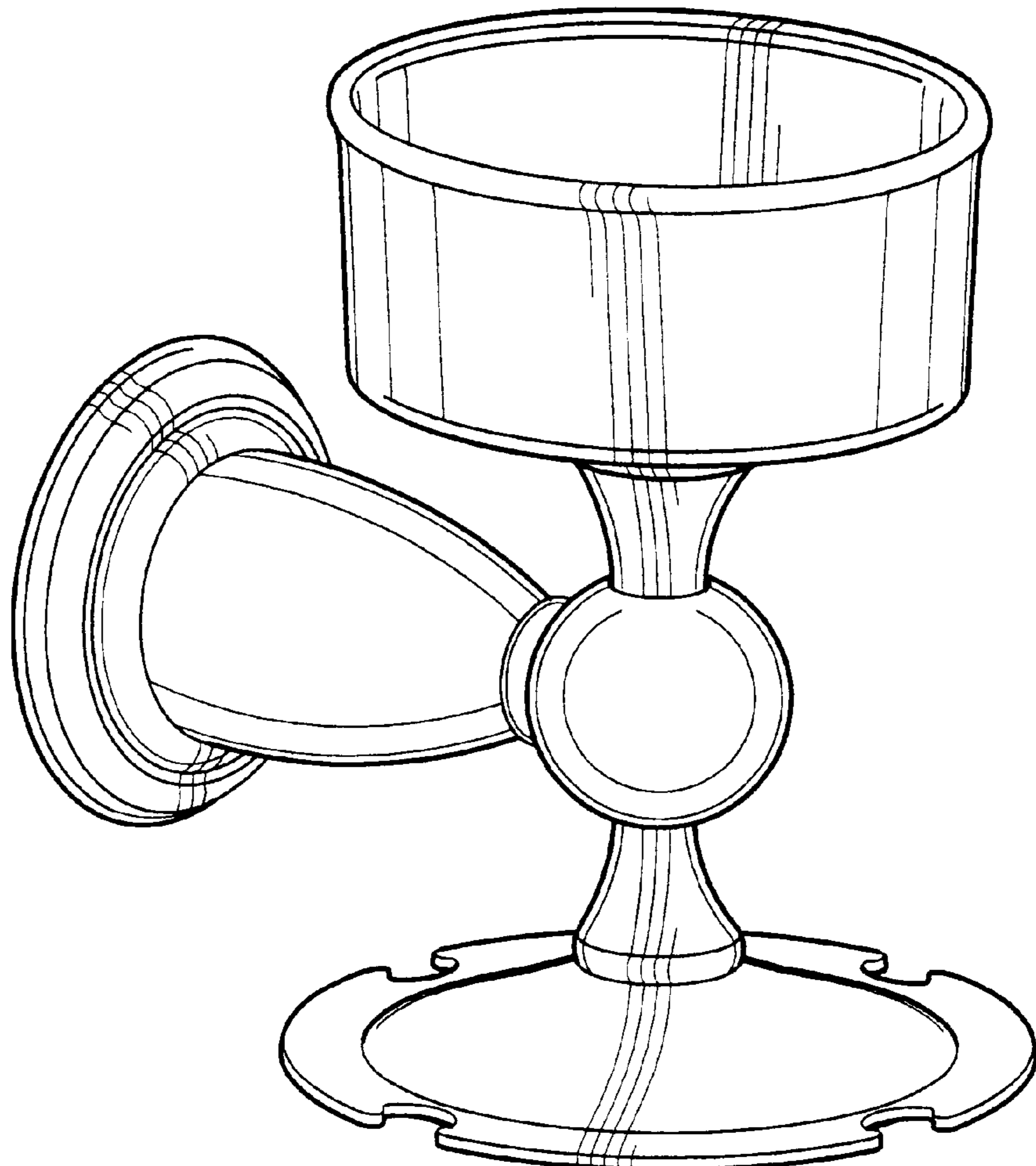
FIG. 1 is a top perspective view of a toothbrush-tumbler holder showing my new design;  
FIG. 2 is a right side view thereof;  
FIG. 3 is a front elevational view thereof;  
FIG. 4 is a left side view thereof;  
FIG. 5 is a rear elevational view thereof;  
FIG. 6 is a top plan view thereof; and,  
FIG. 7 is a bottom plan view thereof.

(56) **References Cited**

**U.S. PATENT DOCUMENTS**

2,642,999 A \* 6/1953 McPherson ..... D6/531 X  
3,867,096 A \* 2/1975 Doucette ..... D6/531 X  
D257,458 S \* 10/1980 Benoit ..... D6/531

**1 Claim, 3 Drawing Sheets**



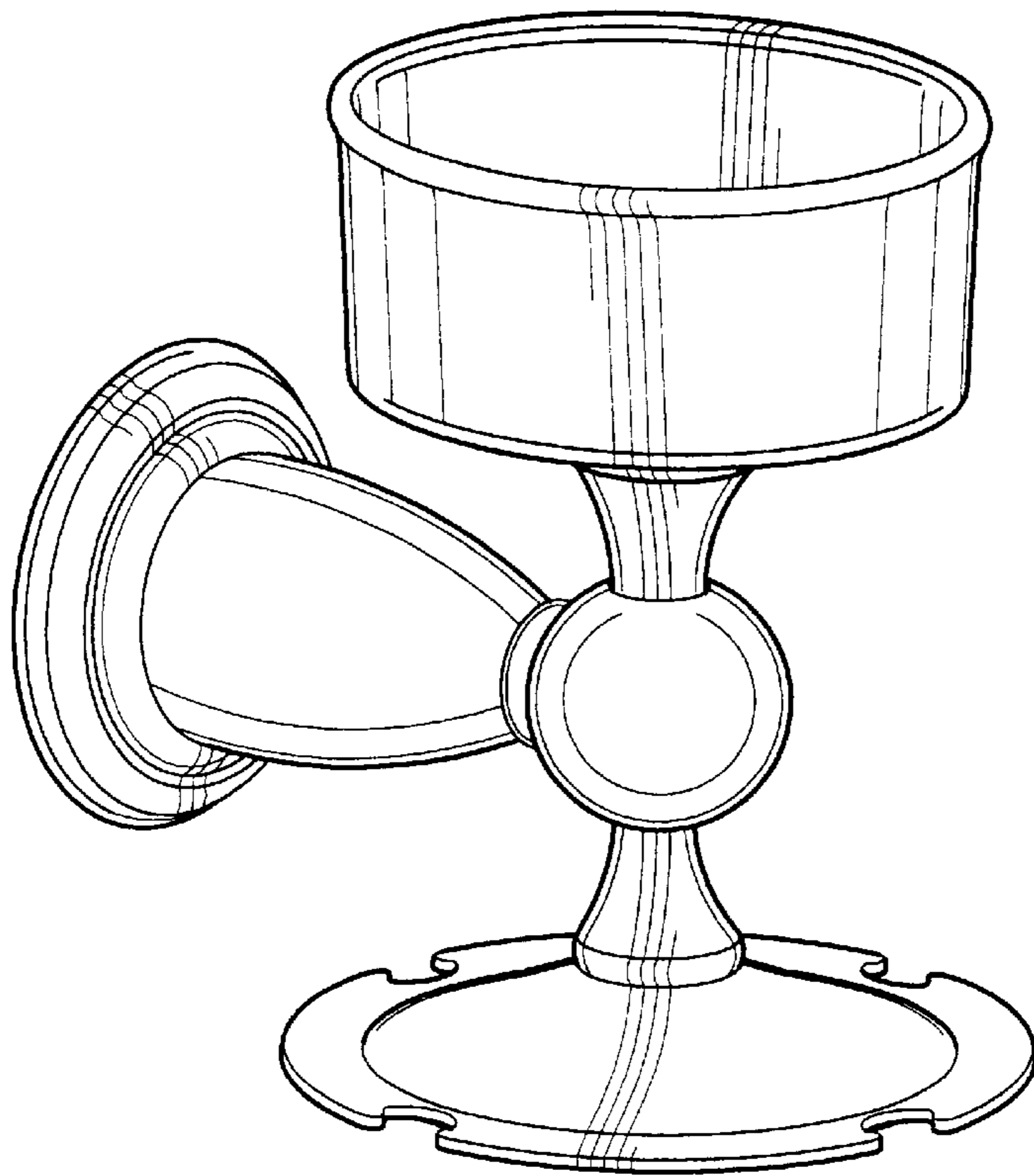


Fig-1

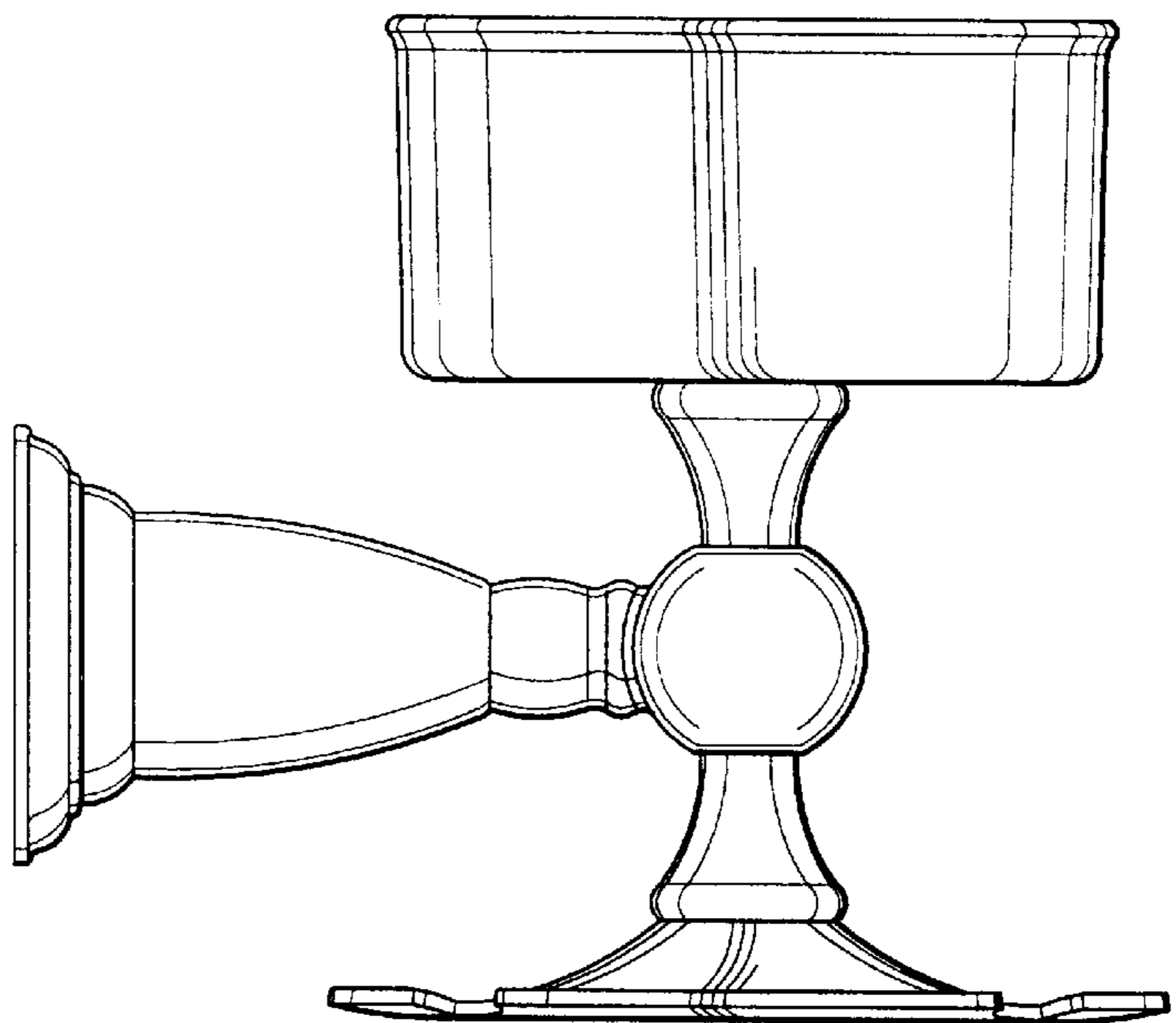


Fig-2

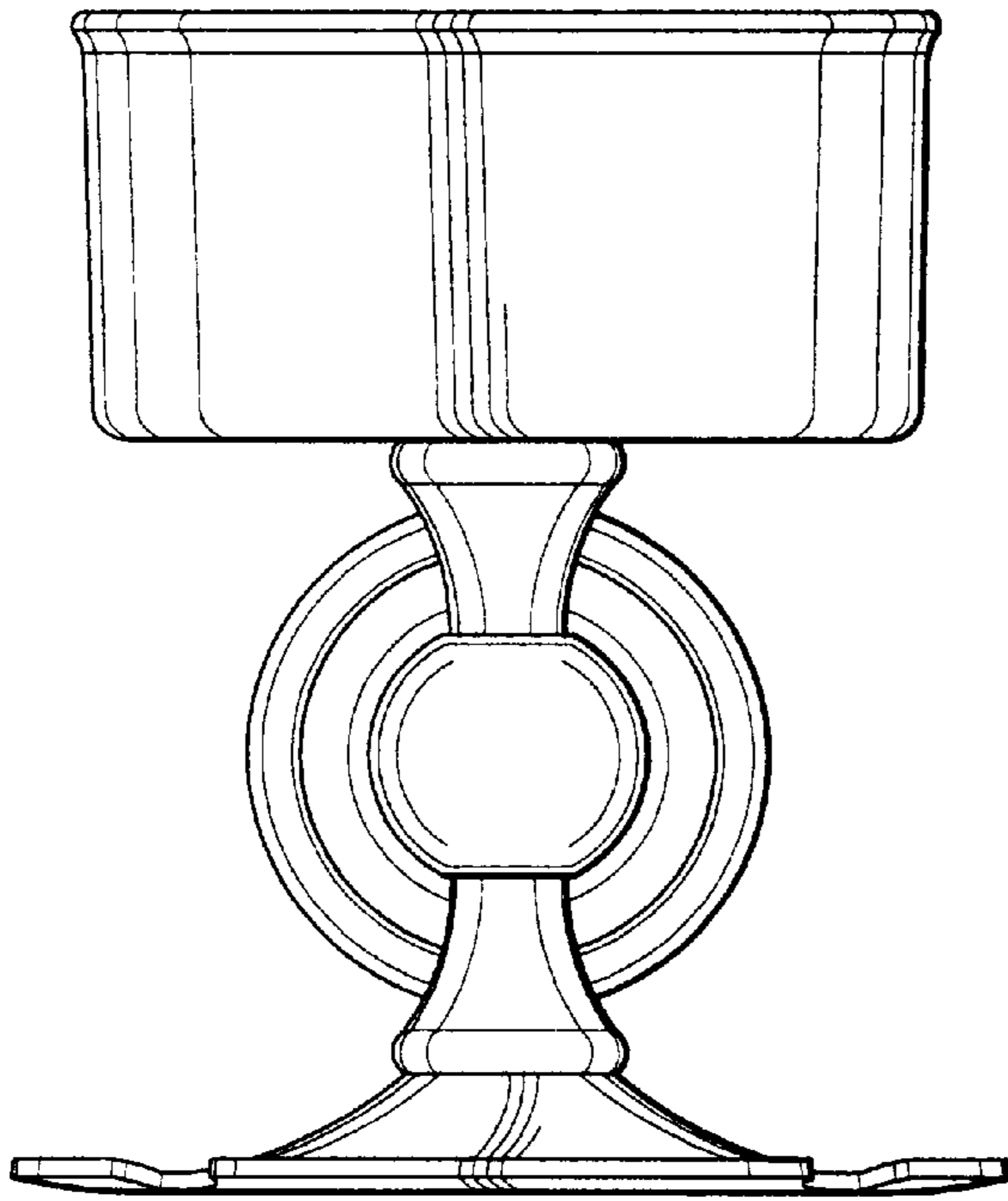


Fig-3

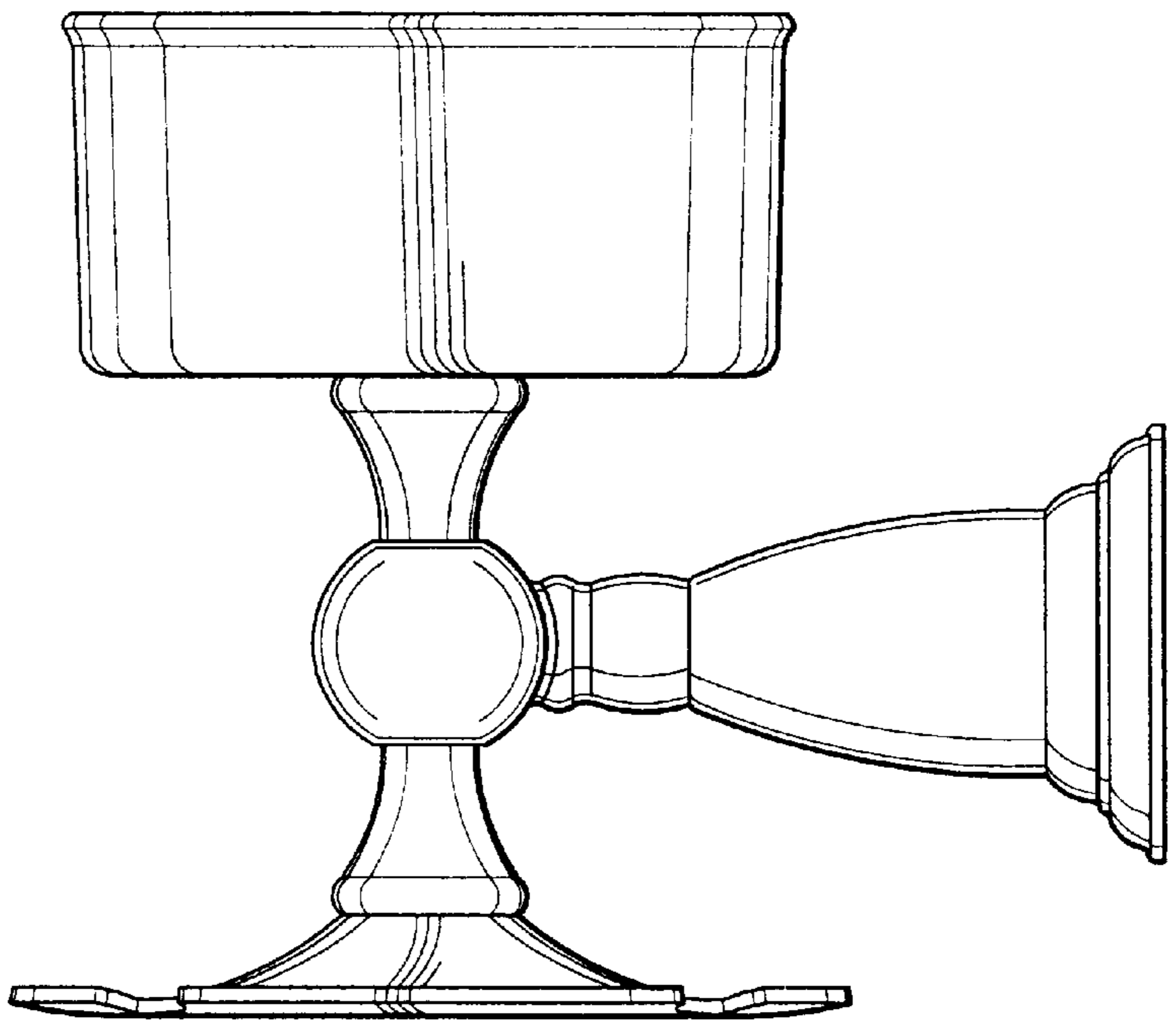


Fig-4

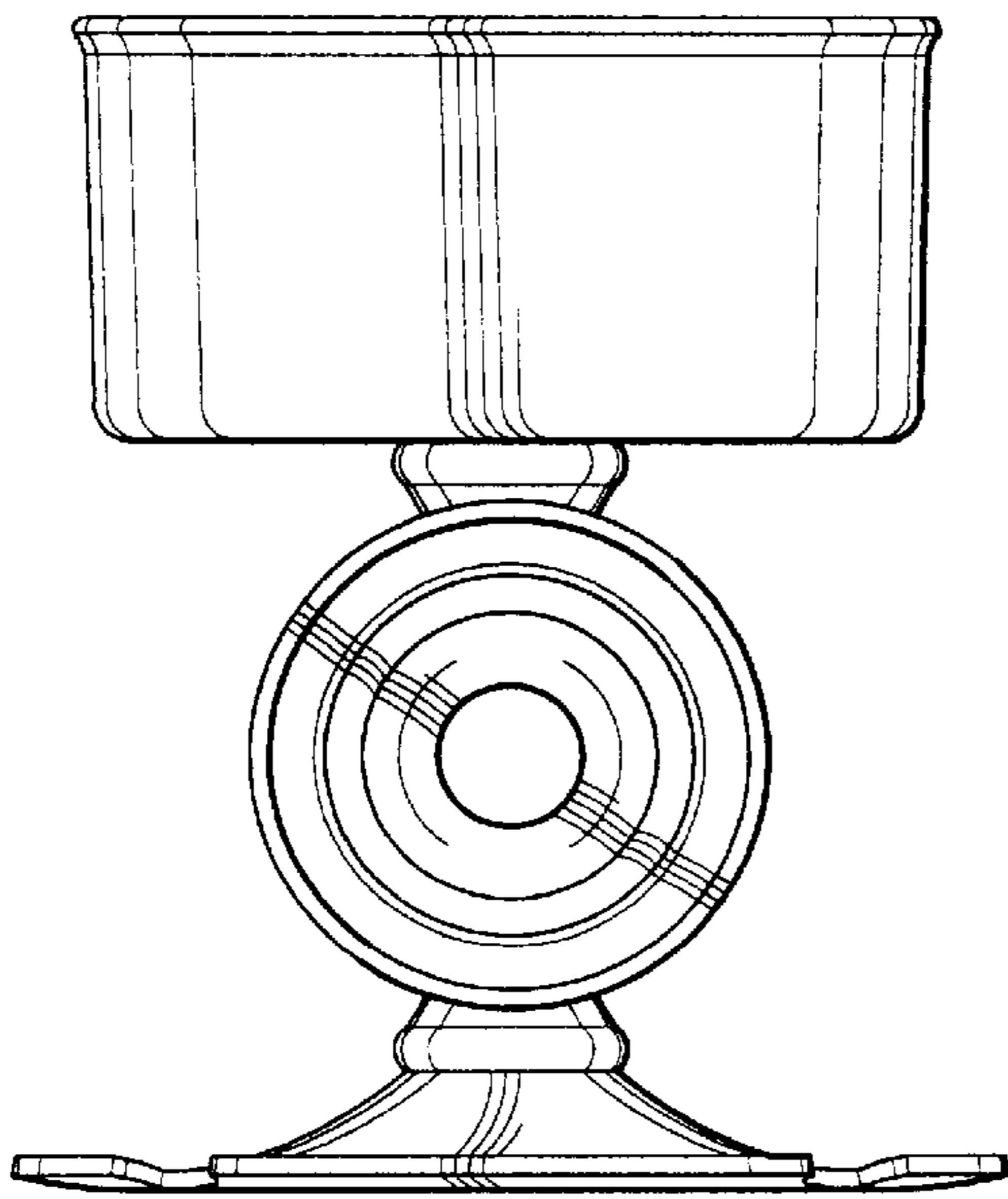


Fig-5

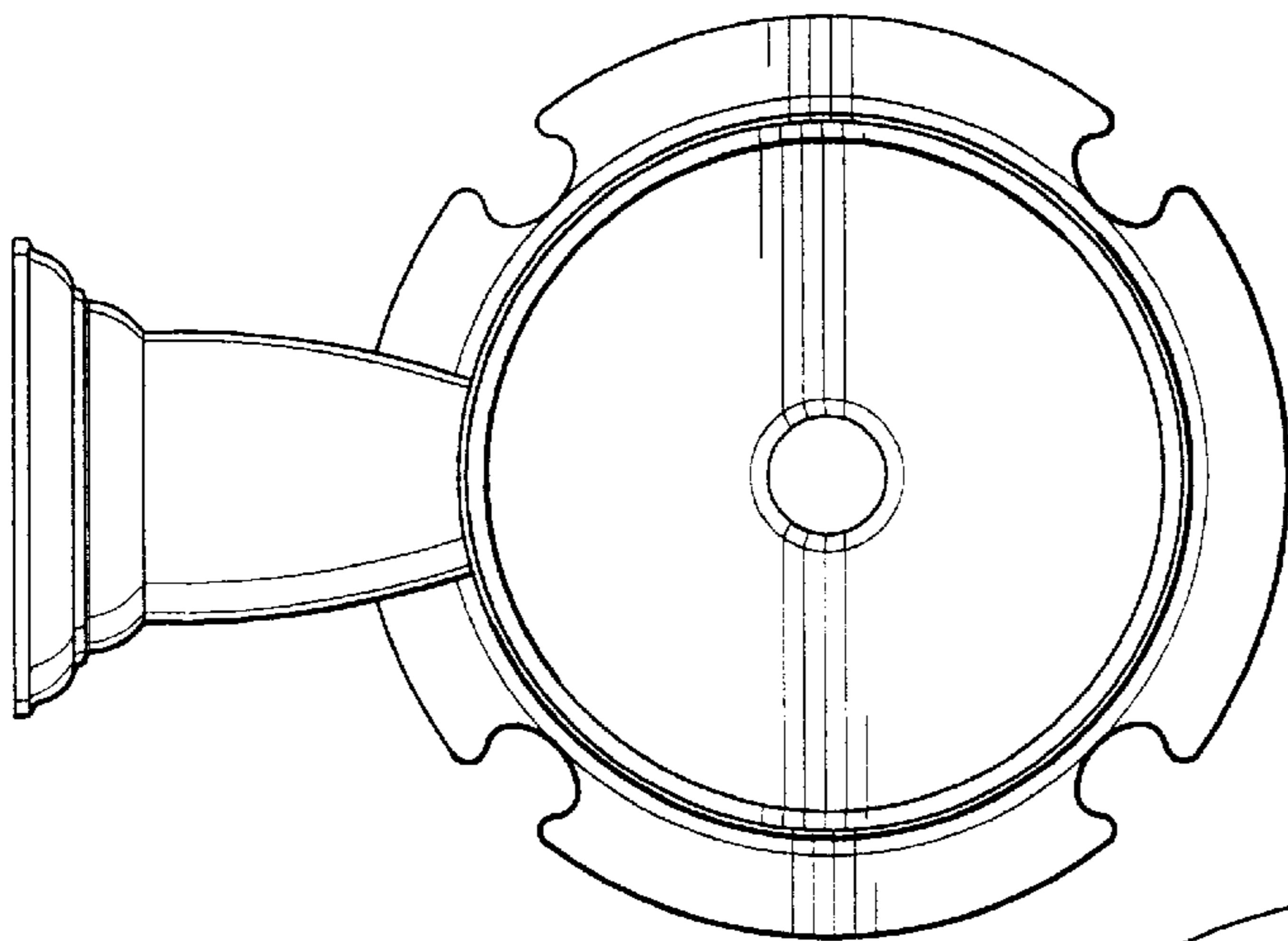


Fig-6

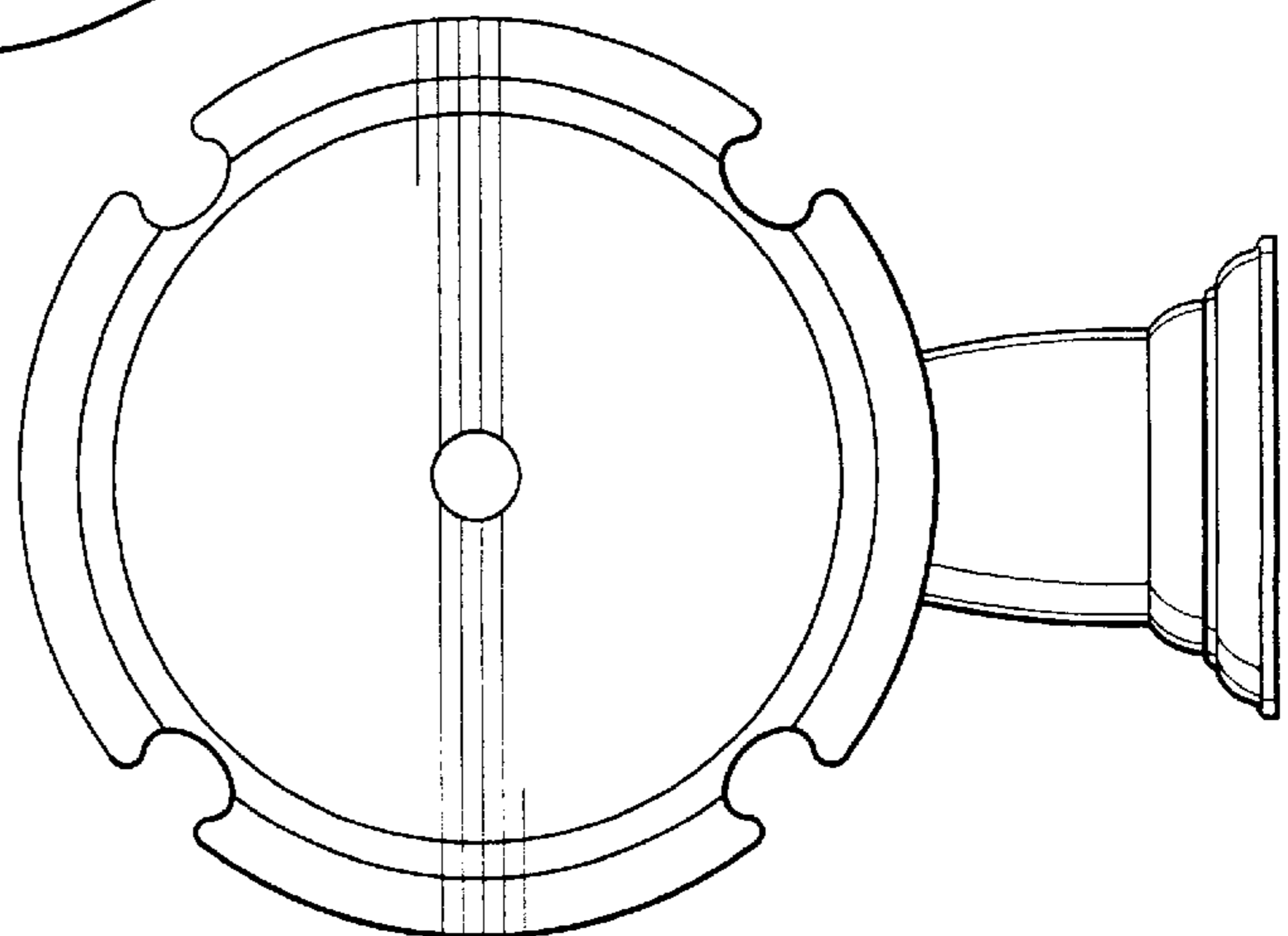


Fig-7