



US00D455585S

(12) **United States Design Patent**
West

(10) **Patent No.:** **US D455,585 S**

(45) **Date of Patent:** **** Apr. 16, 2002**

(54) **EXPANDABLE SHELF**
(75) **Inventor:** **Robert A. West**, Shorewood, MN (US)
(73) **Assignee:** **Westerlund Products Corporation**,
Minnetonka, MN (US)
(**) **Term:** **14 Years**

5,295,596 A	3/1994	Squitieri	211/175
5,423,597 A	6/1995	Rogers	297/440.1
5,553,824 A	9/1996	Dutra, Jr.	238/346.07
5,586,666 A	12/1996	Squitieri	211/175
5,605,238 A	2/1997	Jacobs	211/90
5,762,208 A	6/1998	Yeh	211/40
6,142,321 A	11/2000	West	211/153
D444,656 S	* 7/2001	West	D6/511
D445,620 S	* 7/2001	West	D6/511

(21) **Appl. No.:** **29/128,612**
(22) **Filed:** **Aug. 28, 2000**
(51) **LOC (7) Cl.** **06-04**
(52) **U.S. Cl.** **D6/511**
(58) **Field of Search** D6/511, 574; 108/54.1,
108/102; 211/72, 86.01, 88.01, 88.02, 88.03,
90.01, 90.02, 126.1, 134

* cited by examiner

Primary Examiner—Brian N. Vinson
(74) *Attorney, Agent, or Firm*—Schwegman, Lundberg,
Woessner & Kluth, P.A.

(57) **CLAIM**

The ornamental design for an expandable shelf, as shown and described.

(56) **References Cited**

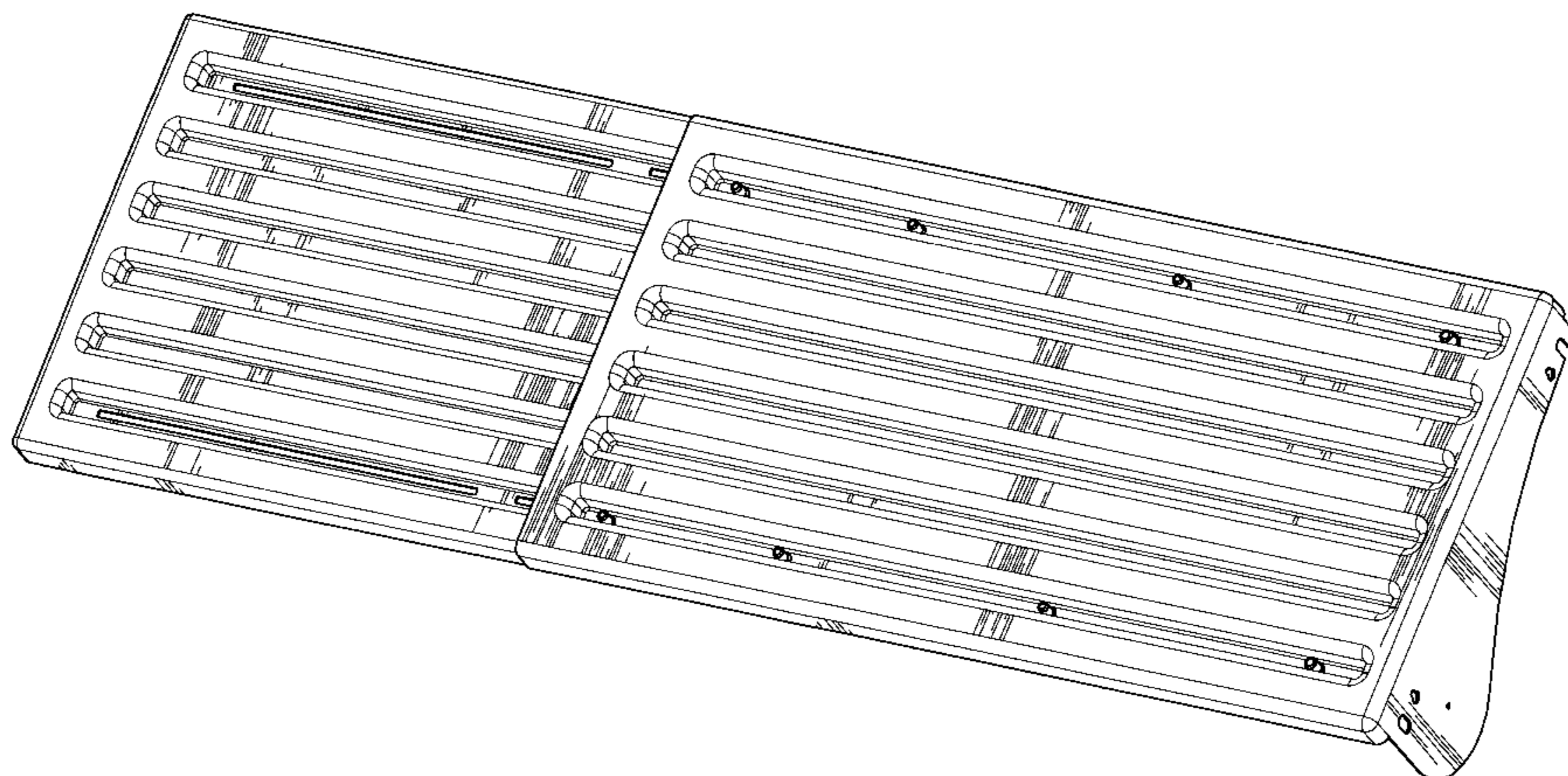
U.S. PATENT DOCUMENTS

204,237 A	5/1878	Miller et al.	
330,380 A	11/1885	Cregmile	
563,467 A	7/1896	Farwell	
622,666 A	4/1899	Burwell	
779,262 A	1/1905	Burke	
934,148 A	9/1909	Duff	
1,682,060 A	8/1928	Banks	
1,690,910 A	* 11/1928	Shapiro	211/88.02 X
2,205,730 A	6/1940	Morgan	189/34
2,294,595 A	9/1942	Dice	211/43
2,545,844 A	3/1951	Cougias	211/43
2,720,316 A	* 10/1955	Glascott	211/123 X
2,888,305 A	5/1959	Perry	311/41
3,650,588 A	3/1972	Helland	312/306
3,836,218 A	9/1974	Hallal	312/111
D242,752 S	* 12/1976	Palmer	D6/574
4,036,369 A	7/1977	Eisenberg	211/88
4,106,735 A	8/1978	Partain et al.	248/119 R
4,155,312 A	* 5/1979	Thorkildson	D6/574 X
4,192,562 A	3/1980	Bishoff et al.	312/108
4,470,647 A	9/1984	Bishoff et al.	312/111
4,478,337 A	* 10/1984	Flum	211/126.1 X
4,535,896 A	8/1985	Evenson	211/41
4,553,523 A	11/1985	Stohrer, Jr.	126/9 B
4,696,406 A	9/1987	Karashima et al.	211/153
4,723,665 A	2/1988	Benedict et al.	211/168
4,938,365 A	7/1990	Conway et al.	211/50

DESCRIPTION

FIG. 1 is a perspective view of an expandable shelf, incorporating the new design;
FIG. 2 is a top plan of the expandable shelf of FIG. 1;
FIG. 3 is a front elevation of the expandable shelf of FIG. 1;
FIG. 4 is a bottom plan of the expandable shelf of FIG. 1;
FIG. 5 is a rear elevation of the expandable shelf of FIG. 1;
FIG. 6 is a right-side elevation of the expandable shelf of FIG. 1;
FIG. 7 is a left-side elevation of the expandable shelf of FIG. 1;
FIG. 8 is a partial cross-sectional view of a part of the expandable shelf of FIG. 1, showing the structure cut at line 8—8 only, without showing structure behind line 8—8, for clarity;
FIG. 9 is a partial cross-sectional view of a part of the expandable shelf of FIG. 1, showing the structure cut at line 9—9 only, without showing structure behind line 9—9, for clarity;
FIG. 10 is a perspective view of an alternative position of the expandable shelf of FIG. 1; and,
FIG. 11 is a top plan of a second embodiment of an expandable shelf, an expandable shelf of indeterminate length incorporating the new design.

1 Claim, 6 Drawing Sheets



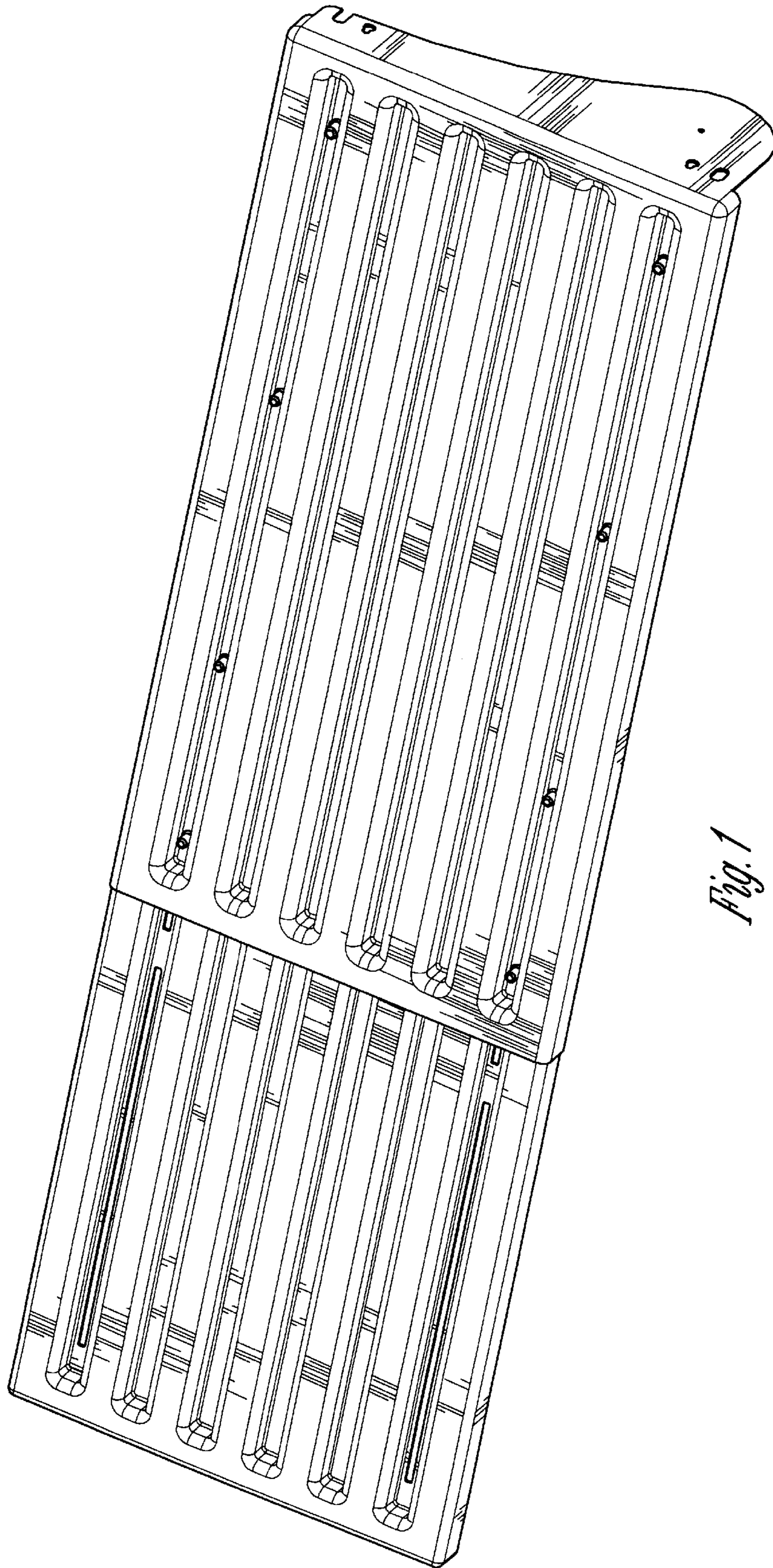


Fig. 1

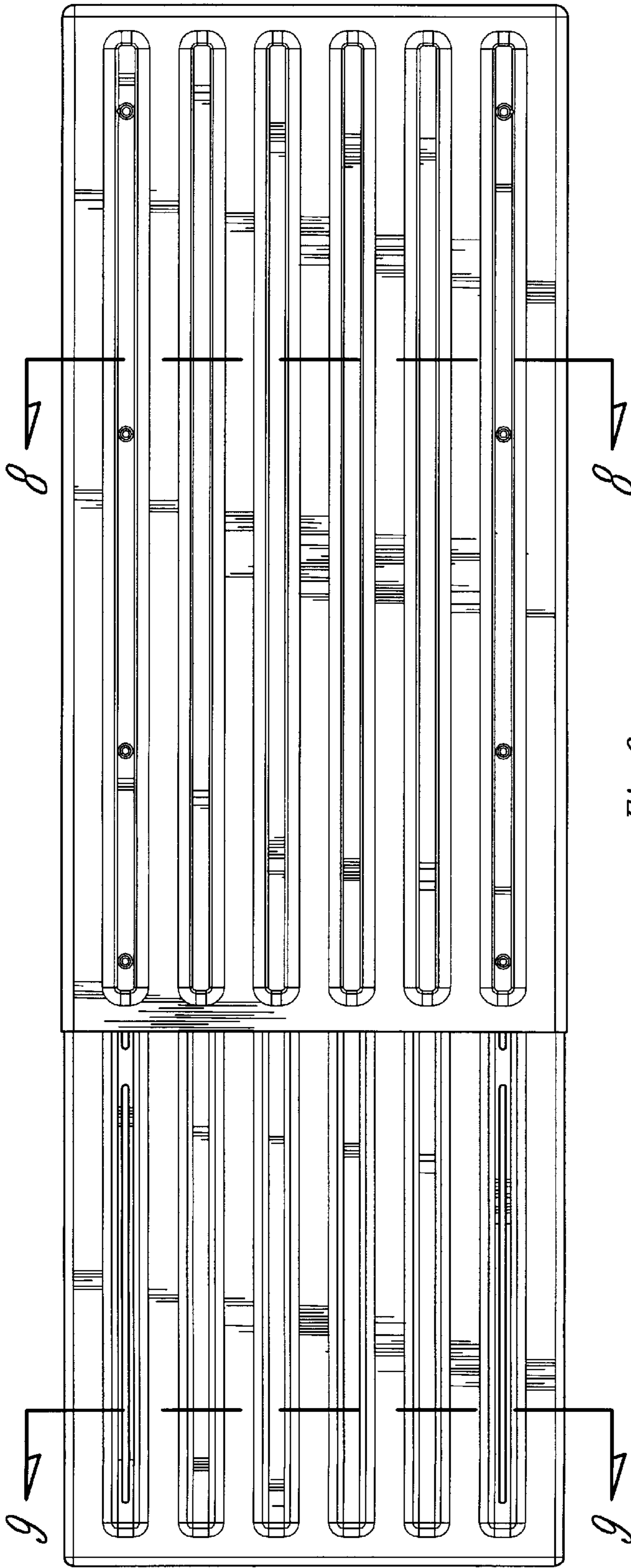


Fig. 2

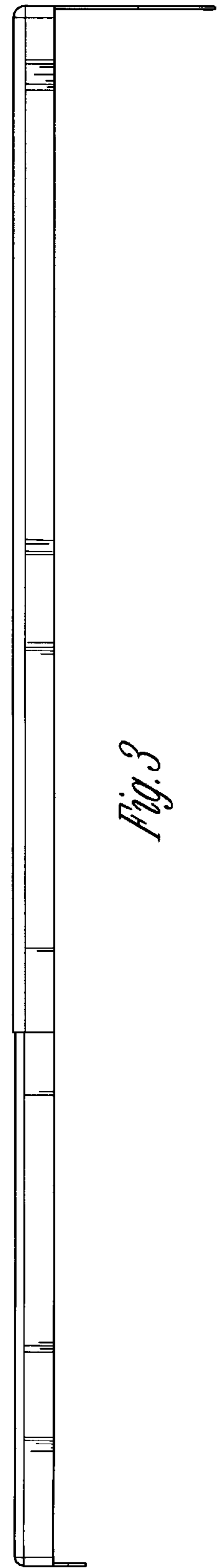


Fig. 3

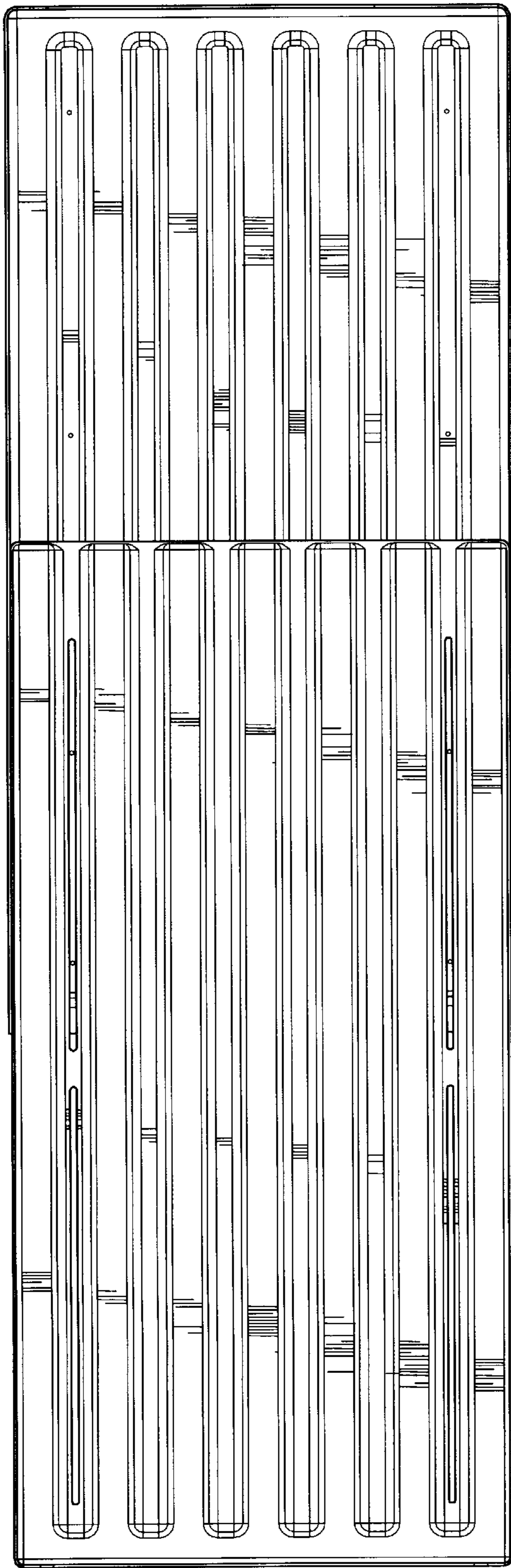


Fig. 4

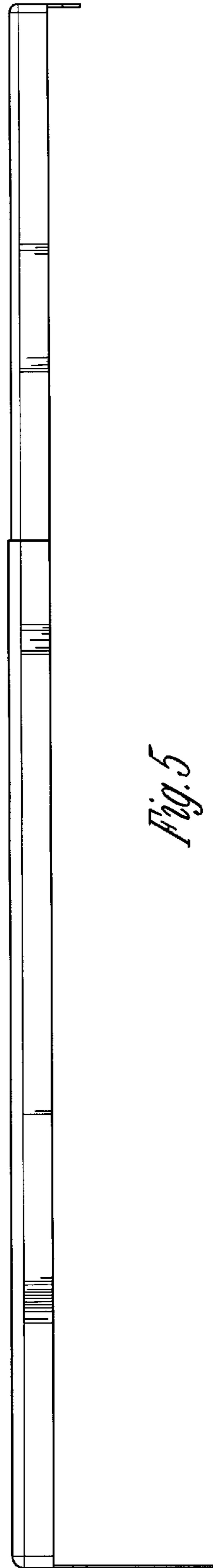


Fig. 5

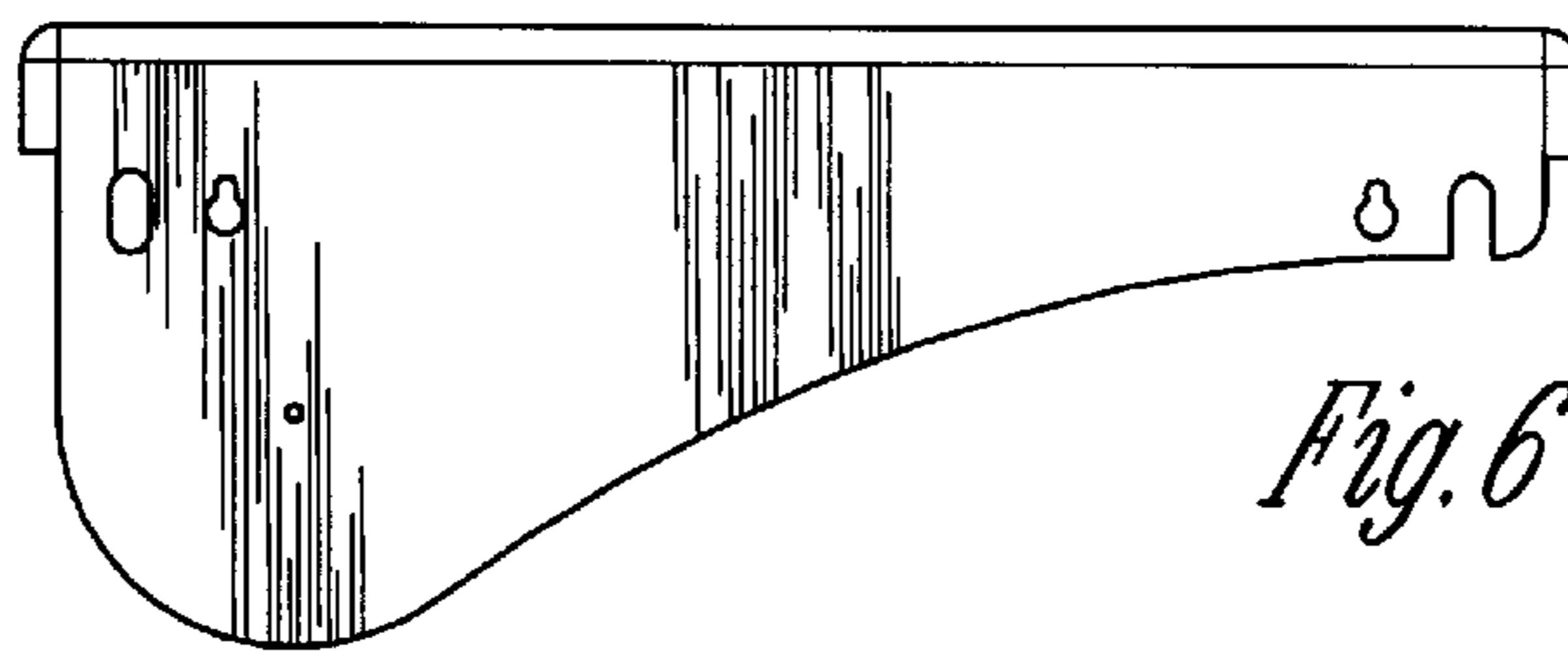


Fig. 6

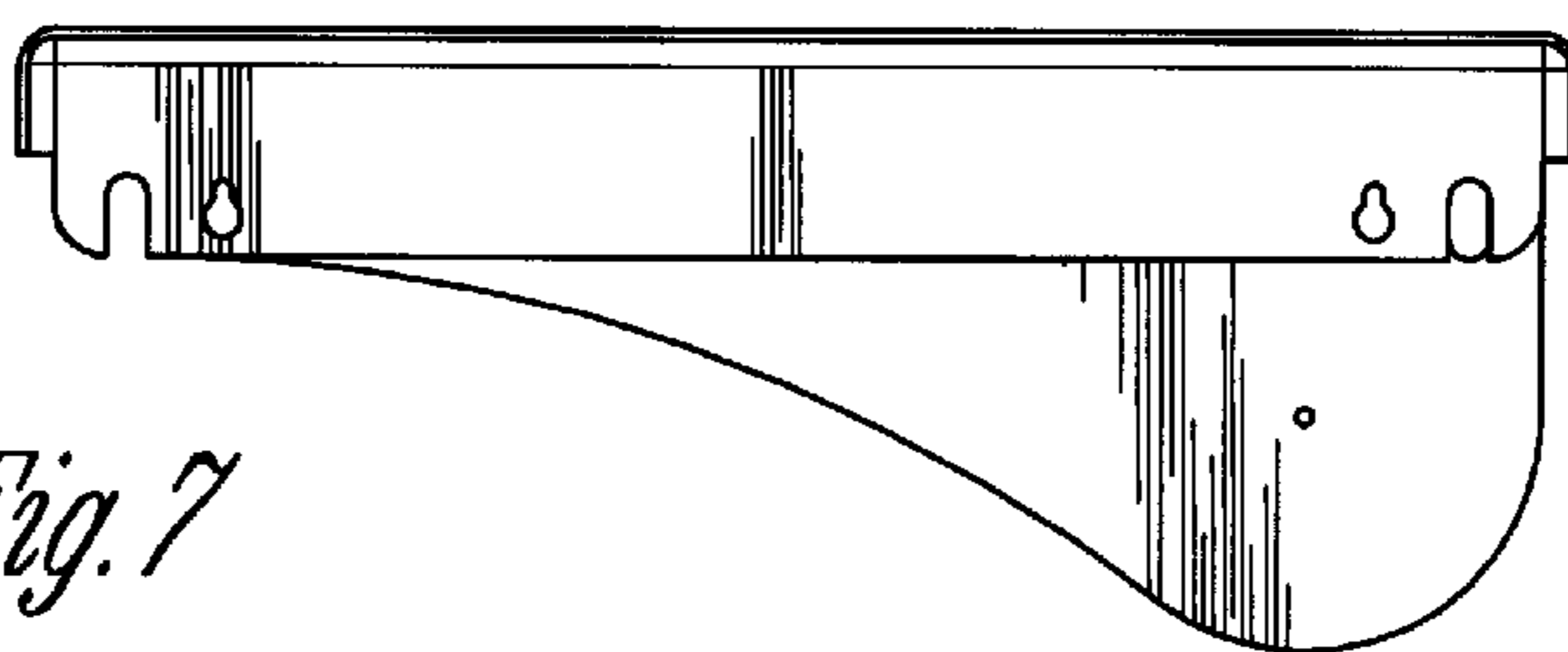


Fig. 7



Fig. 8



Fig. 9

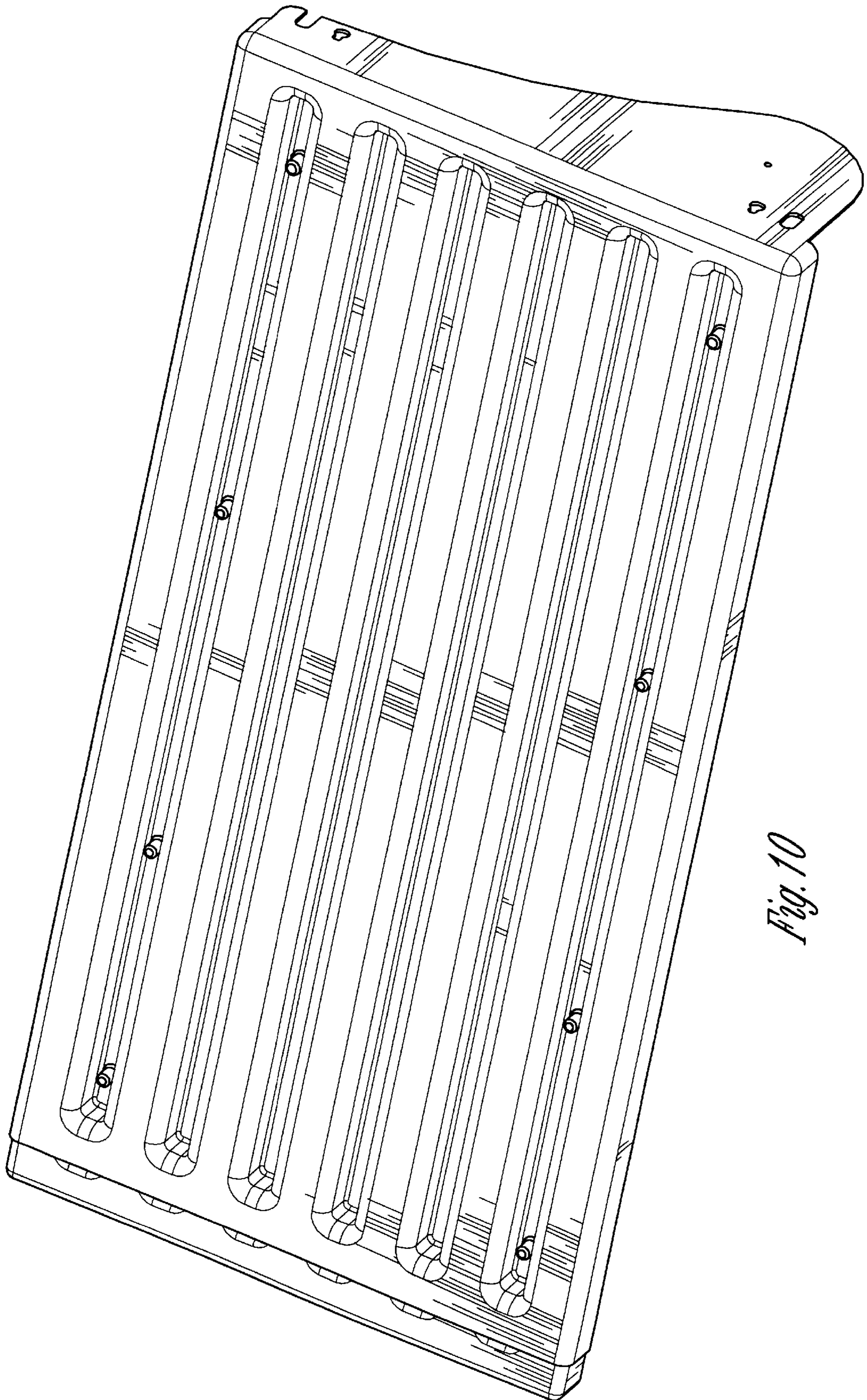


Fig. 10

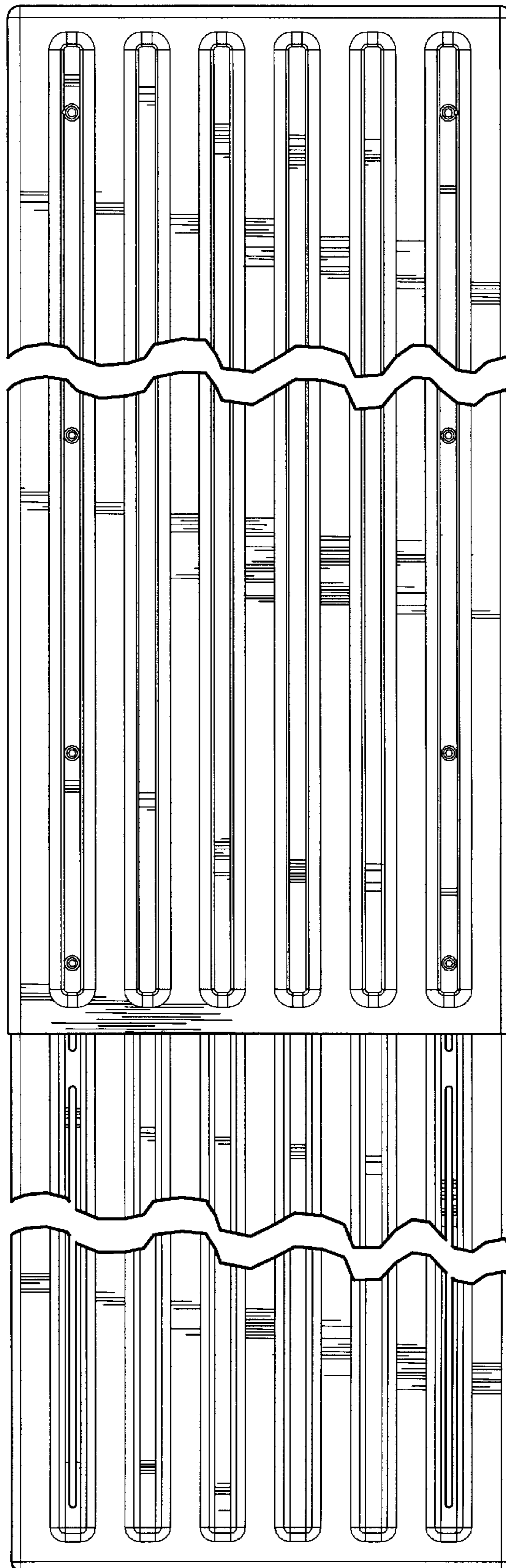


Fig. 11