



US00D455577S

(12) **United States Design Patent**  
**Wilson, Jr.**

(10) **Patent No.:**

**US D455,577 S**

(45) **Date of Patent:**

**\*\* Apr. 16, 2002**

(54) **THREE RING BINDER ROTATING SHELF SYSTEM**

(76) **Inventor: William Clarence Wilson, Jr., 1000 Johnnie Dodds Blvd., Suite 103, Box 131, Mt. Pleasant, SC (US) 29464**

(\*\*) **Term: 14 Years**

(21) **Appl. No.: 29/132,590**

(22) **Filed: Nov. 11, 2000**

(51) **LOC (7) Cl. .... 06-99**

(52) **U.S. Cl. .... D6/449**

(58) **Field of Search** ..... D6/449, 450, 455, D6/457; D19/65, 75, 90-91, 95; 108/103, 27, 61, 139, 163; 211/10, 58, 131.1, 144, 163, 184; 312/305, 135

(56) **References Cited**

**U.S. PATENT DOCUMENTS**

574,482 A \* 1/1897 Hastings ..... 108/60  
1,930,844 A \* 10/1933 Ruddell ..... 211/144  
3,006,648 A \* 10/1961 La Vigne ..... 211/144  
3,056,506 A 10/1962 Fuller ..... 211/1.6

3,868,916 A 3/1975 Ohlson ..... 108/103  
D240,100 S \* 6/1976 Weddendorf ..... D6/449 X  
4,534,473 A 8/1985 Post ..... 211/58  
D285,153 S 8/1986 Davis ..... D6/460  
5,176,264 A \* 1/1993 Palma ..... 211/163  
5,524,775 A 6/1996 Kaine ..... 211/131

**FOREIGN PATENT DOCUMENTS**

GB 0 309 170 9/1987

\* cited by examiner

*Primary Examiner*—Nanda Bondade

(57) **CLAIM**

The ornamental design for a three ring binder rotating shelf system, as shown and described.

**DESCRIPTION**

FIG. 1 is a front view of the three ring binder rotating shelf system showing my design;

FIG. 2. is a front view thereof showing stackable placement of the three ring binder rotating shelf system;

FIG. 3 is a top view thereof; and,

FIG. 4 is a bottom view thereof.

**1 Claim, 3 Drawing Sheets**

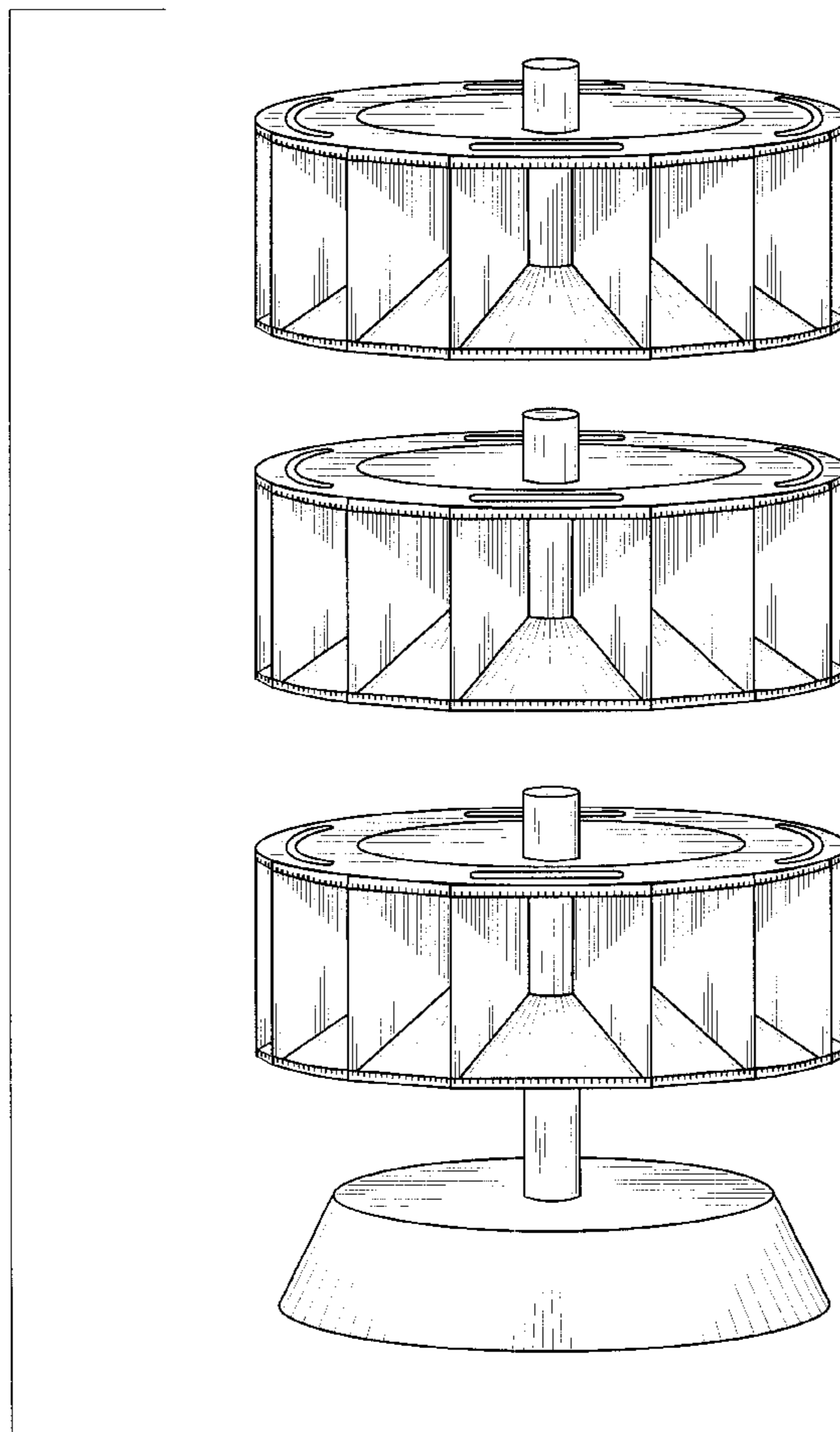


Fig. 1

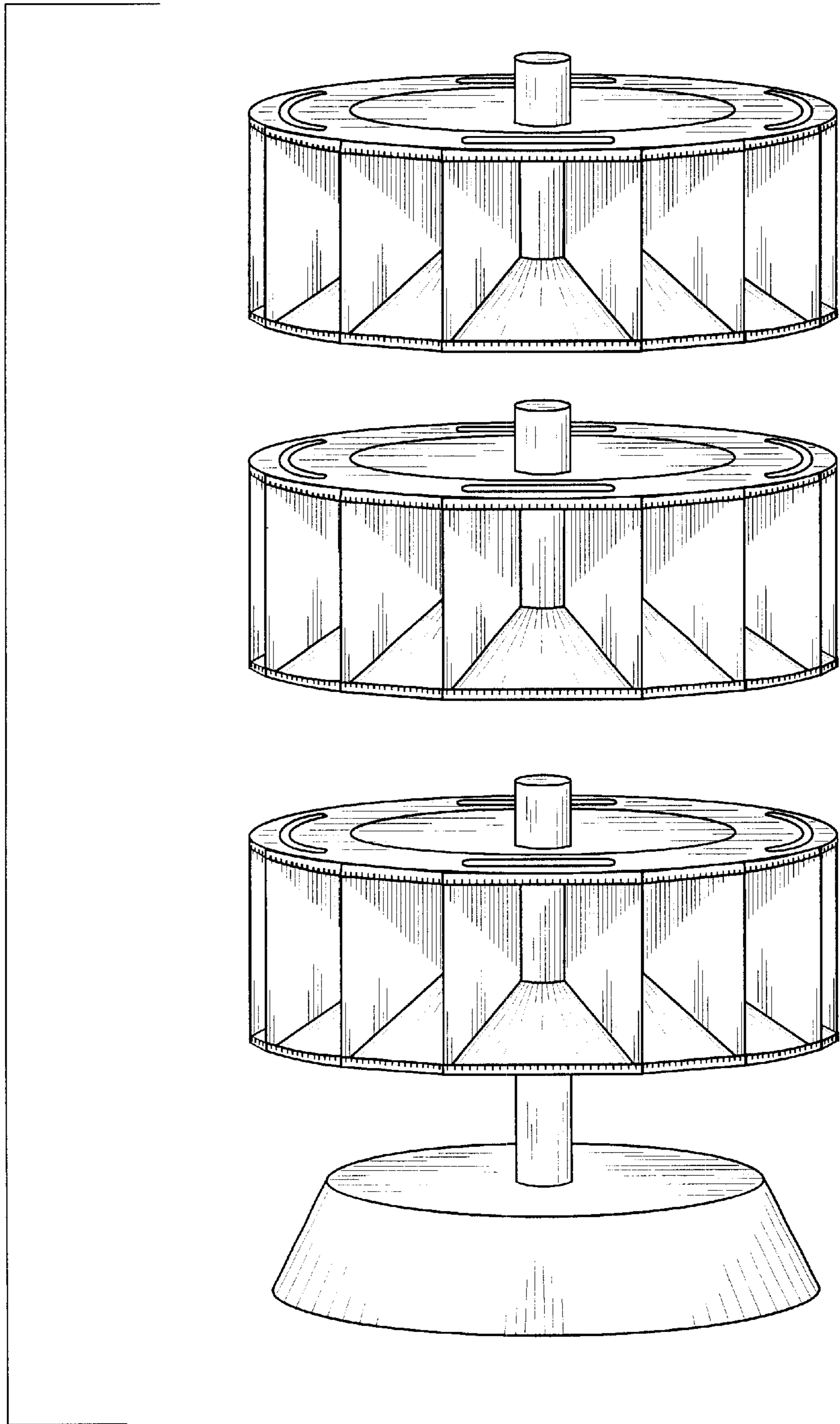


Fig. 2

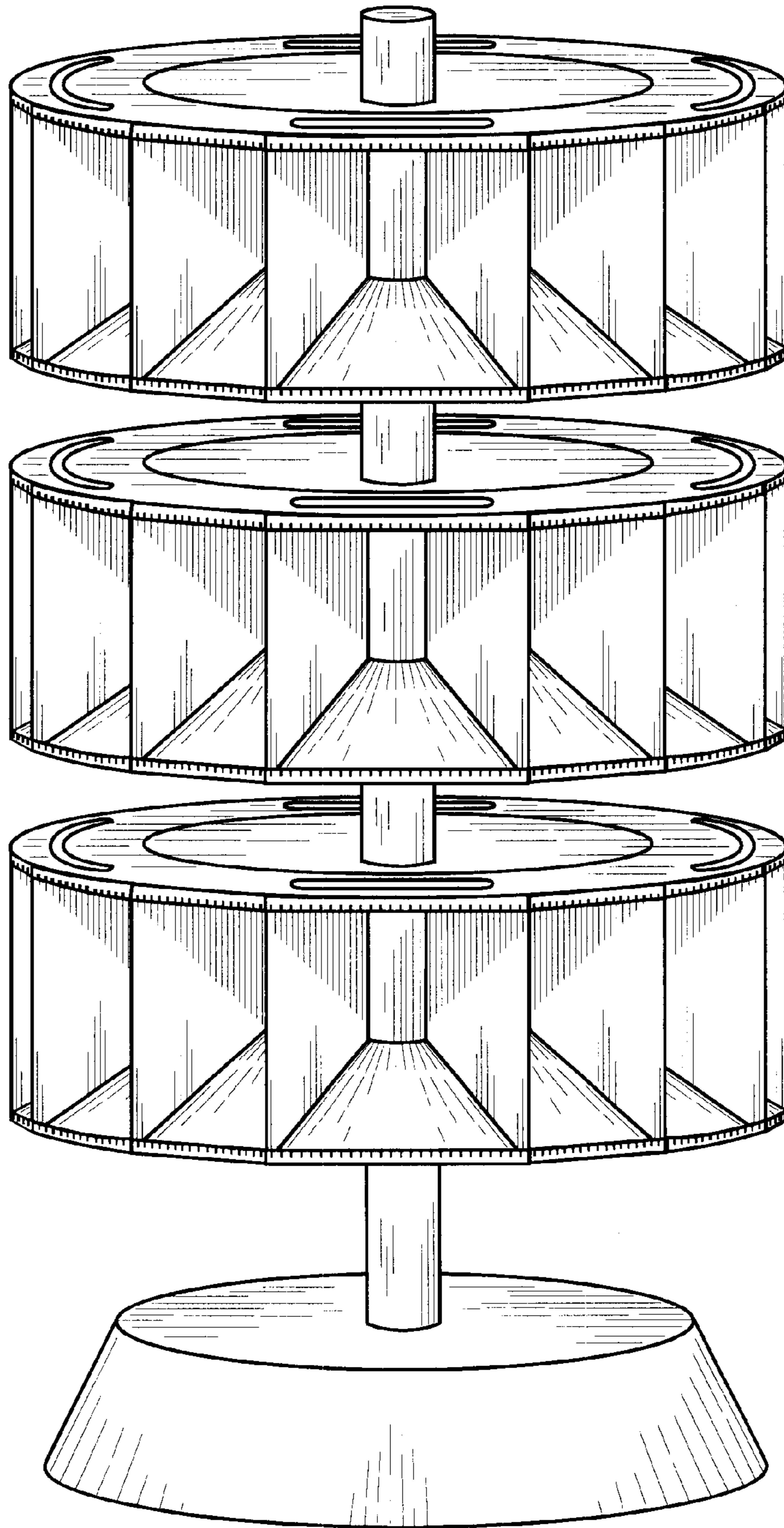


Fig. 3

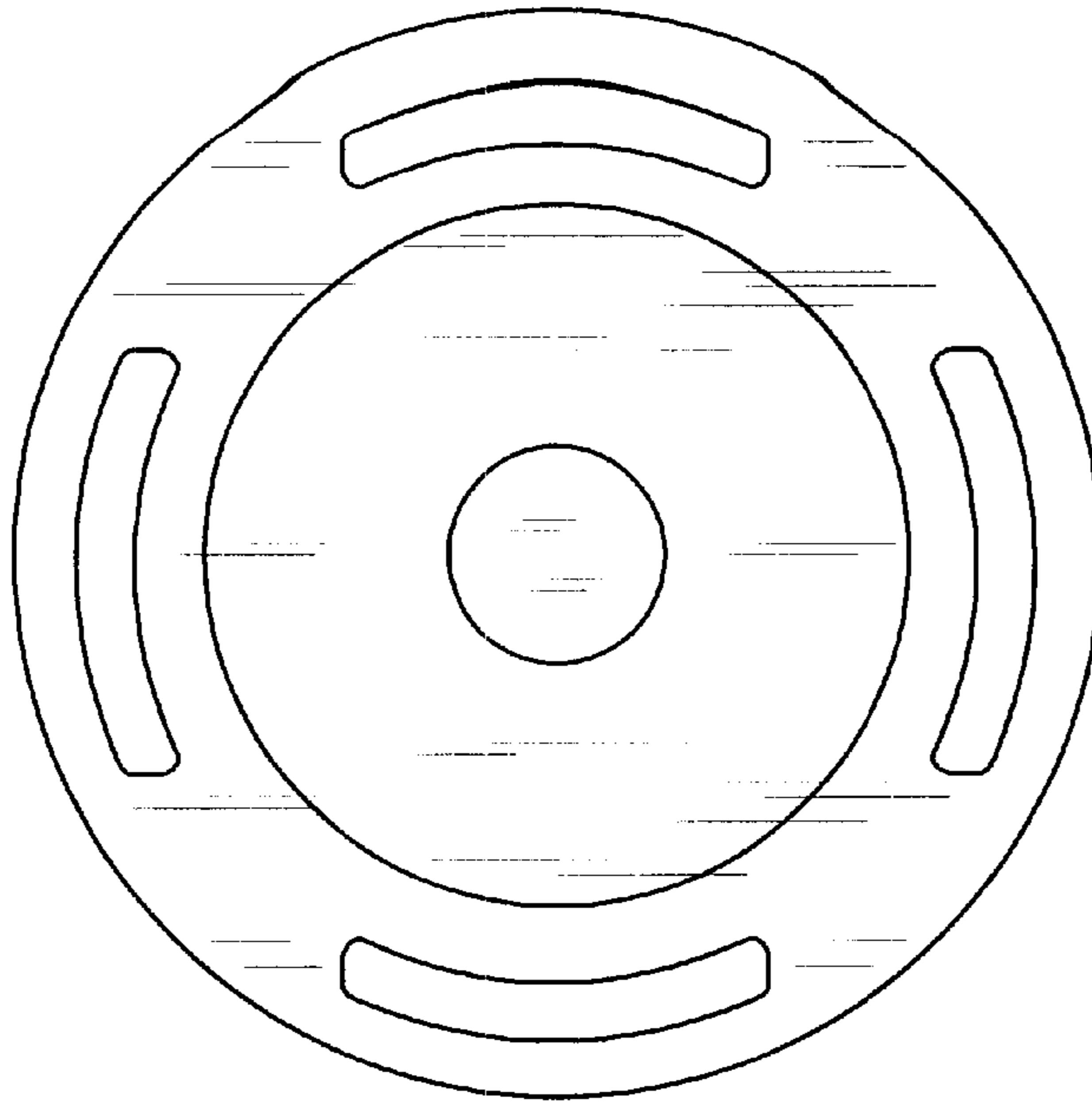


Fig. 4

