



US00D455576S

(12) **United States Design Patent**  
**Tzeng**

(10) **Patent No.:** **US D455,576 S**

(45) **Date of Patent:** **\*\* Apr. 16, 2002**

(54) **COMPUTER DESK**

D396,576 S \* 8/1998 Moore ..... D6/422  
D429,580 S \* 8/2000 Janowitz ..... D6/426

(76) Inventor: **Ren-Ju Tzeng**, No. 4-2 Chung Liao Road, Pei Tou Township, Chang hua Hsien (TW)

\* cited by examiner

(\*\*) Term: **14 Years**

*Primary Examiner*—Janice E. Seeger  
(74) *Attorney, Agent, or Firm*—Rabin & Berdo, P.C.

(21) Appl. No.: **29/144,468**

(22) Filed: **Jul. 5, 2001**

(57) **CLAIM**

The ornamental design for a computer desk, as shown and described.

(51) **LOC (7) Cl.** ..... **06-04**

**DESCRIPTION**

(52) **U.S. Cl.** ..... **D6/426**

(58) **Field of Search** ..... D6/422-428, 484, D6/465, 474, 477, 479; 312/194-196, 208.1, 239; 108/50.01, 50.02, 91, 92, 95, 97

FIG. 1 is a front view of a computer desk showing my new design;

FIG. 2 is a right side view thereof;

FIG. 3 is a left side view thereof;

FIG. 4 is a rear view thereof;

FIG. 5 is a top view thereof;

FIG. 6 is a bottom view thereof; and,

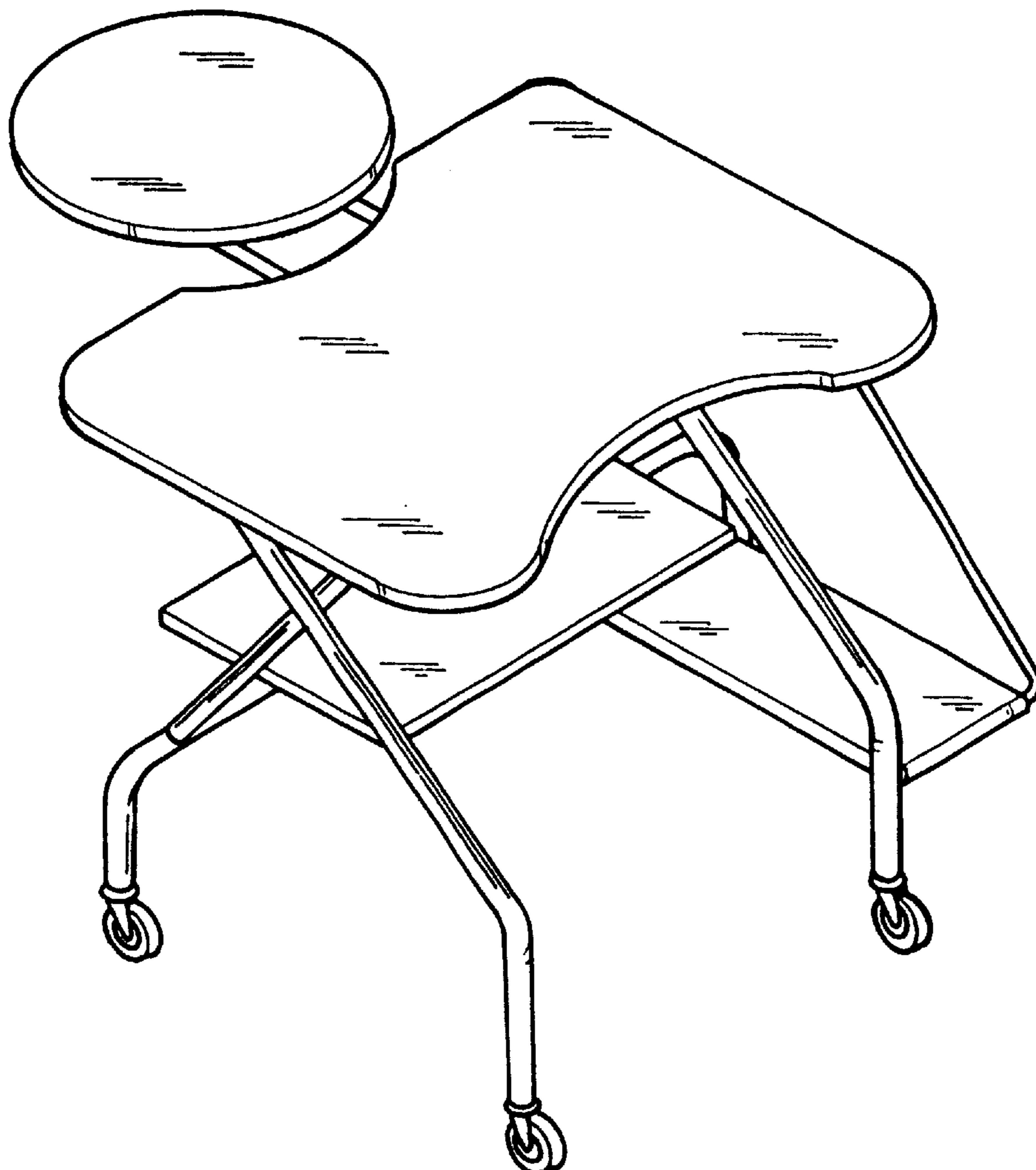
FIG. 7 is a perspective view thereof.

(56) **References Cited**

**U.S. PATENT DOCUMENTS**

D368,813 S \* 4/1996 Patton ..... D6/425  
D394,965 S \* 6/1998 Fang ..... D6/474

**1 Claim, 7 Drawing Sheets**



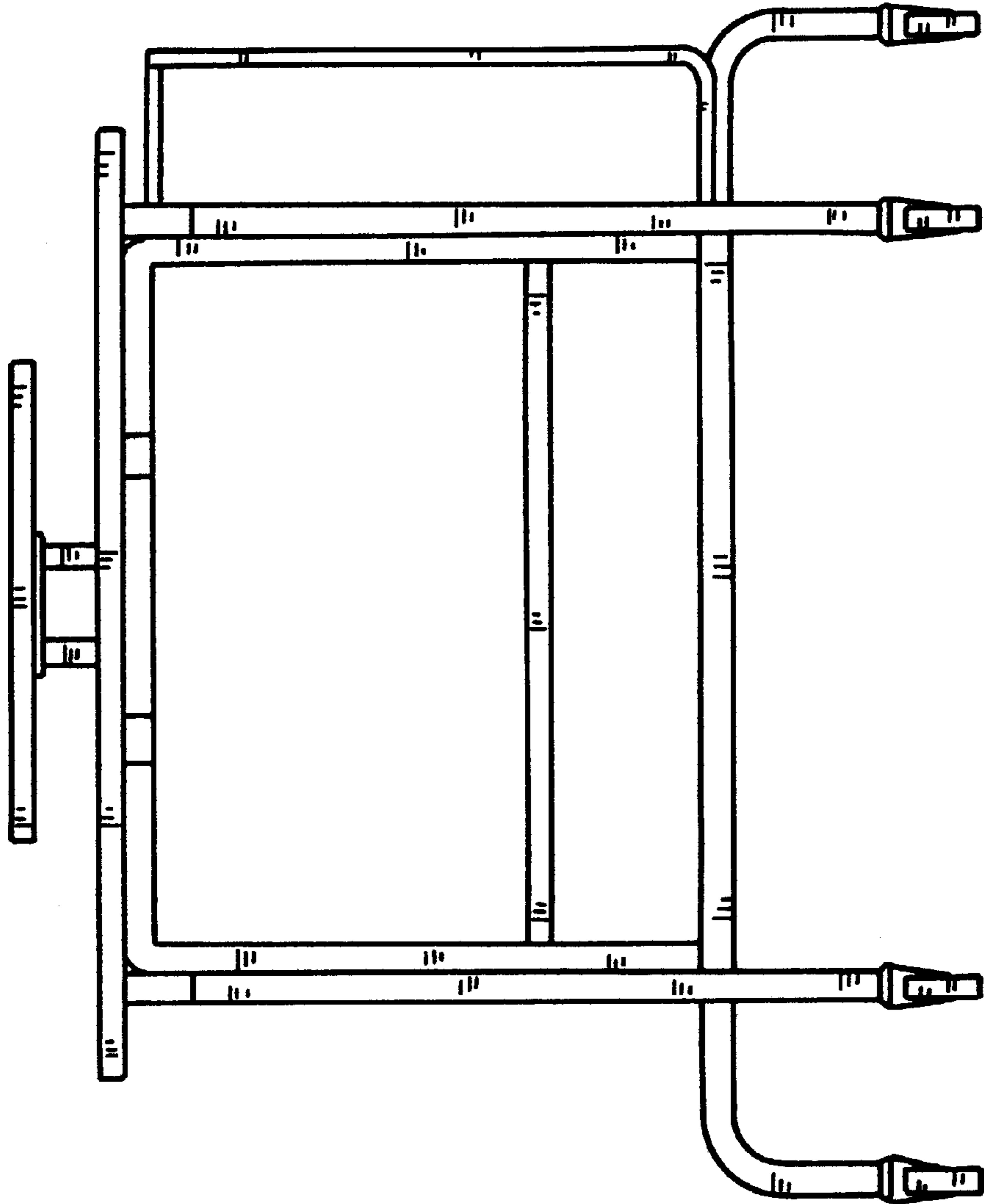


FIG. 1

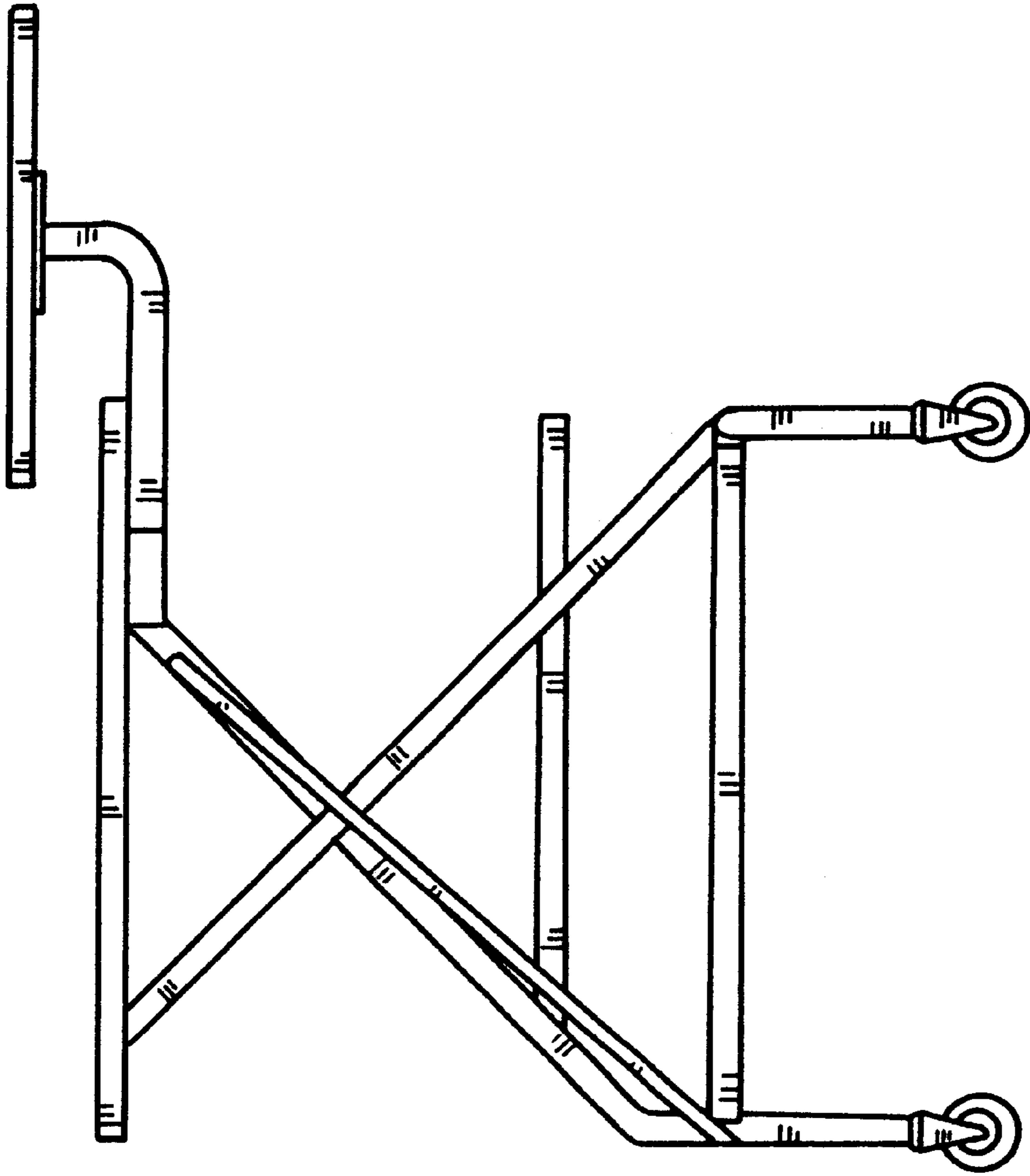


FIG.2

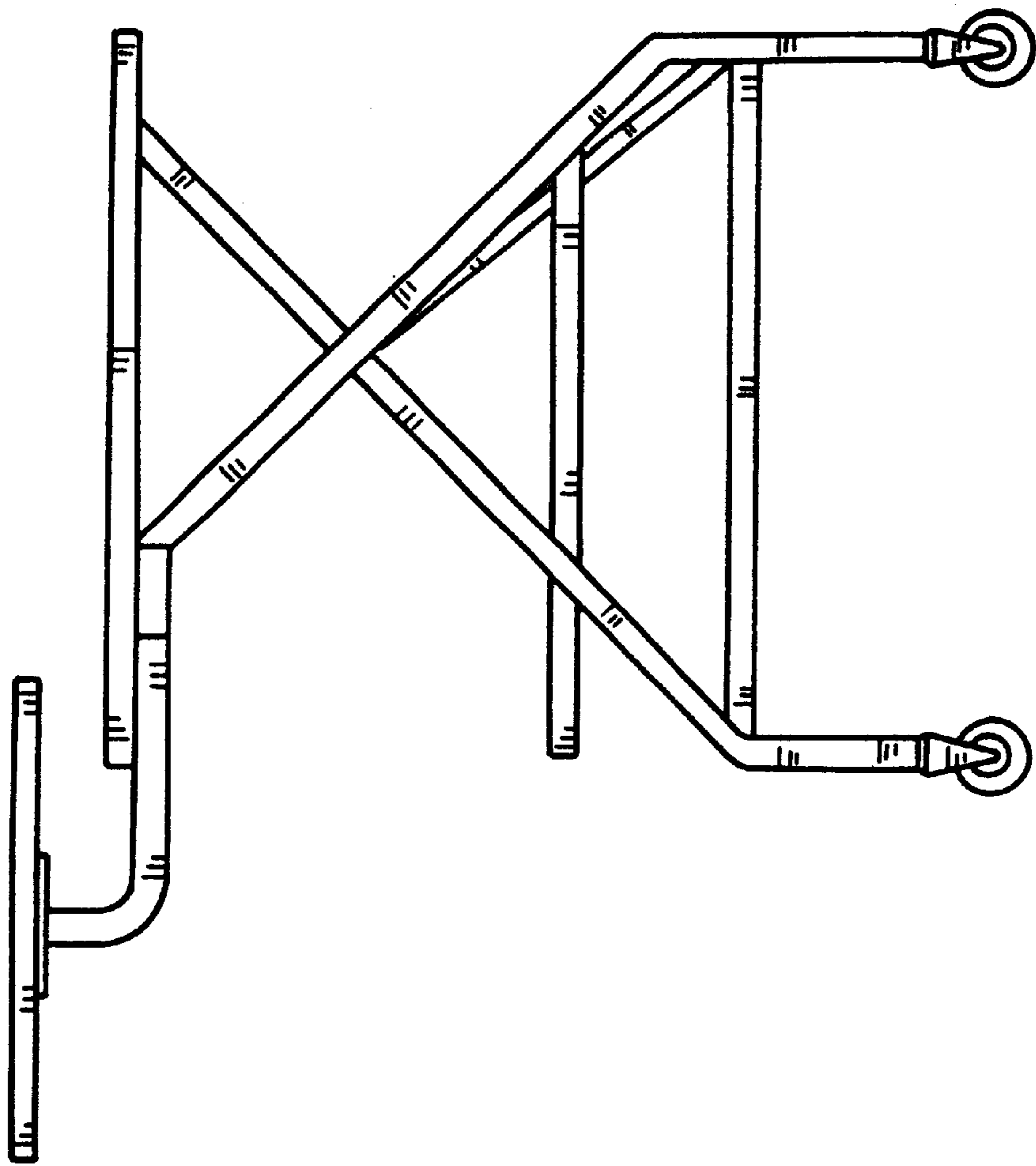


FIG. 3

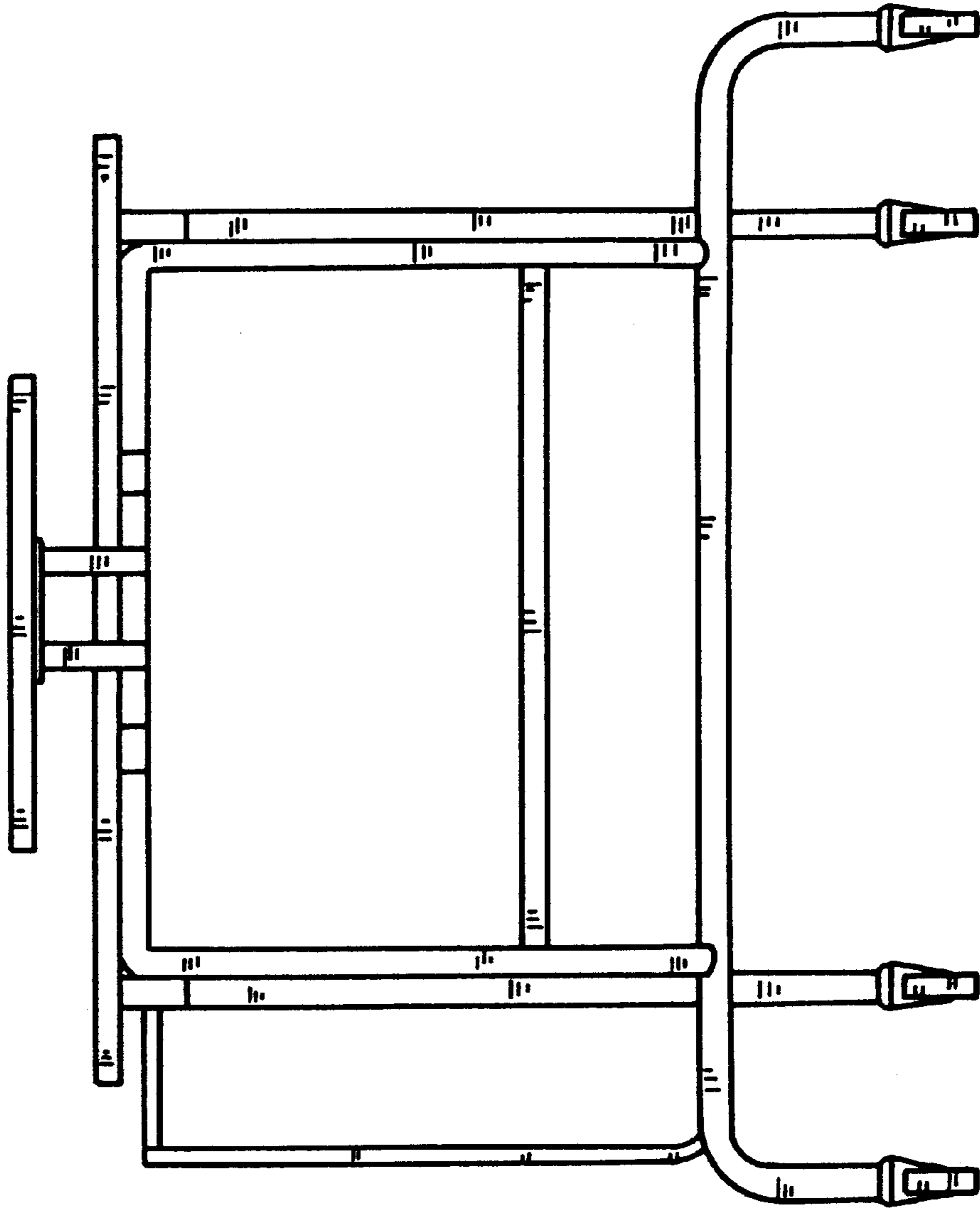


FIG. 4

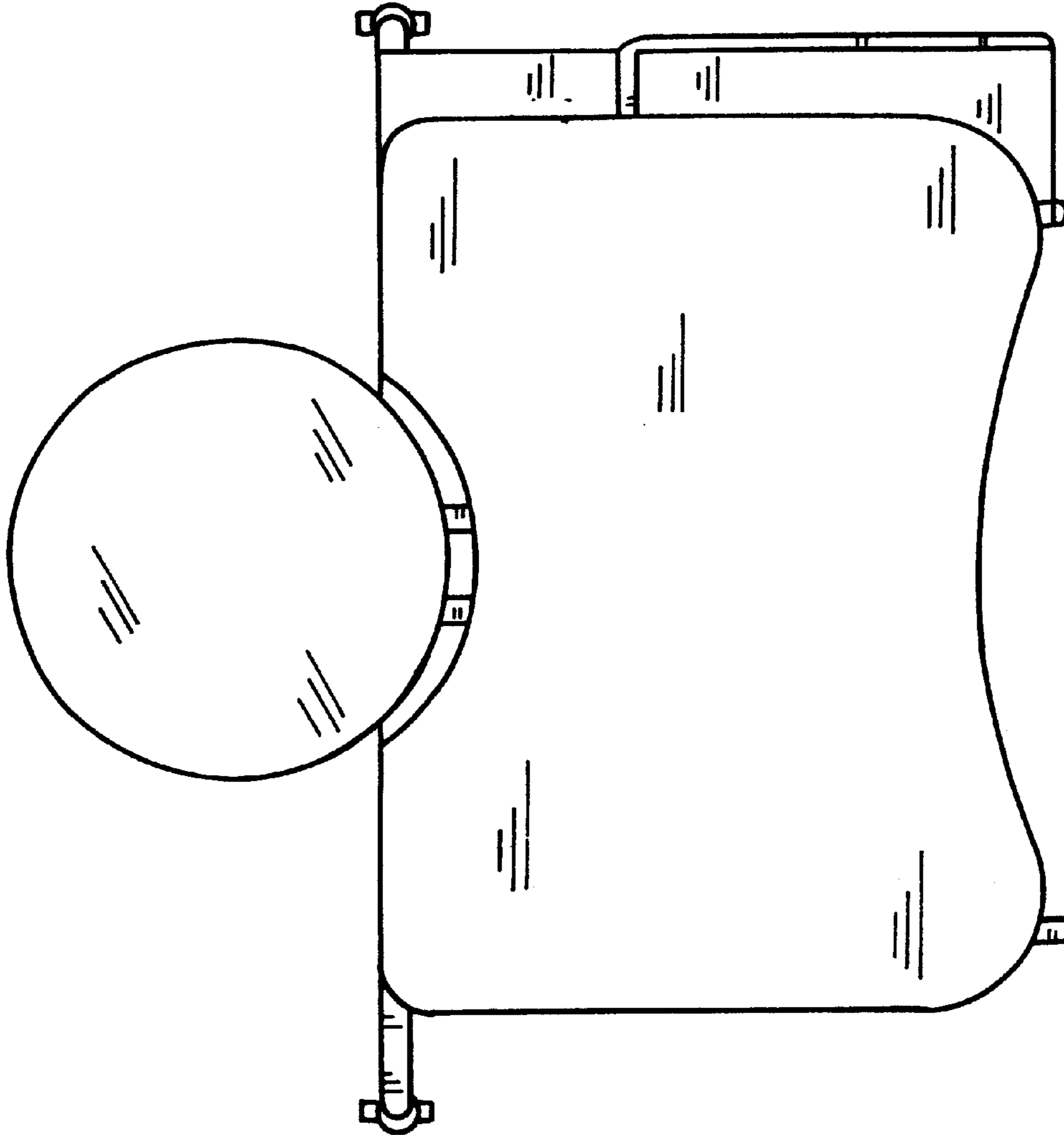


FIG. 5

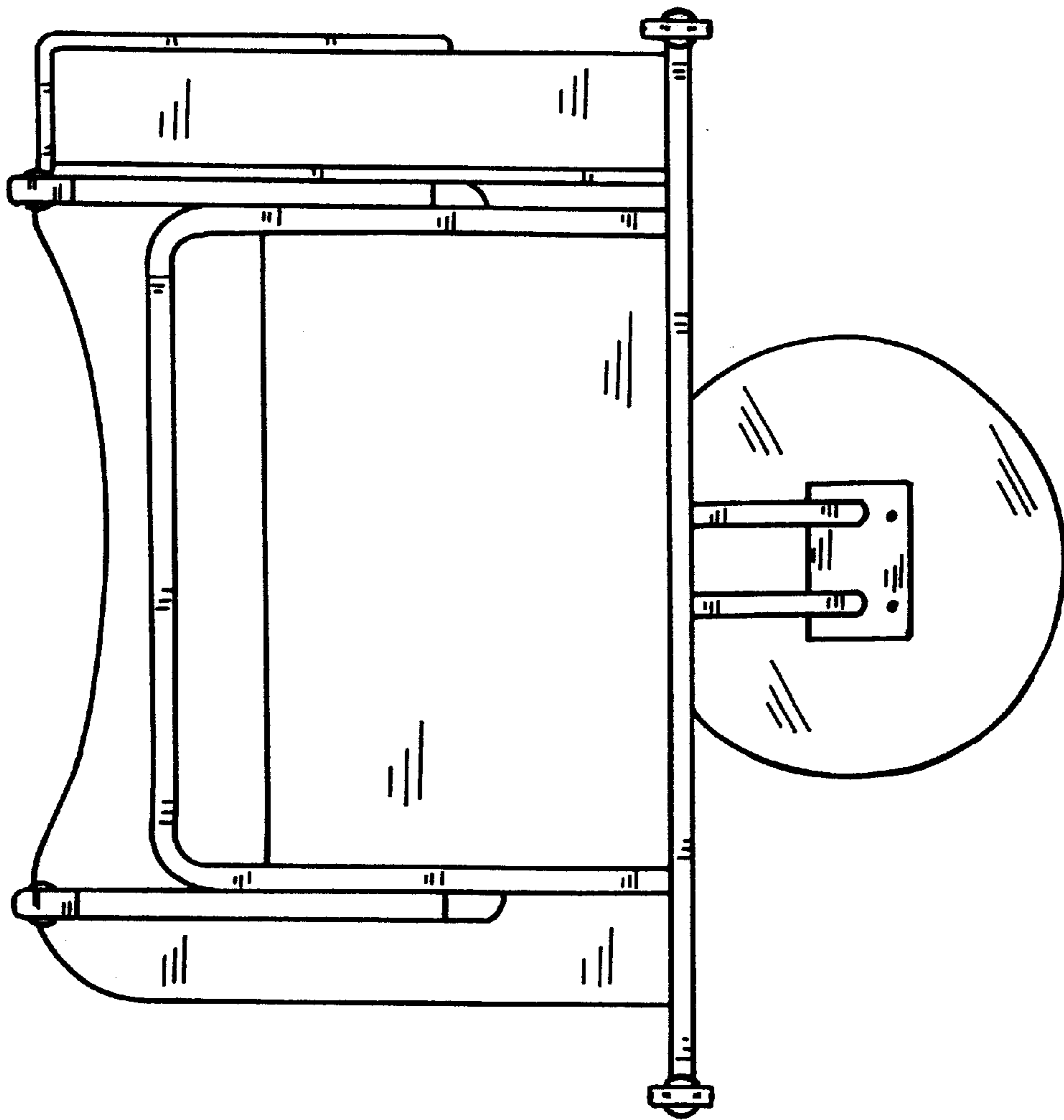


FIG.6

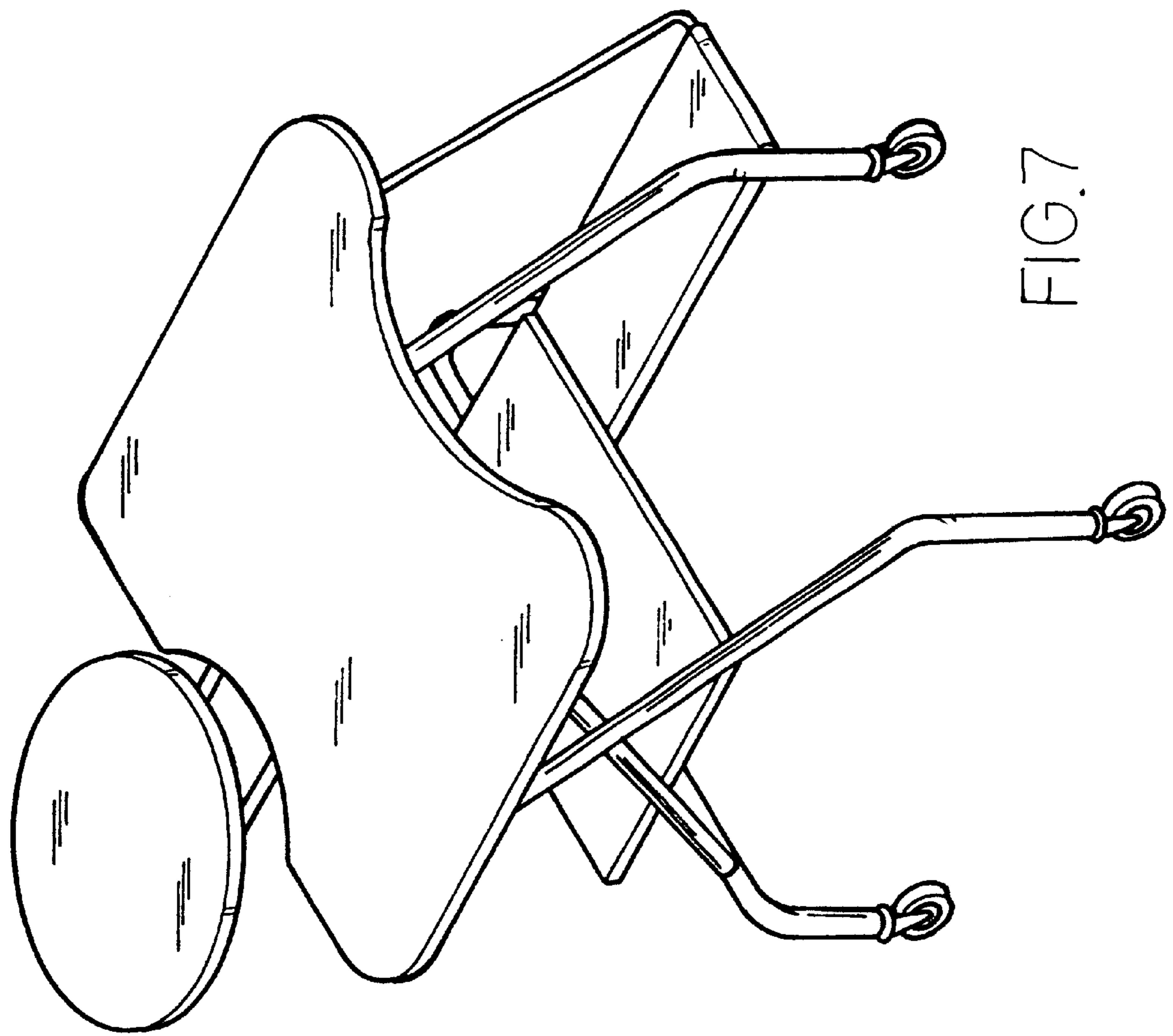


FIG. 7