



US00D455568S

(12) **United States Design Patent**
Leng et al.

(10) **Patent No.:** **US D455,568 S**

(45) **Date of Patent:** **** Apr. 16, 2002**

(54) **FOLDING CHAIR**

5,634,684 A * 6/1997 Kojima et al. 297/58

(75) Inventors: **Luhao Leng; Qiang Li**, both of
Xiamen (CN)

* cited by examiner

(73) Assignee: **Xiamen New-Tec Jcc Co., Ltd.**,
Xiamen (CN)

Primary Examiner—Doris V. Coles

Assistant Examiner—Mimosa De

(74) *Attorney, Agent, or Firm*—Greer, Burns & Crain, Ltd.

(**) Term: **14 Years**

(57) **CLAIM**

(21) Appl. No.: **29/139,553**

The ornamental design for a folding chair, as shown and described.

(22) Filed: **Apr. 2, 2001**

DESCRIPTION

(30) **Foreign Application Priority Data**

Oct. 11, 2000 (CN) 00339276

(51) **LOC (7) Cl.** **06-01**

(52) **U.S. Cl.** **D6/368**

(58) **Field of Search** D6/334, 335, 368,
D6/374, 376, 380, 500–502; 297/16.1, 34,
40, 41, 55, 56, 57, 58, 59, 452.1

FIG. 1 is a perspective view of a folding chair showing my new design;

FIG. 2 is a right view thereof;

FIG. 3 is a rear view thereof;

FIG. 4 is a front view thereof;

FIG. 5 is a left side view thereof;

FIG. 6 is a top view thereof;

FIG. 7 is a bottom view thereof;

FIG. 8 is a right side view of a folding chair, which is in folding state;

FIG. 9 is a rear view thereof;

FIG. 10 is a front view thereof;

FIG. 11 is left side view thereof;

FIG. 12 is a top view thereof; and,

FIG. 13 is a bottom view thereof.

(56) **References Cited**

U.S. PATENT DOCUMENTS

1,704,712 A * 3/1929 Silverman 297/57

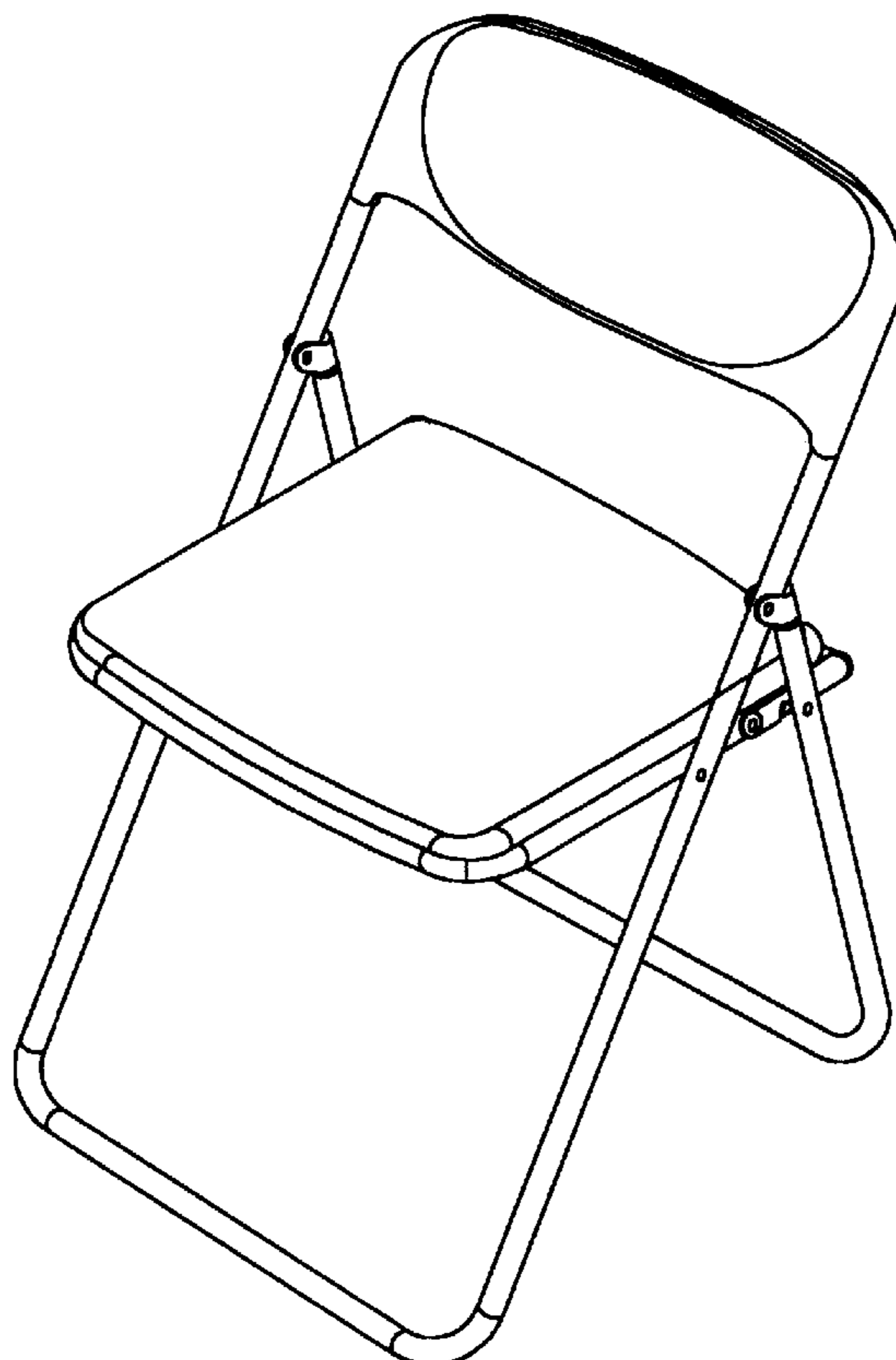
2,552,883 A * 5/1951 Cable 297/57

D217,344 S * 4/1970 Lindfors D6/368

3,695,687 A * 10/1972 Uyeda 297/56

D233,869 S * 12/1974 Lopez-Leautaud D6/374

1 Claim, 6 Drawing Sheets



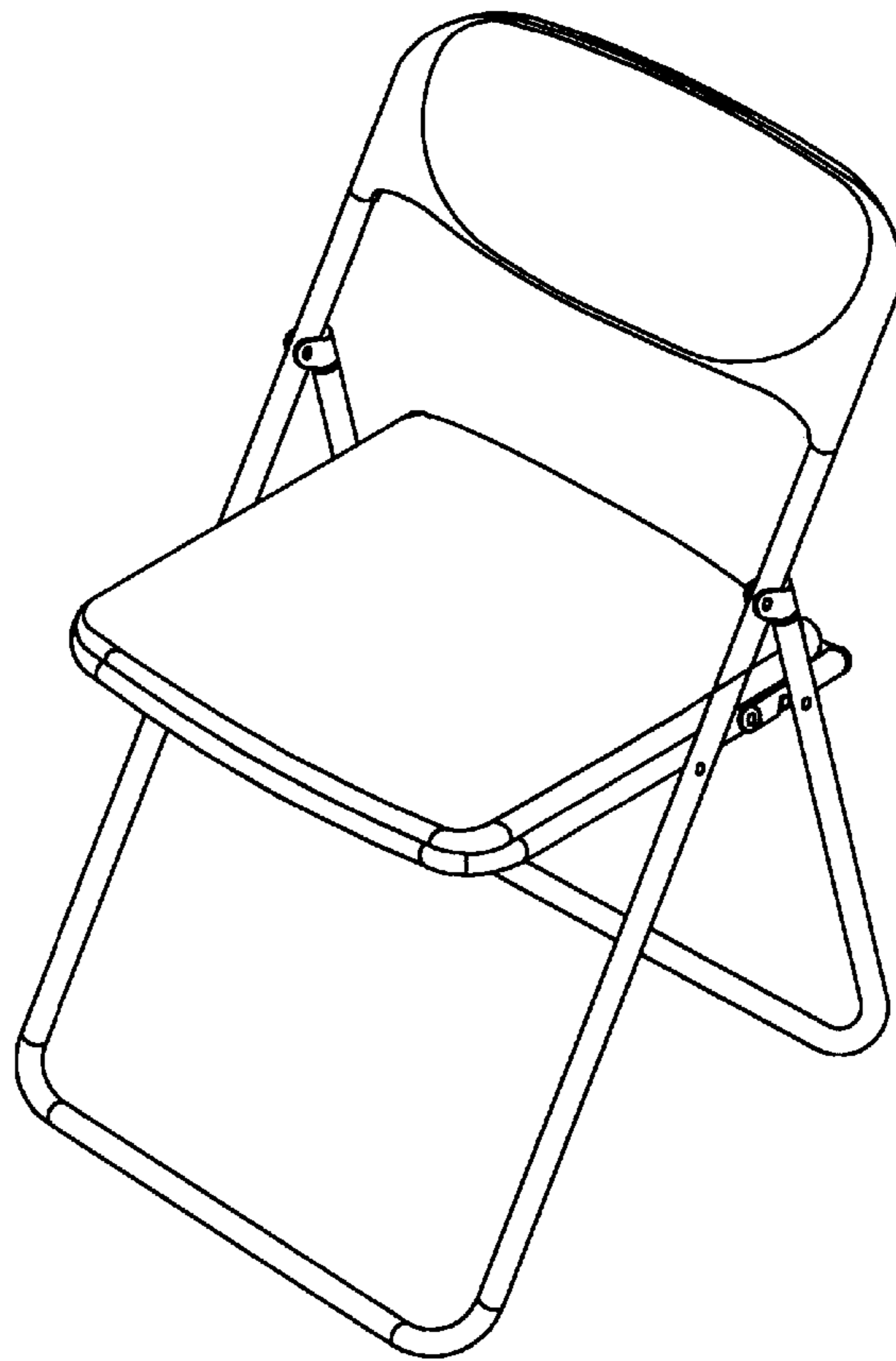


Fig.1

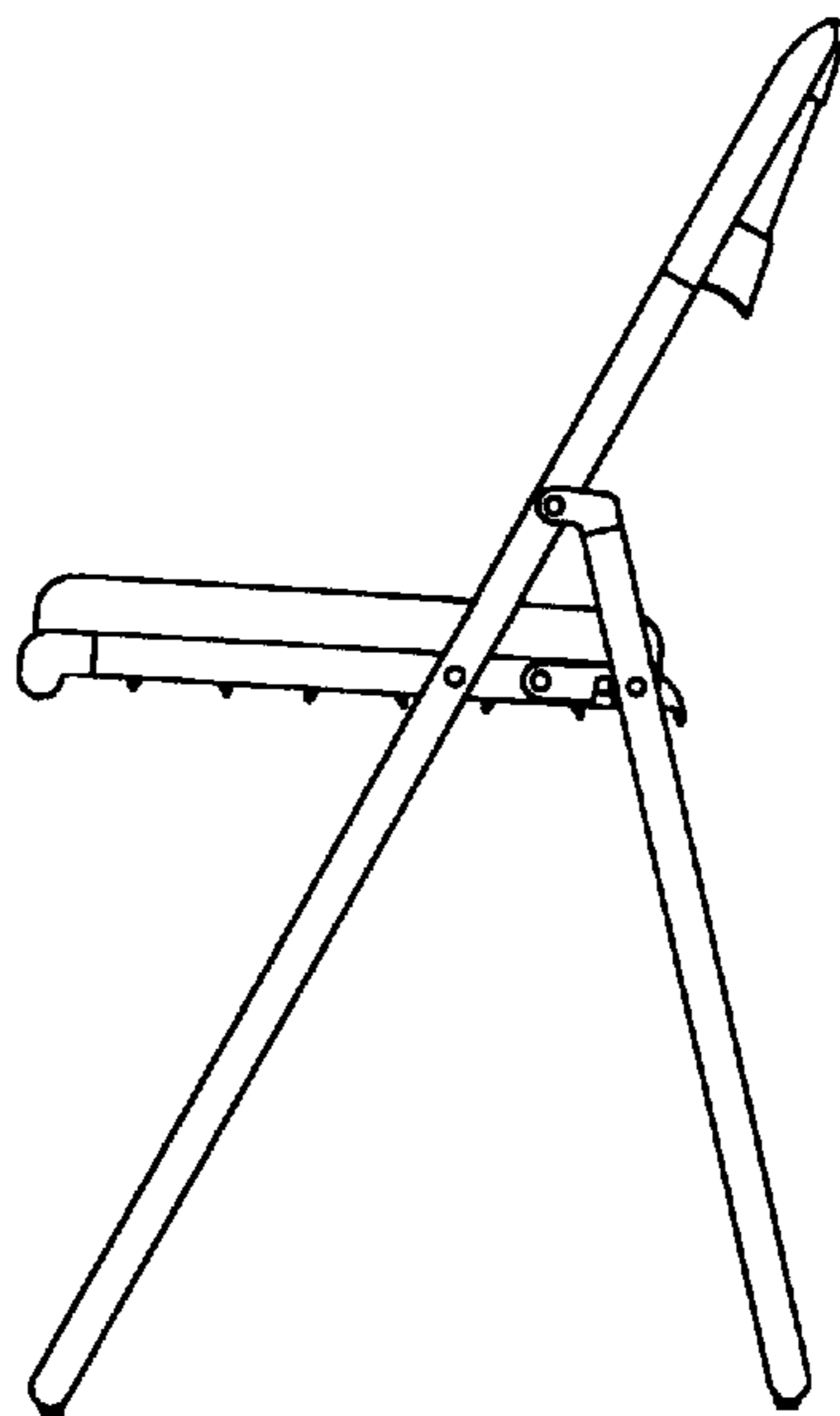


Fig2

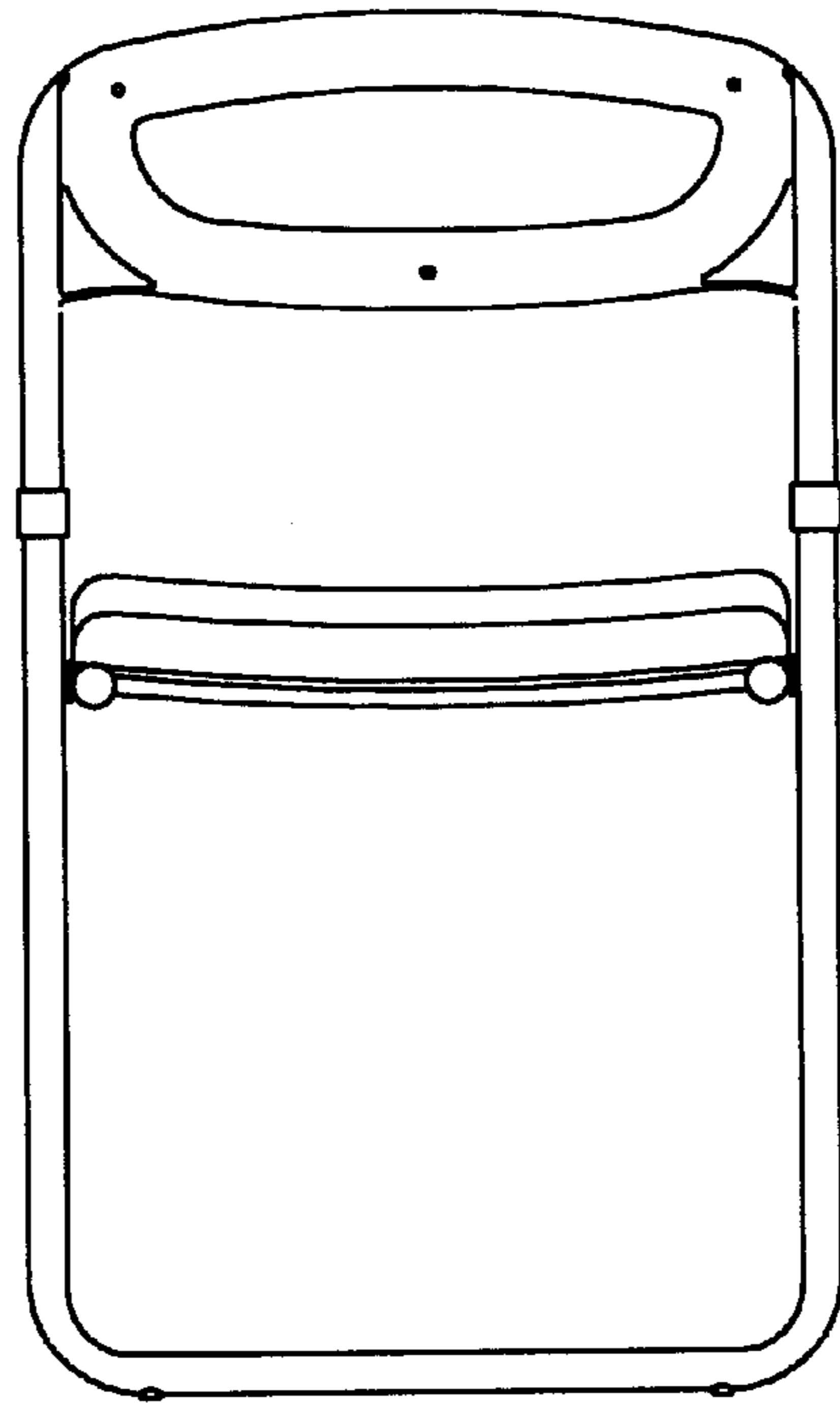


Fig.3

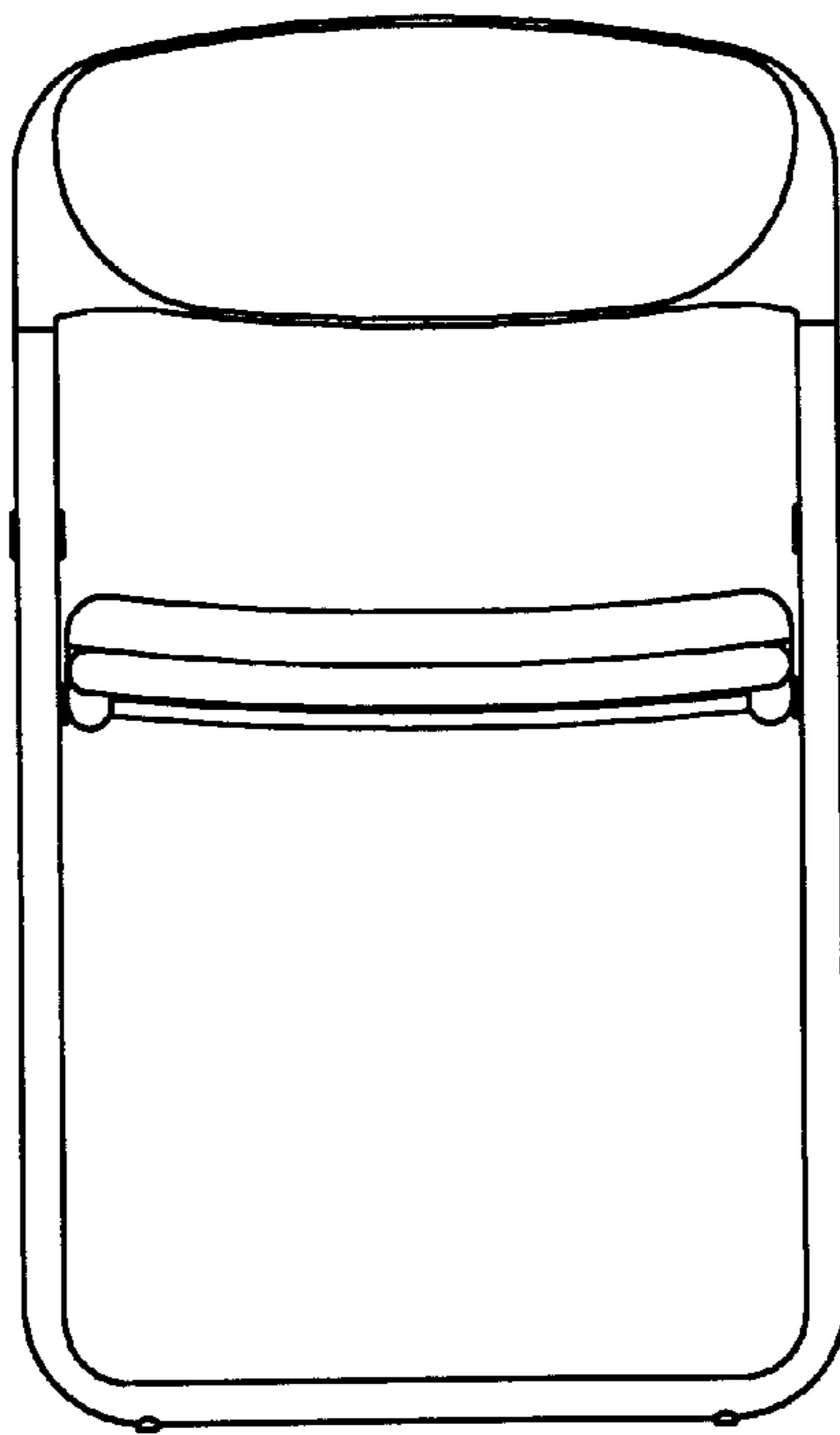


Fig.4

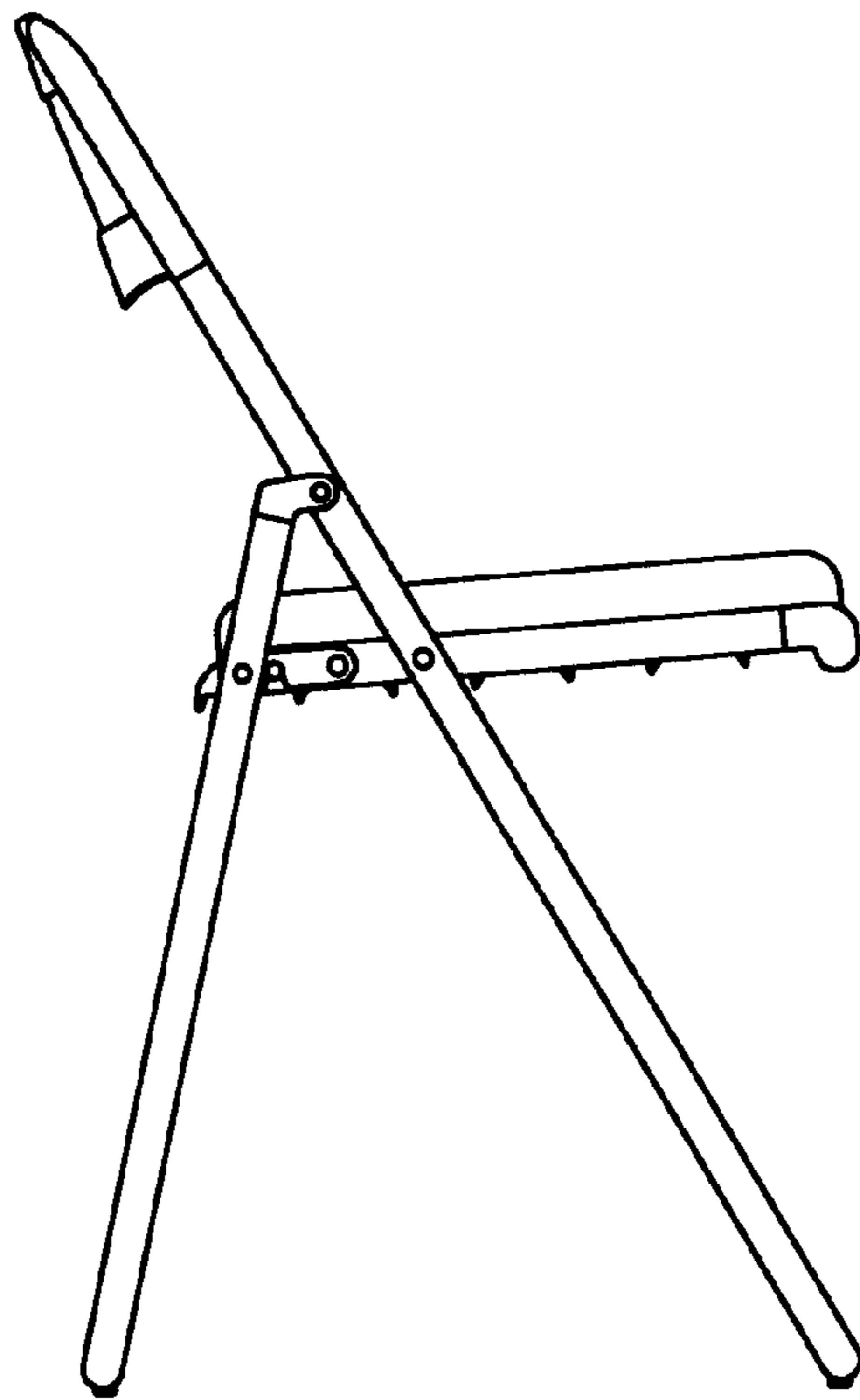


Fig.5

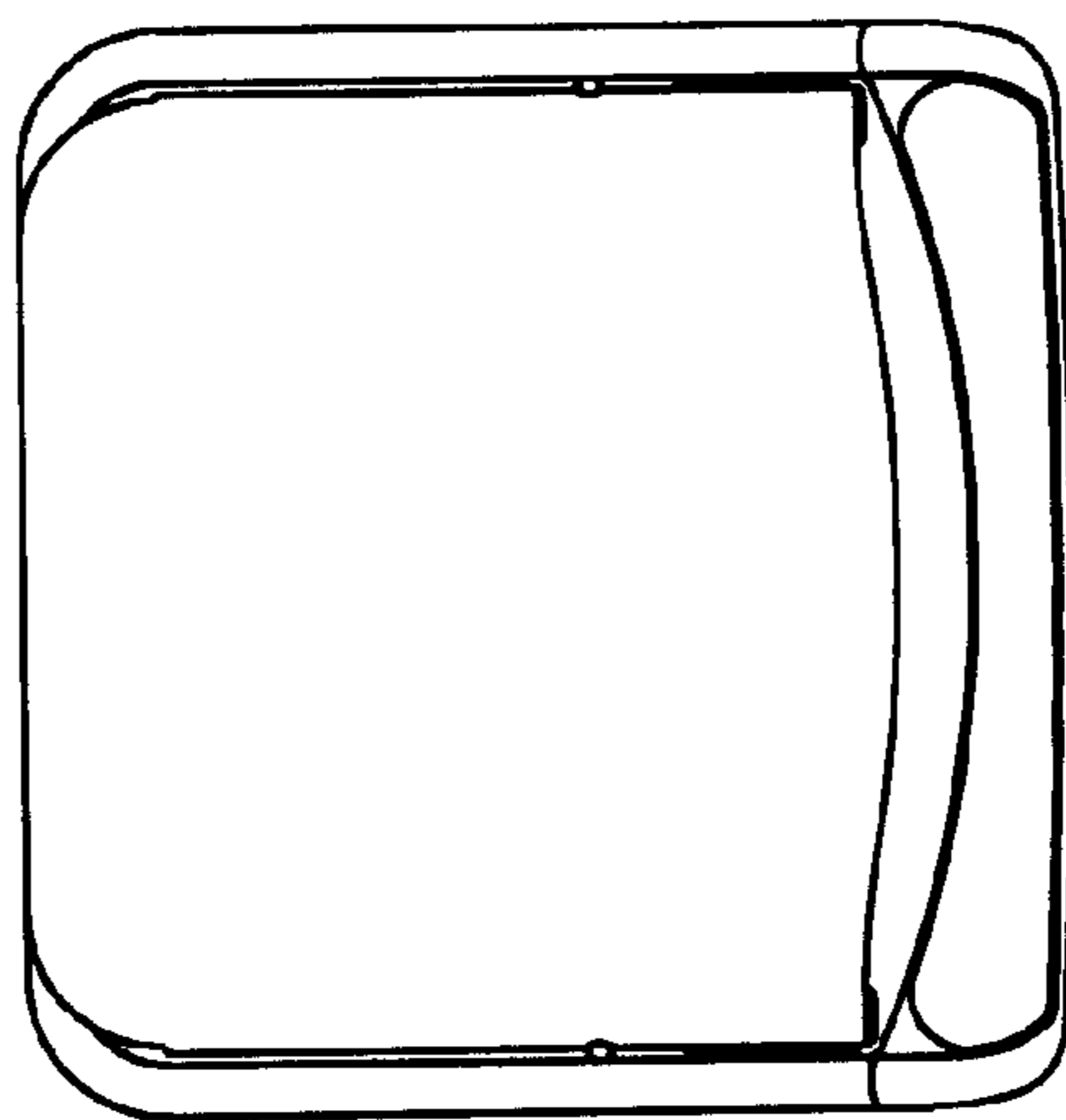


Fig.6

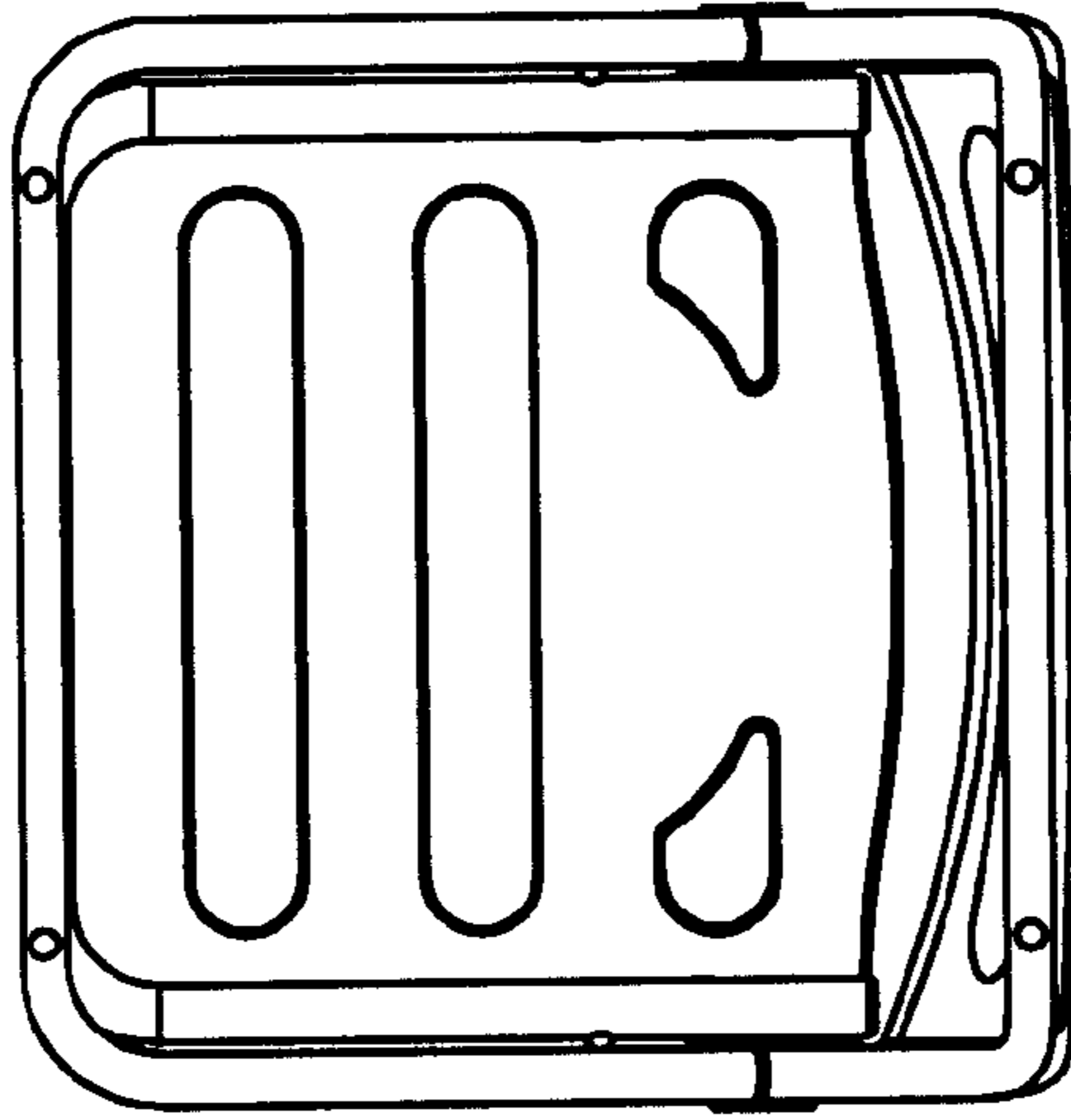


Fig. 7

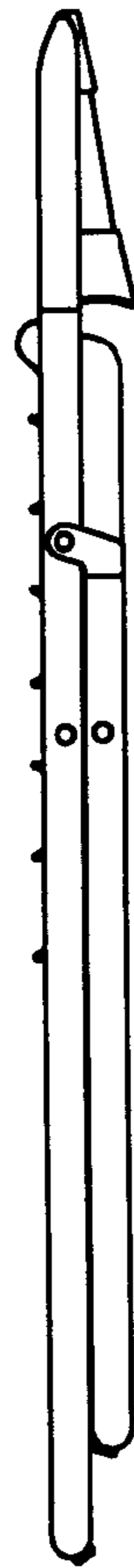


Fig. 8

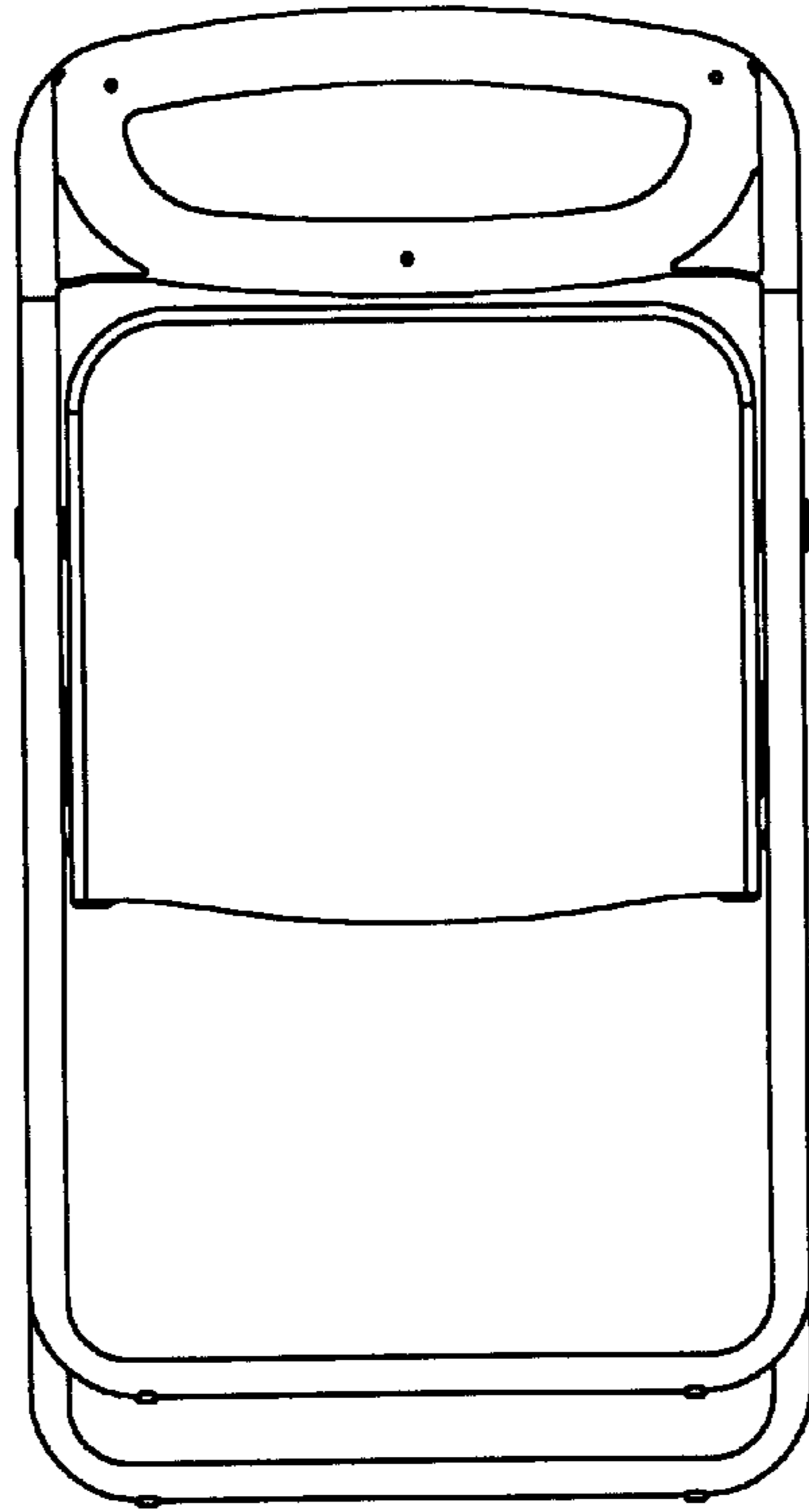


Fig.9

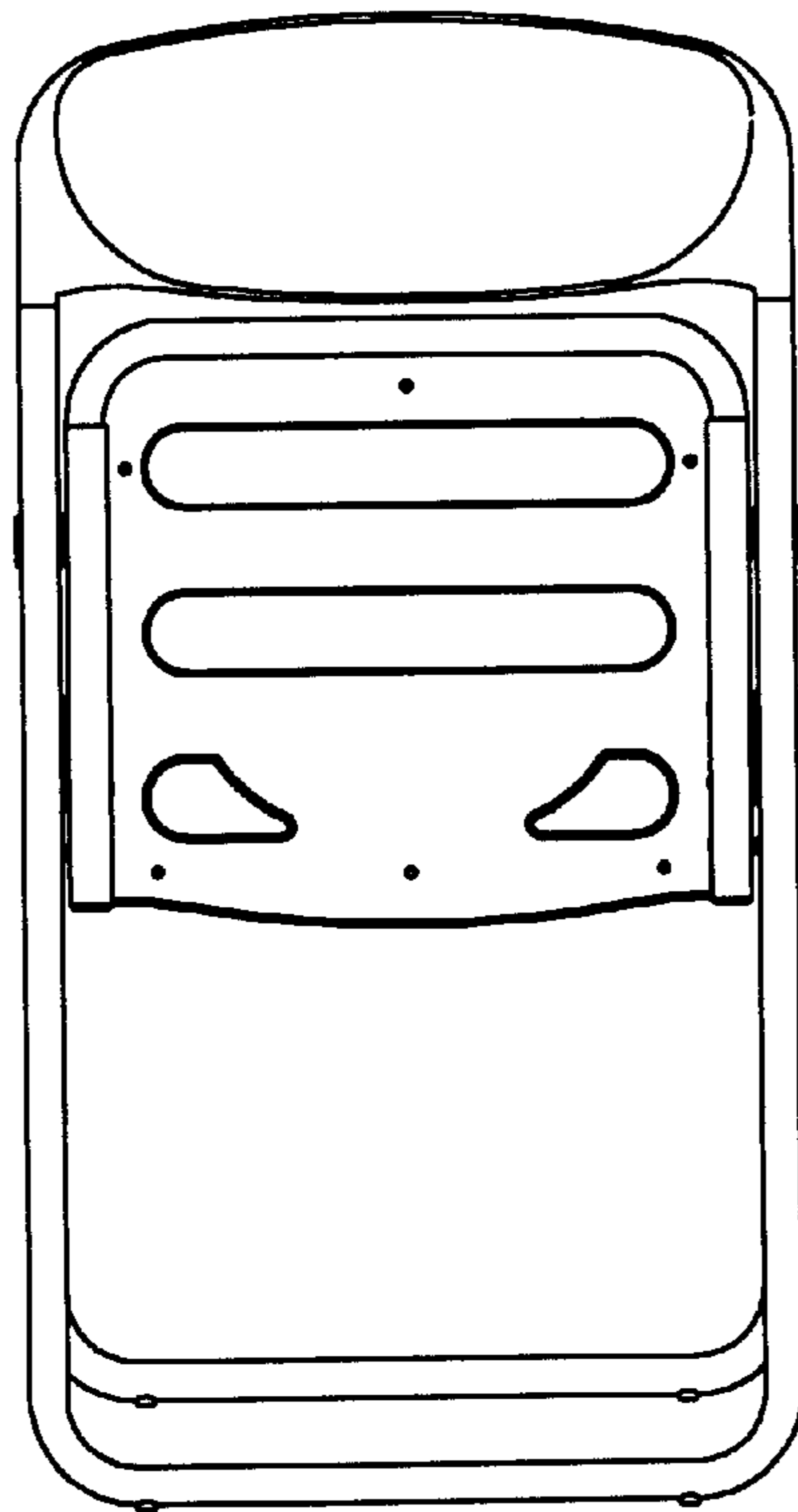


Fig.10



Fig.11

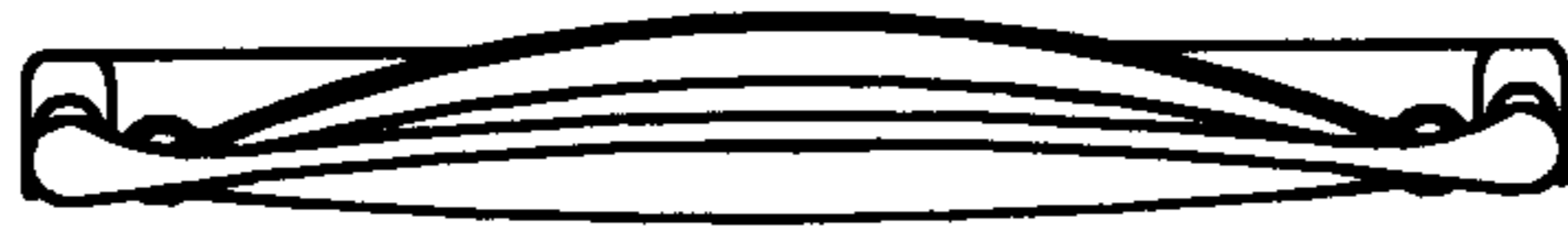


Fig.12



Fig.13