



US00D455567S

(12) **United States Design Patent**
Liu

(10) **Patent No.:** **US D455,567 S**

(45) **Date of Patent:** **** Apr. 16, 2002**

(54) **LEISURE ROCKING CHAIR**

6,257,660 B1 * 7/2001 Calvey 297/16.1

(76) Inventor: **Lausan Chung-Hsin Liu**, No. 243,
Chien-Kuo Rd., Hsin-Tien City, Taipei
Hsien (TW)

* cited by examiner

Primary Examiner—Doris V. Coles

Assistant Examiner—Mimosa De

(**) Term: **14 Years**

(74) *Attorney, Agent, or Firm*—Bacon & Thomas, PLLC

(21) Appl. No.: **29/139,248**

(57) **CLAIM**

(22) Filed: **Mar. 28, 2001**

The ornamental design for leisure rocking chair, as shown and described.

(51) **LOC (7) Cl.** **06-01**

DESCRIPTION

(52) **U.S. Cl.** **D6/348; D6/368**

(58) **Field of Search** D6/334, 335, 344,
D6/347, 348, 368, 374, 375, 379, 500-502;
297/16.1, 18, 23, 32, 33, 258.1, 271.5,
271.6, 272.1

FIG. 1 is a perspective view of leisure rocking chair showing our new design thereof;

FIG. 2 is a right side elevational view thereof;

FIG. 3 is a top view thereof;

FIG. 4 is a front elevational view thereof;

FIG. 5 is a bottom plan view thereof;

FIG. 6 is a left side elevational view thereof; and,

FIG. 7 is a rear elevational view thereof.

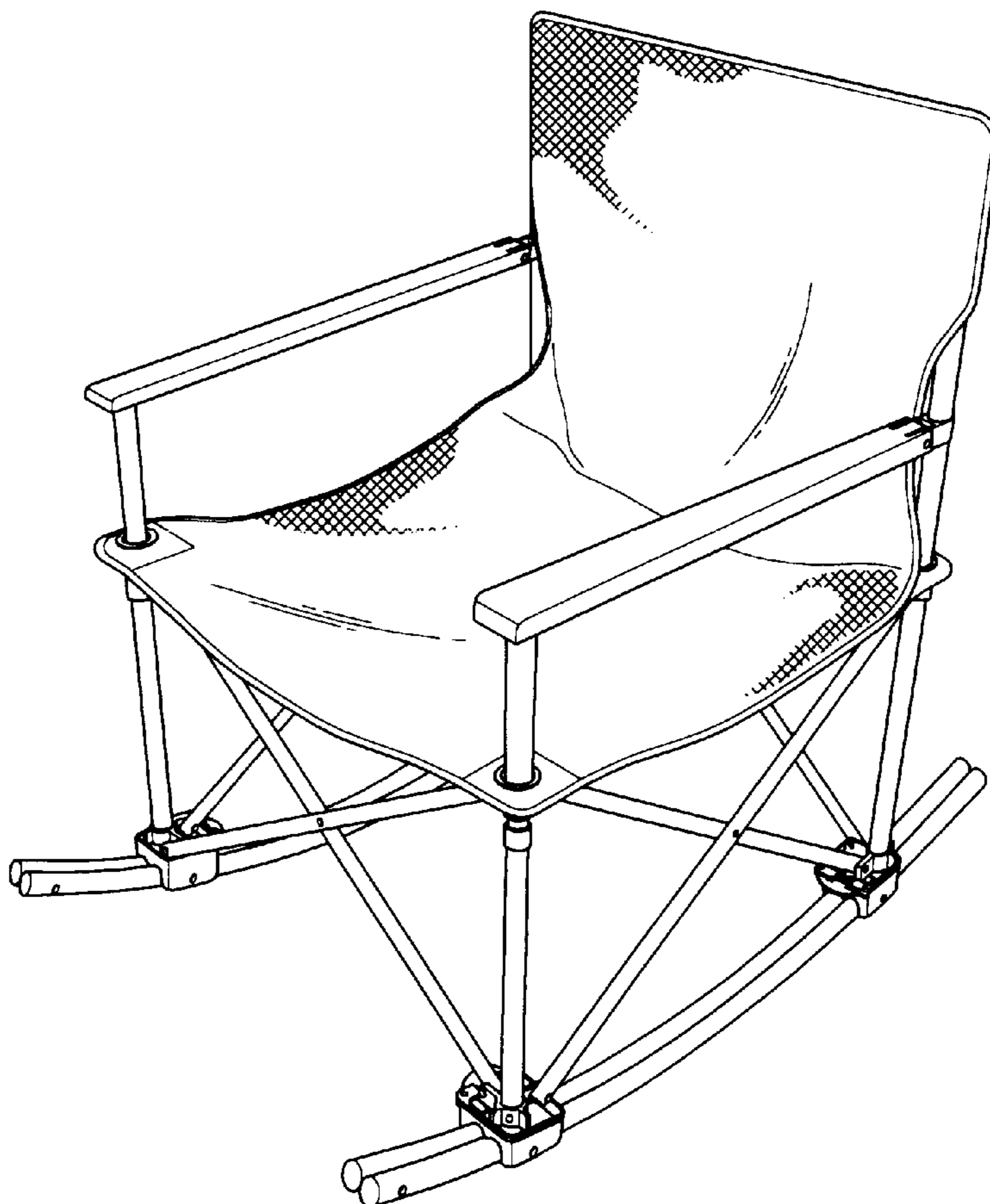
The fragmented depicted of the fabric-like pattern shown on the seat and backrest of the chair in FIGS. 1, 3, 4, 5, and 7 is understood to be continuous throughout.

(56) **References Cited**

U.S. PATENT DOCUMENTS

D11,514 S	*	11/1879	Partridge	D6/348
912,216 A	*	2/1909	Wells	297/23
2,741,298 A	*	4/1956	Roberts, III	297/18
D179,878 S	*	3/1957	Bernier	D6/348
5,992,929 A	*	11/1999	Liu	297/33

1 Claim, 7 Drawing Sheets



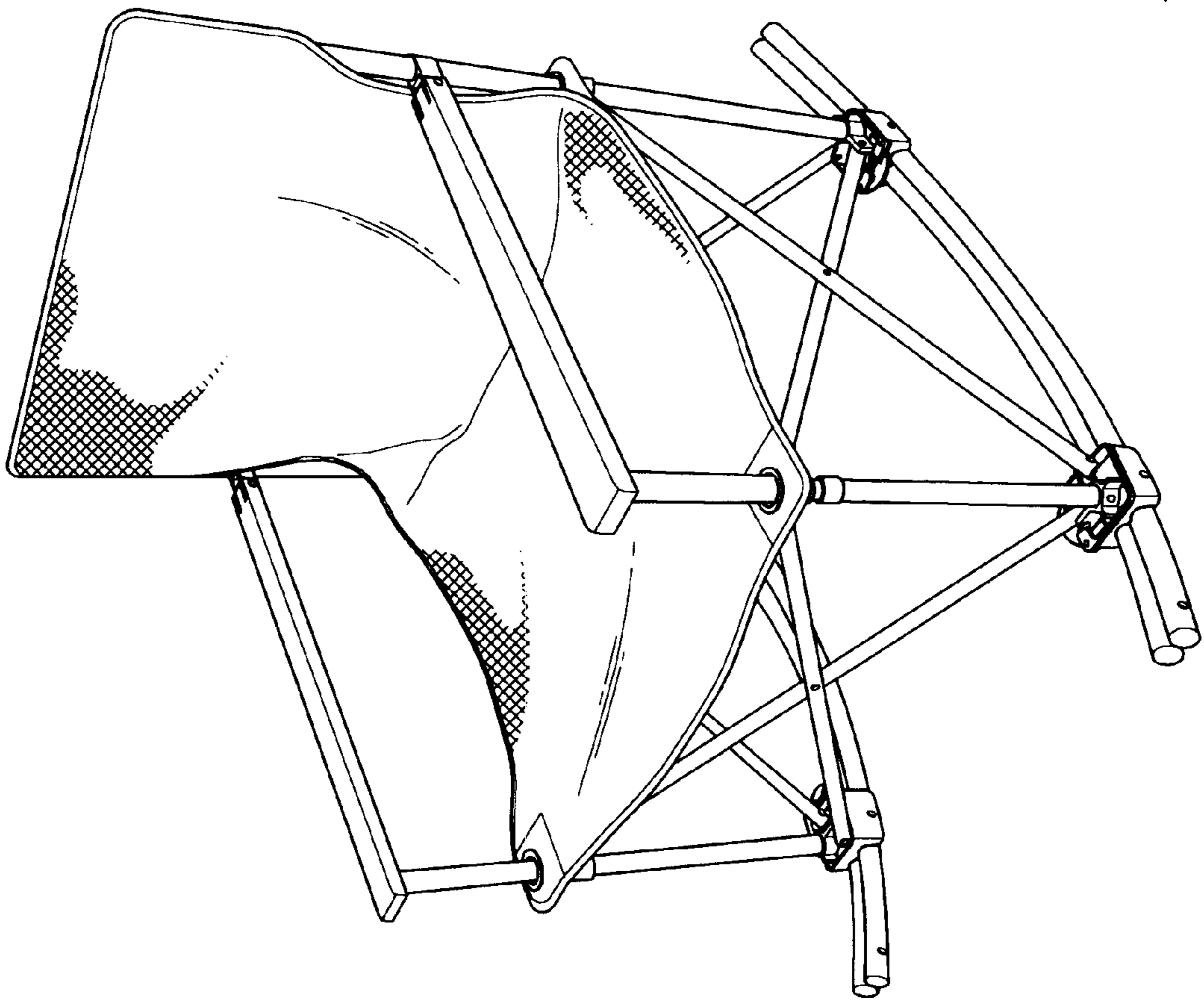


Fig. 1

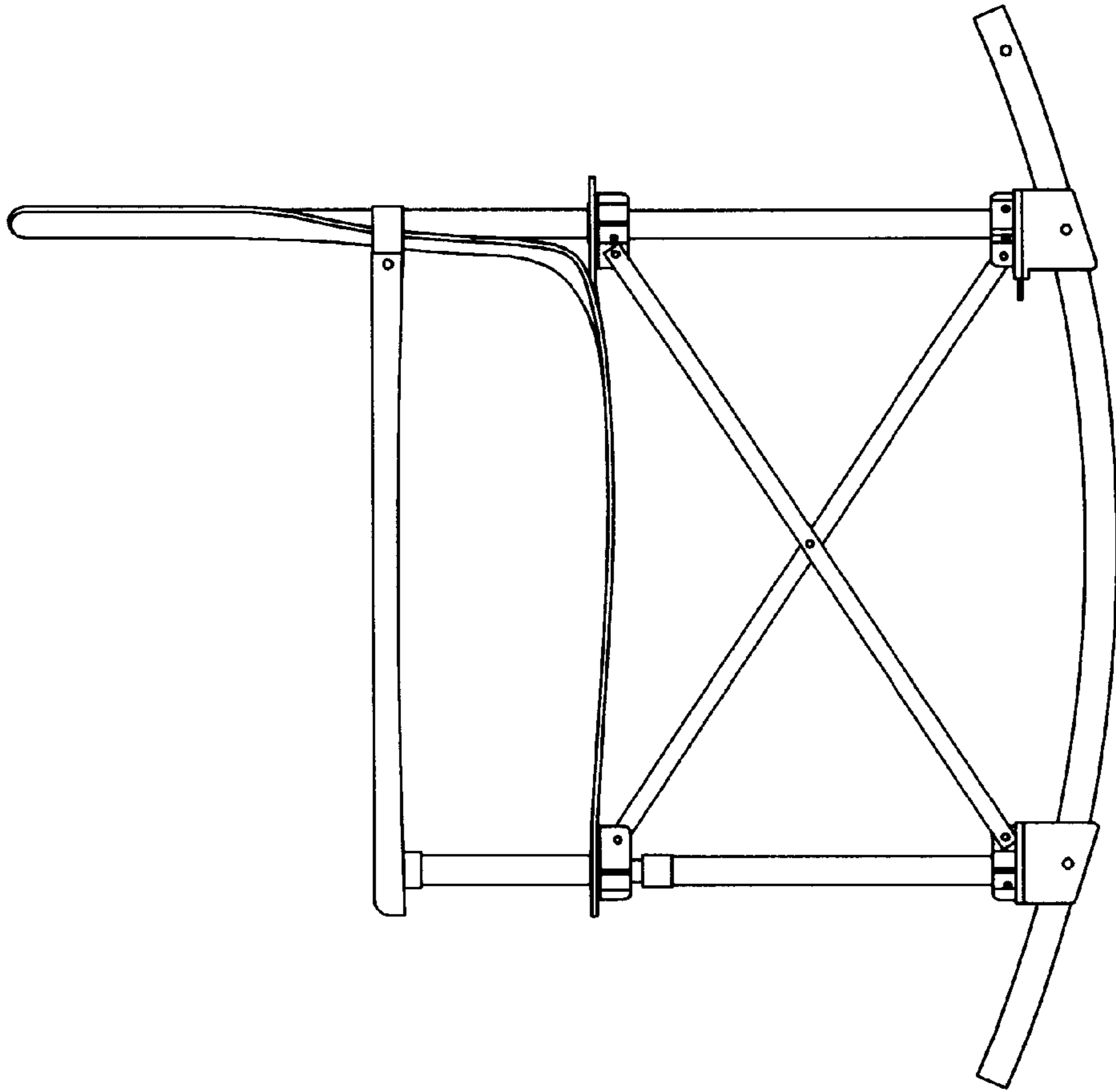


Fig. 2

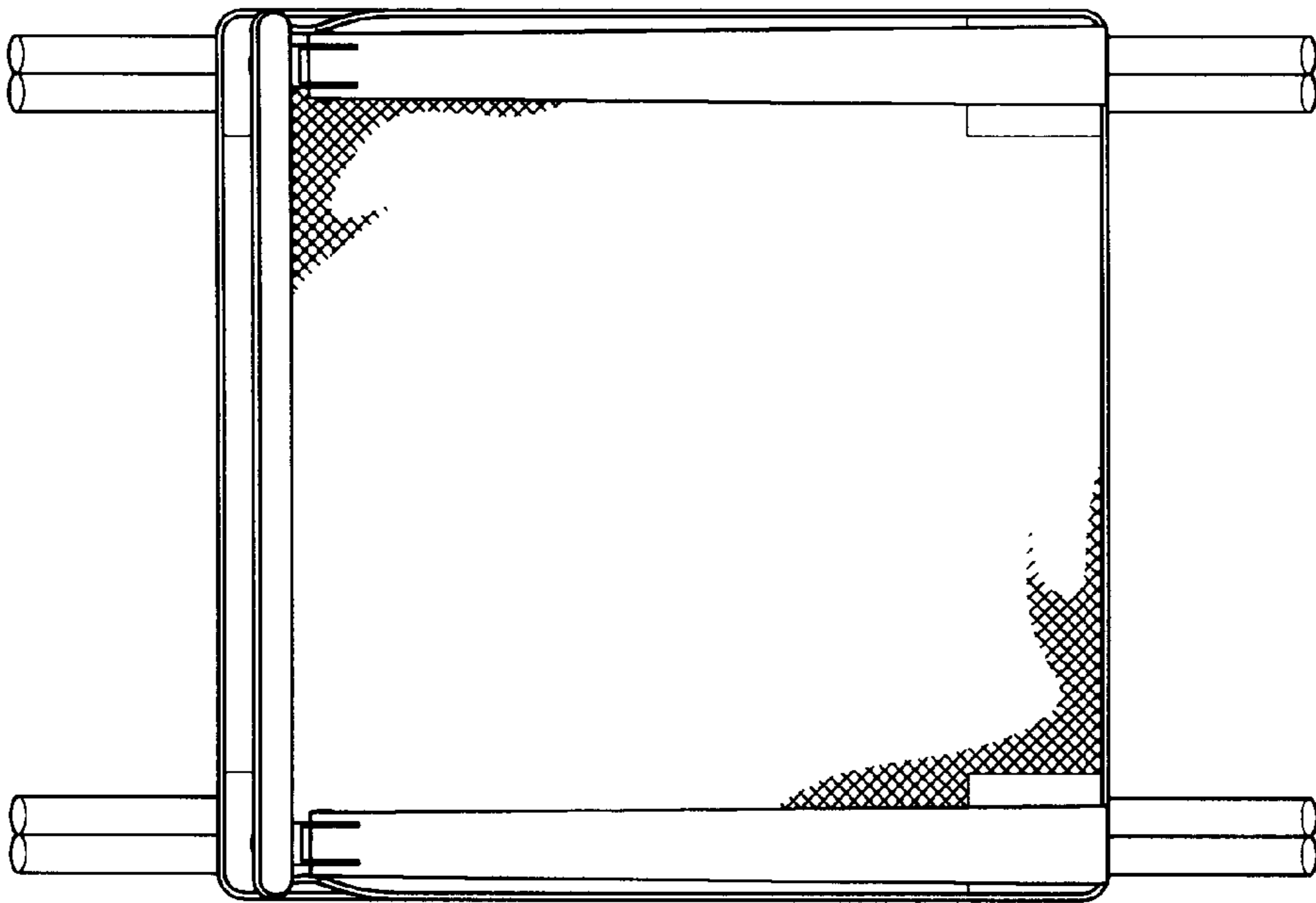


Fig. 3

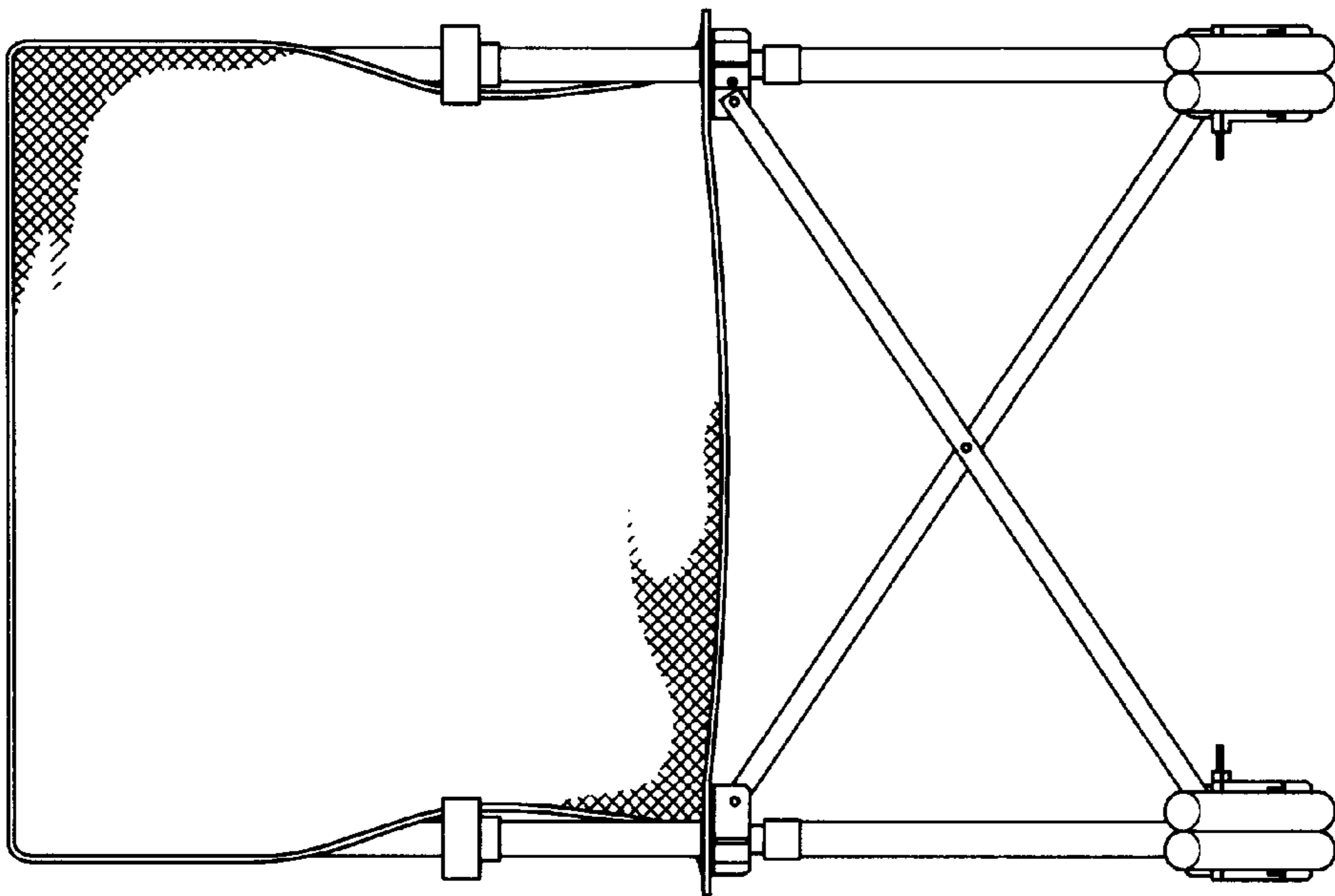


Fig. 4

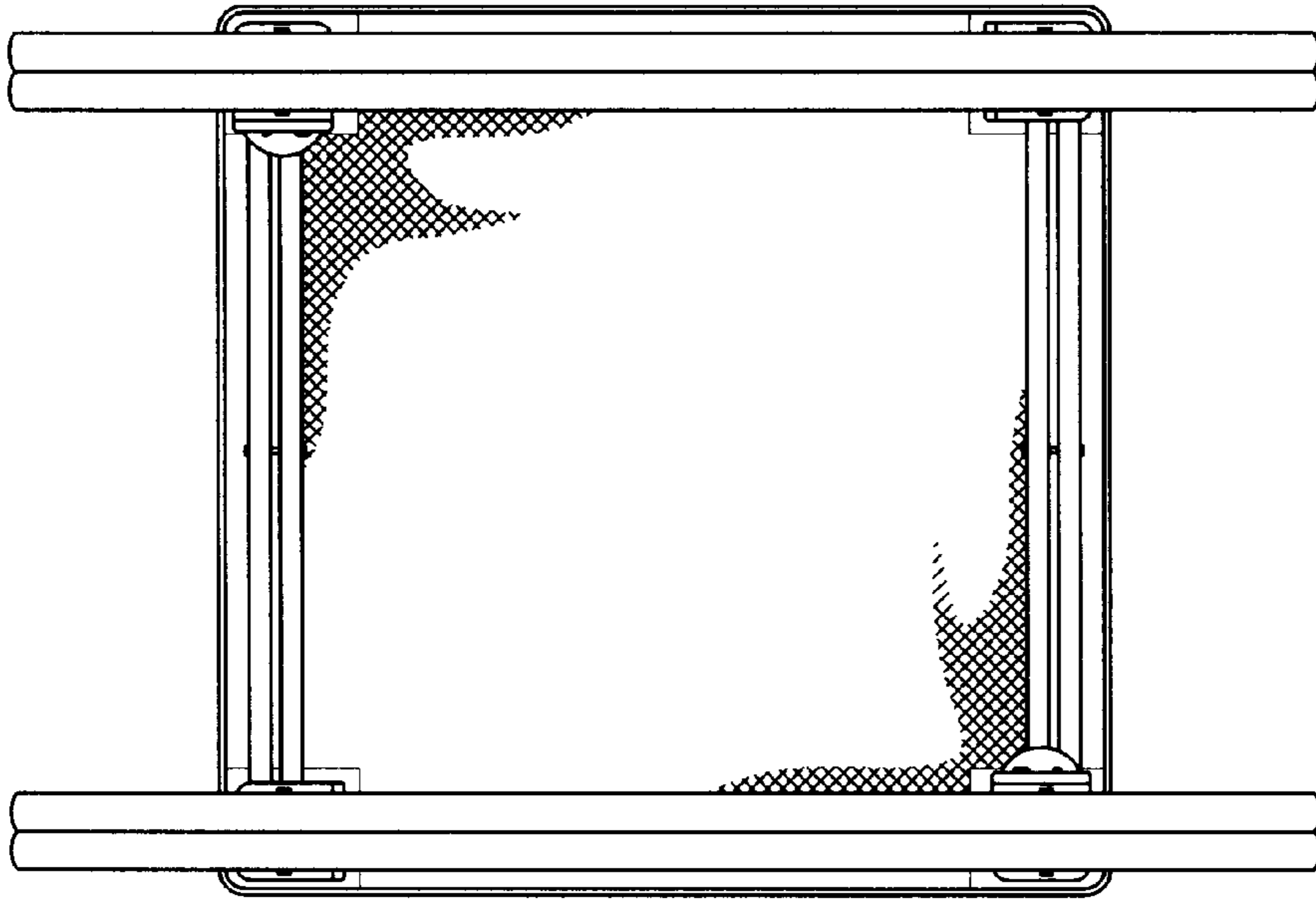


Fig. 5

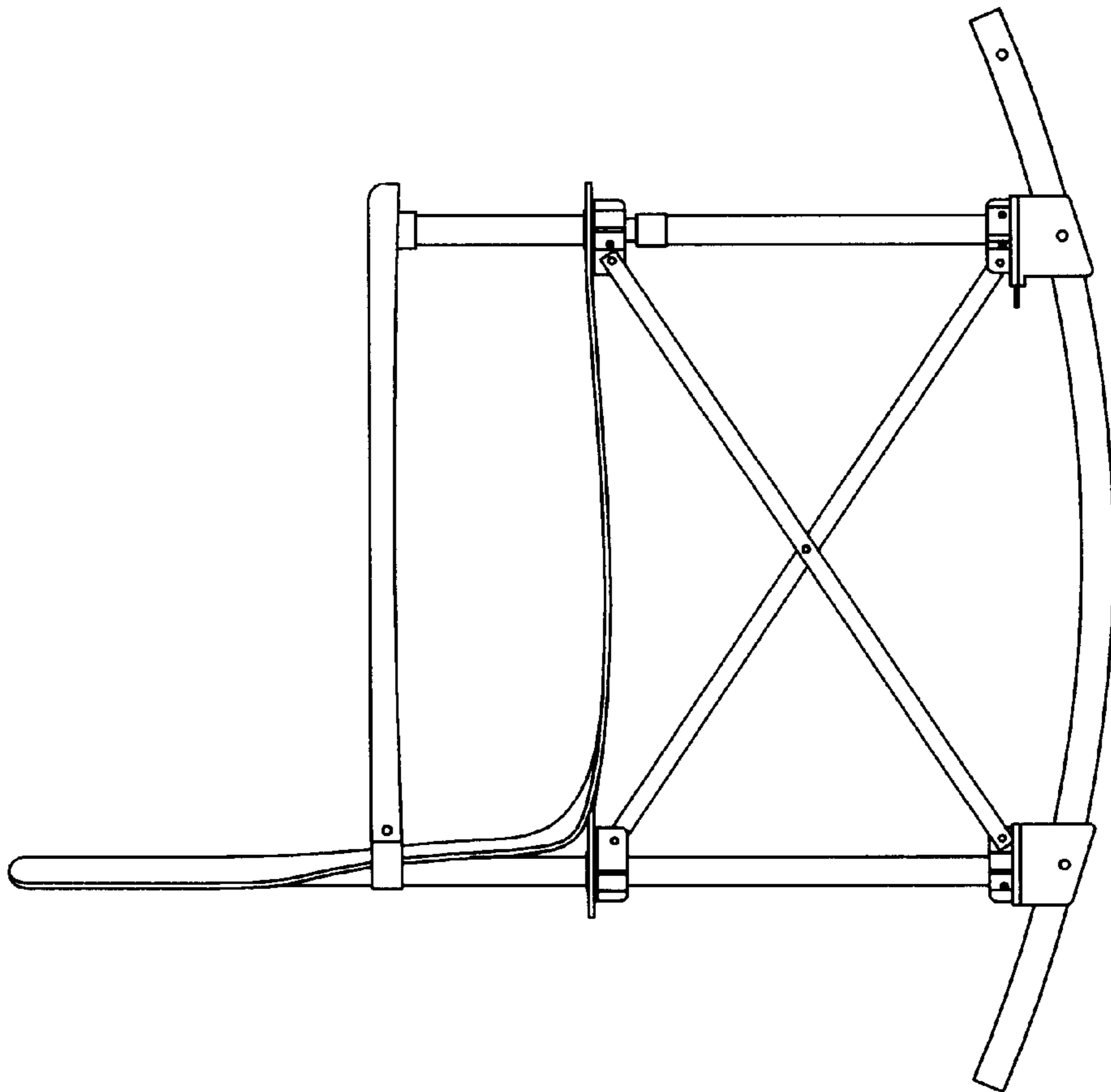


Fig. 6

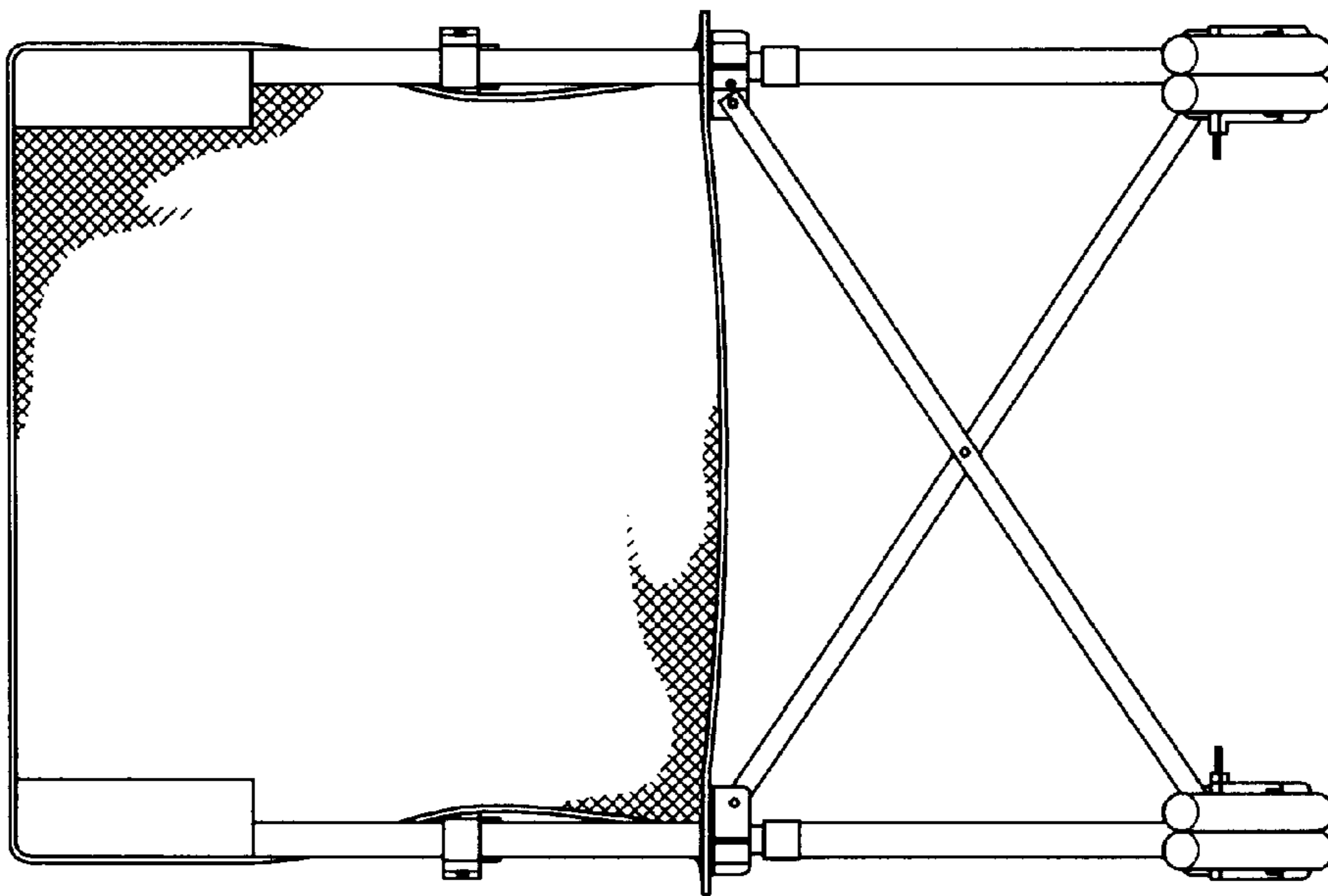


Fig. 7