



US00D455566S

(12) **United States Design Patent**
Park

(10) **Patent No.:** **US D455,566 S**

(45) **Date of Patent:** **** Apr. 16, 2002**

(54) **FOOT MASSAGE CHAIR**

D435,937 S * 1/2001 Back et al. D28/61

(75) Inventor: **Jeung Hoon Park**, Seoul (KR)

* cited by examiner

(73) Assignee: **Beaunix Co., Ltd.** (KR)

Primary Examiner—Doris V. Coles

(**) Term: **14 Years**

Assistant Examiner—Mimosa De

(21) Appl. No.: **29/136,658**

(74) *Attorney, Agent, or Firm*—Harness, Dickey & Pierce,
P.L.C.

(22) Filed: **Feb. 5, 2001**

(57) **CLAIM**

(30) **Foreign Application Priority Data**

The ornamental design for foot massage chair, as shown and described.

Dec. 4, 2000 (KR) 2000-30886

DESCRIPTION

(51) **LOC (7) Cl.** **06-01**

FIG. 1 is a perspective view of foot massage chair according to my new design;

(52) **U.S. Cl.** **D6/336**

FIG. 2 is a front view of foot massage chair according to my new design;

(58) **Field of Search** D6/333–336, 360,
D6/361, 367, 500–502; D28/56, 61; 4/574.1,
622; 297/182, 188.01, 188.09, 310, 243.21

FIG. 3 is a rear view of foot massage chair according to my new design;

(56) **References Cited**

FIG. 4 is a left side view of foot massage chair according to my new design;

U.S. PATENT DOCUMENTS

FIG. 5 is a right side view of foot massage chair according to my new design;

D303,162 S * 8/1989 Meyerovich et al. D28/61

FIG. 6 is a top plan view of foot massage chair according to my new design; and,

D412,600 S * 8/1999 Oh et al. D28/56

FIG. 7 is a bottom view of foot massage chair according to my new design.

D424,819 S * 5/2000 Galati, Jr. et al. D6/336

D429,379 S * 8/2000 Kim D28/56

D429,380 S * 8/2000 Frontier et al. D28/56

D434,916 S * 12/2000 Galati, Jr. et al. D6/336

1 Claim, 7 Drawing Sheets

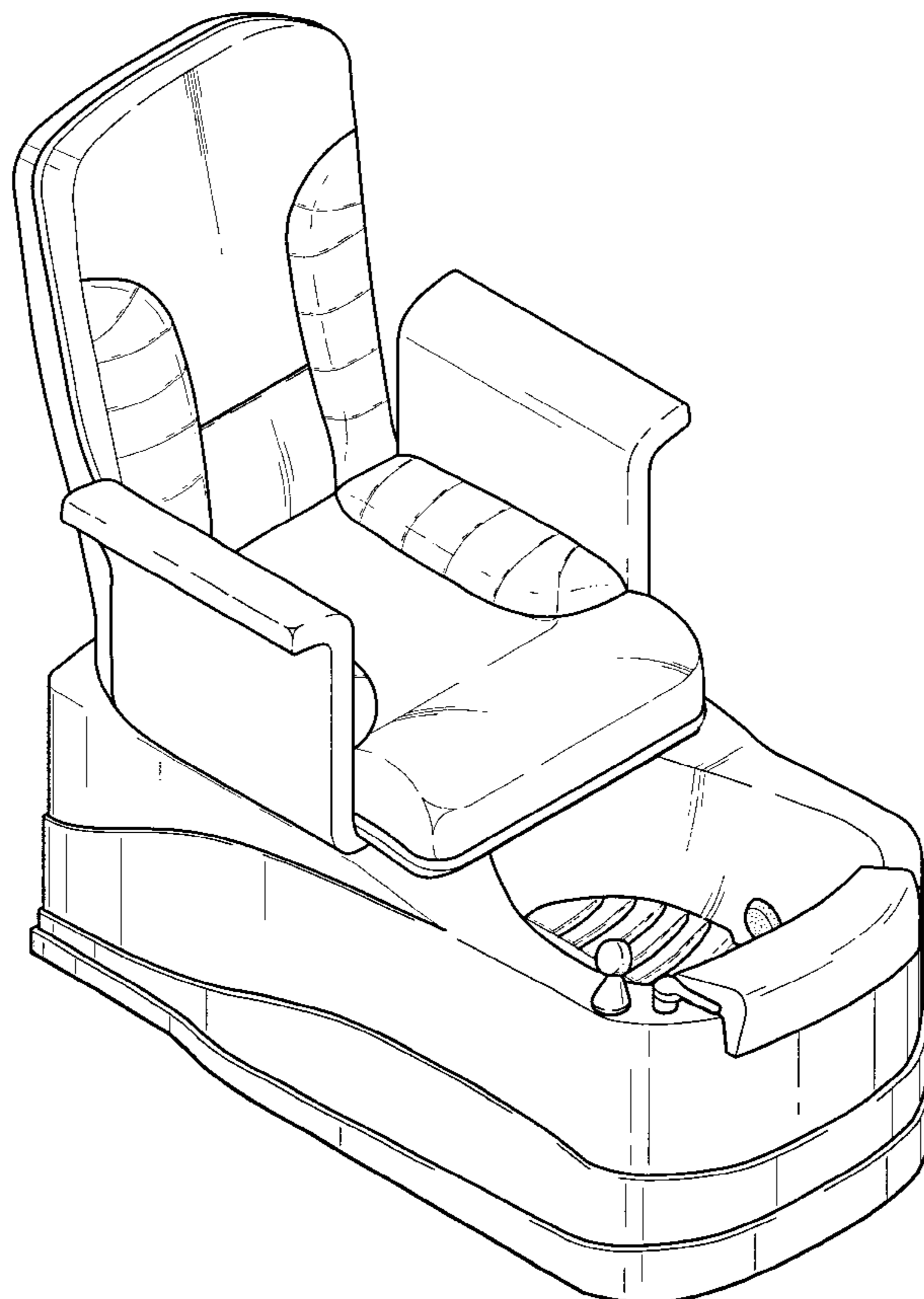


Fig. 1

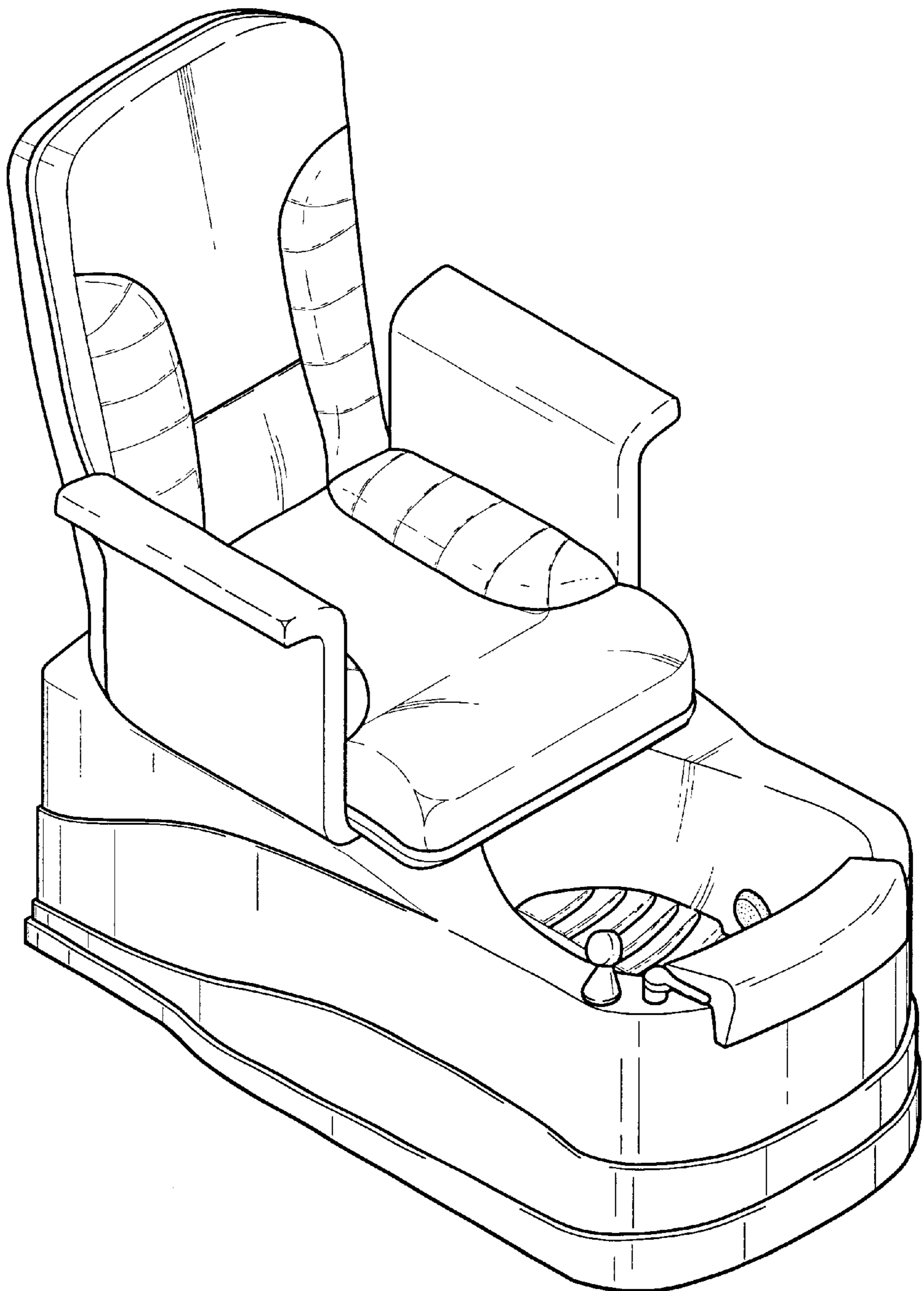


Fig. 2

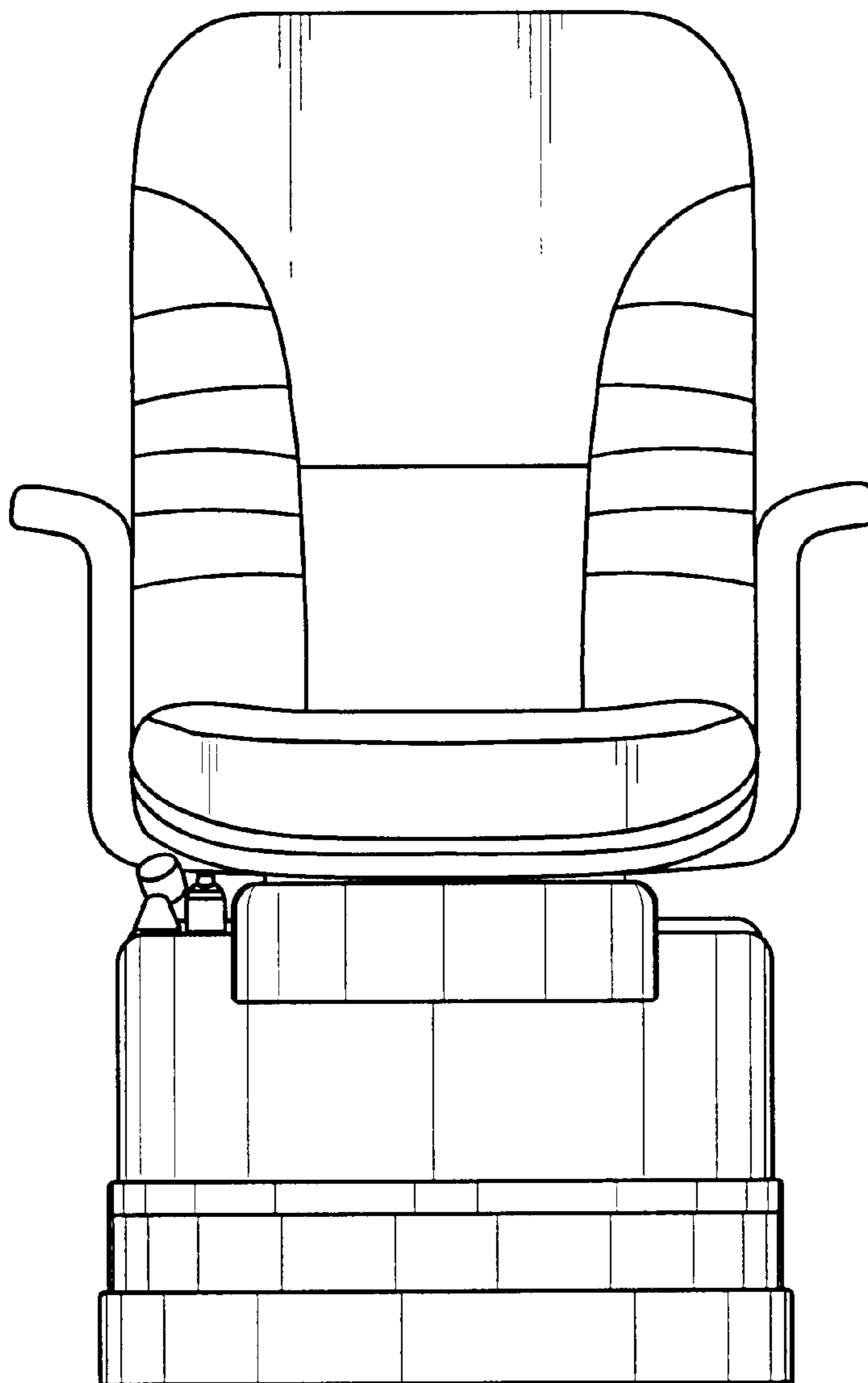


Fig. 3

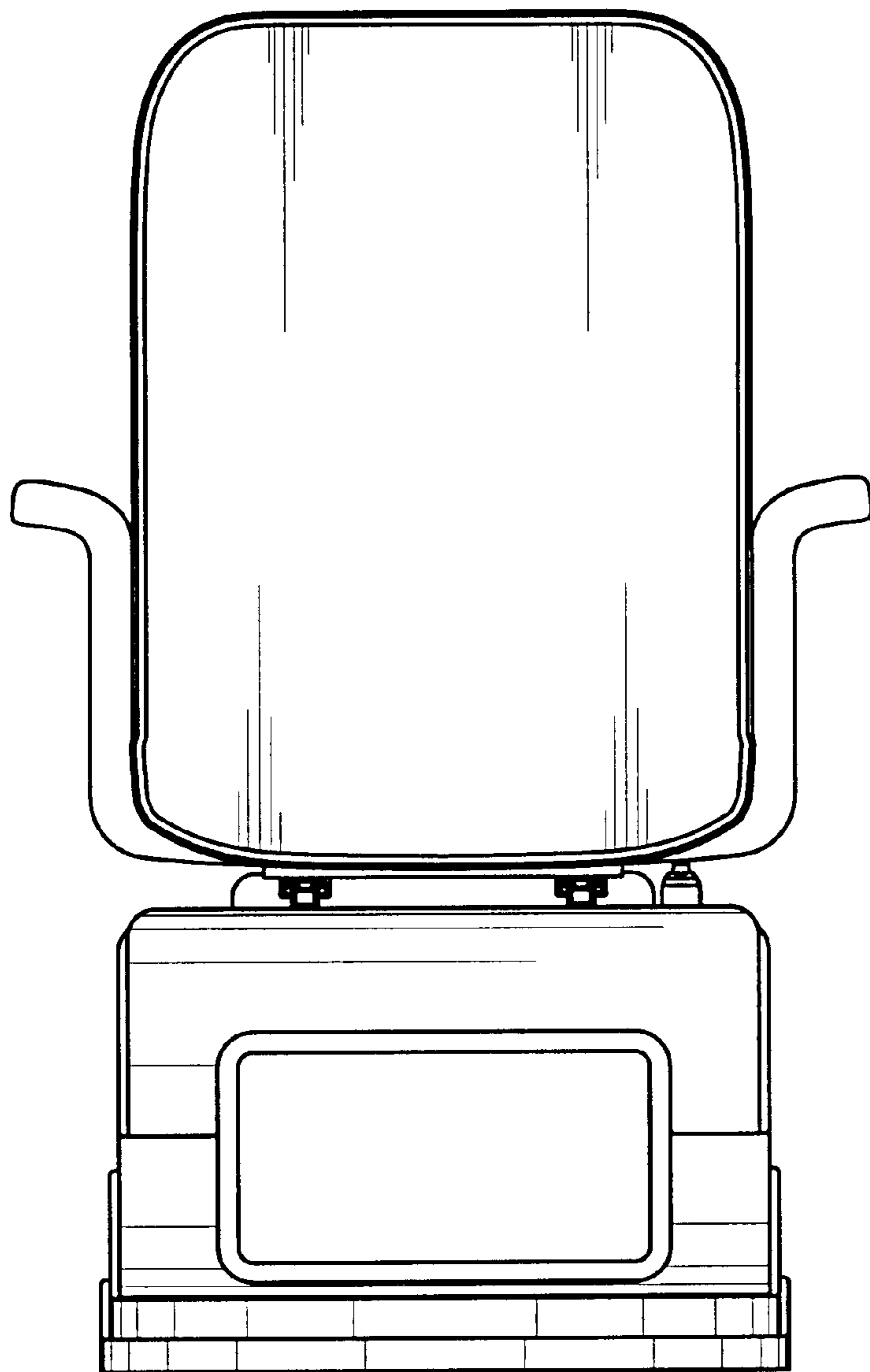


Fig. 4

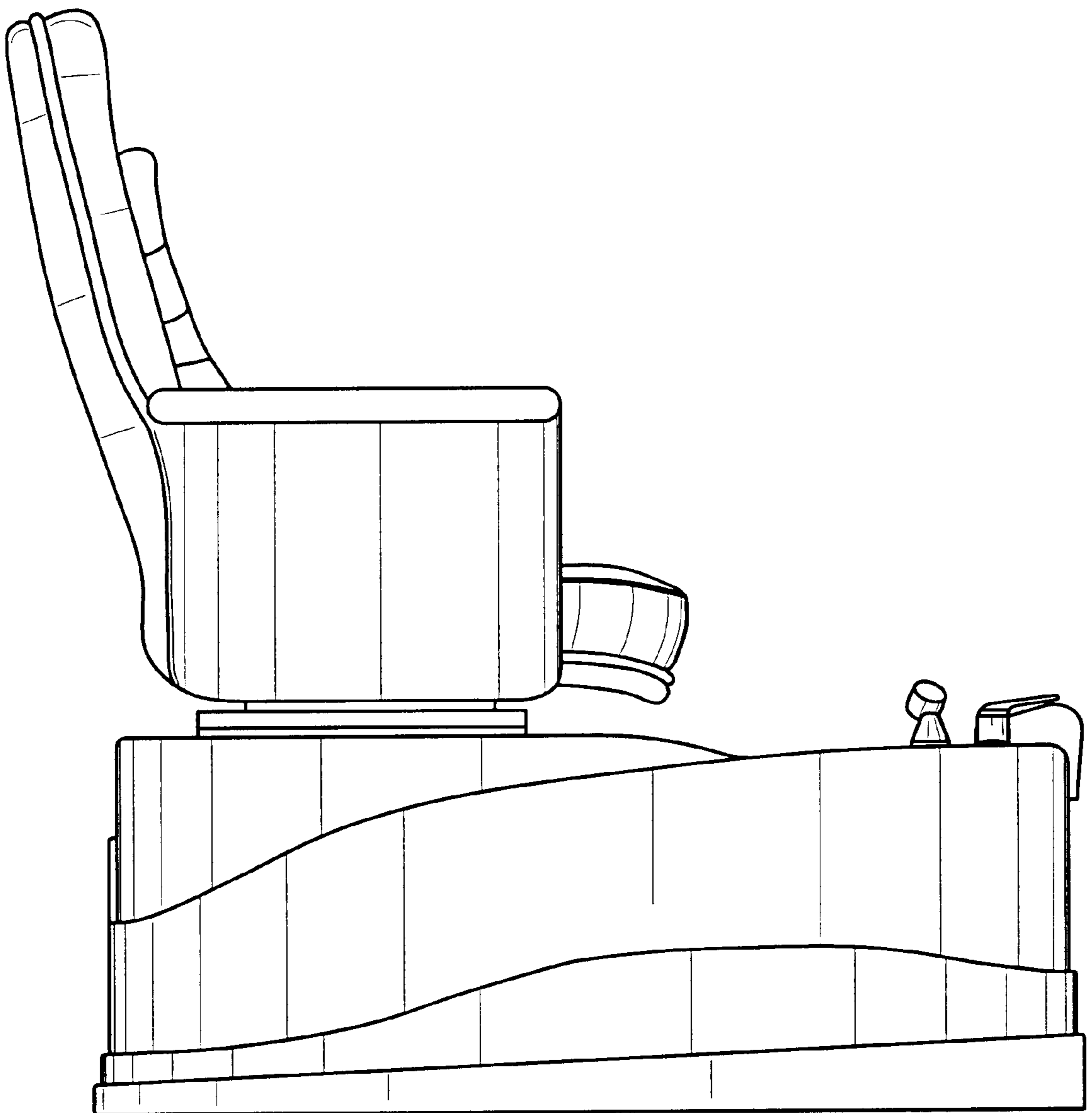


Fig. 5

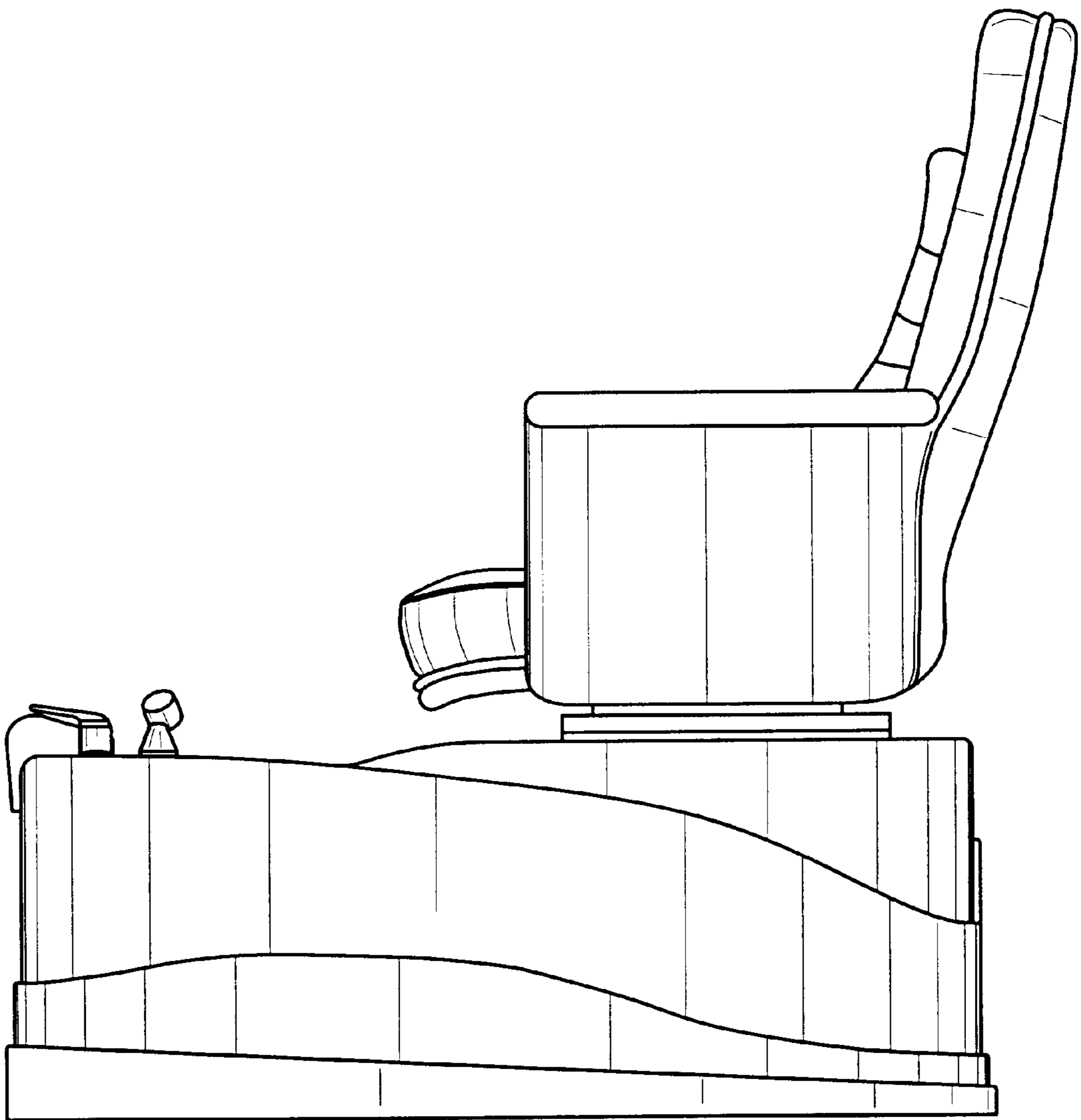


Fig. 6

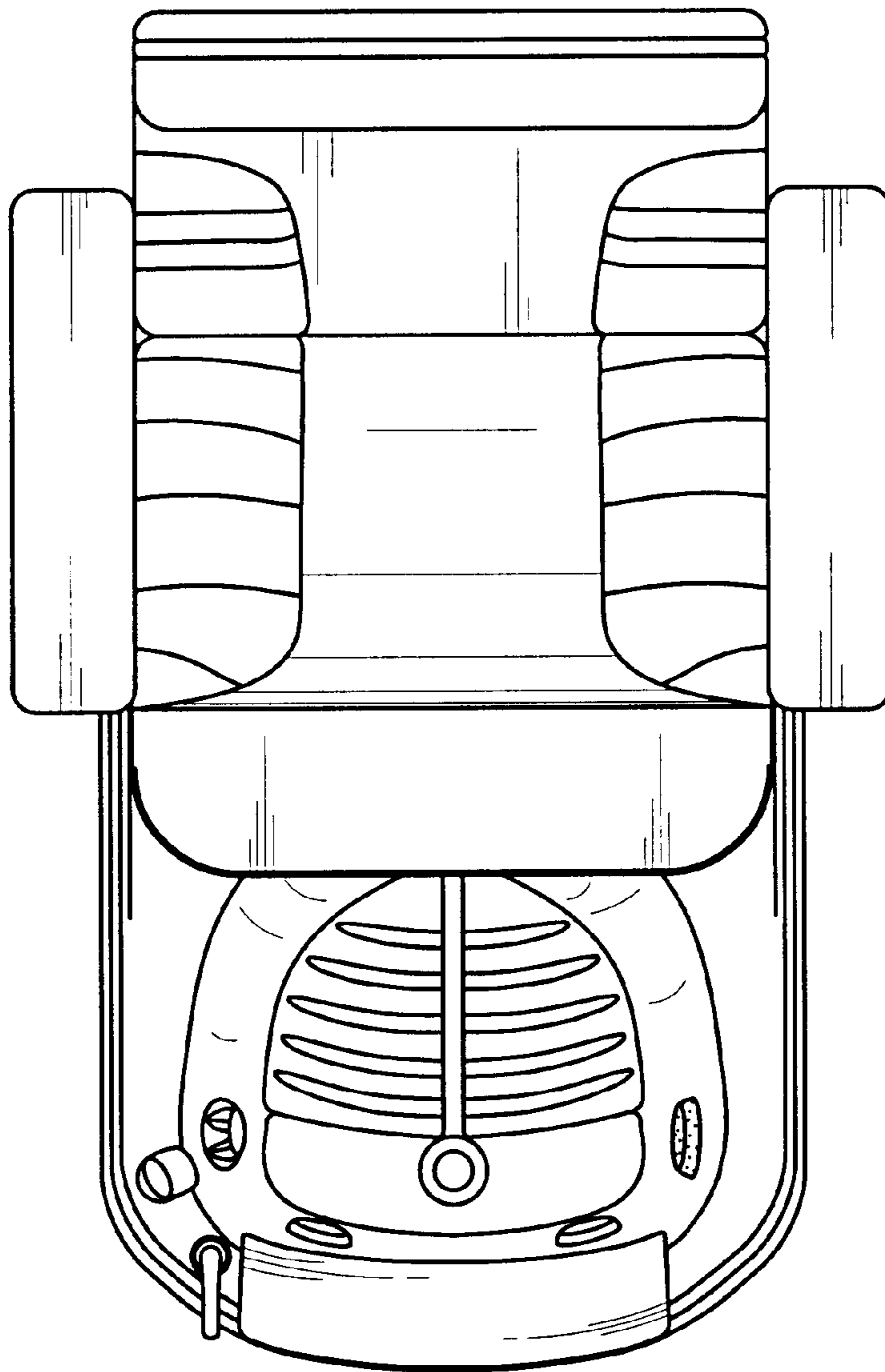


Fig. 7

