



US00D45550S

(12) **United States Design Patent**  
**Wolf**

(10) **Patent No.:** **US D455,550 S**

(45) **Date of Patent:** **\*\* Apr. 16, 2002**

(54) **ROUND JEWEL BOX**

6,045,202 A \* 4/2000 Simon  
6,234,340 B1 \* 5/2001 Bannister ..... 206/581

(75) Inventor: **Simon Wolf**, Malibu, CA (US)

\* cited by examiner

(73) Assignee: **Wolf Designs, Inc.**, Malibu, CA (US)

*Primary Examiner*—Lucy Lieberman

(\*\*) Term: **14 Years**

(74) *Attorney, Agent, or Firm*—Cislo & Thomas LLP

(21) Appl. No.: **29/138,619**

(57) **CLAIM**

(22) Filed: **Mar. 16, 2001**

The ornamental design for a round jewel box, as shown and described.

(51) **LOC (7) Cl.** ..... **03-01**

**DESCRIPTION**

(52) **U.S. Cl.** ..... **D3/275; D3/284; D3/291**

(58) **Field of Search** ..... D3/903, 901, 291,  
D3/294–297, 20, 201, 205, 203, 273–276,  
281–286, 302–301; 190/110, 102, 109,  
111; 206/457, 6.1, 581, 823, 566, 235

FIG. 1 is a perspective view of a round jewel box showing my new design in the open position with the interior tray shown outside of the jewel box;

FIG. 2 is a perspective view of the round jewel box in the assembled position;

FIG. 3 is a front view thereof;

FIG. 4 is a rear view thereof;

FIG. 5 is a left side elevational view thereof;

FIG. 6 is a right side elevational view thereof;

FIG. 7 is a bottom plan view thereof; and,

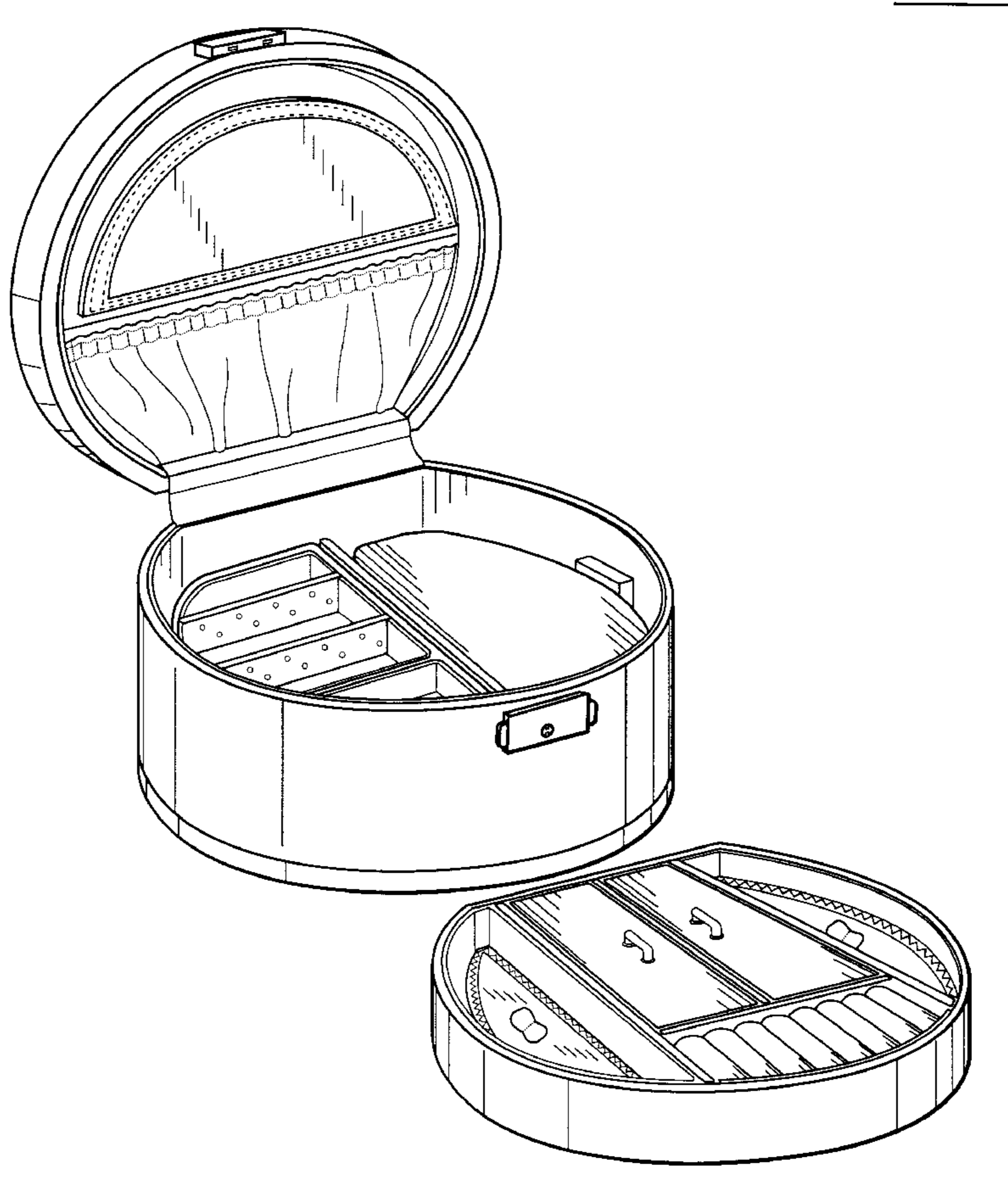
FIG. 8 is a top plan view thereof.

(56) **References Cited**

**U.S. PATENT DOCUMENTS**

1,650,367	A	*	11/1927	Lacher	.....	190/109
2,937,728	A	*	5/1960	Koffler	.....	190/110
D381,200	S	*	7/1997	Benson	.....	D3/291
D416,135	S	*	11/1999	Chen	.....	D3/905
D417,783	S	*	12/1999	Wolf	.....	D3/275
D417,957	S	*	12/1999	Wolf	.....	D3/903

**1 Claim, 3 Drawing Sheets**



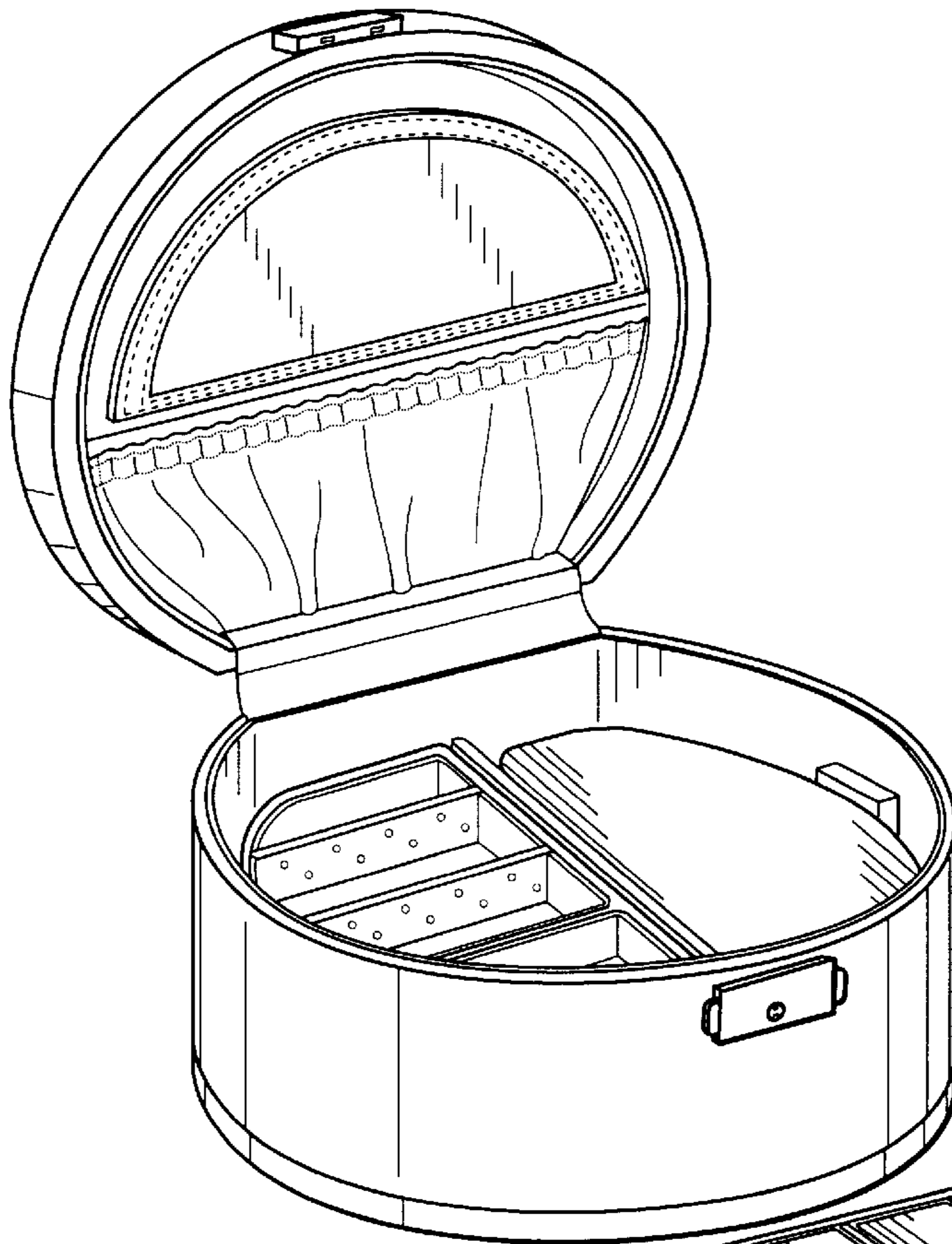


FIG. 1

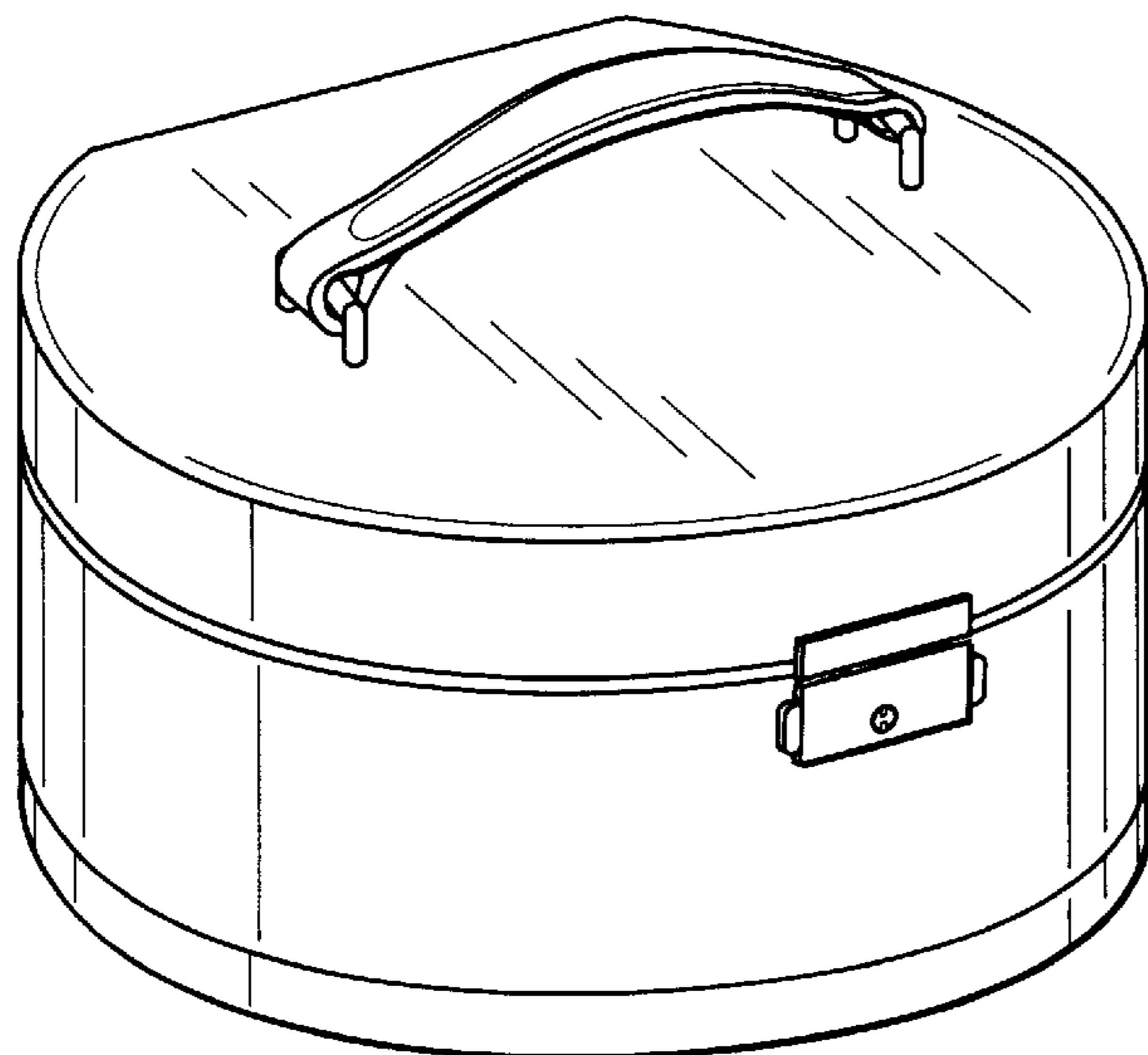
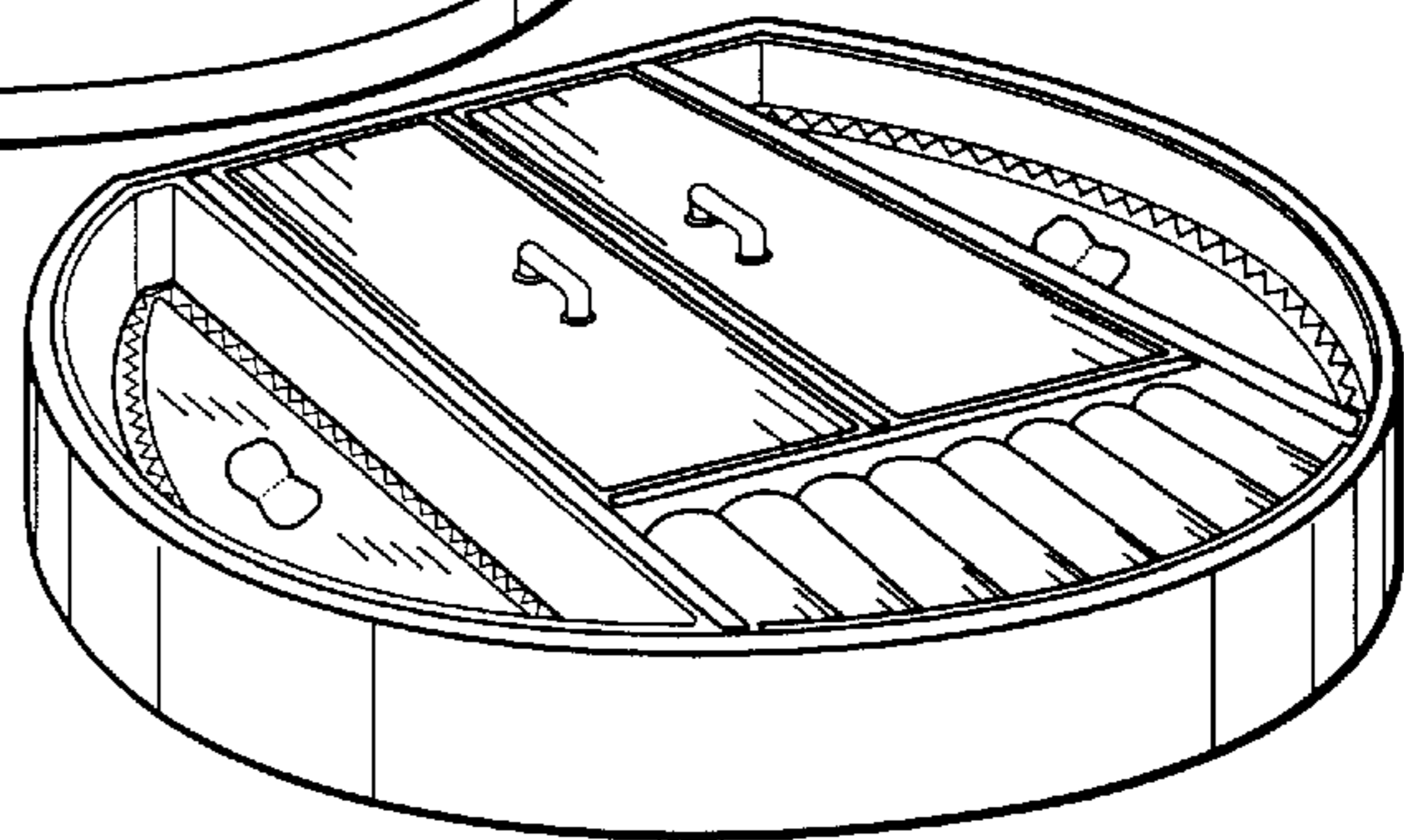


FIG. 2

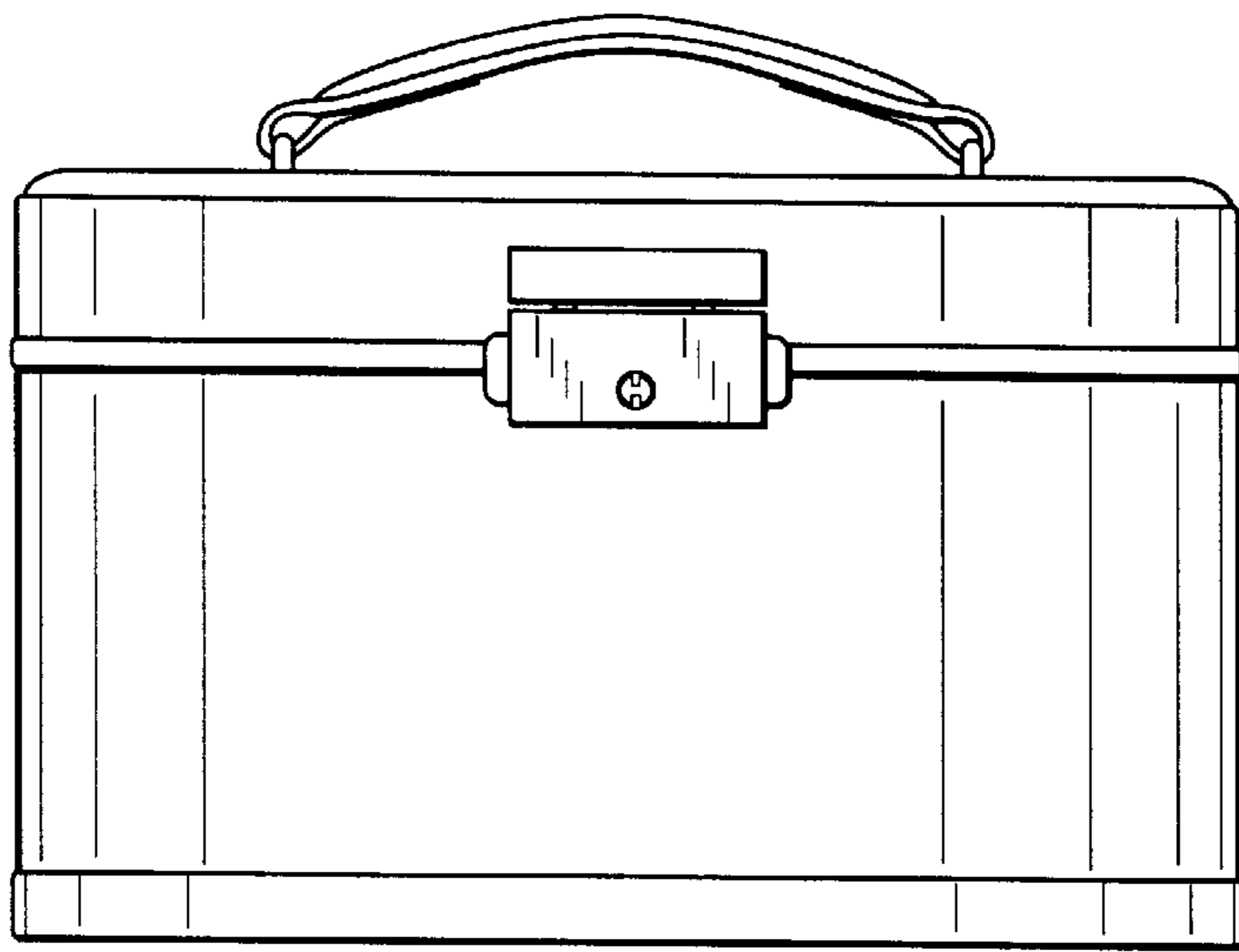


FIG. 3

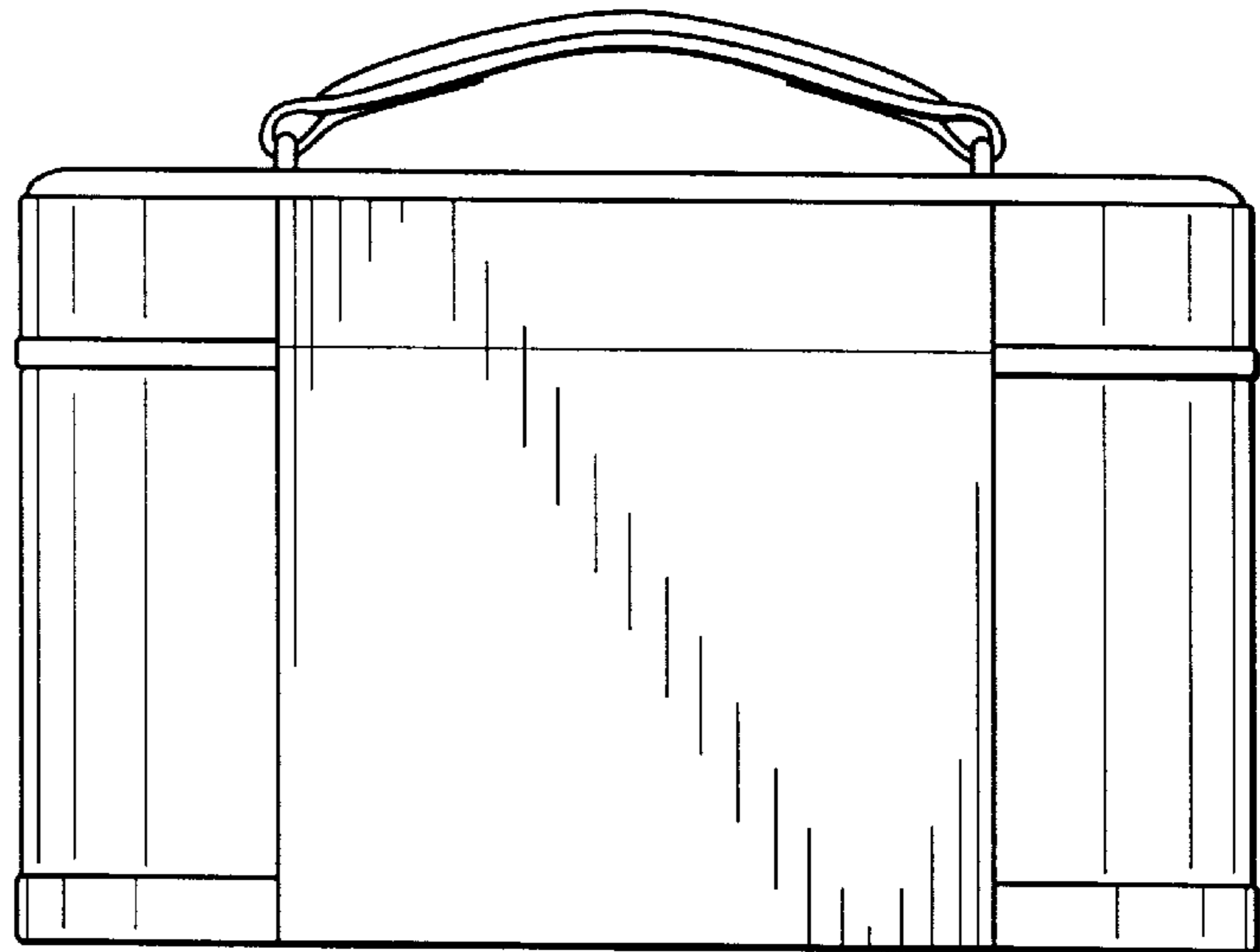


FIG. 4

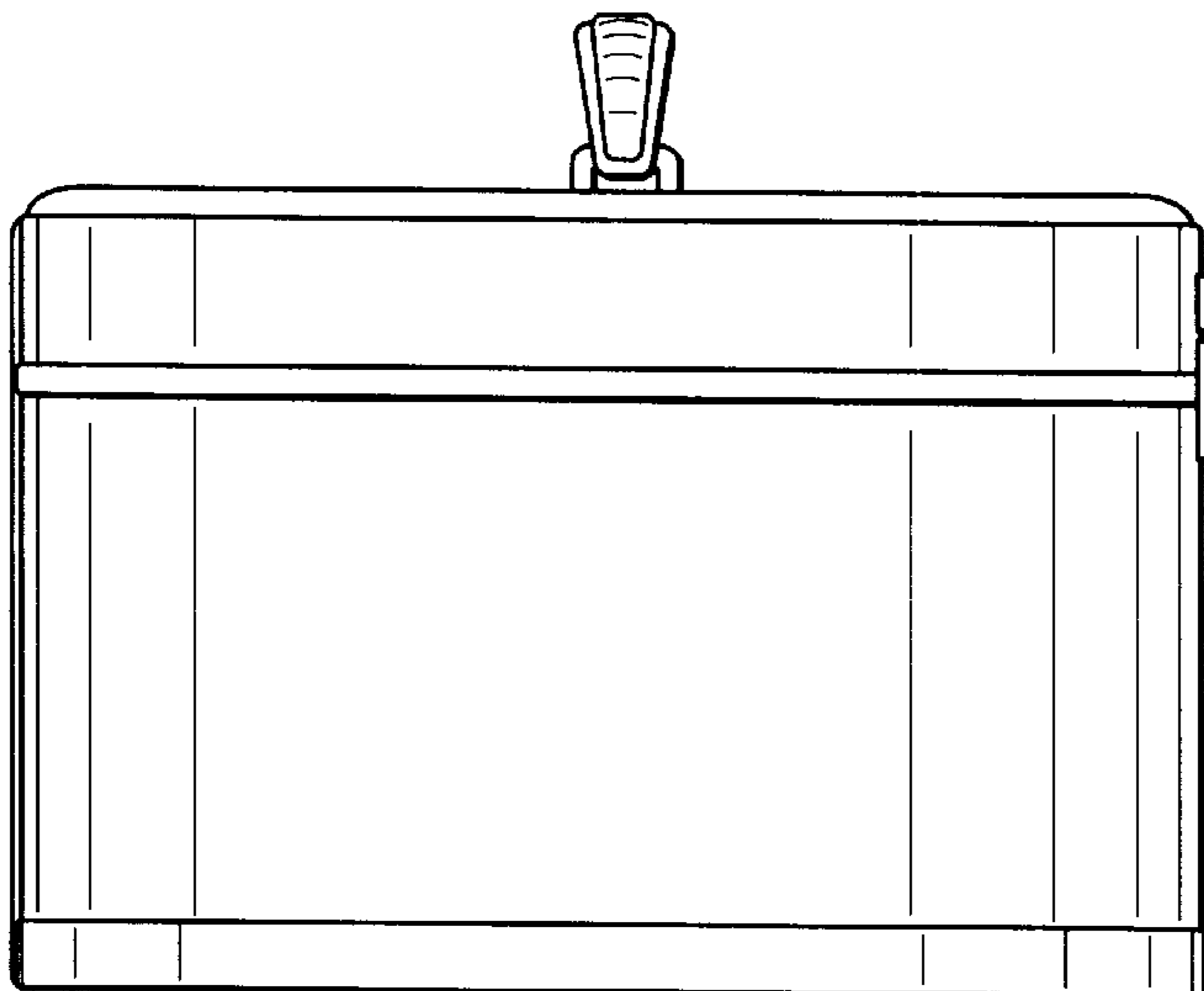


FIG. 5

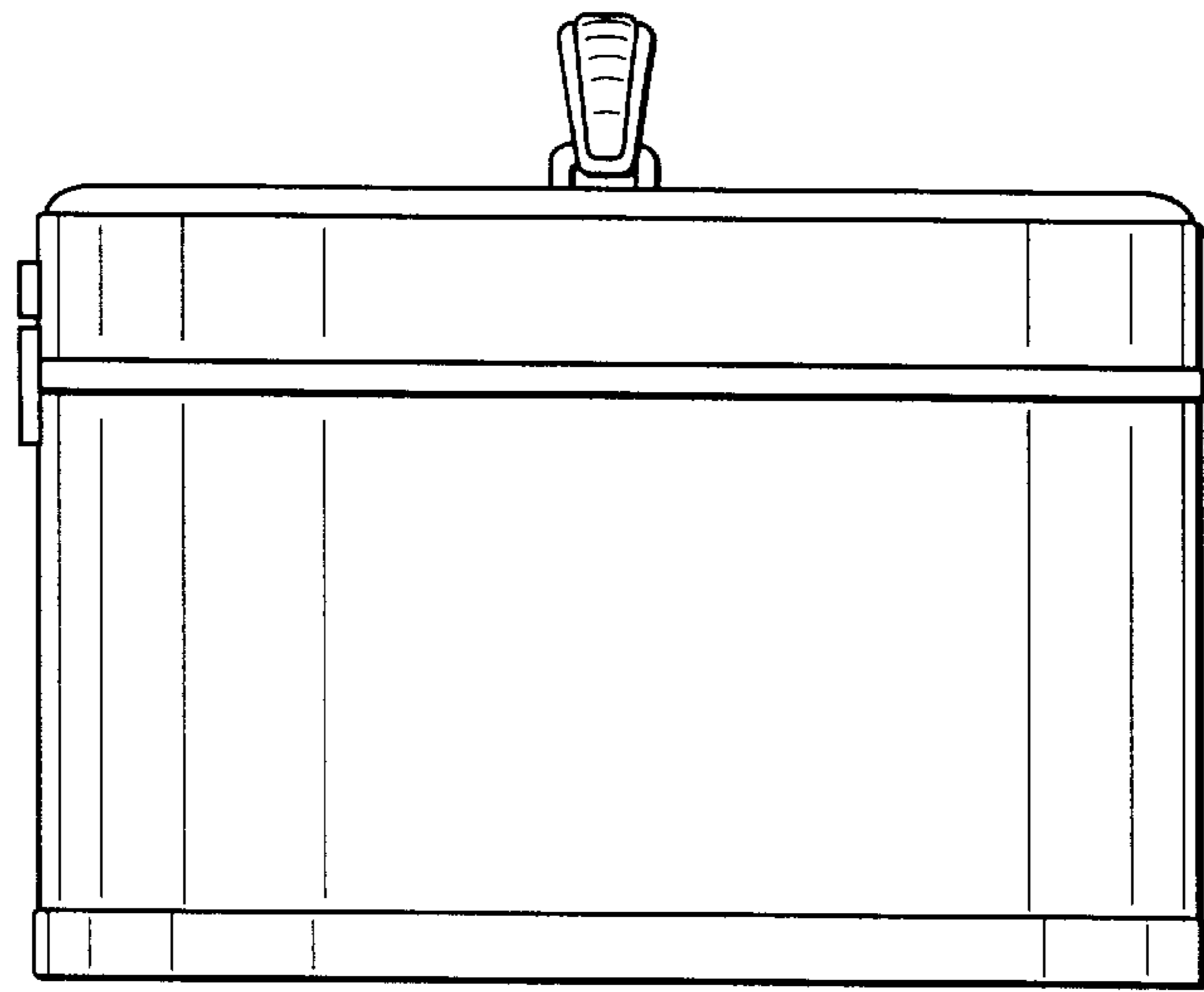


FIG. 6

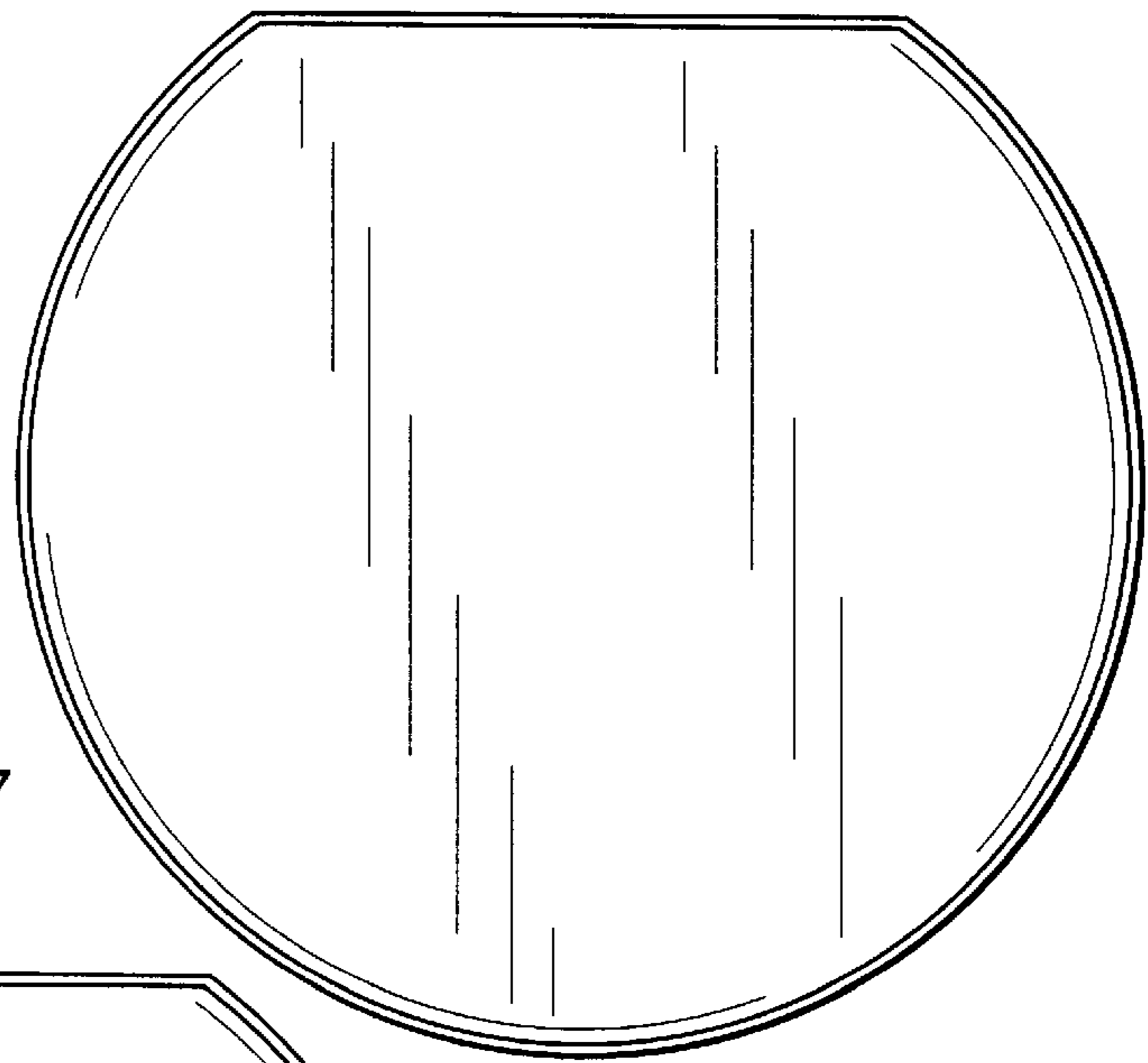


FIG. 7

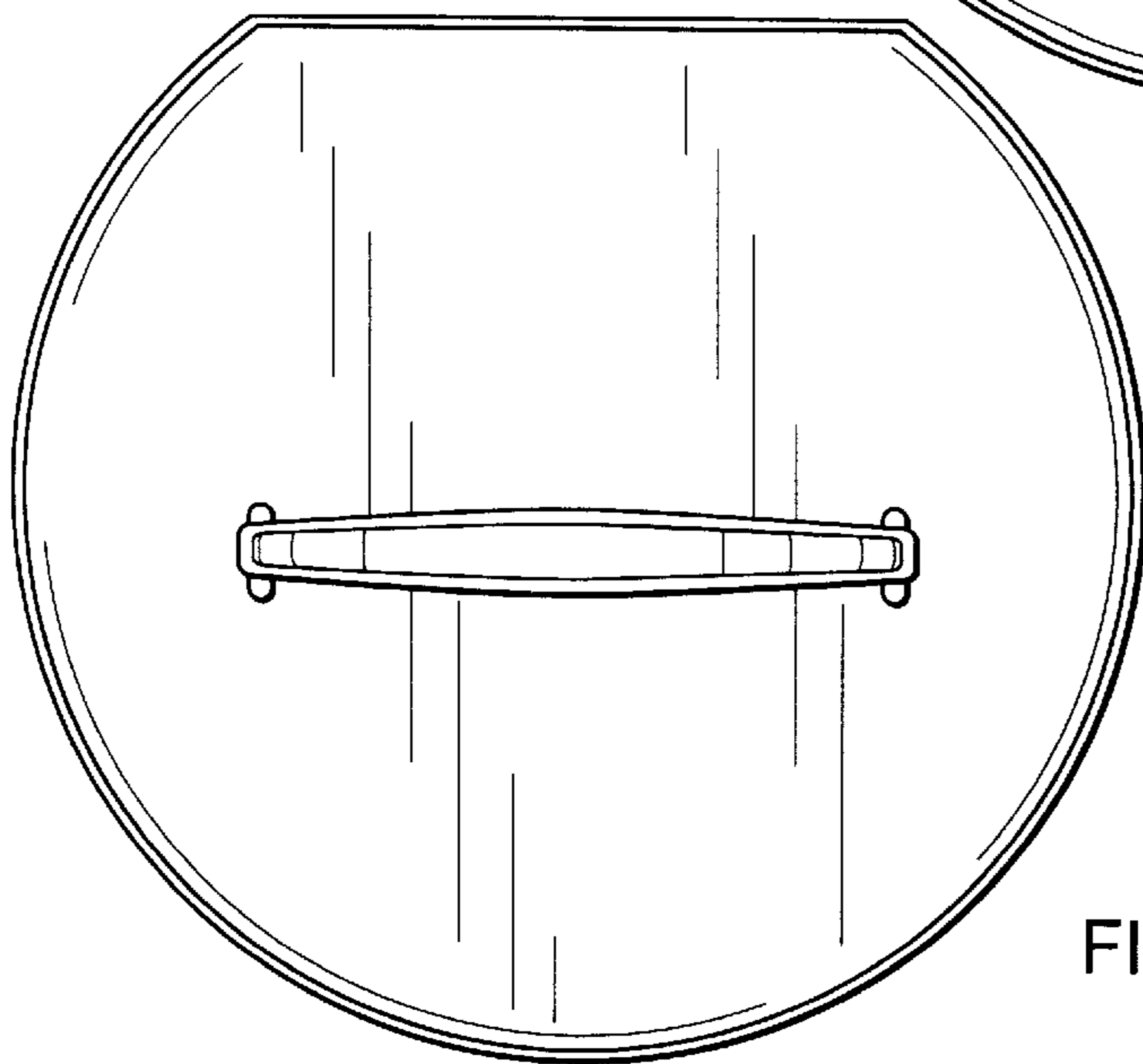


FIG. 8