



US00D455549S

(12) **United States Design Patent**
Hersh et al.

(10) **Patent No.:** **US D455,549 S**

(45) **Date of Patent:** **** Apr. 16, 2002**

(54) **EXTERIOR COMPARTMENT FOR
HANDBAG**

(75) Inventors: **Ahron Hersh**, Brooklyn, NY (US); **Chi Yueh Chen**, Taipei (TW)

(73) Assignee: **Rosetti Handbags and Accessories Ltd.**, New York, NY (US)

(**) Term: **14 Years**

(21) Appl. No.: **29/135,293**

(22) Filed: **Jan. 9, 2001**

(51) **LOC (7) Cl.** **03-01**

(52) **U.S. Cl.** **D3/232**

(58) **Field of Search** D3/232, 233, 234, D3/238, 243, 245, 246, 303, 318, 319, 321, 323; 150/100, 101, 106, 108, 109, 111, 112, 113, 117; 190/109, 111, 125, 127; 383/22, 907; 224/409, 411

(56) **References Cited**

U.S. PATENT DOCUMENTS

1,810,894	A	*	7/1931	Cotler et al.	150/106
D332,696	S	*	1/1993	Kendrick	224/411 X
5,702,038	A	*	12/1997	Miller et al.	150/108 X
D389,649	S	*	1/1998	Miller et al.	D3/319
D390,700	S	*	2/1998	Miller et al.	D3/246
D441,527	S	*	5/2001	Hersh et al.	D3/232 X

* cited by examiner

Primary Examiner—Louis S. Zarfaz

Assistant Examiner—Monica A. Weingart

(74) *Attorney, Agent, or Firm*—Abelman, Frayne & Schwab

(57) **CLAIM**

The ornamental design for an exterior compartment for handbag, as shown and described.

DESCRIPTION

FIG. 1 is a top and left side perspective view of an exterior compartment for handbag, the exterior compartment for handbag being in an open condition for illustrative purposes only and positioned on a side panel of a handbag, the details inside the exterior compartment for handbag and the handbag being shown in broken lines for environmental purposes only and not being part of the claimed design;

FIG. 2 is an enlarged top plan view thereof with the exterior compartment for handbag in the closed condition;

FIG. 3 is an enlarged left side elevational view thereof;

FIG. 4 is an enlarged front elevational view thereof;

FIG. 5 is an enlarged right side elevational view thereof;

FIG. 6 is an enlarged bottom plan view thereof;

FIG. 7 is a top and left side perspective view of an exterior compartment for handbag, showing stitches in broken lines, the exterior compartment for handbag being in an open condition for illustrative purposes only and positioned on a side panel of a handbag, the details inside the exterior compartment for handbag and the handbag being shown in broken lines for environmental purposes only and not being part of the claimed design;

FIG. 8 is an enlarged top plan view thereof with the exterior compartment for handbag in the closed condition;

FIG. 9 is an enlarged left side elevational view thereof;

FIG. 10 is an enlarged front elevational view thereof;

FIG. 11 is an enlarged right side elevational view thereof; and,

FIG. 12 is an enlarged bottom plan view thereof.

1 Claim, 4 Drawing Sheets

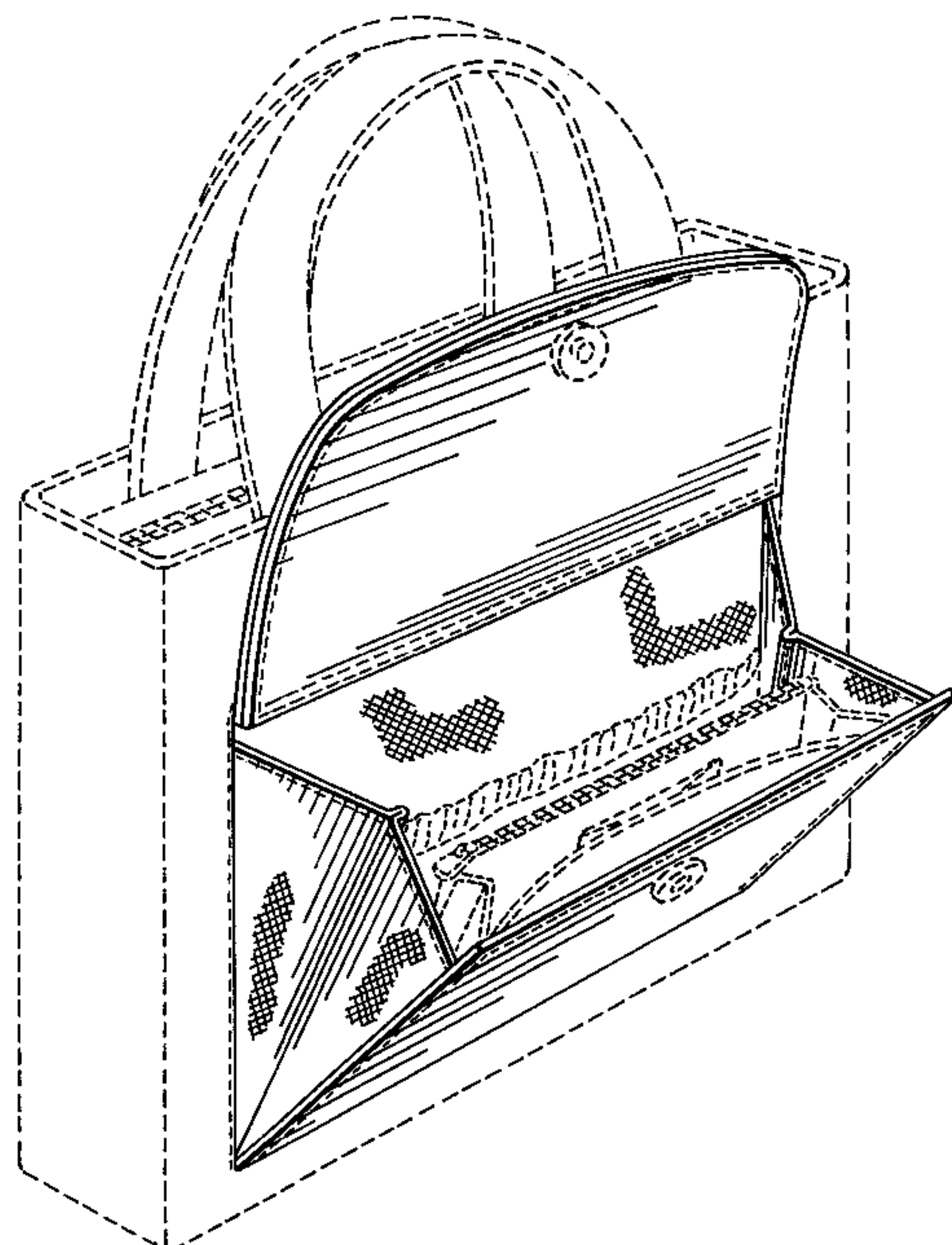
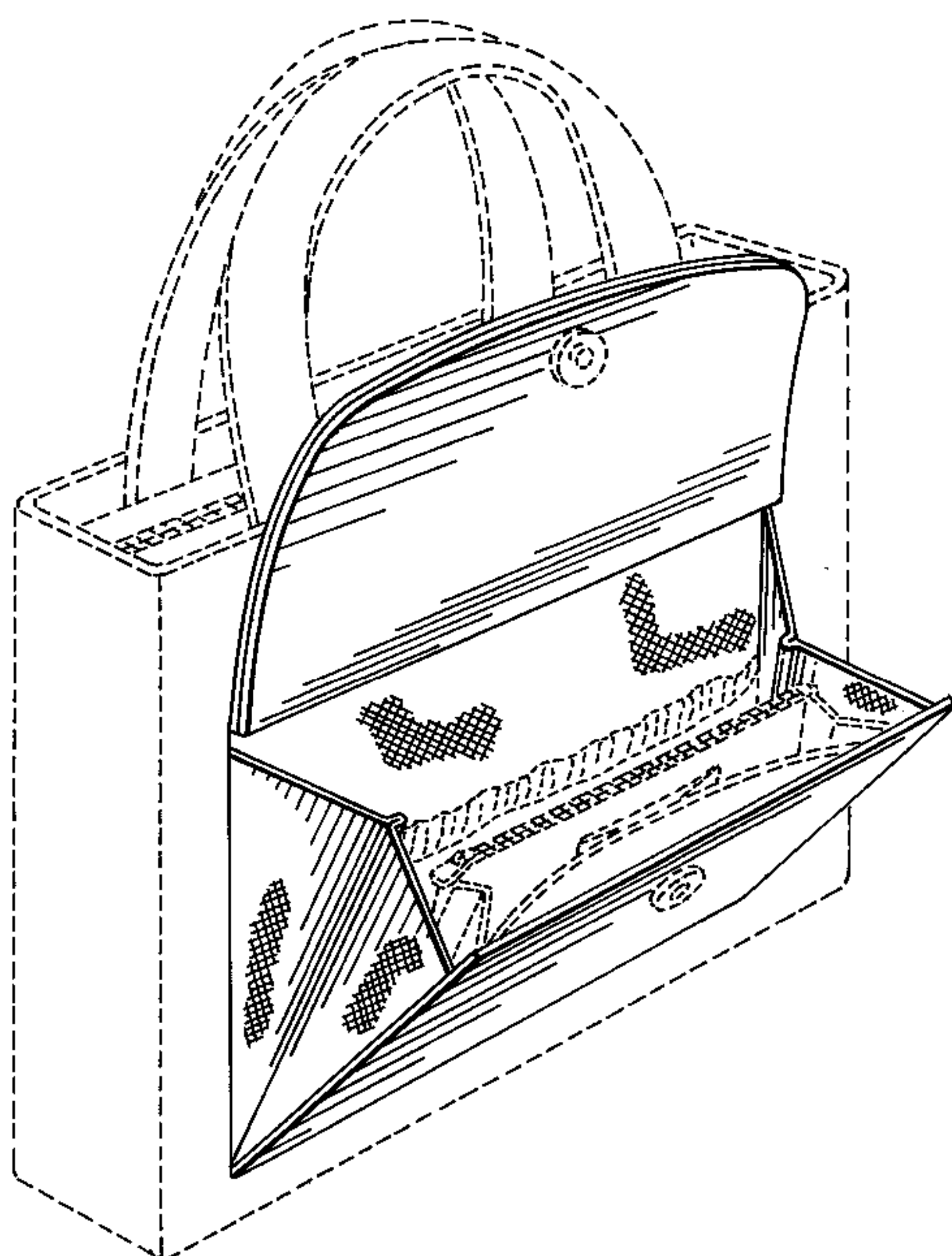


FIG. 1

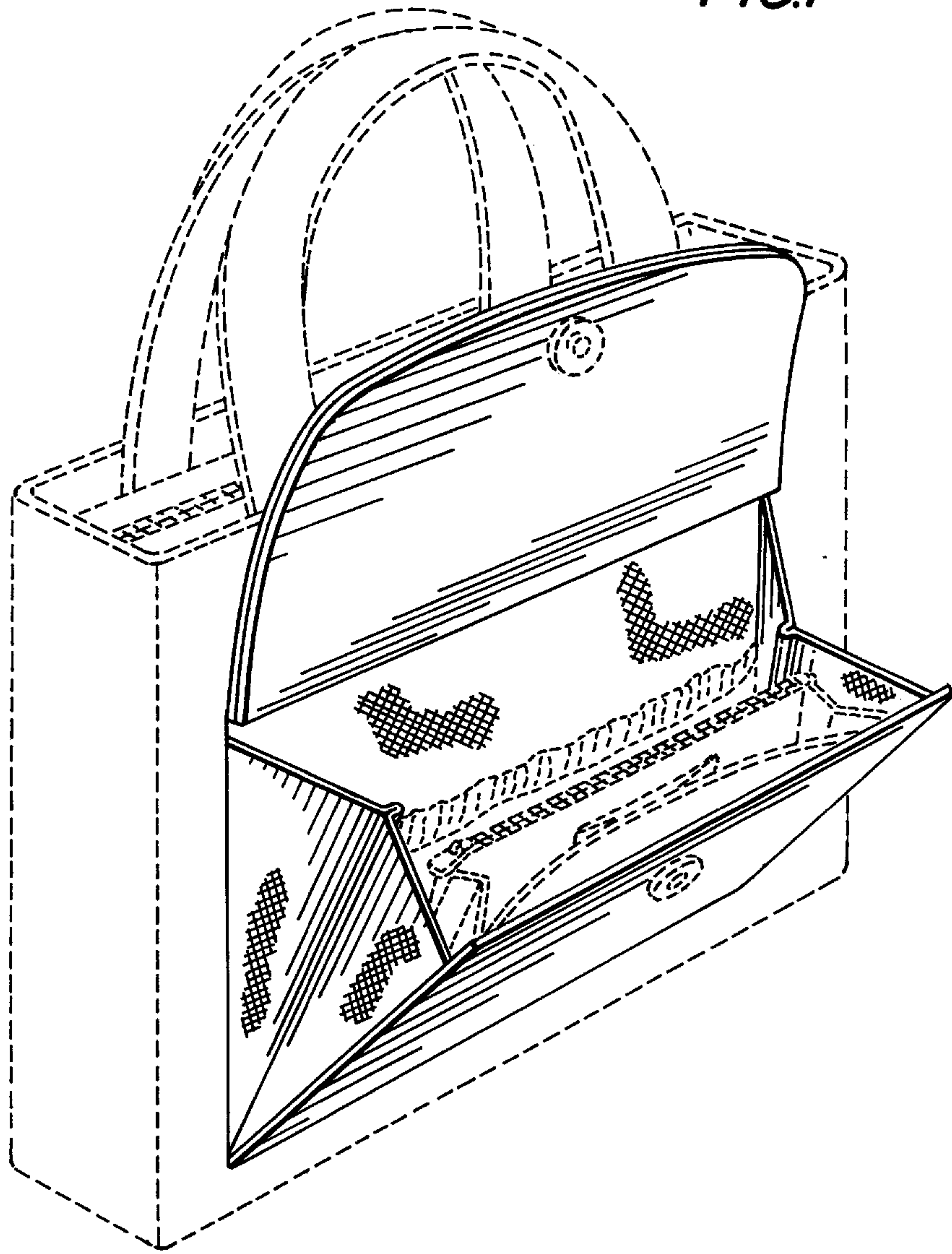
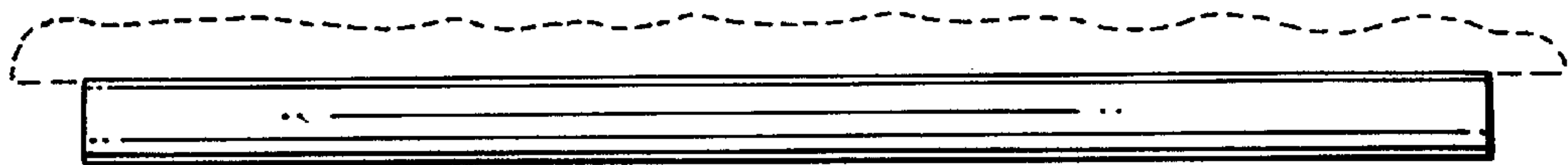


FIG. 2



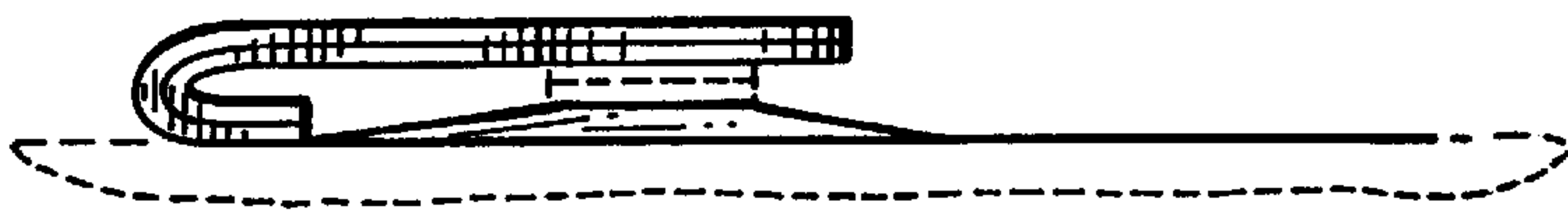


FIG. 3

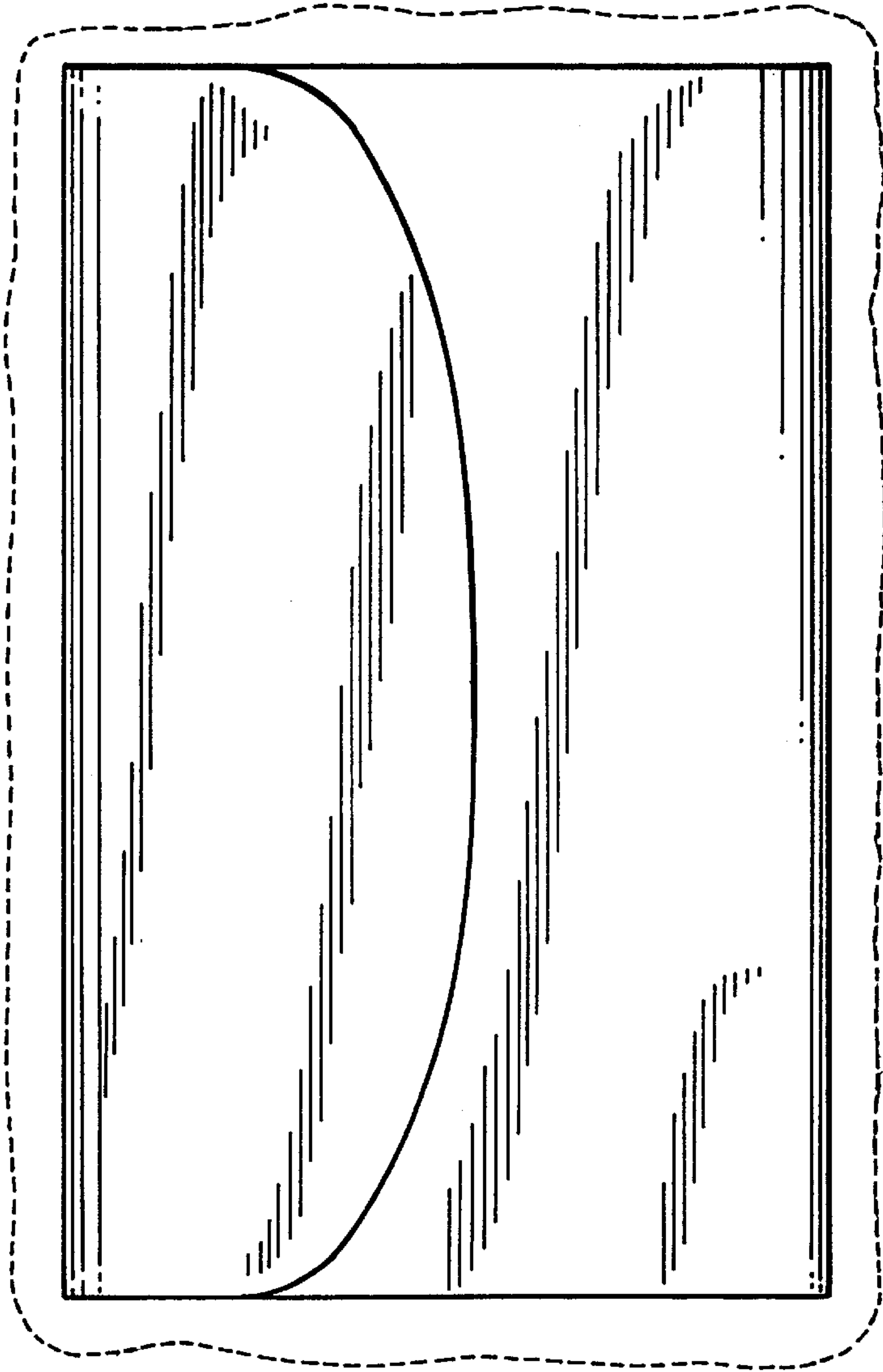


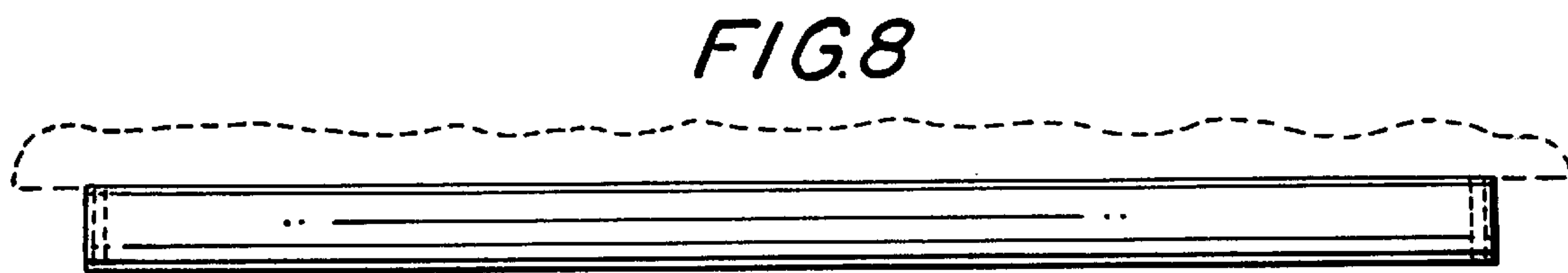
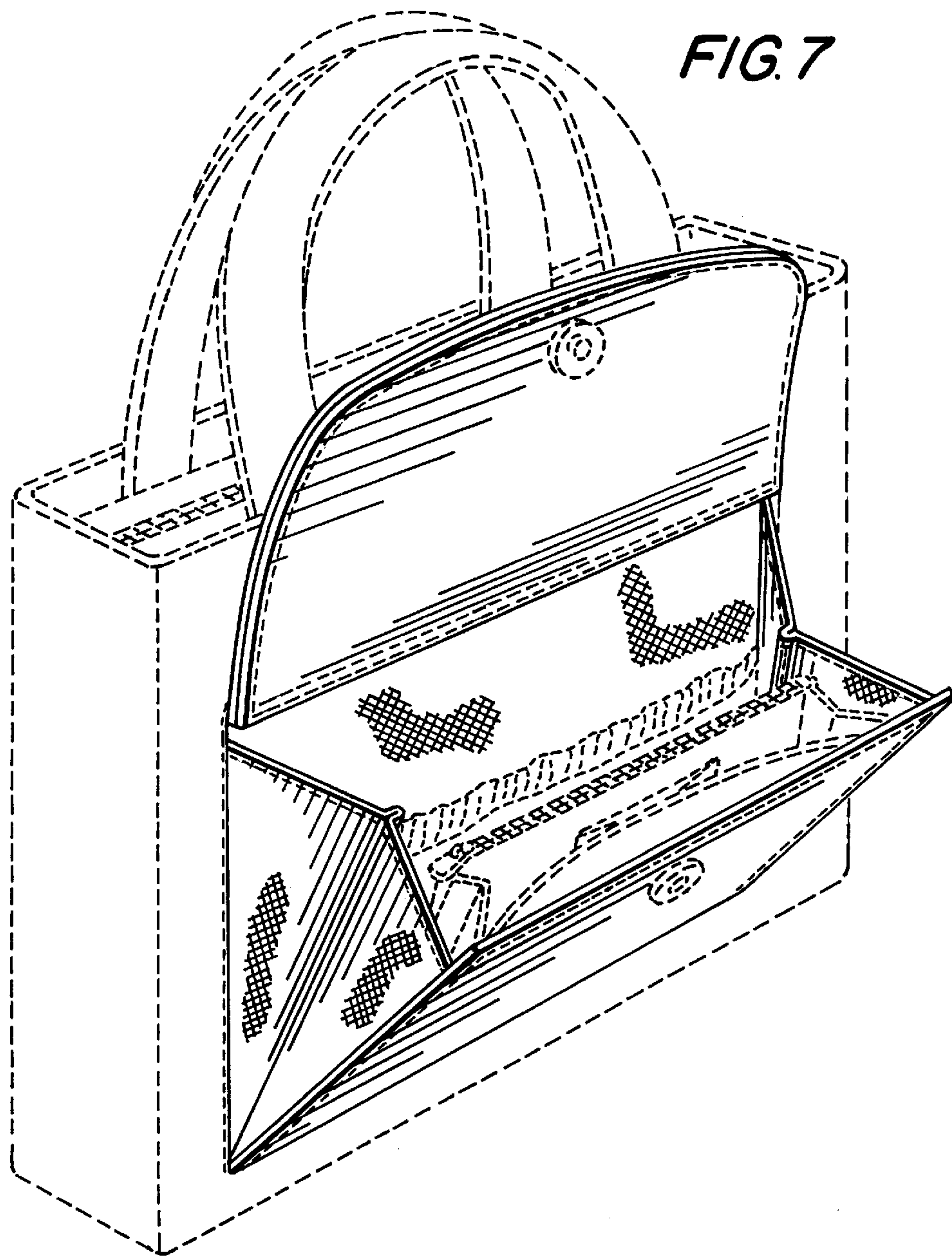
FIG. 4



FIG. 5



FIG. 6



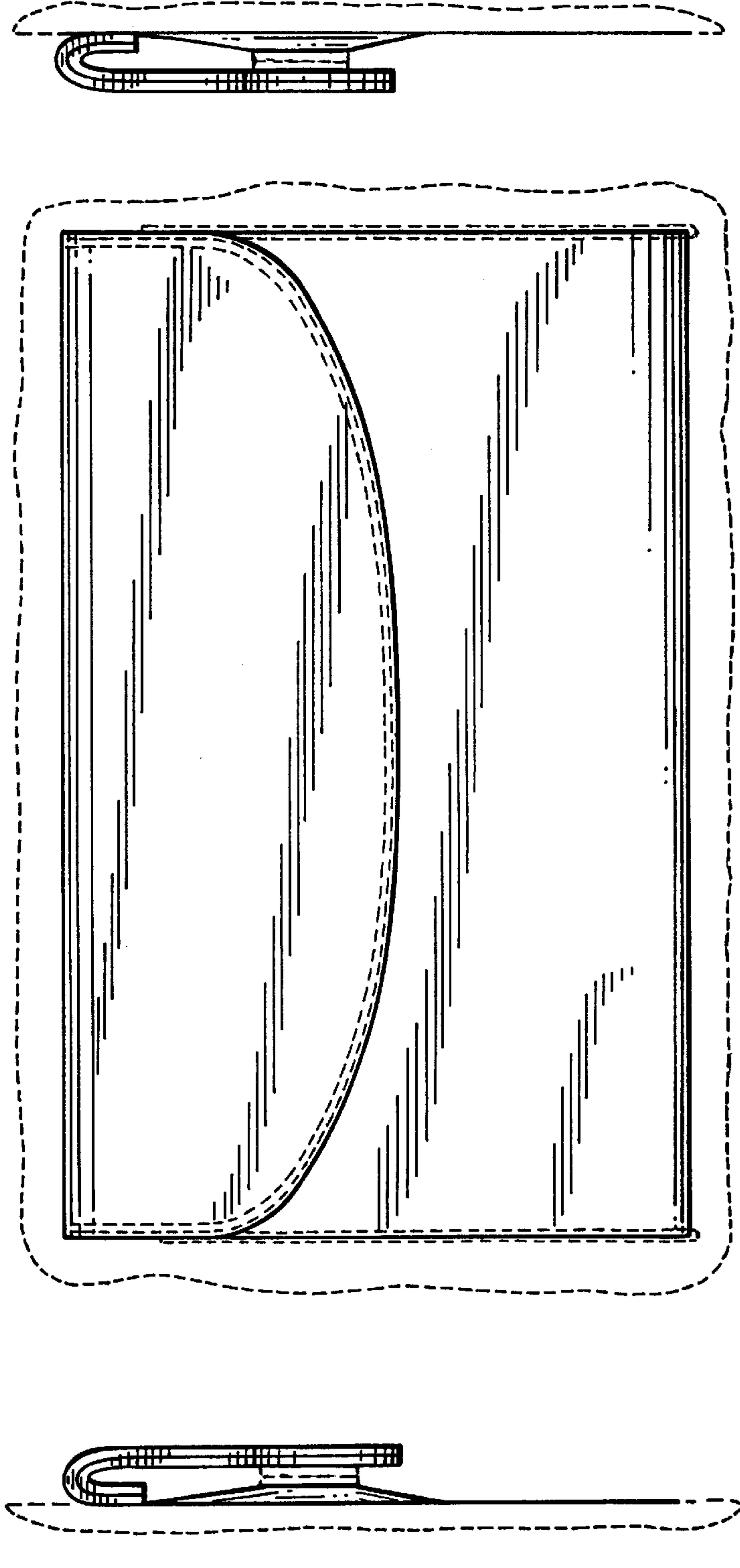


FIG. 11



FIG. 9

FIG. 12