



US00D455547S

(12) **United States Design Patent**  
**Hillman**

(10) **Patent No.:** **US D455,547 S**

(45) **Date of Patent:** **\*\* Apr. 16, 2002**

(54) **CAMERA AND ACCESSORIES CARRYING CASE**

(75) Inventor: **Jack L. Hillman**, Colorado Springs, CO (US)

(73) Assignee: **Case Logic, Inc.**, Longmont, CO (US)

(\*\*) Term: **14 Years**

(21) Appl. No.: **29/137,608**

(22) Filed: **Feb. 23, 2001**

(51) **LOC (7) Cl.** ..... **03-01**

(52) **U.S. Cl.** ..... **D3/219; D3/267**

(58) **Field of Search** ..... D3/219, 215, 224, D3/226, 232, 233, 267, 268; 224/908, 909, 240, 245; 206/316.1, 316.2; 190/111; 150/116, 119

(56) **References Cited**

**U.S. PATENT DOCUMENTS**

2,691,401	A	*	10/1954	Kontoff et al.	.....	150/116	X
2,827,096	A	*	3/1958	Hinson	.....	150/116	X
2,988,125	A	*	6/1961	Reynolds	.....	150/116	X
D369,676	S	*	5/1996	Palmer	.....	D3/268	
D442,777	S	*	5/2001	Smith	.....	D3/226	

**OTHER PUBLICATIONS**

Case Logic Catalog—Photo/Video Section.  
Case Logic Catalog—Spring 2000—Photo/Video Section.  
Lowpro2000 Catalog.

Ambico Video Luggage & Photo Cases Catalog, pp. 8–10. no date.

Tamrac Catalog no date.

\* cited by examiner

*Primary Examiner*—Catherine R. Oliver

(74) *Attorney, Agent, or Firm*—Sheridan Ross P.C.

(57) **CLAIM**

The ornamental design for a camera and accessories carrying case, as shown and described.

**DESCRIPTION**

FIG. 1 is a front perspective view of a camera and accessories carrying case showing my new design, the broken lines depicting environment and forming no part of the claimed design;

FIG. 2 is a front elevation view of the invention illustrated in FIG. 1;

FIG. 3 is a rear elevation view of the invention illustrated in FIG. 1;

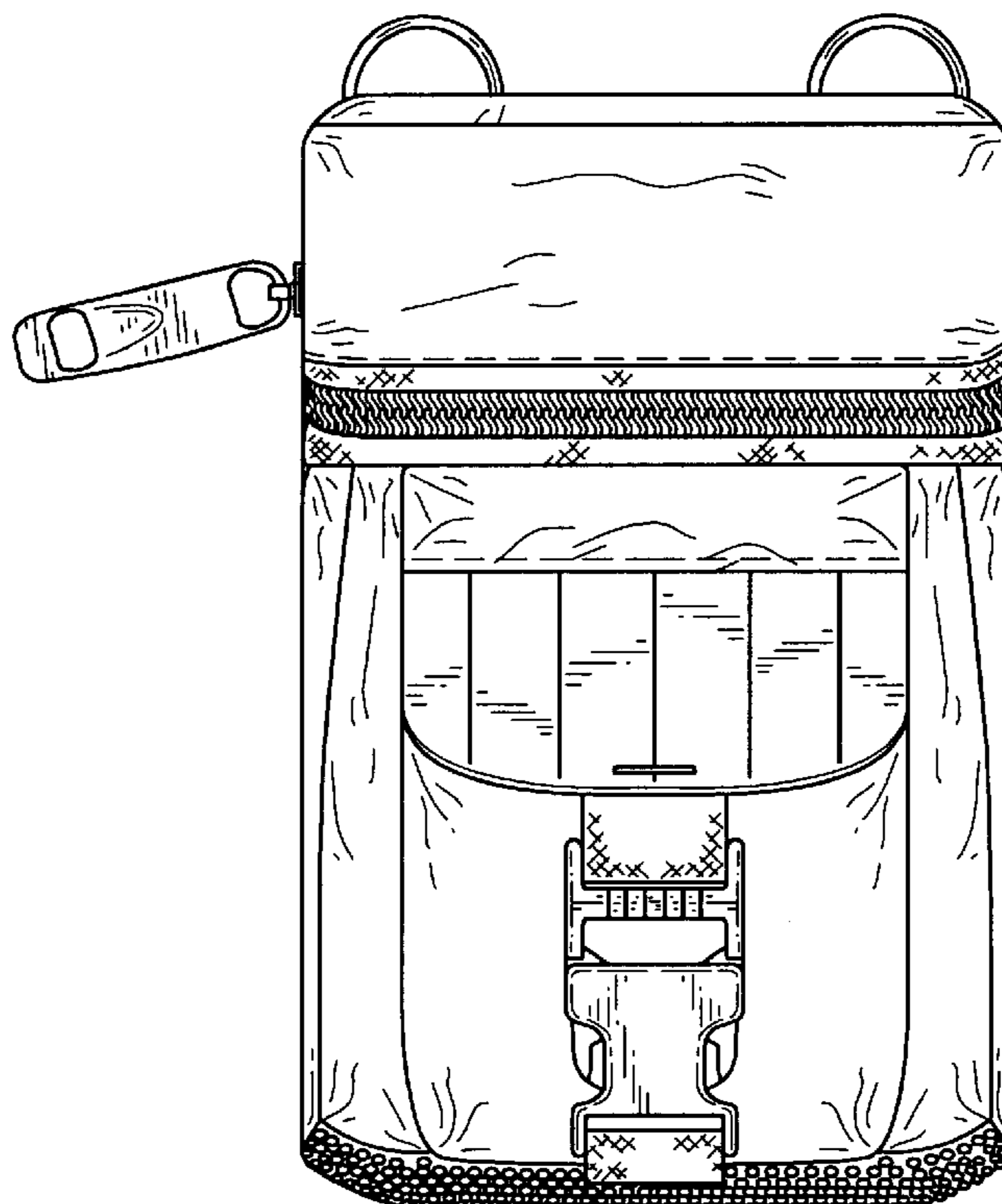
FIG. 4 is a right elevation view of the invention illustrated in FIG. 1;

FIG. 5 is left elevation view of the invention illustrated in FIG. 1;

FIG. 6 is a top plan view of the invention illustrated in FIG. 1; and,

FIG. 7 is a bottom plan view of the invention illustrated in FIG. 1.

**1 Claim, 4 Drawing Sheets**



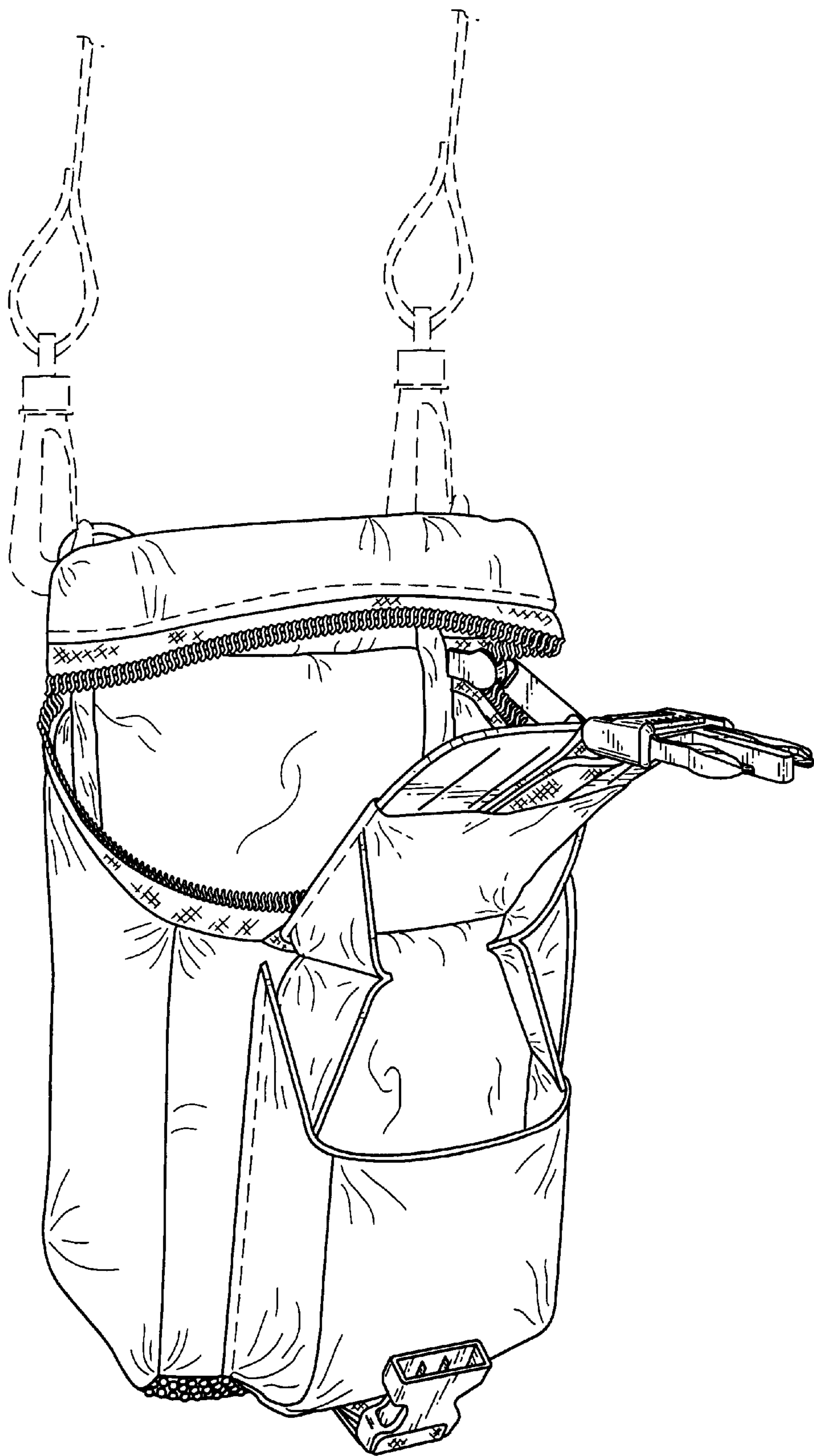


FIG. 1

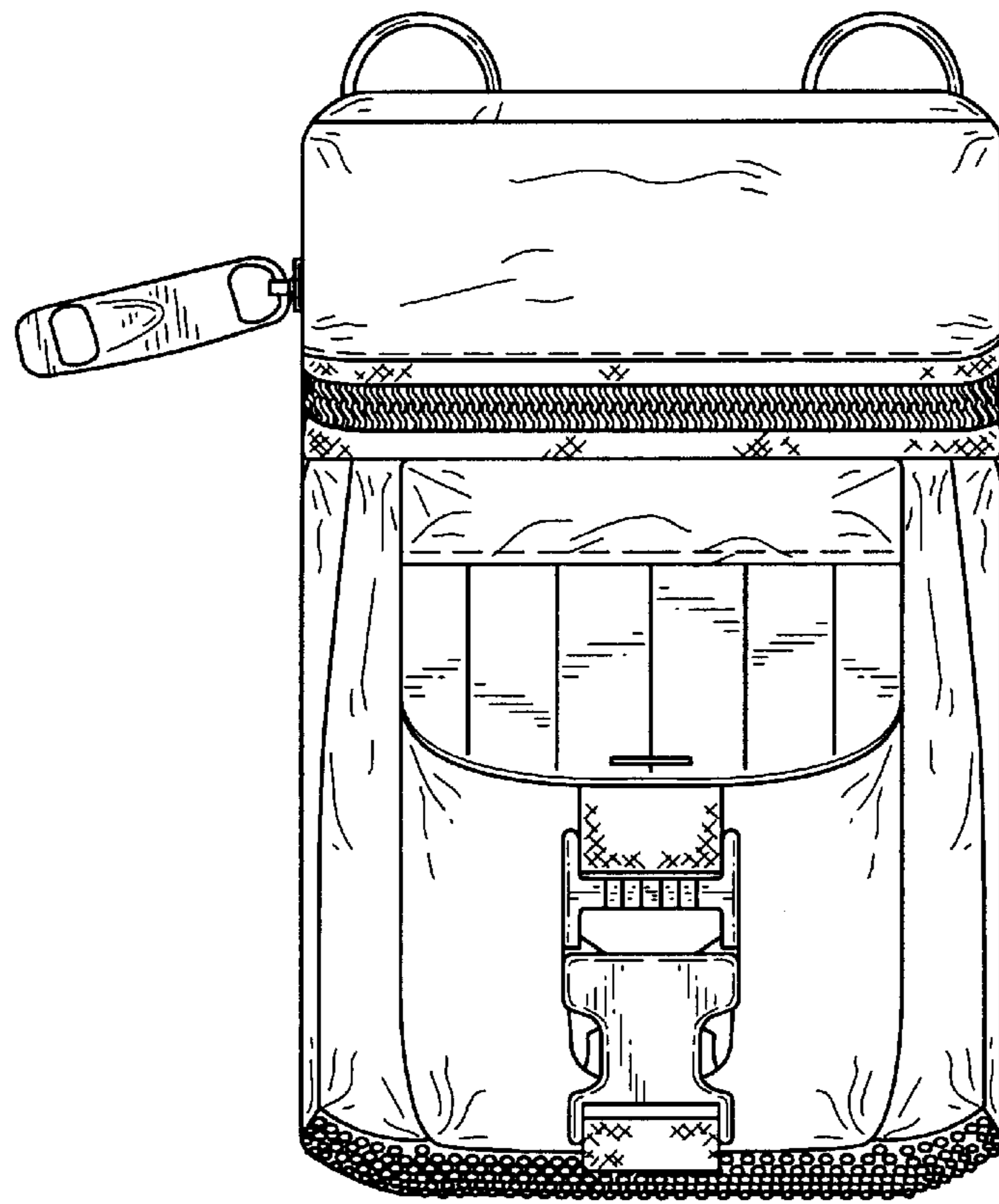


FIG. 2

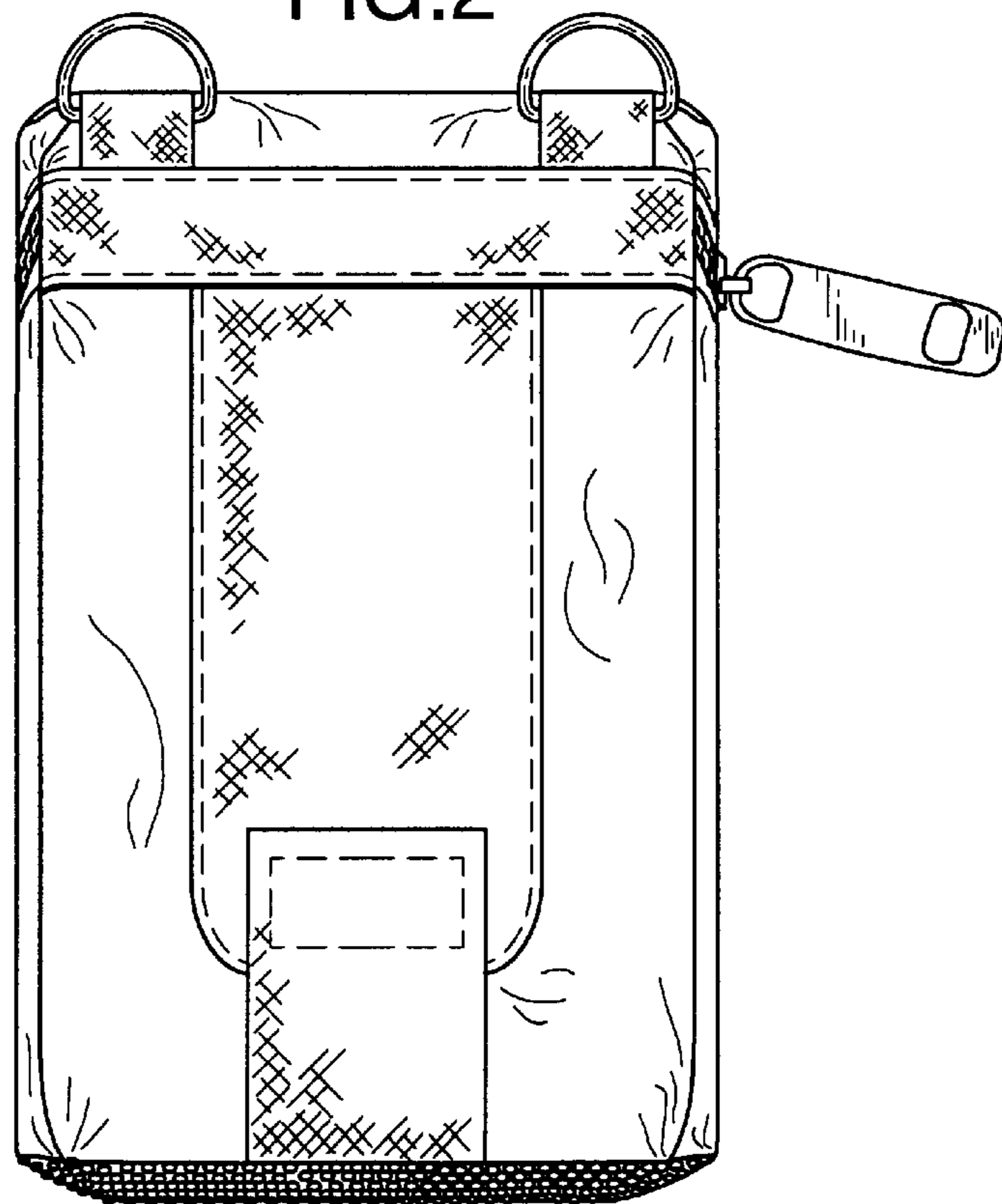


FIG. 3



FIG. 4



FIG. 5



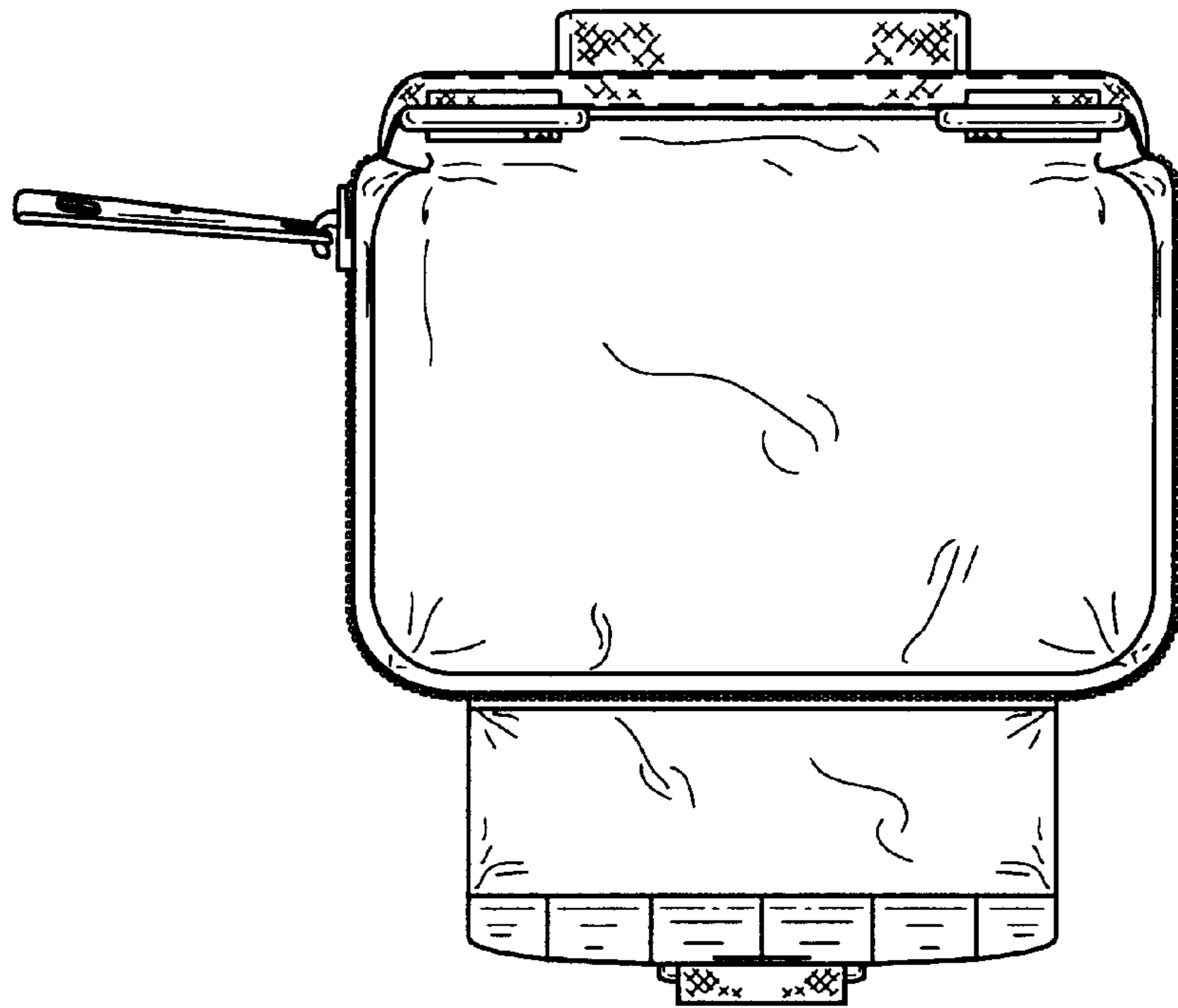


FIG. 6

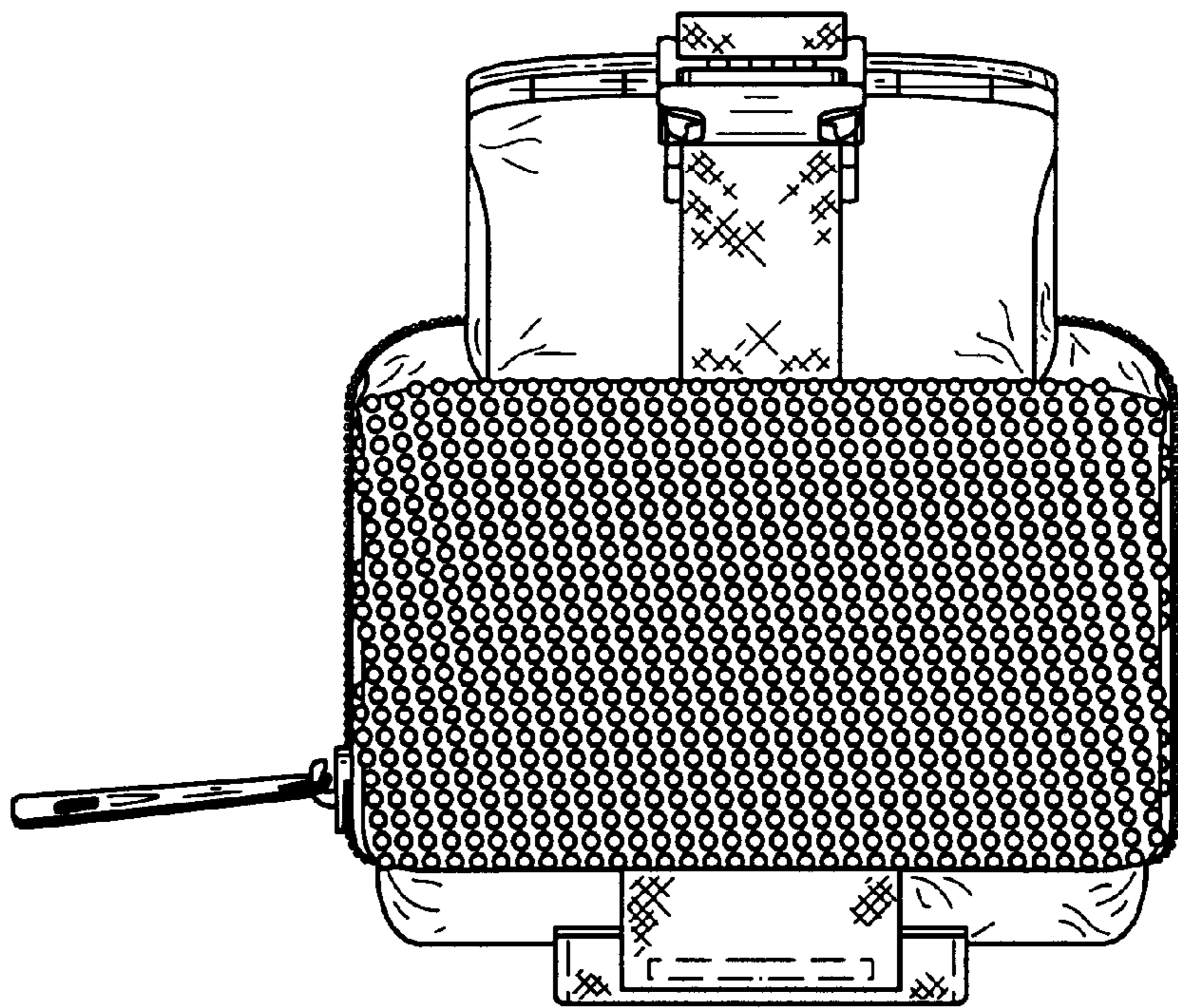


FIG. 7