



US00D455535S

(12) **United States Design Patent**
Kamphuis

(10) **Patent No.:** **US D455,535 S**

(45) **Date of Patent:** **** Apr. 9, 2002**

(54) **WHEELBARROW BUCKET BRACE**

(75) **Inventor:** **Johannes Kamphuis, Waterloo (CA)**

(73) **Assignee:** **Fort North America Inc., Waterloo (CA)**

(**) **Term:** **14 Years**

(21) **Appl. No.:** **29/136,445**

(22) **Filed:** **Feb. 1, 2001**

(51) **LOC (7) Cl.** **12-02**

(52) **U.S. Cl.** **D34/27; D6/566**

(58) **Field of Search** D34/12-27; 280/47.18, 280/33.992, 33.993, 33.991; D6/566, 572, 458; D8/380; 248/107, 102, 103

(56) **References Cited**

U.S. PATENT DOCUMENTS

- 2,320,387 A * 6/1943 Schroeder 280/47.18
- 2,326,739 A * 8/1943 Andrews 280/27.18
- 2,582,435 A * 1/1952 Howard 280/47.18

- D296,373 S * 6/1988 Madison, Jr. D34/27
- D310,593 S * 9/1990 Lamarche D34/27
- D317,861 S * 7/1991 Lechner D6/566

* cited by examiner

Primary Examiner—Kay H. Chin

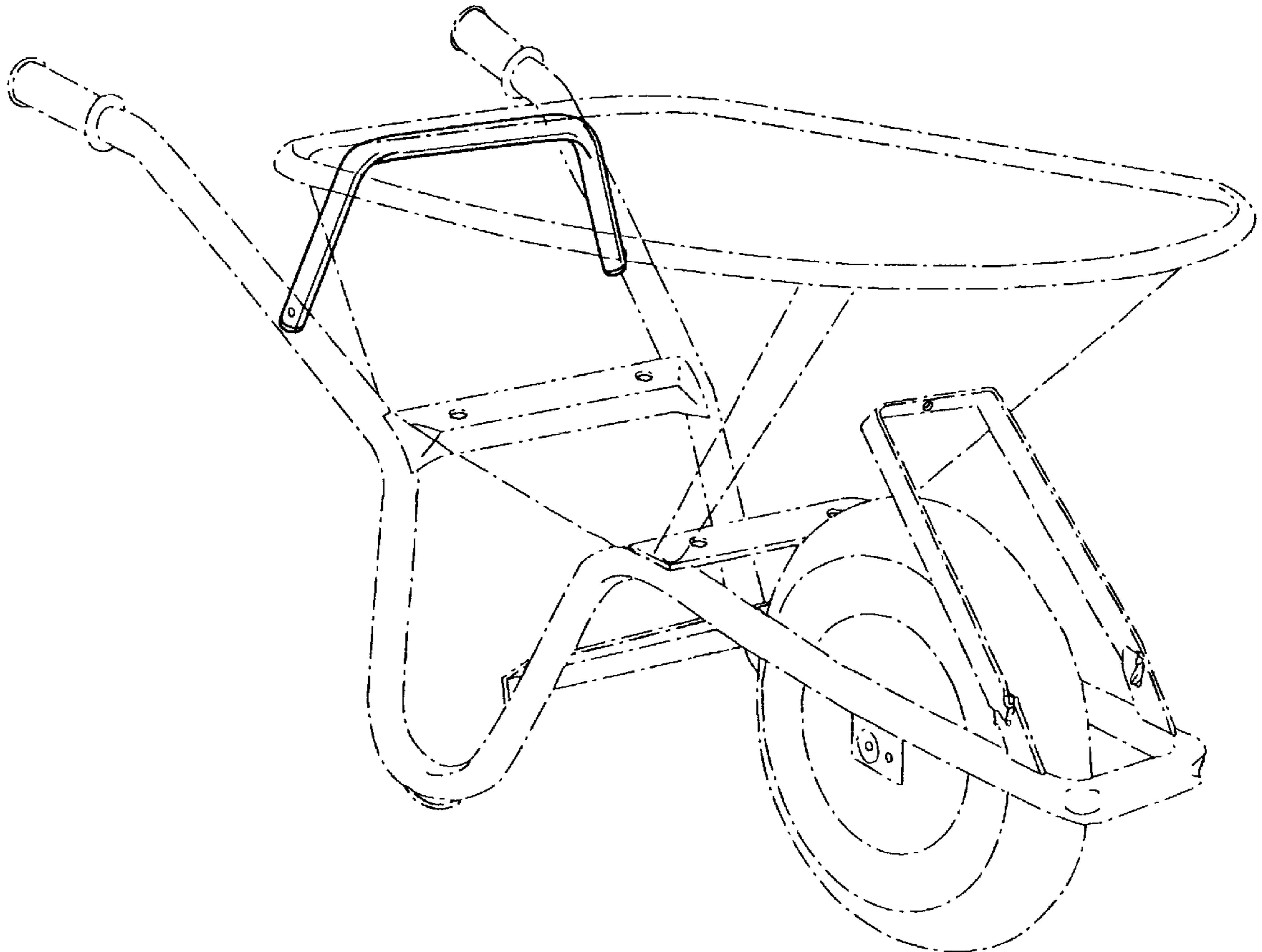
(57) **CLAIM**

The ornamental design for a wheelbarrow bucket brace, as shown and described.

DESCRIPTION

FIG. 1 is a perspective view from the front of the wheelbarrow bucket brace showing my new design; FIG. 2 is a side elevation view thereof; FIG. 3 is a front elevation view thereof; FIG. 4 is a rear elevation view thereof; FIG. 5 is a top plan view thereof; FIG. 6 is a bottom plan view thereof; and, FIG. 7 is a perspective view from the front of the wheelbarrow bucket brace showing the wheelbarrow bucket brace in closed position.

1 Claim, 6 Drawing Sheets



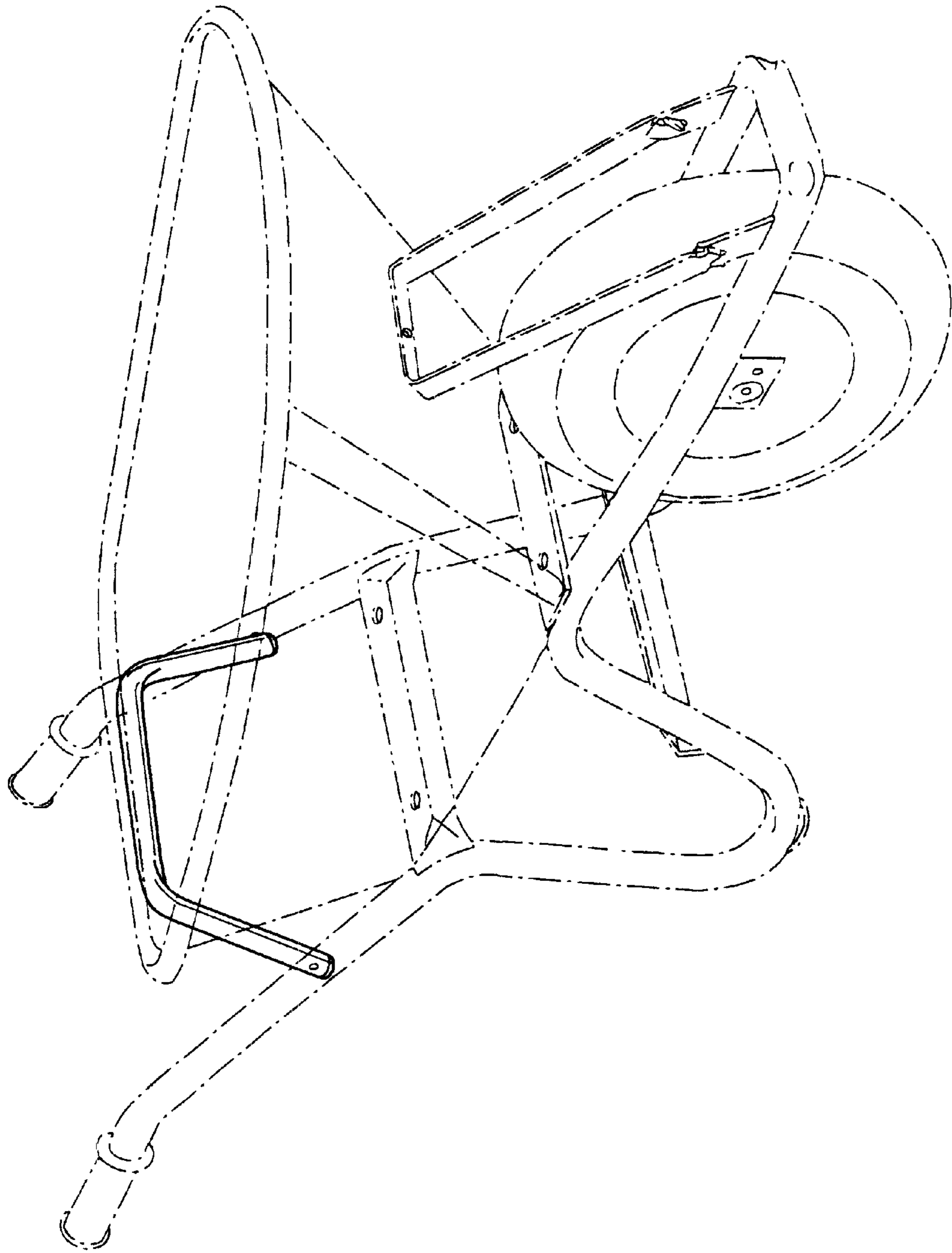


FIG. 1

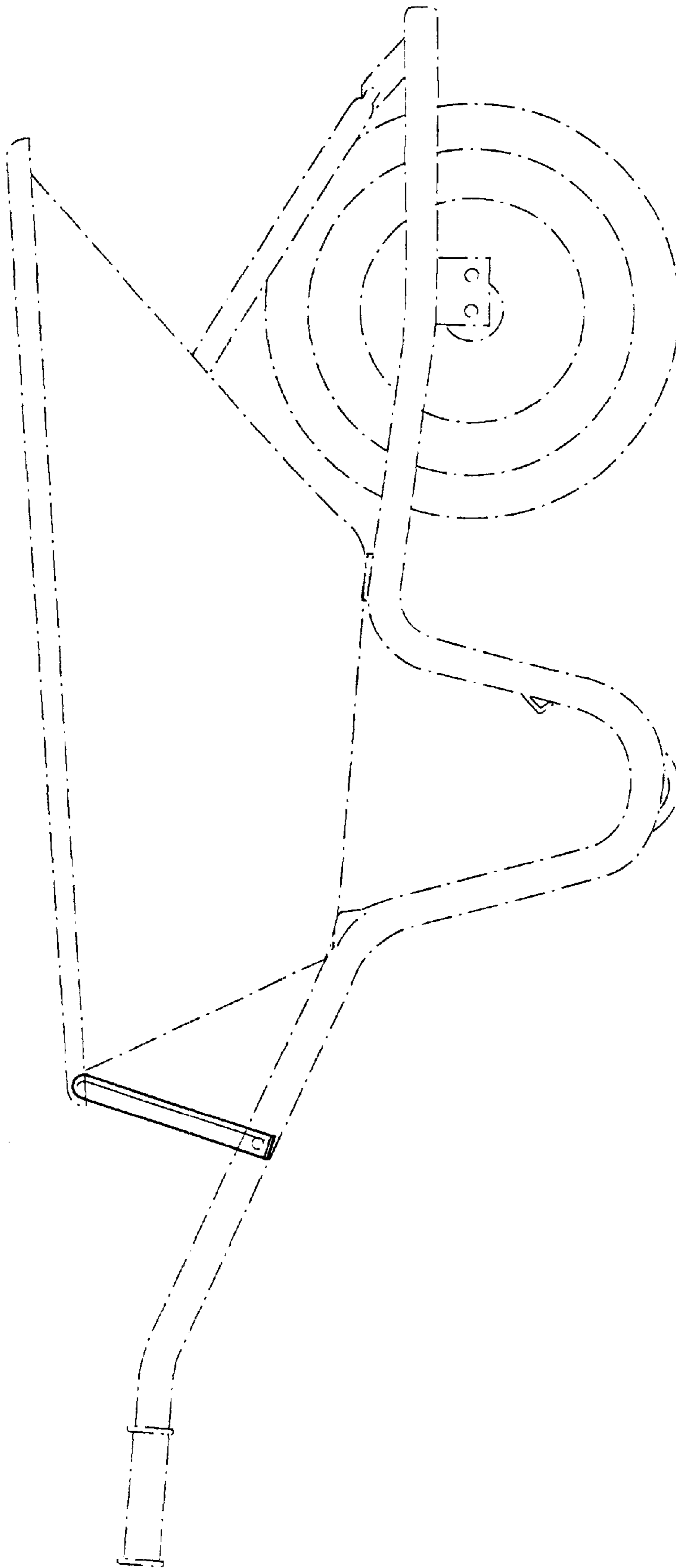


FIG. 2

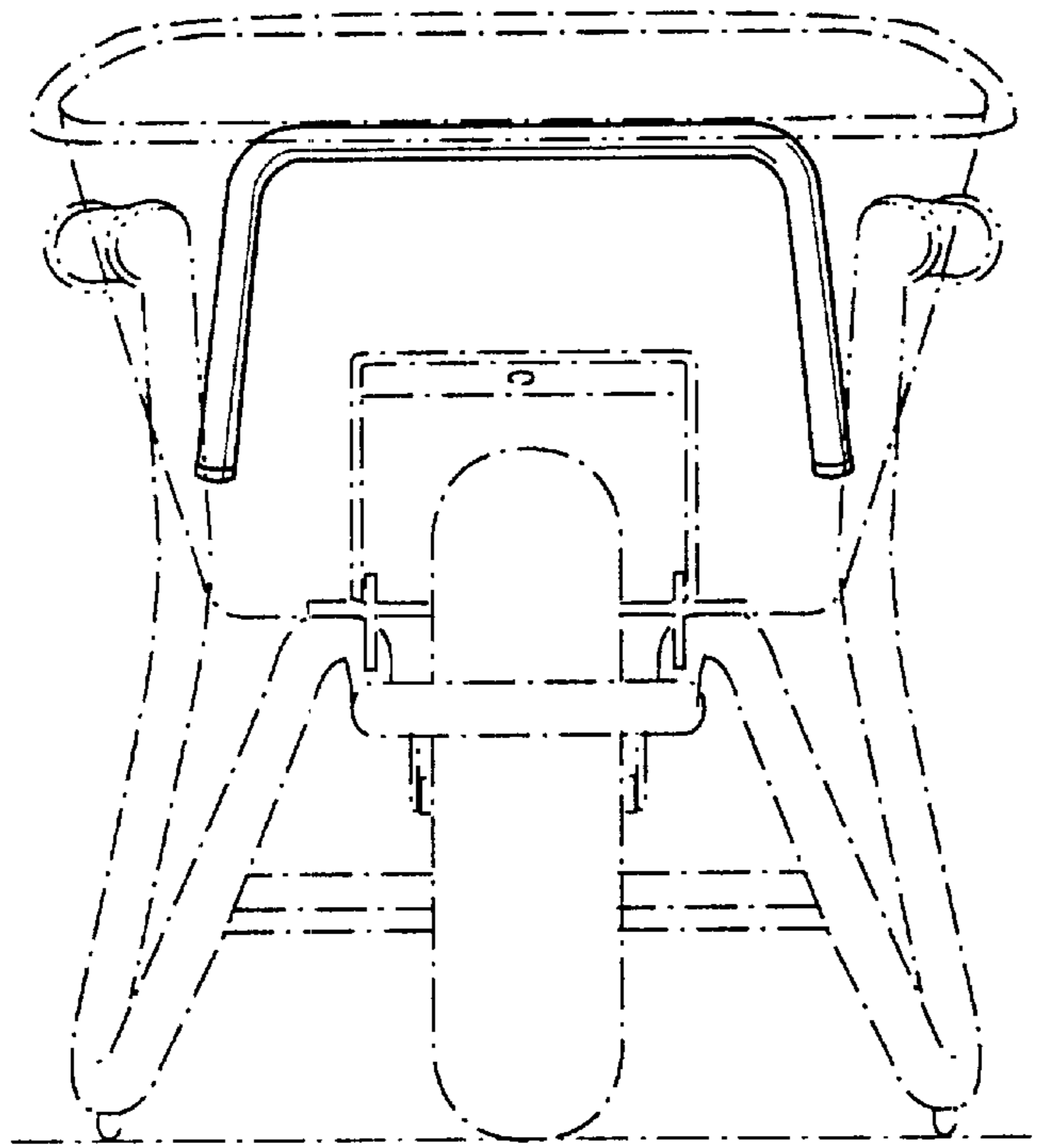


FIG. 3

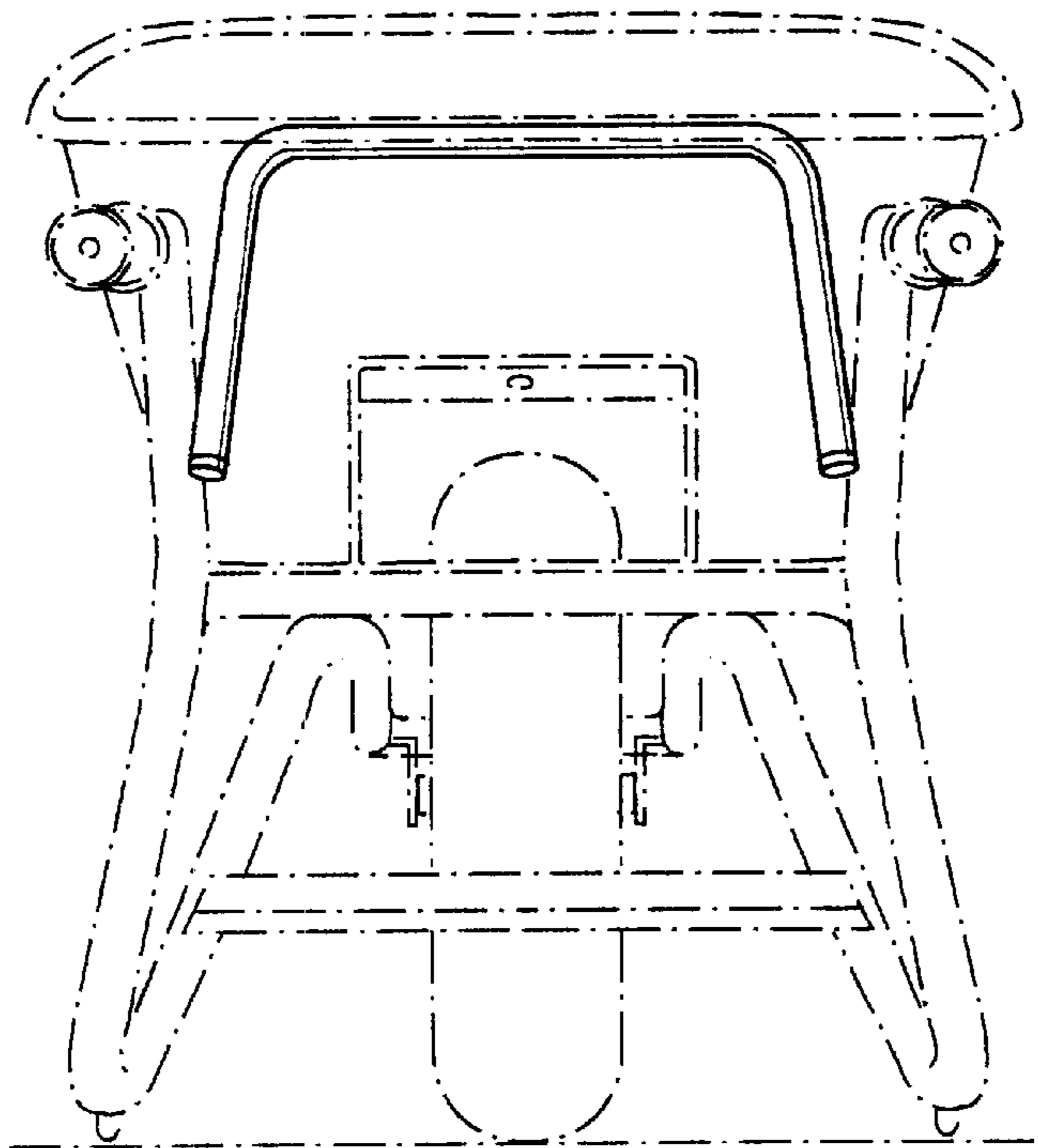


FIG. 4

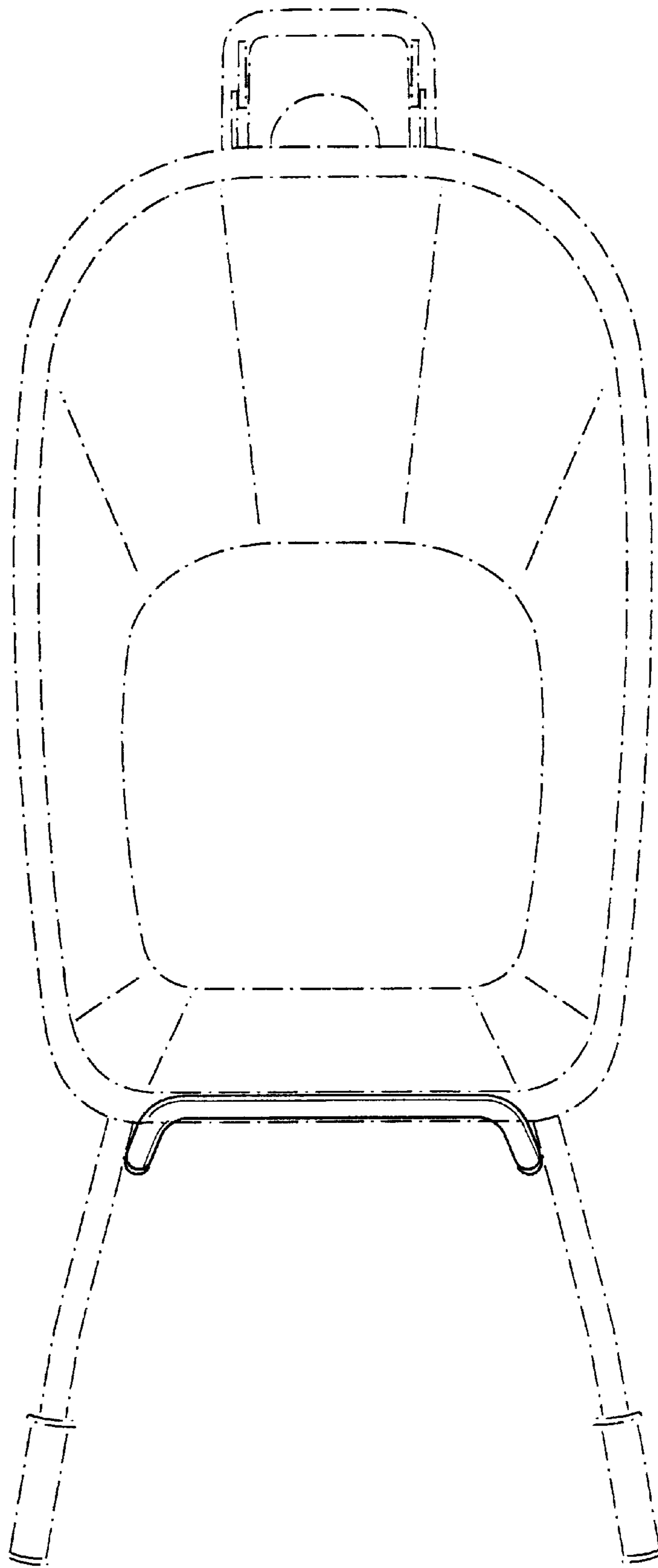


FIG. 5

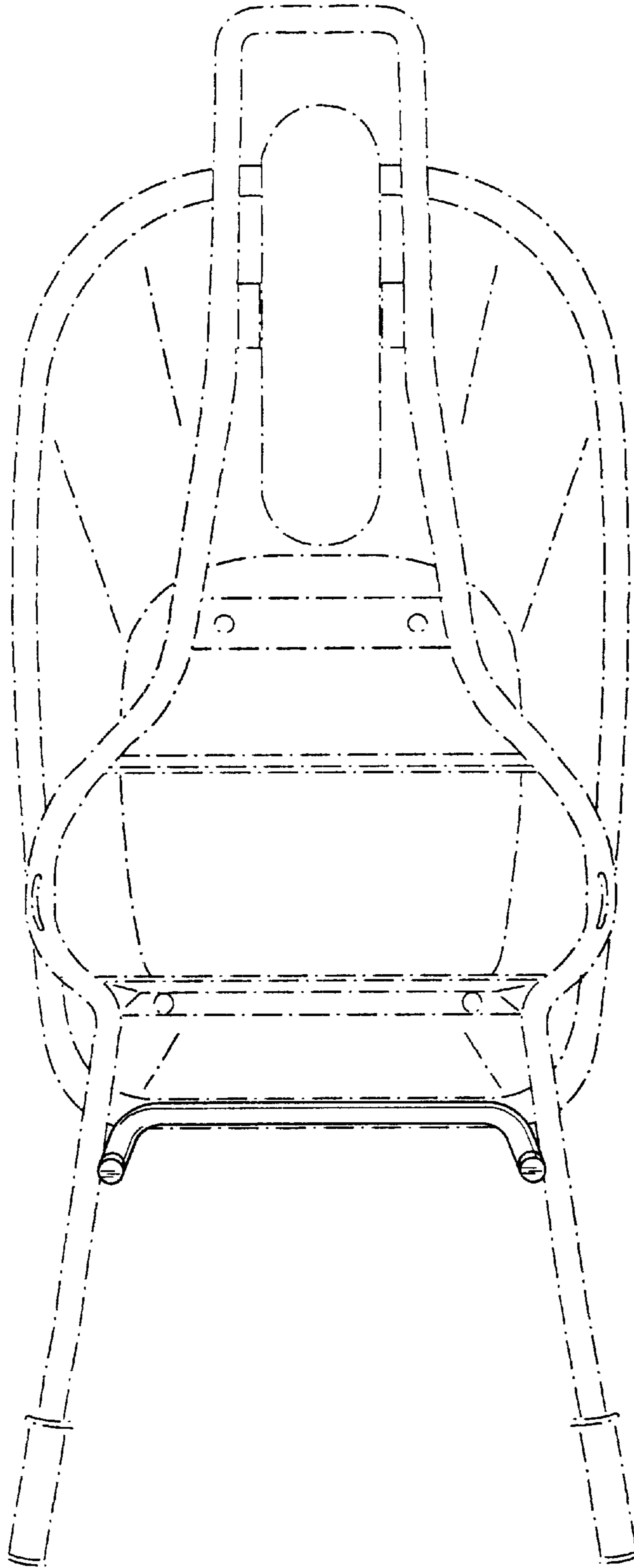


FIG. 6

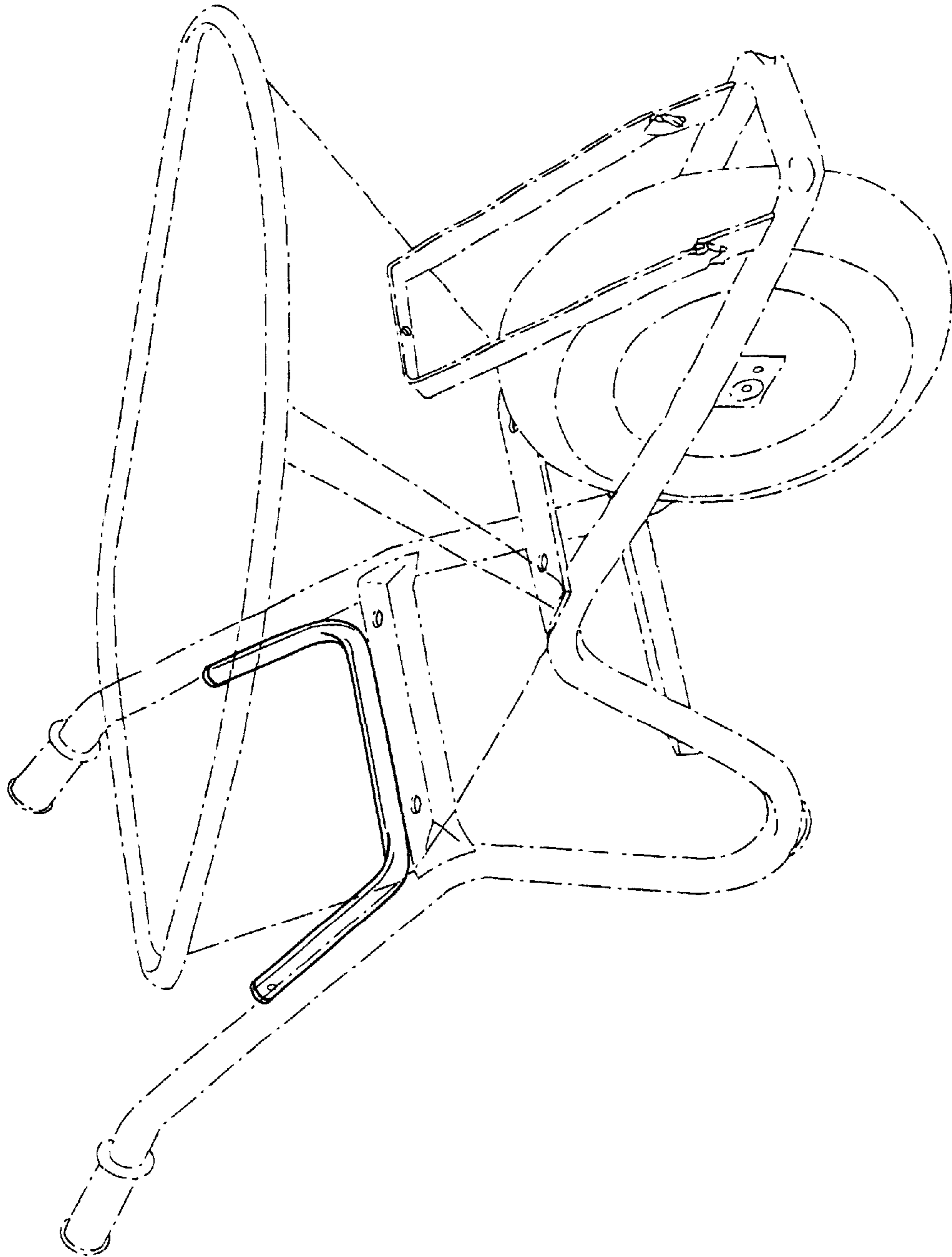


FIG. 7