



US00D455531S

(12) **United States Design Patent**
Cartellone

(10) **Patent No.:** **US D455,531 S**

(45) **Date of Patent:** **** Apr. 9, 2002**

- (54) **PORTABLE VACUUM CLEANER**
- (75) Inventor: **Mark A. Cartellone**, Broadview Heights, OH (US)
- (73) Assignee: **HMI Industries, Inc.**, Seven Hills, OH (US)
- (**) Term: **14 Years**
- (21) Appl. No.: **29/137,565**
- (22) Filed: **Feb. 26, 2001**
- (51) **LOC (7) Cl.** **15-05**
- (52) **U.S. Cl.** **D32/23**
- (58) **Field of Search** D32/21, 23-25, D32/31; 15/327.1, 327.2, 327.3, 327.4, 327.5, 327.6, 327.7, 321, 323, 339, 301, 347, 353

- D242,482 S * 11/1976 Fyffe D32/23
- D349,369 S * 8/1994 Adams D32/21
- D351,695 S * 10/1994 Martinez et al. D32/23
- 5,560,075 A * 10/1996 Jankowski 15/327.6
- D388,565 S * 12/1997 Pietrobon D32/23

* cited by examiner

Primary Examiner—Ruth McInroy

(74) *Attorney, Agent, or Firm*—Vickers, Daniels & Young

(57) **CLAIM**

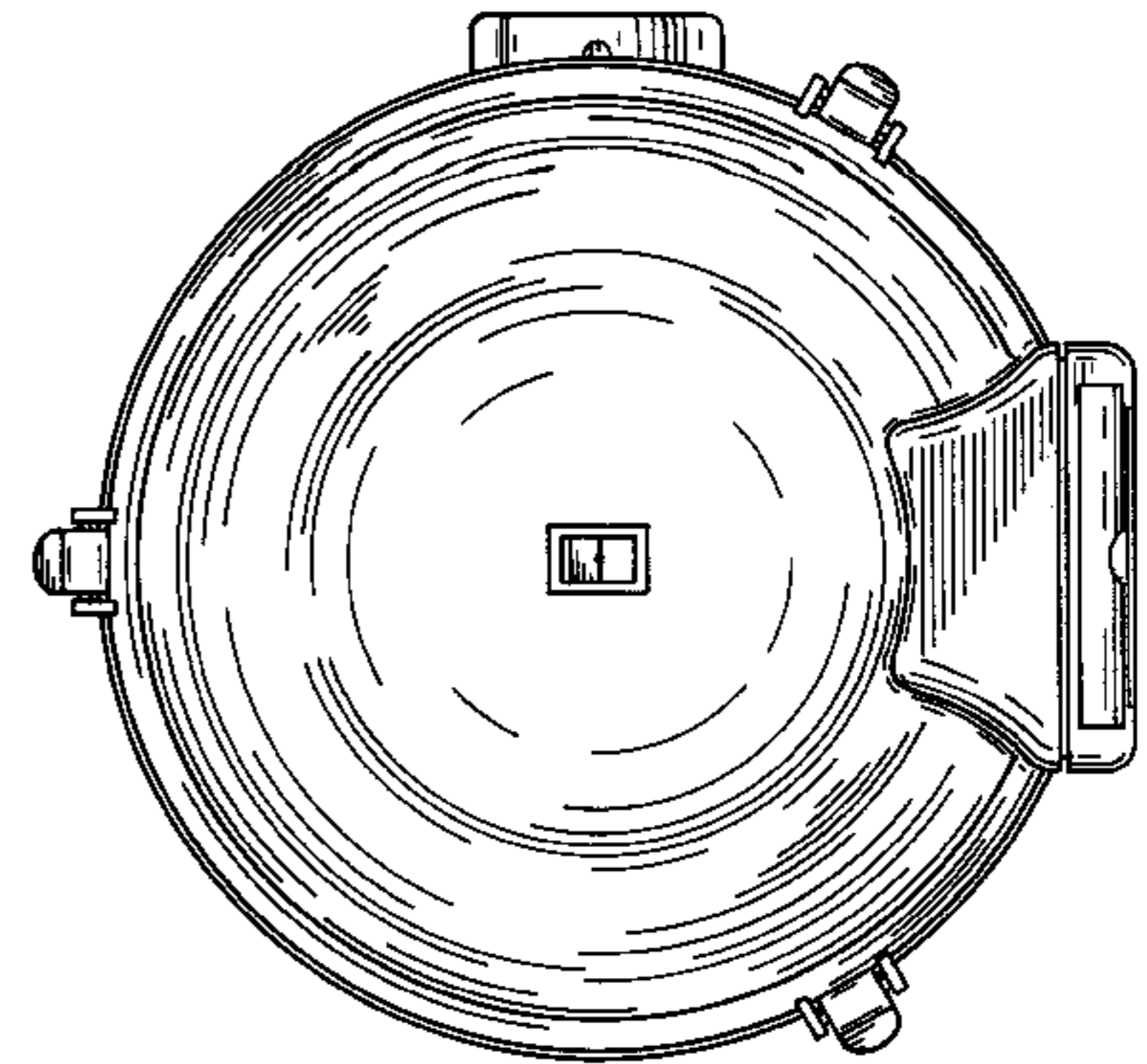
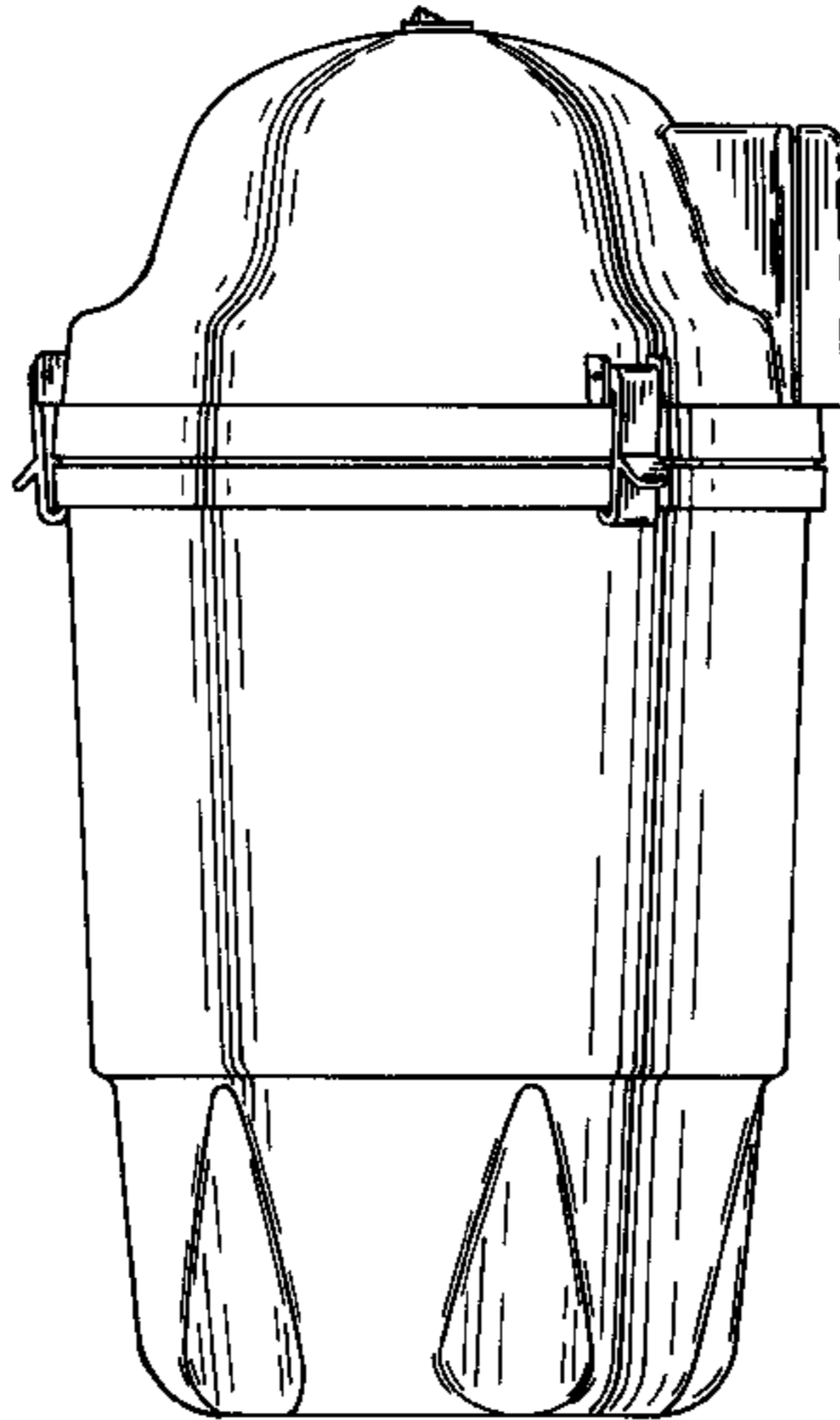
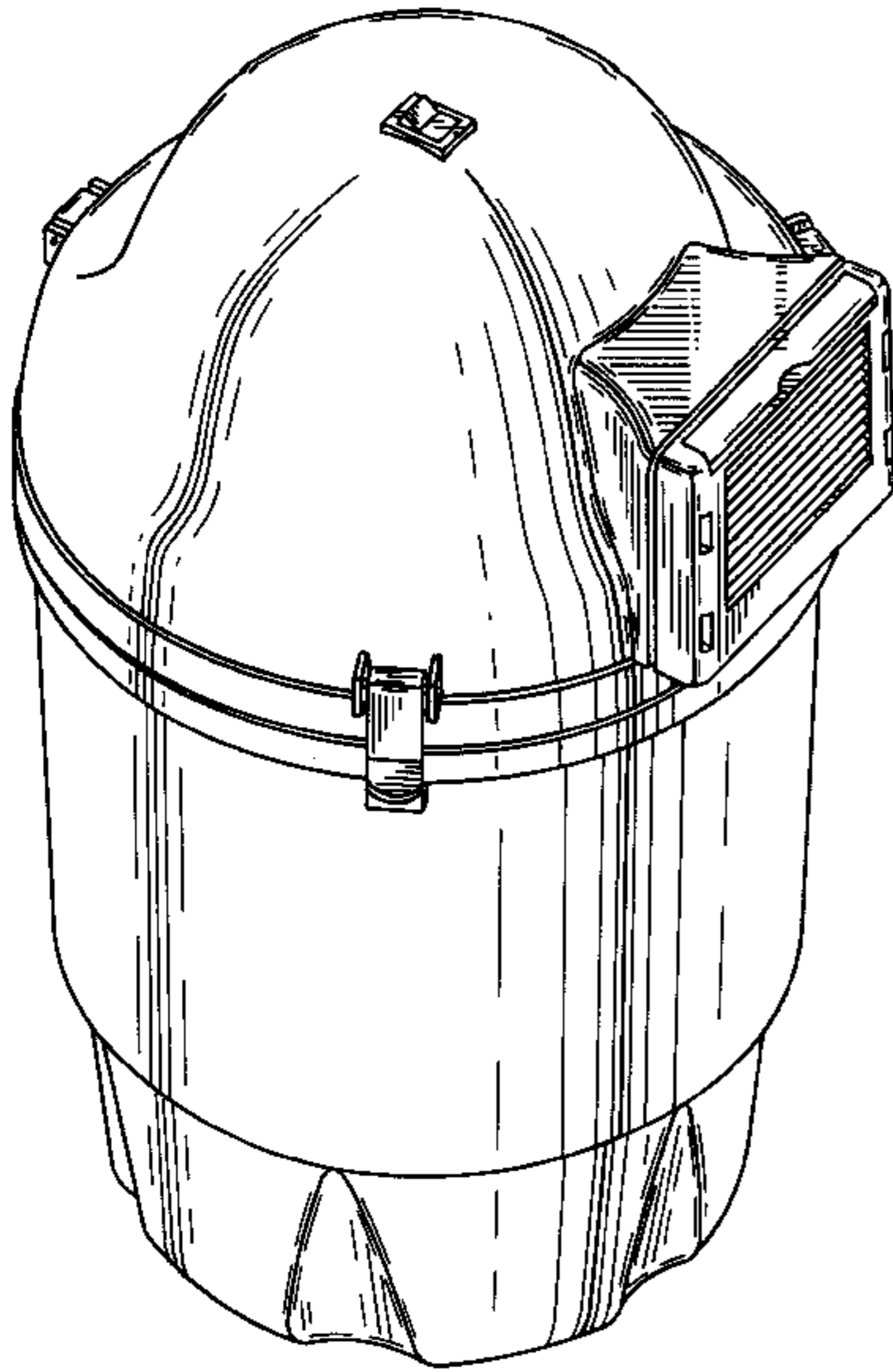
The ornamental design for a portable vacuum cleaner, as shown and described.

DESCRIPTION

FIG. 1 is a top perspective view of a portable vacuum cleaner showing my new design;
 FIG. 2 is a left side elevational view thereof;
 FIG. 3 is a front elevational view thereof;
 FIG. 4 is a right side elevational view thereof;
 FIG. 5 is a rear elevational view thereof;
 FIG. 6 is a top plan view thereof; and,
 FIG. 7 is a bottom plan view thereof.

- (56) **References Cited**
U.S. PATENT DOCUMENTS
 3,022,606 A * 2/1962 Johnston 144/252.1
 D214,083 S * 5/1969 Alligood, Jr. D32/21

1 Claim, 4 Drawing Sheets



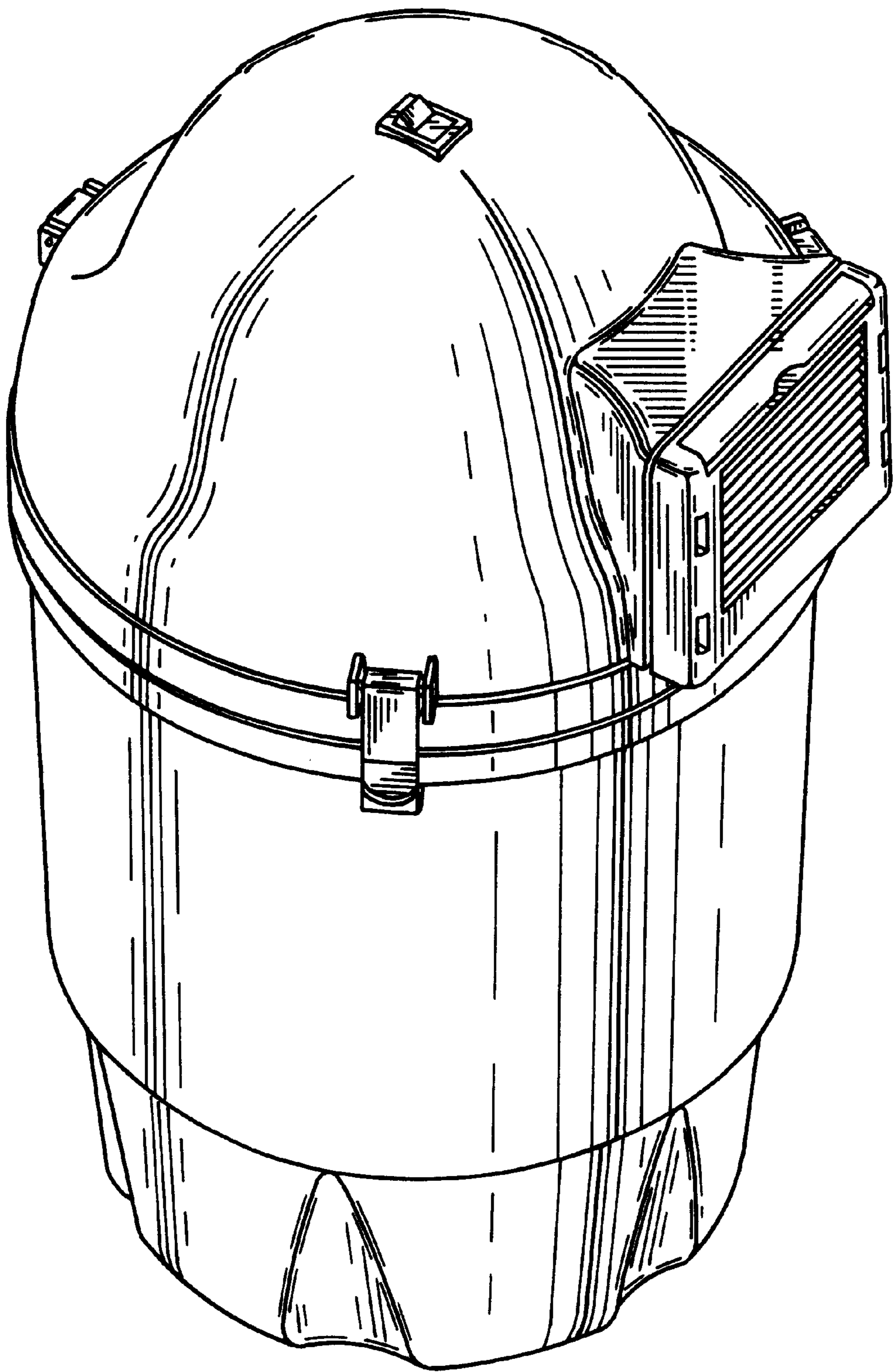


FIG. 1

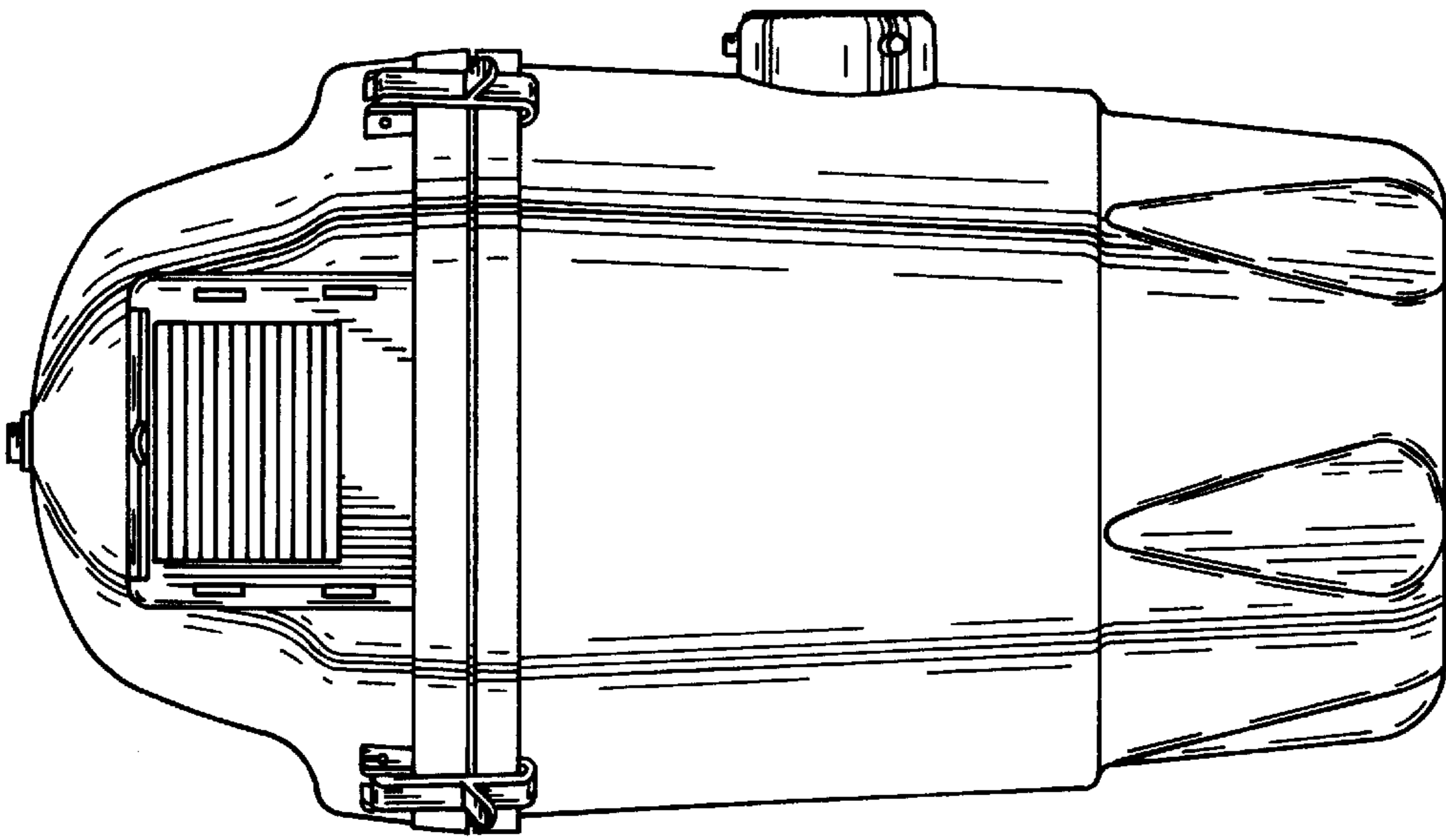


FIG. 3

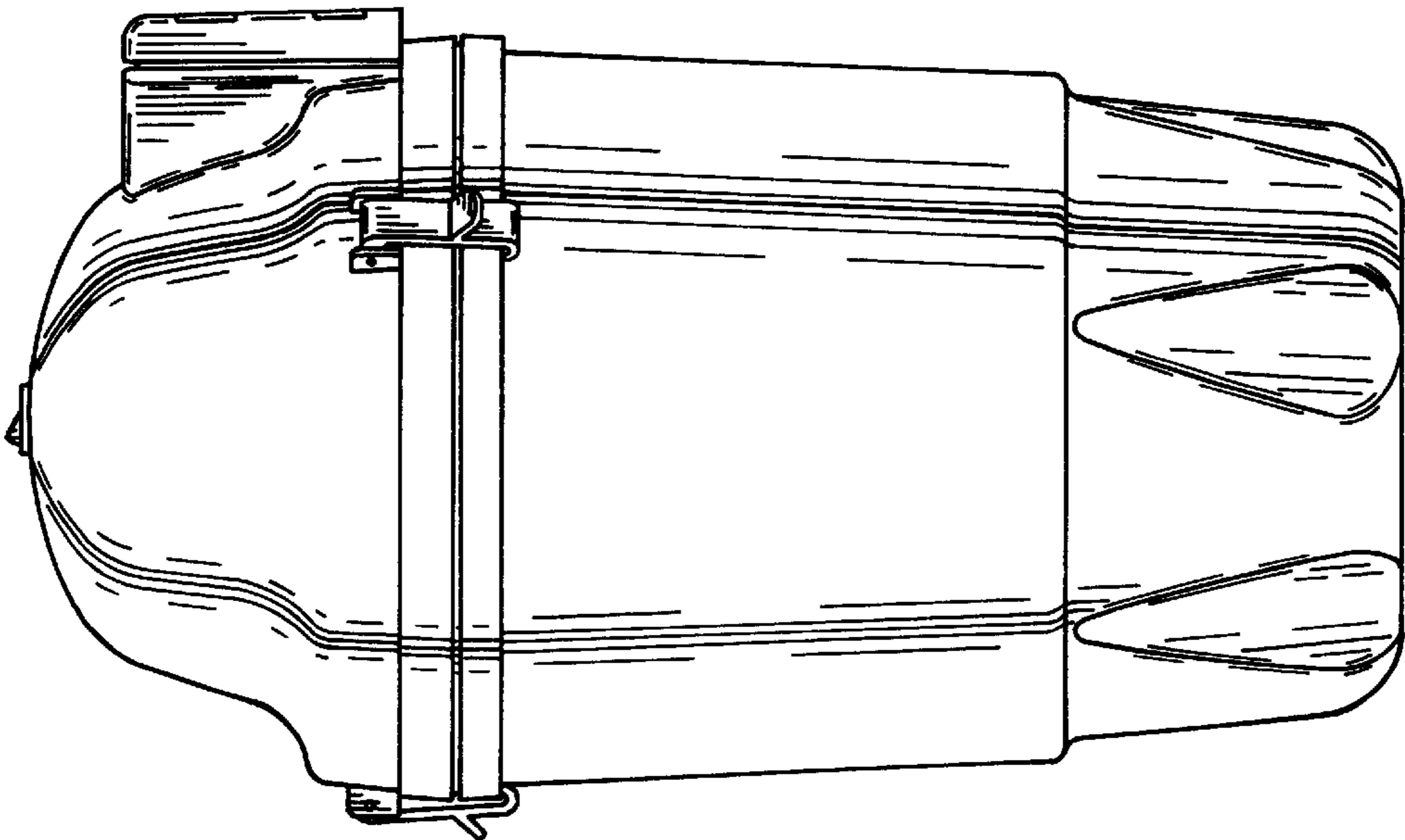


FIG. 2

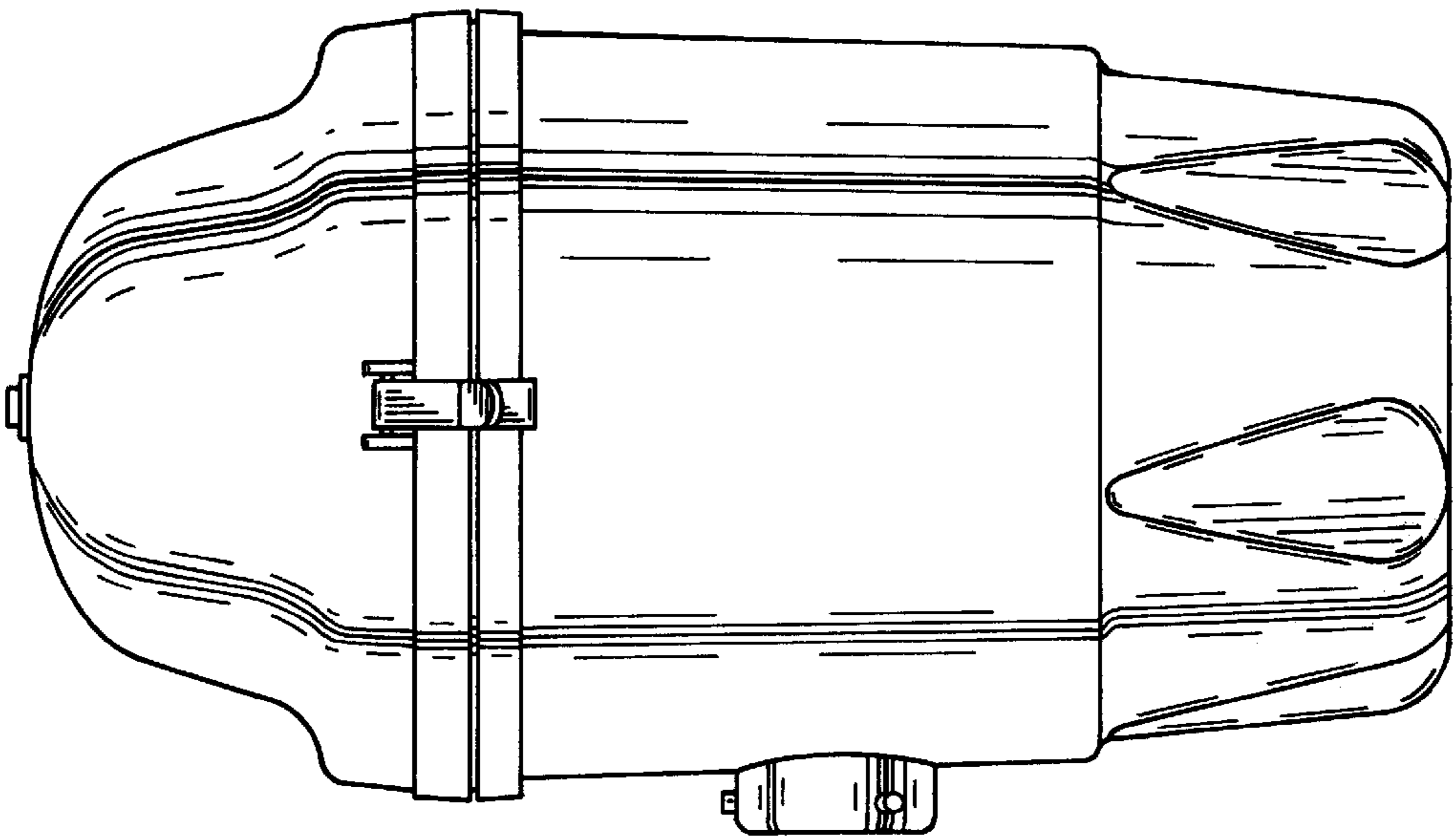


FIG. 5

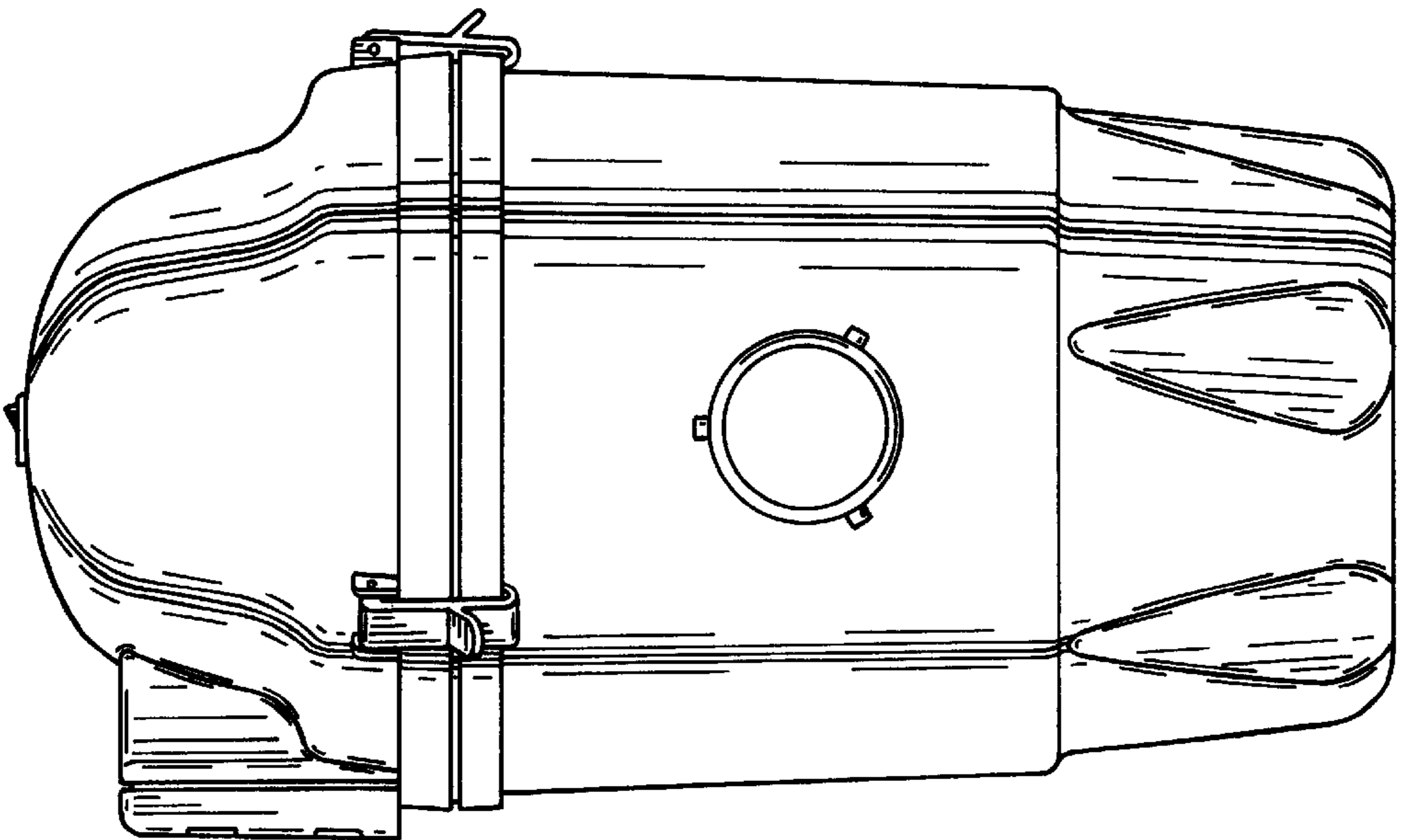


FIG. 4

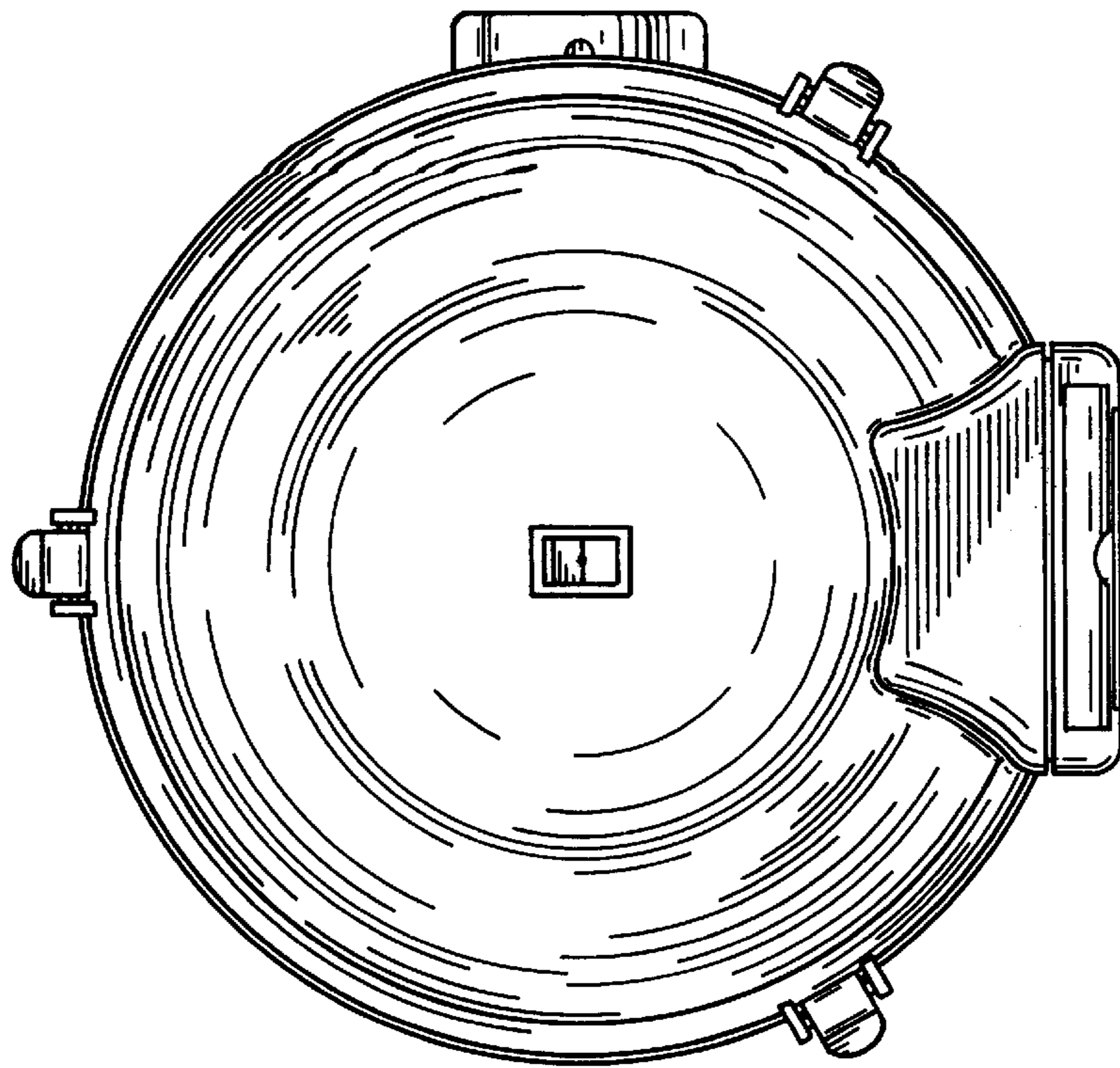


FIG. 6

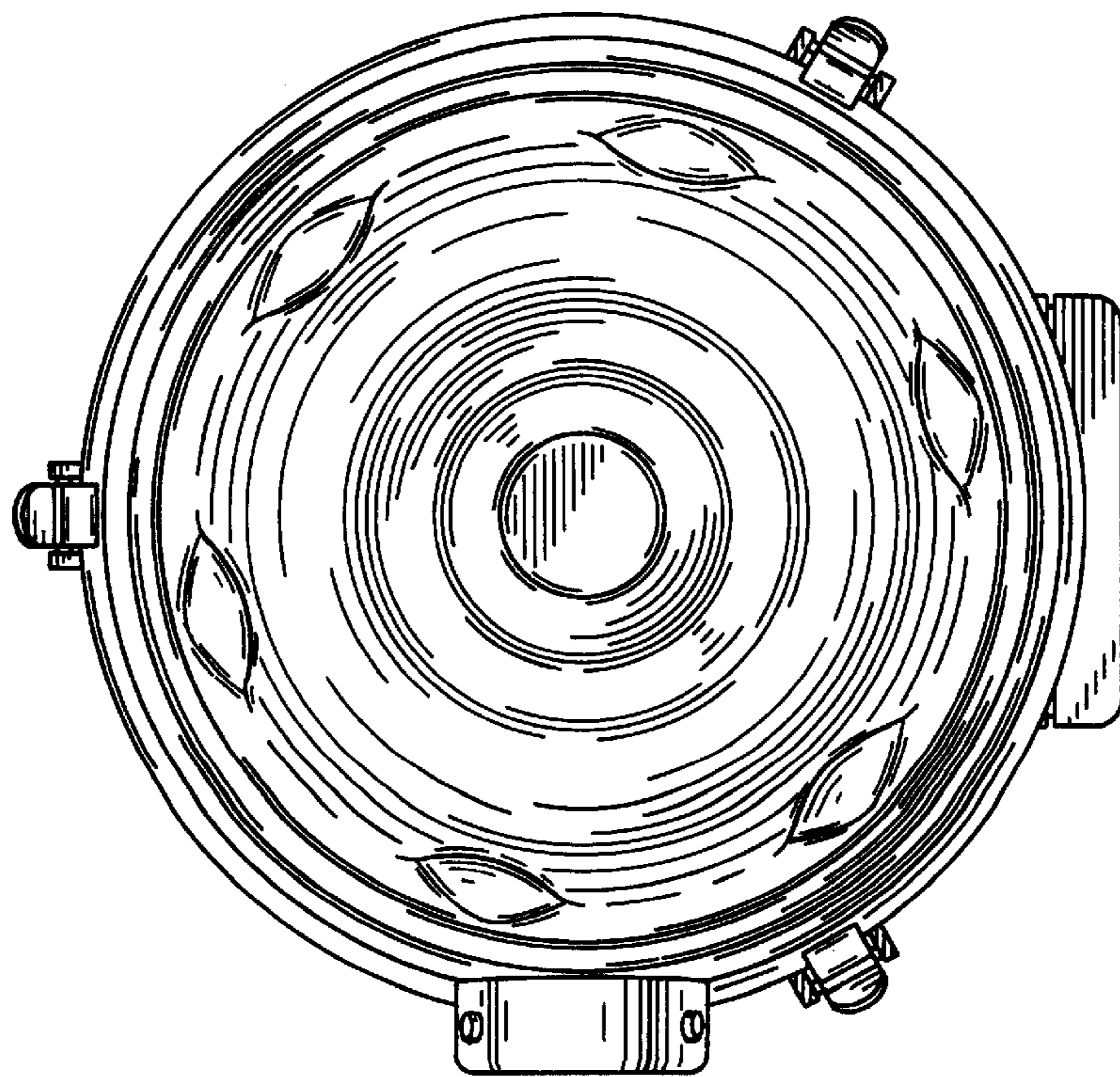


FIG. 7