



US00D455530S

(12) **United States Design Patent**
Fujii

(10) **Patent No.:** **US D455,530 S**

(45) **Date of Patent:** **** Apr. 9, 2002**

(54) **VACUUM CLEANER**

(75) **Inventor:** **Nobuhiro Fujii, Osaka-fu (JP)**

(73) **Assignee:** **Sharp Kabushiki Kaisha, Osaka (JP)**

(**) **Term:** **14 Years**

(21) **Appl. No.:** **29/136,402**

(22) **Filed:** **Jan. 31, 2001**

(30) **Foreign Application Priority Data**

Jul. 31, 2000 (JP) 2000-020893

(51) **LOC (7) Cl. 15-05**

(52) **U.S. Cl. D32/22**

(58) **Field of Search D32/21-22, 25,**
D32/31, 34; 15/329, 320-321, 323, 350-353

(56) **References Cited**

U.S. PATENT DOCUMENTS

- D305,269 S * 12/1989 Dyson D32/22
- D325,274 S 4/1992 Ikeda
- D327,145 S 6/1992 Kuriya
- D335,556 S 5/1993 Kuriya
- D343,707 S * 1/1994 Dyson D32/22
- D344,164 S 2/1994 Kuriya
- D354,593 S 1/1995 Koike
- D358,913 S 5/1995 Sugiyama et al.
- 5,502,872 A * 4/1996 Chae et al. 15/320

- D373,665 S 9/1996 Nakamura et al.
- D375,820 S * 11/1996 Piccaluga et al. D32/22
- D383,574 S 9/1997 Saimen et al.
- D398,093 S 9/1998 Fujima
- D403,477 S 12/1998 Tsujimoto et al.
- D403,478 S 12/1998 Tsujimoto et al.
- D421,164 S * 2/2000 Luebbering D32/22
- D436,699 S 1/2001 Makihara et al.
- D437,666 S * 2/2001 Park D32/22
- D443,004 S * 5/2001 Chan D21/526
- 6,253,414 B1 * 7/2001 Bradd et al. 15/320

* cited by examiner

Primary Examiner—Ruth McInroy

(74) *Attorney, Agent, or Firm*—Nixon & Vanderhye

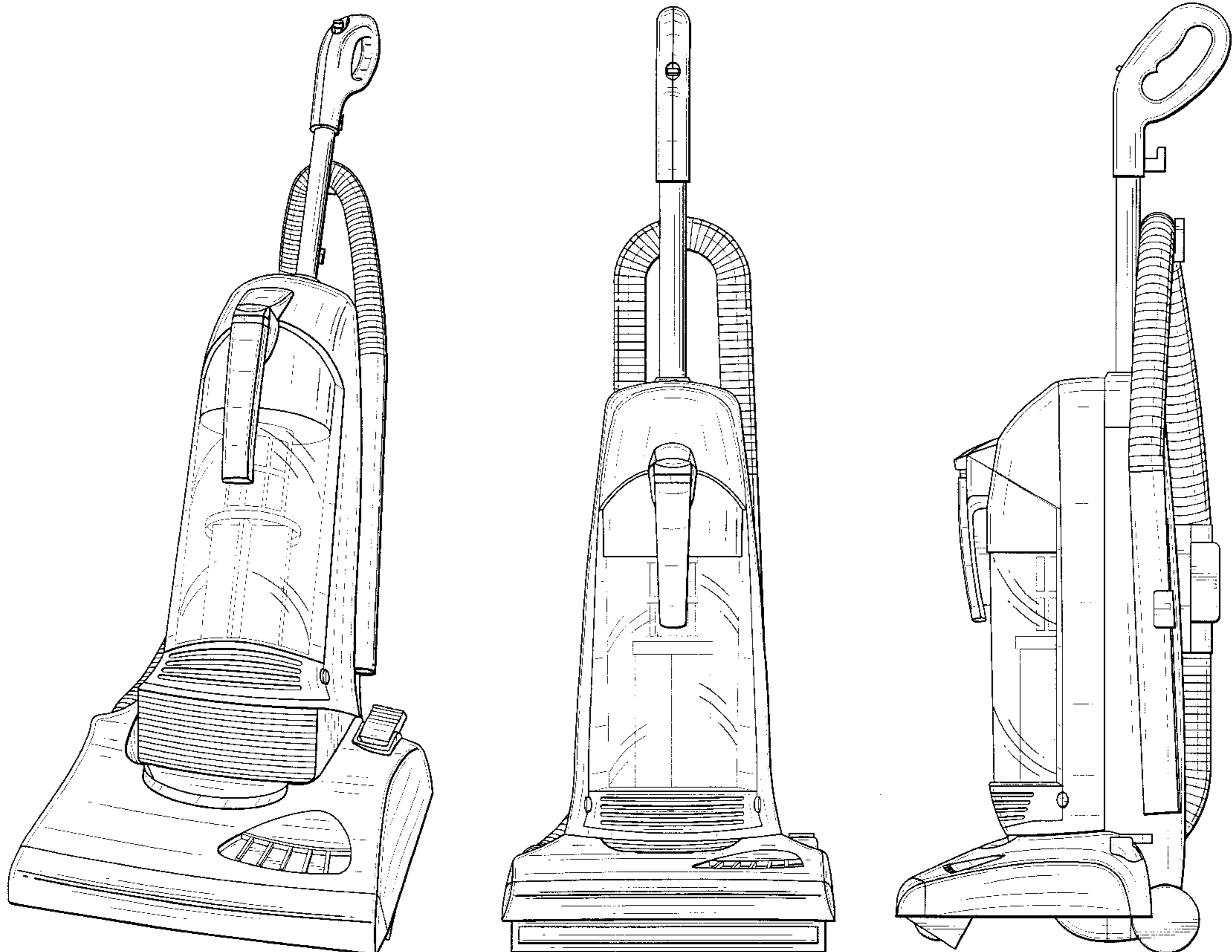
(57) **CLAIM**

The ornamental design for a vacuum cleaner, as shown and described.

DESCRIPTION

FIG. 1 is a top, front and right side perspective view of a vacuum cleaner showing my new design; FIG. 2 is a front elevational view thereof; FIG. 3 is a rear elevational view thereof; FIG. 4 is a right side elevational view thereof; FIG. 5 is a left side elevational view thereof; FIG. 6 is a bottom plan view thereof; and, FIG. 7 is a top plan view thereof.

1 Claim, 6 Drawing Sheets



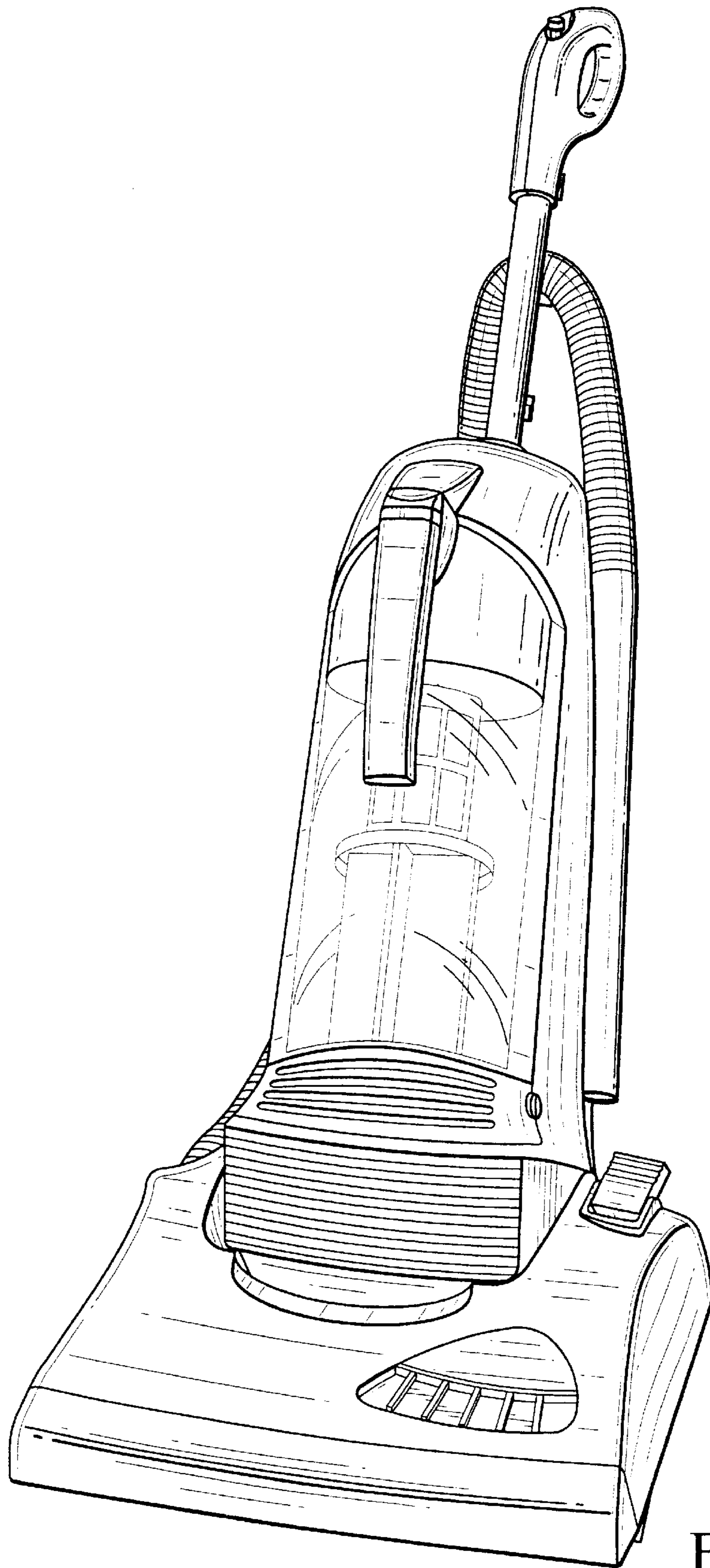


Fig. 1

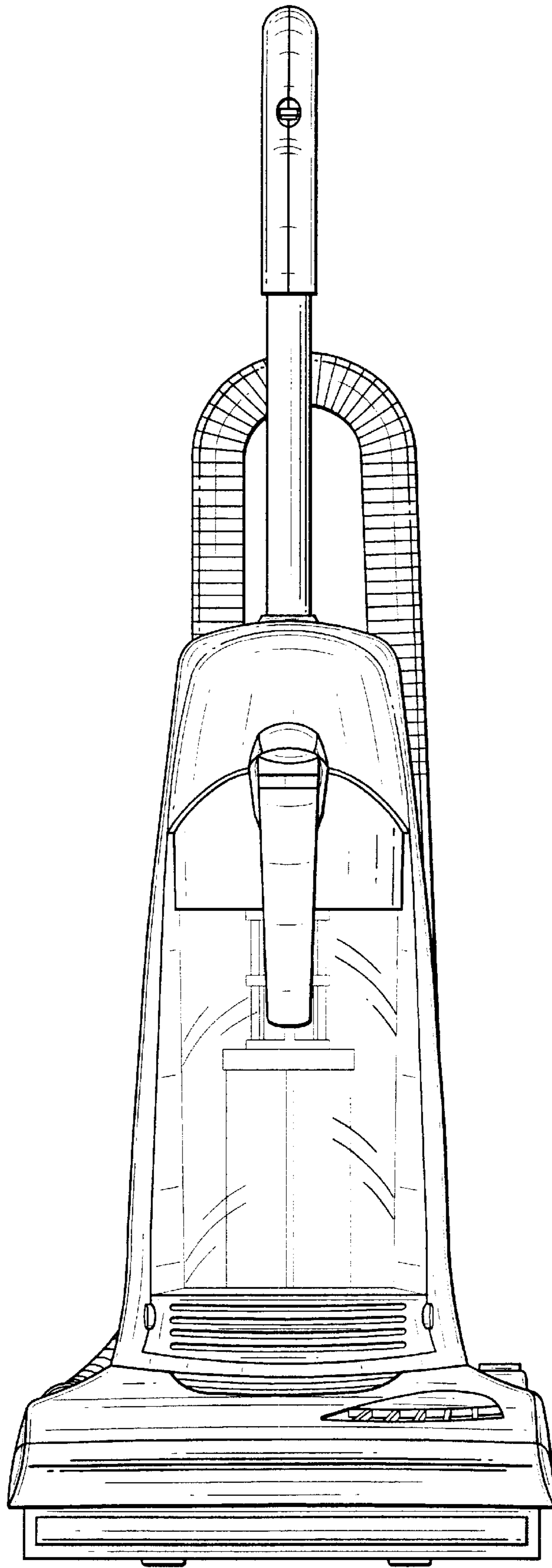


Fig. 2

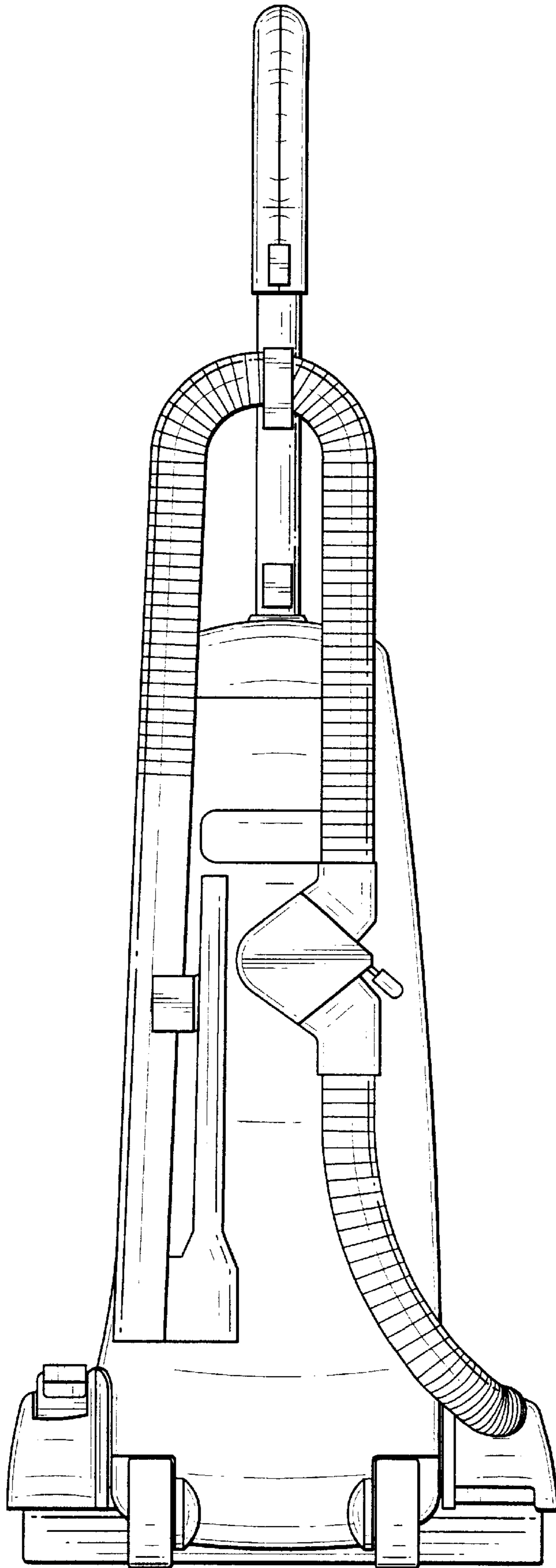


Fig. 3

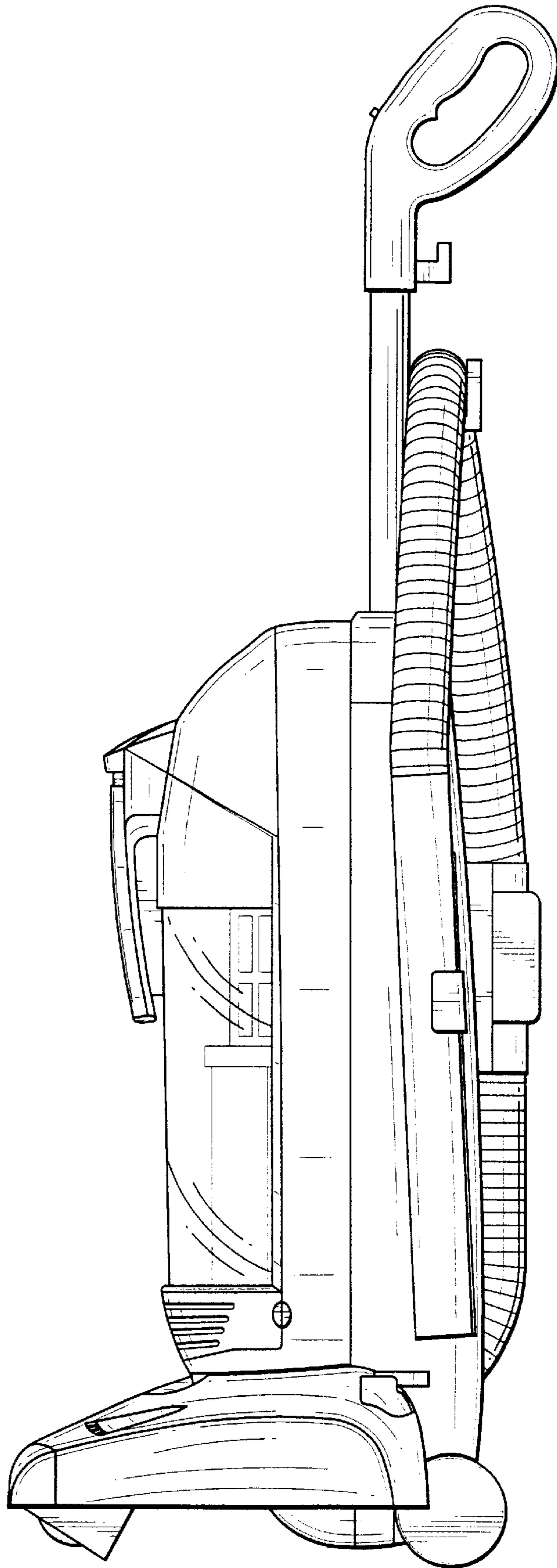


Fig. 4

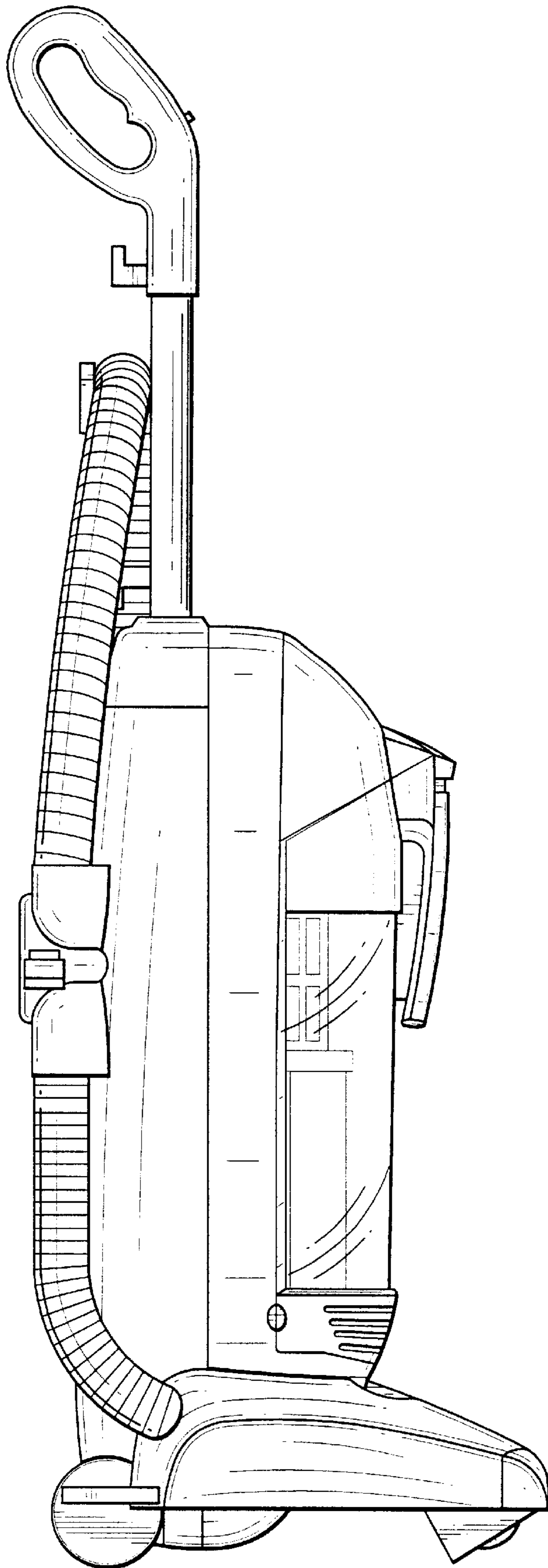


Fig. 5

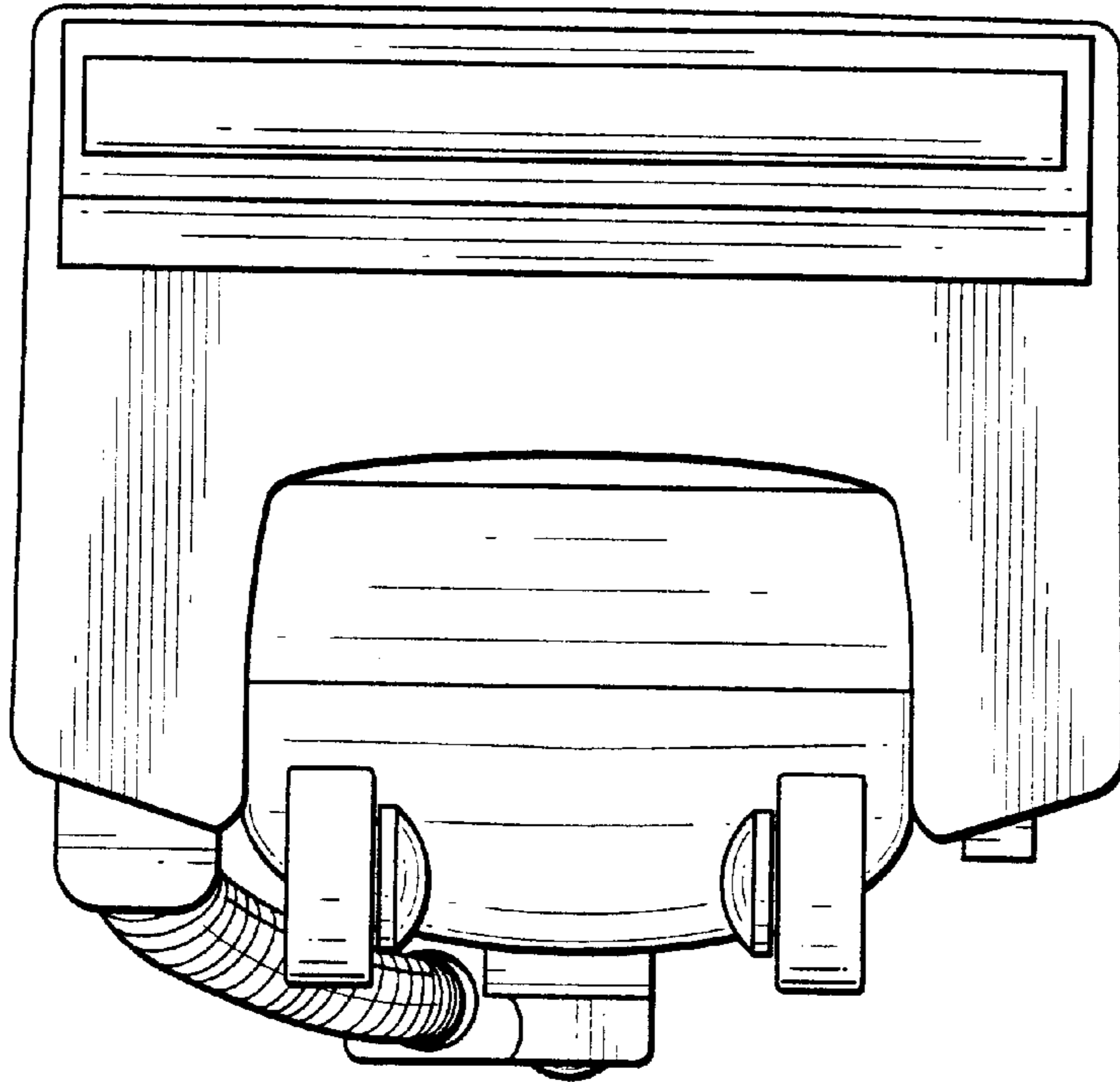


Fig. 6

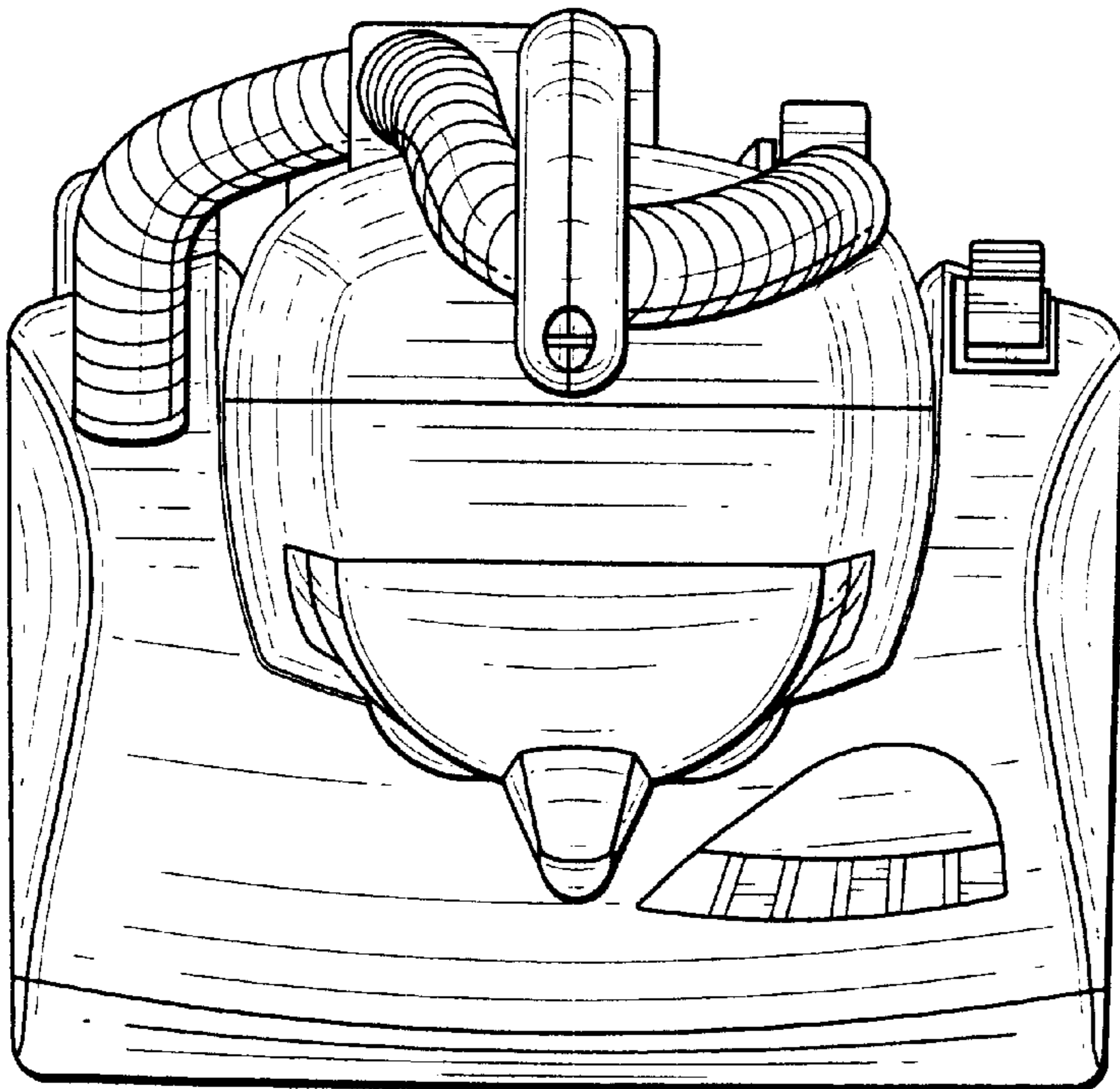


Fig. 7