



US00D45529S

(12) **United States Design Patent**  
**Wu**

(10) **Patent No.:** **US D455,529 S**

(45) **Date of Patent:** **\*\* Apr. 9, 2002**

(54) **CLEANING MACHINE**

D430,711 S \* 9/2000 Piret ..... D32/21

(76) Inventor: **Lambert Wu**, No. 78-19, Chung Shan Rd., Pali Hsiang, Taipei Hsien (TW)

\* cited by examiner

(\*\*) Term: **14 Years**

*Primary Examiner*—Ruth McInroy

(74) *Attorney, Agent, or Firm*—Rabin & Berdo, P.C.

(21) Appl. No.: **29/142,948**

(57) **CLAIM**

(22) Filed: **Jun. 6, 2001**

The ornamental design for a cleaning machine, as shown and described.

(51) **LOC (7) Cl.** ..... **15-05**

**DESCRIPTION**

(52) **U.S. Cl.** ..... **D32/21**

FIG. 1 is the perspective view of a cleaning machine showing my new design;

(58) **Field of Search** ..... D32/21, 23-25,

D32/31; 15/327.1, 327.2, 327.3, 327.4,

327.5, 327.6, 327.7, 321, 323, 339

FIG. 2 is the front view thereof;

FIG. 3 is the rear view thereof;

FIG. 4 is the left side view thereof;

FIG. 5 is the right side view thereof;

FIG. 6 is the top view thereof; and,

FIG. 7 is the bottom view thereof.

(56) **References Cited**

**U.S. PATENT DOCUMENTS**

D344,165 S \* 2/1994 Kuriya ..... D32/21

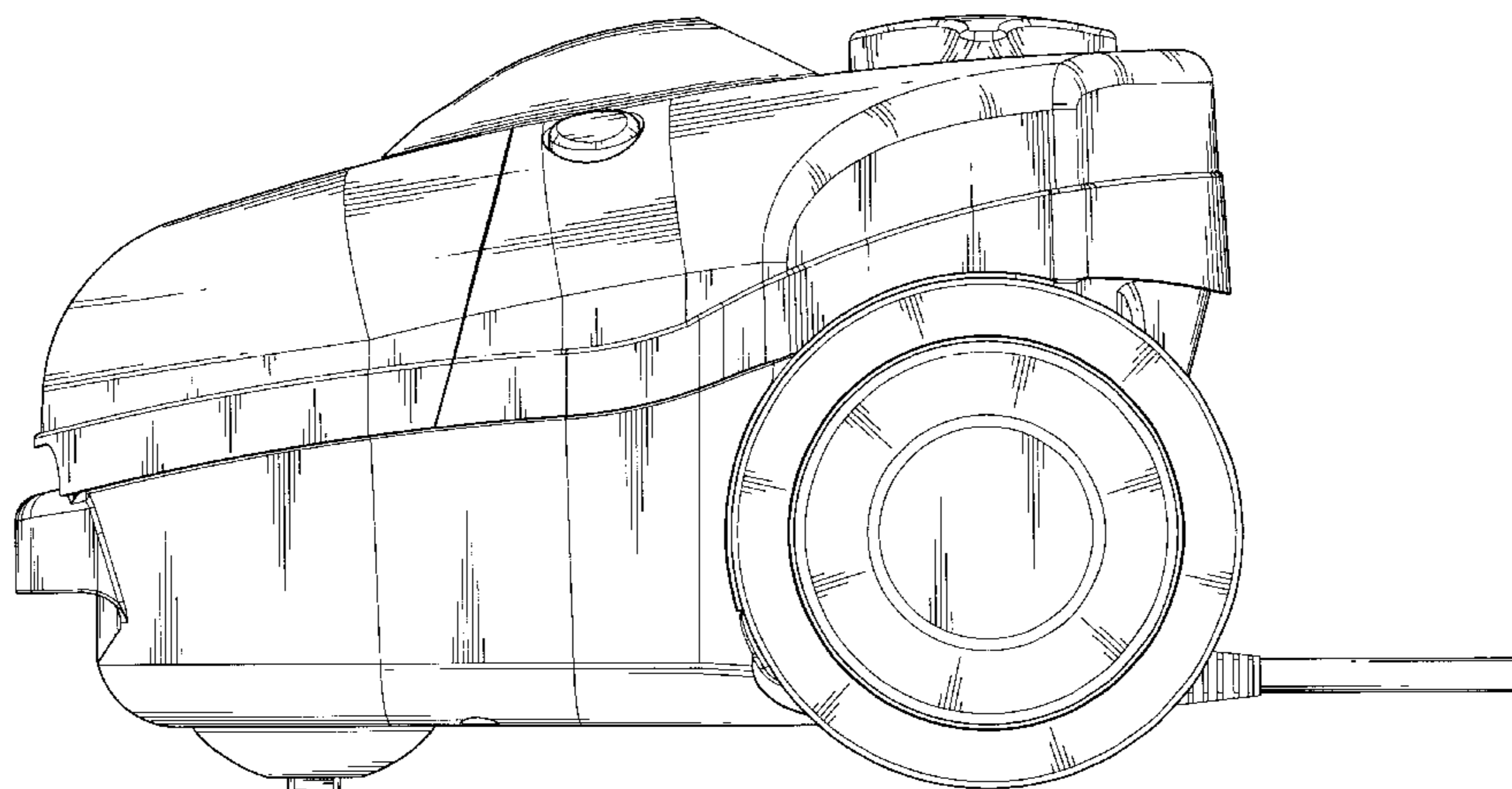
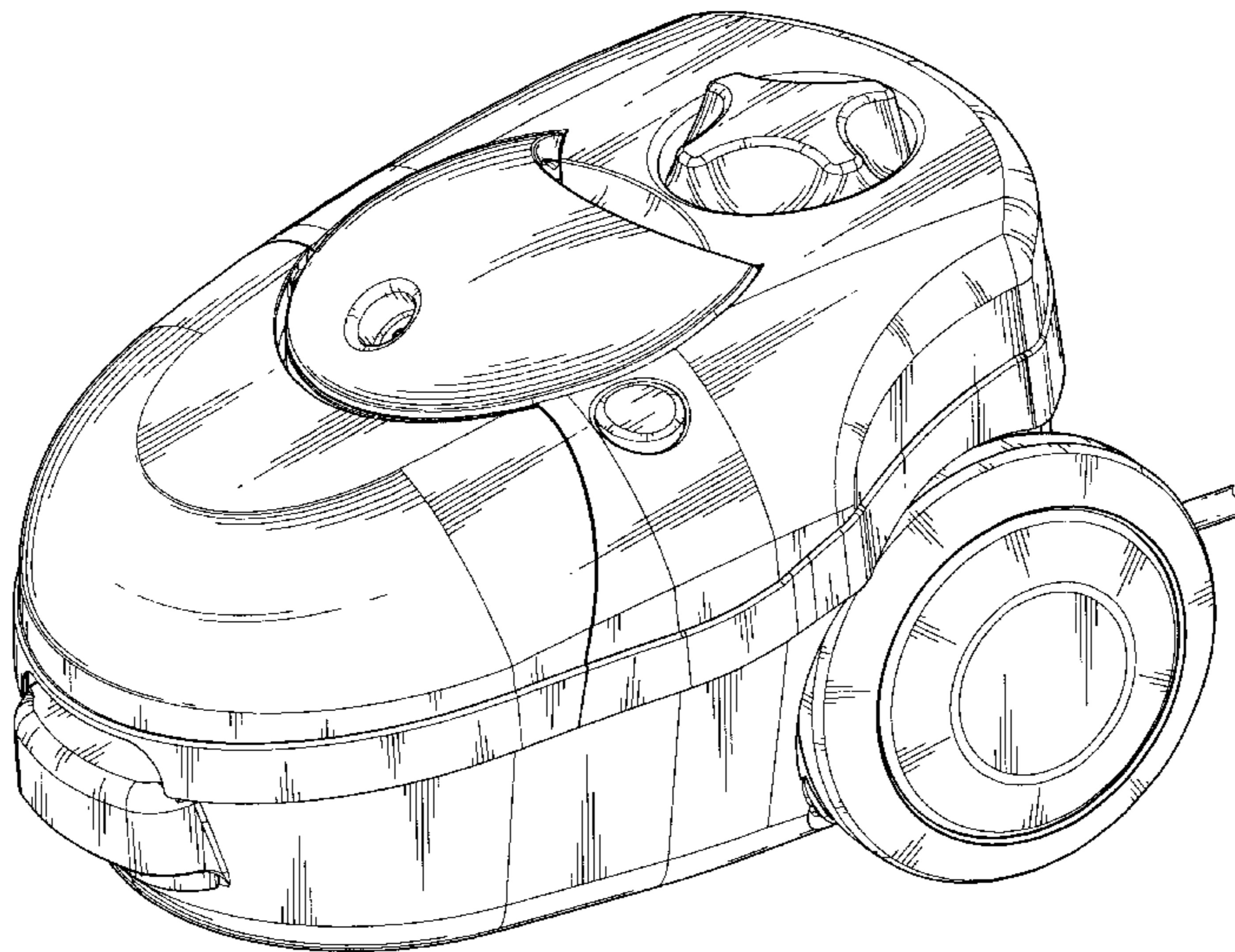
D376,229 S \* 12/1996 Hughes ..... D32/21

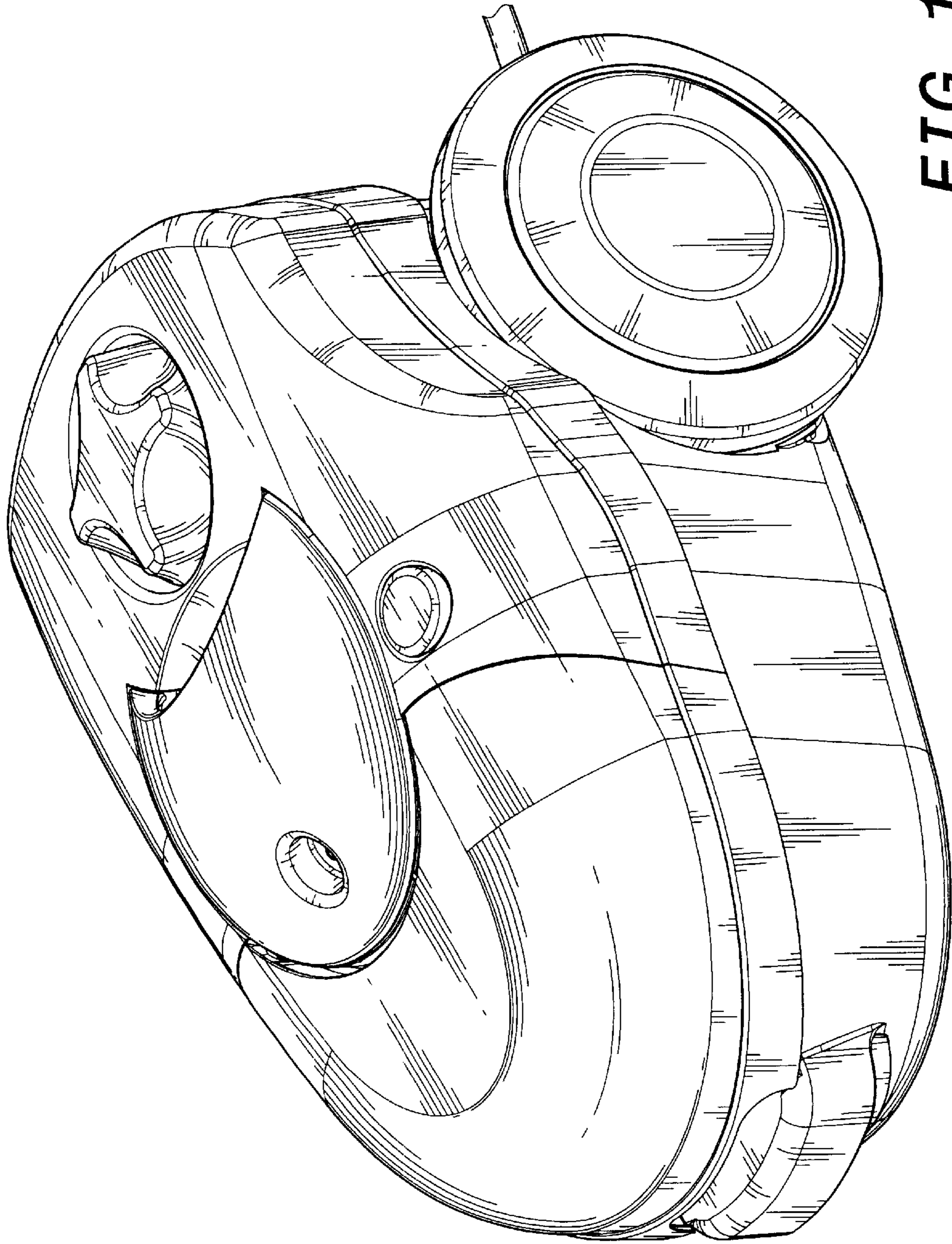
D391,700 S \* 3/1998 Hughes ..... D32/21

D416,363 S \* 11/1999 Moritani ..... D32/21

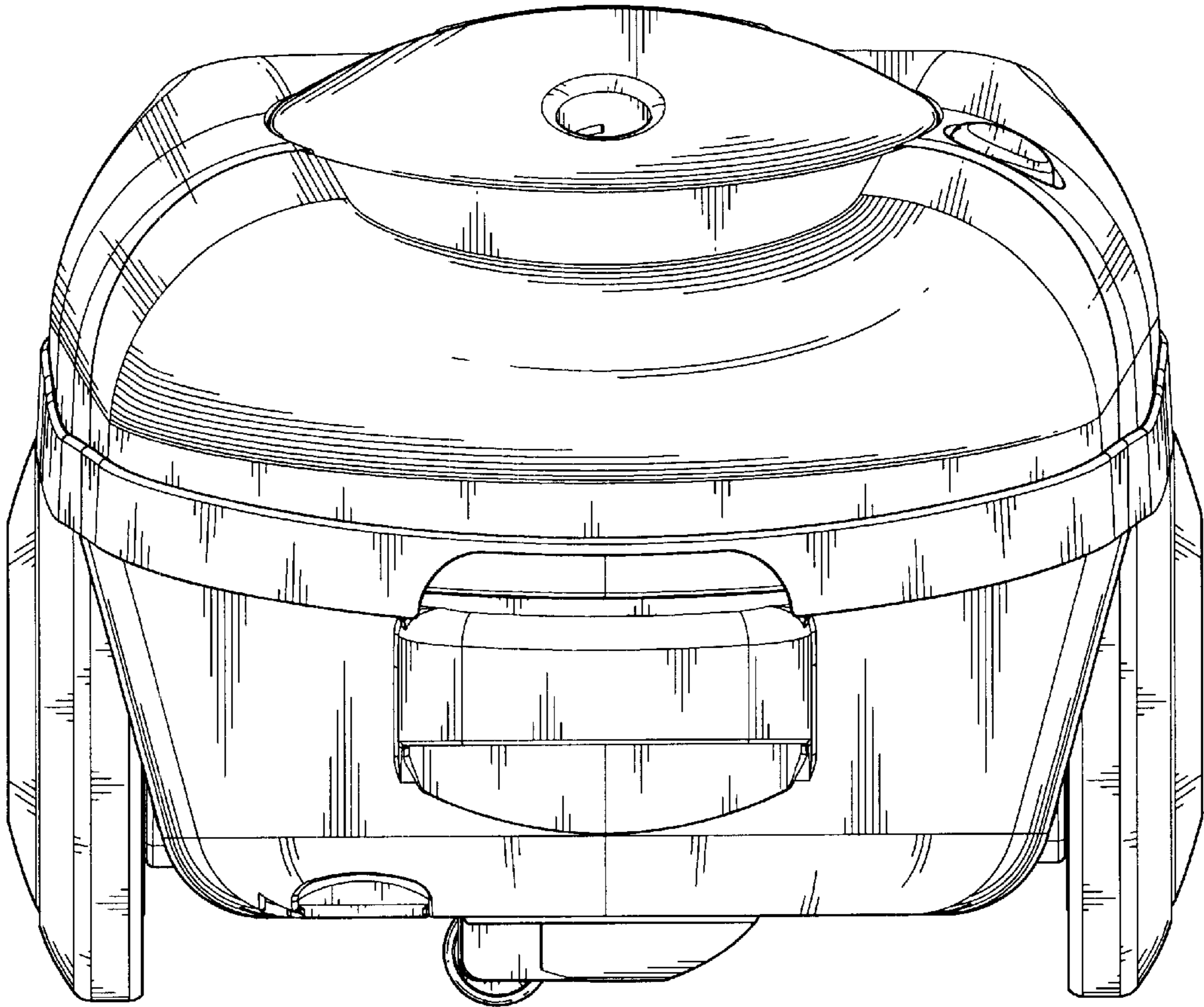
The electric cord shown broken away in FIGS. 1, 4, 5, 6 and 7 is understood to represent indeterminate length.

**1 Claim, 7 Drawing Sheets**

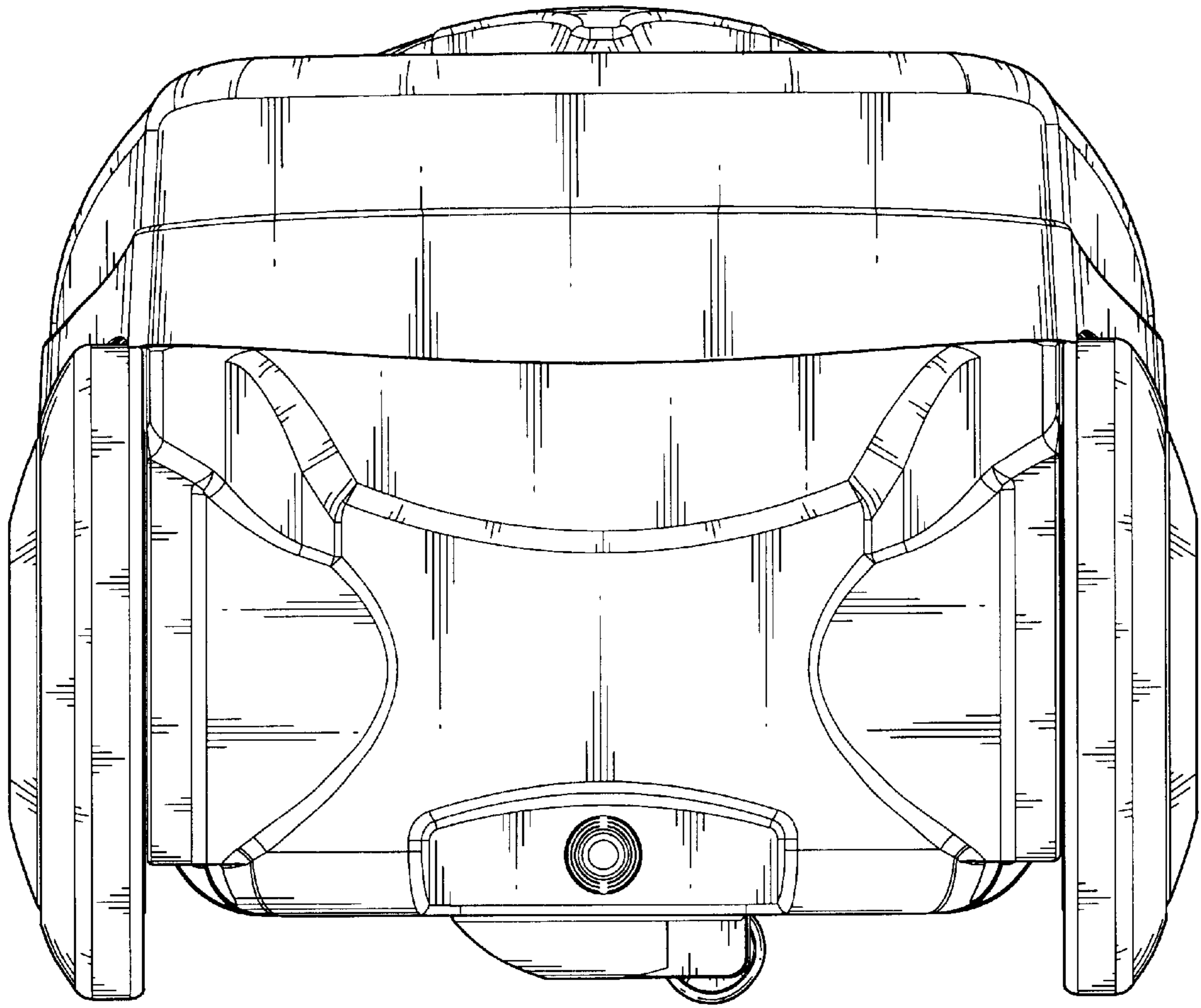




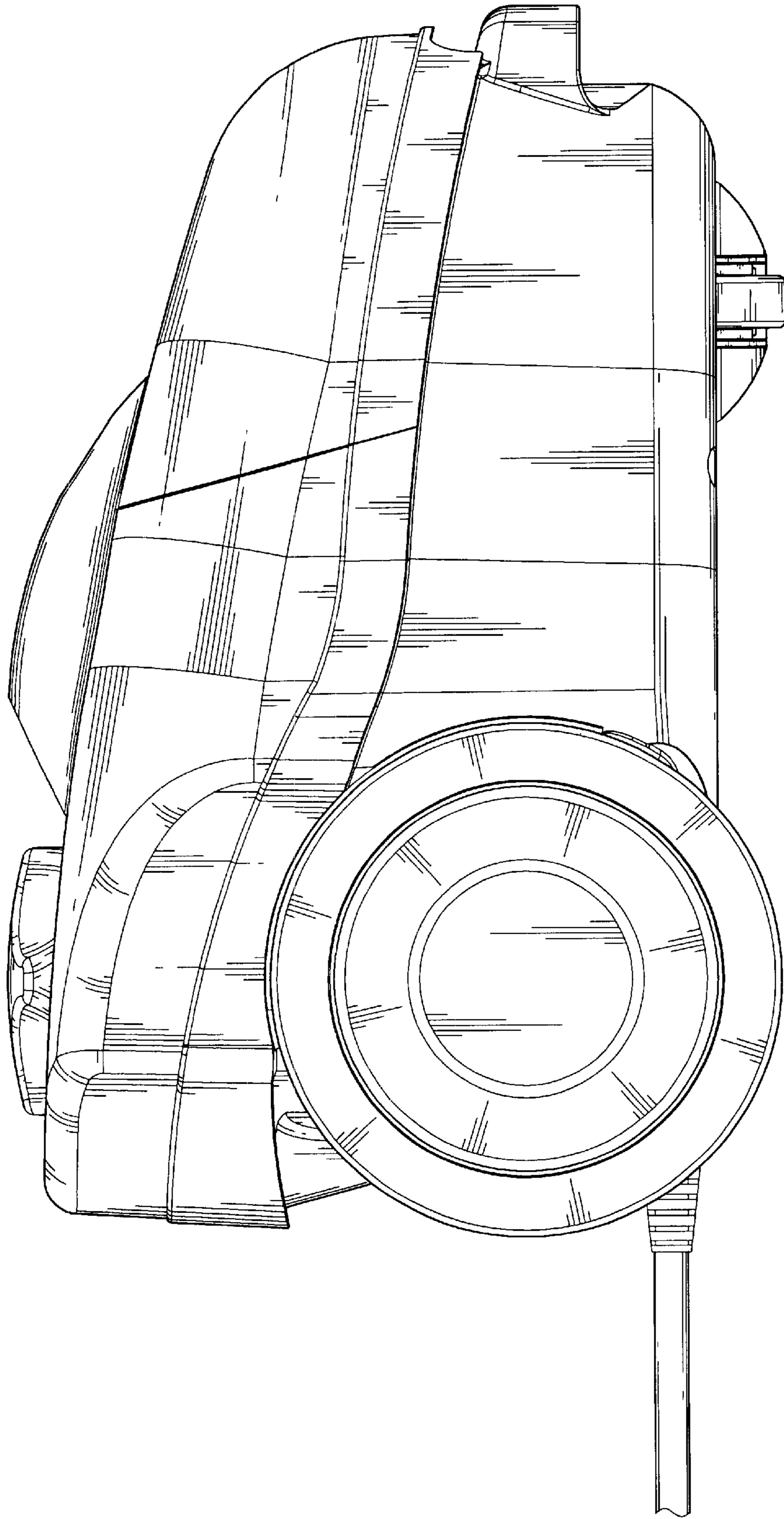
**FIG. 1**



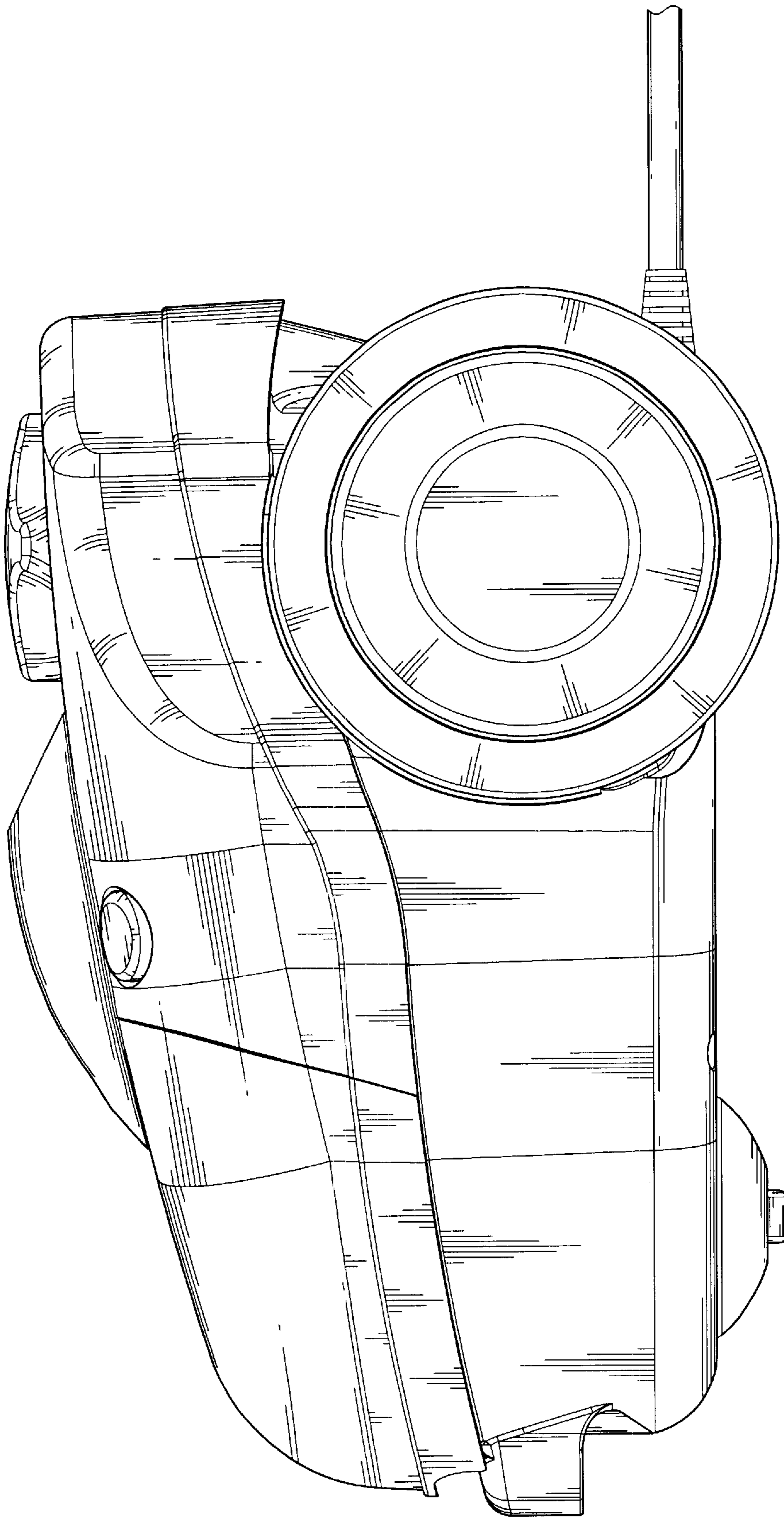
**FIG. 2**



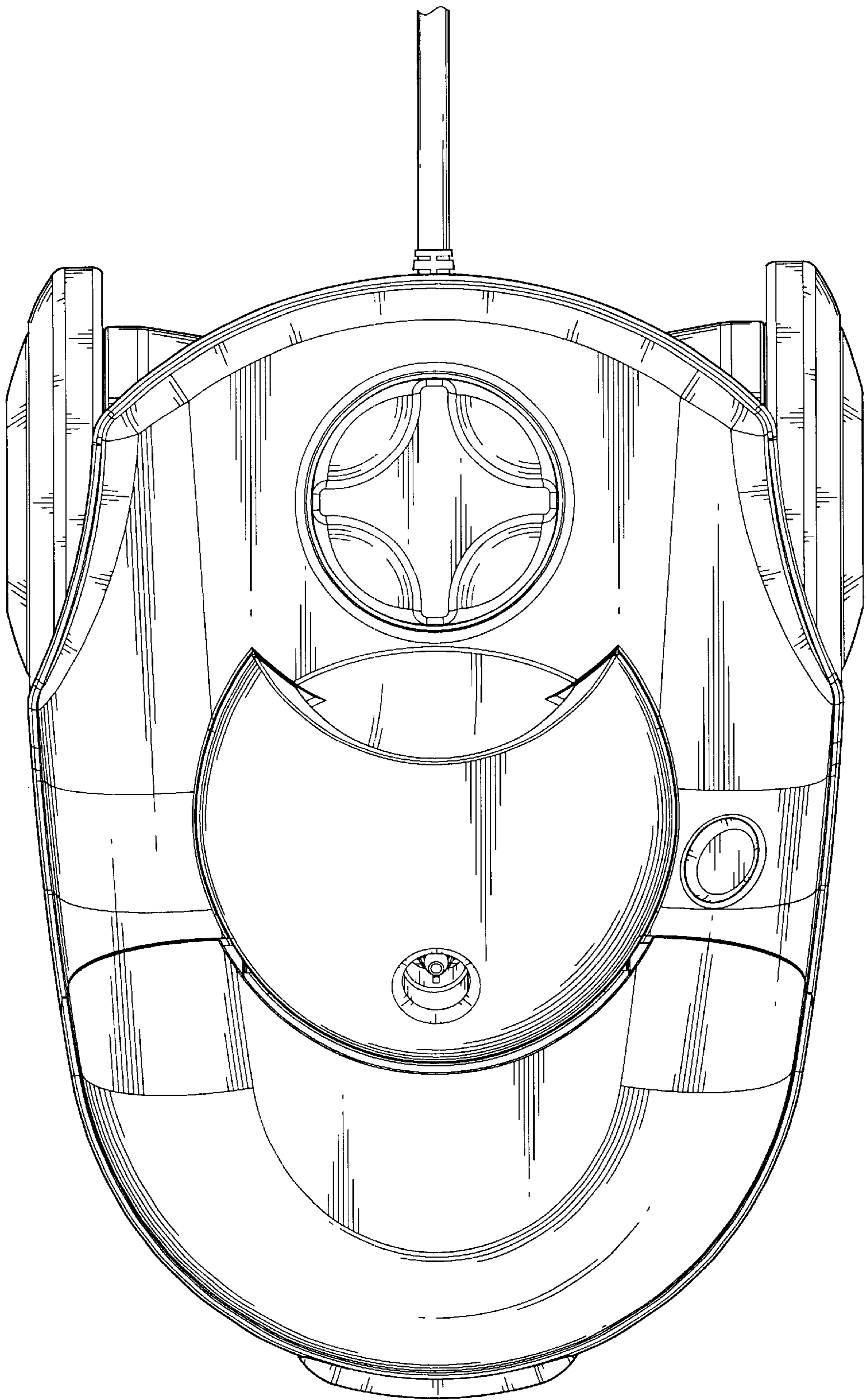
**FIG. 3**



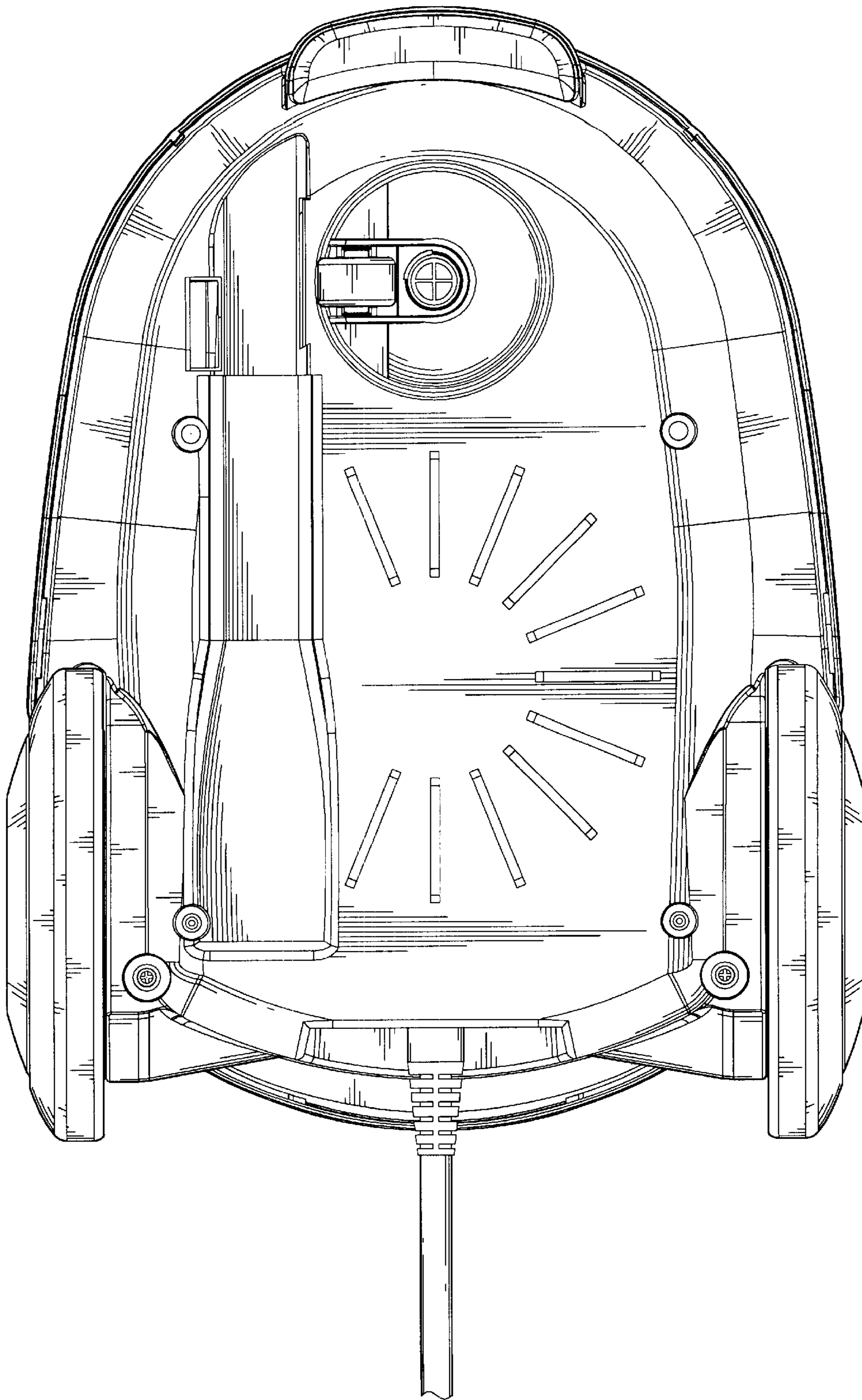
**FIG. 4**



**FIG. 5**



**FIG. 6**



**FIG. 7**