



US00D455527S

(12) **United States Design Patent**
Epstein

(10) **Patent No.:** **US D455,527 S**

(45) **Date of Patent:** **** Apr. 9, 2002**

(54) **PET LEASH**

D341,912 S * 11/1993 Ayala D30/153
D372,756 S * 8/1996 May D30/153

(76) Inventor: **David Drew Epstein**, 6104 St. Clair Ave., North Hollywood, CA (US) 91606

* cited by examiner

(**) Term: **14 Years**

Primary Examiner—Pamela Burgess
(74) *Attorney, Agent, or Firm*—Goldstein Law Offices, P.C.

(21) Appl. No.: **29/128,563**

(57) **CLAIM**

(22) Filed: **Aug. 28, 2000**

The ornamental design for a pet leash, as shown and described.

(51) **LOC (7) Cl.** **30-04**

(52) **U.S. Cl.** **D30/153; D11/20**

(58) **Field of Search** D30/151-153;
119/792, 795, 798, 769, 770; D11/23, 20,
19, 18

DESCRIPTION

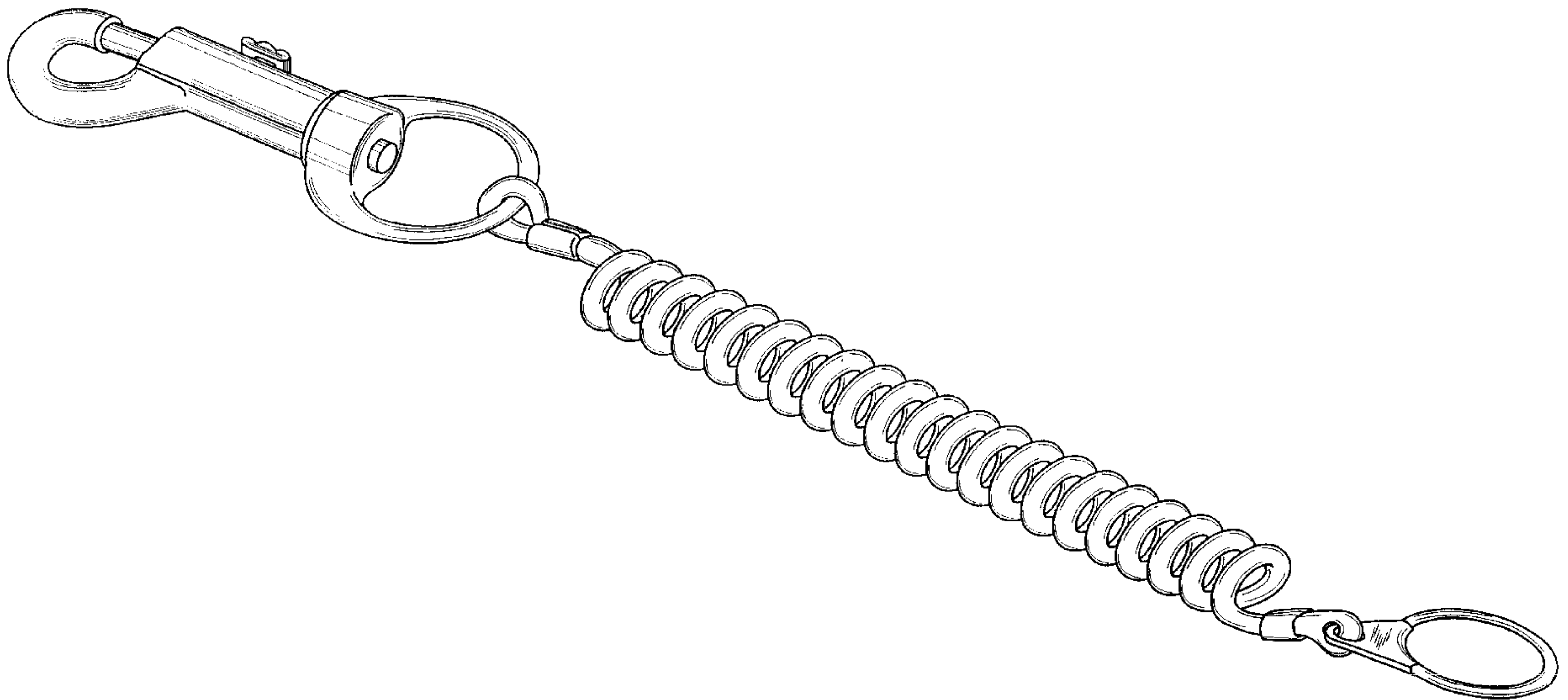
FIG. 1 is a perspective view of a pet leash;
FIG. 2 is a rear elevational view thereof;
FIG. 3 is a front elevational view thereof;
FIG. 4 is a top plan view thereof;
FIG. 5 is a bottom plan view thereof;
FIG. 6 is a left side elevational view of the pet leash; and,
FIG. 7 is a right side elevational view thereof.

(56) **References Cited**

U.S. PATENT DOCUMENTS

2,911,947 A * 11/1959 Kramer 119/798
2,994,300 A * 8/1961 Grahling 119/770
D289,739 S * 5/1987 Froidevaux et al. D30/153

1 Claim, 4 Drawing Sheets



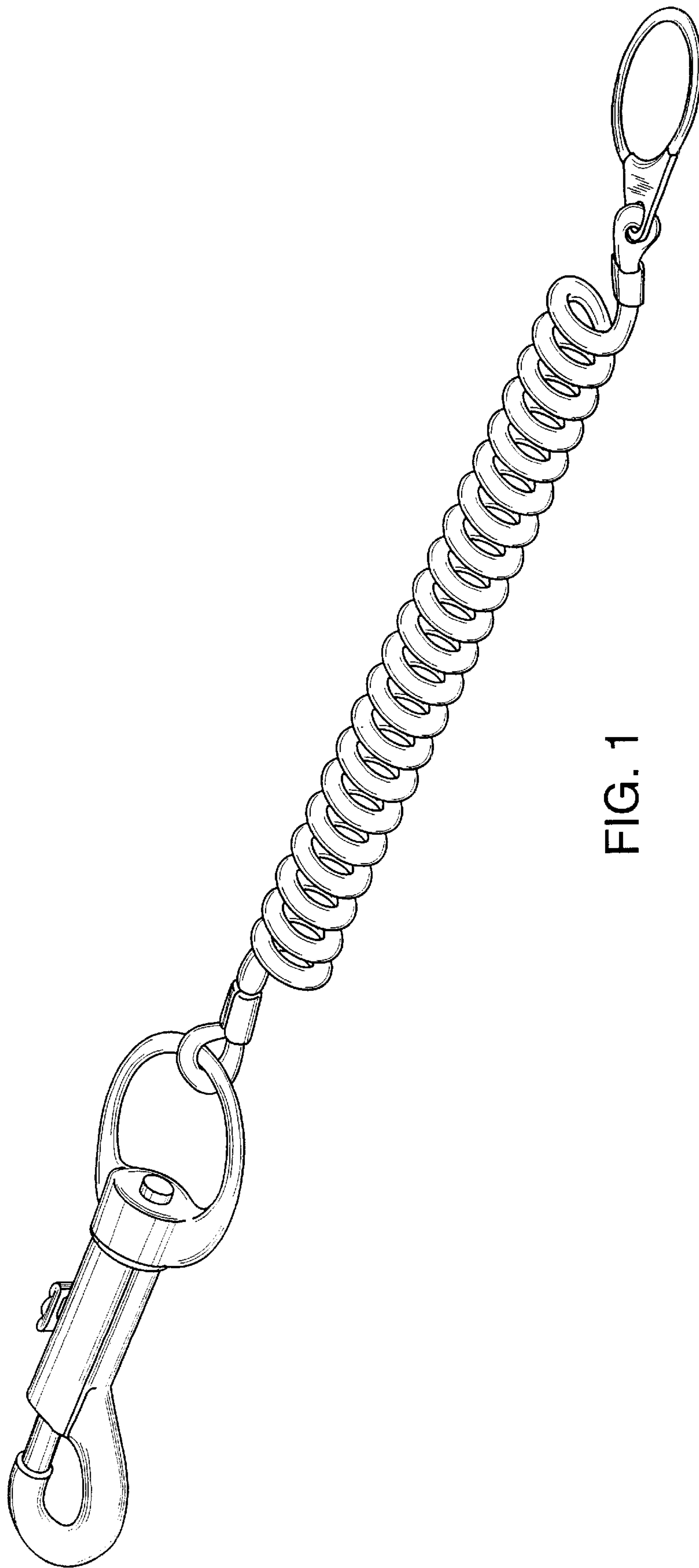


FIG. 1

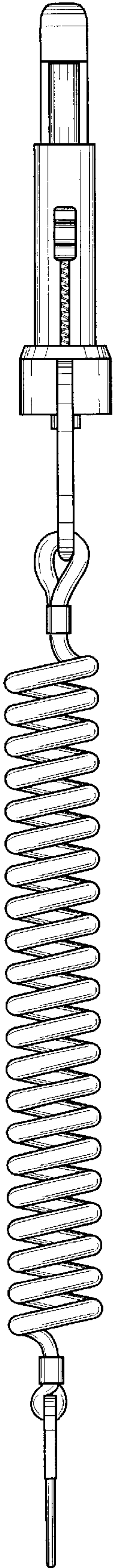


FIG. 2

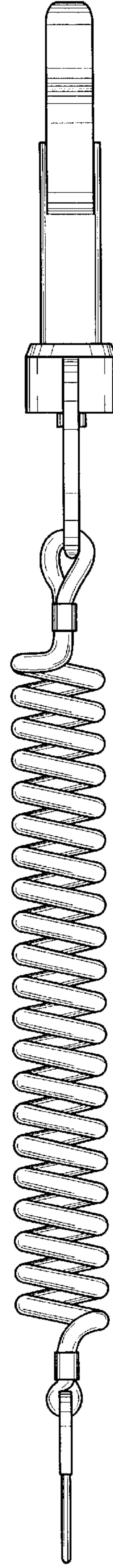


FIG. 3

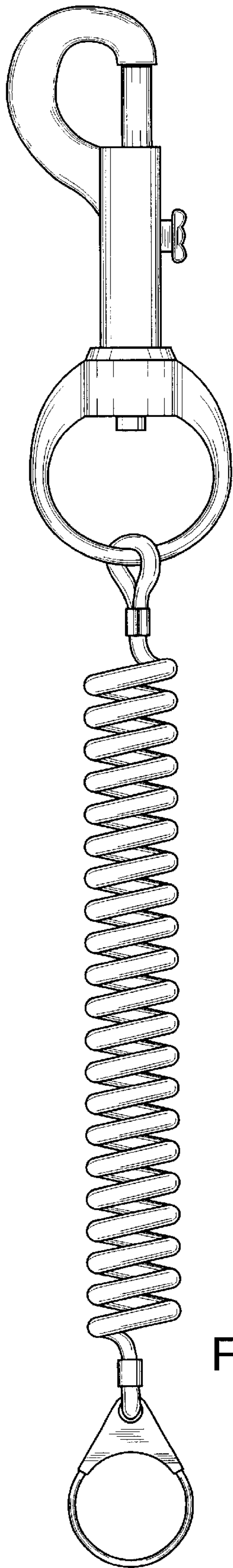


FIG. 4

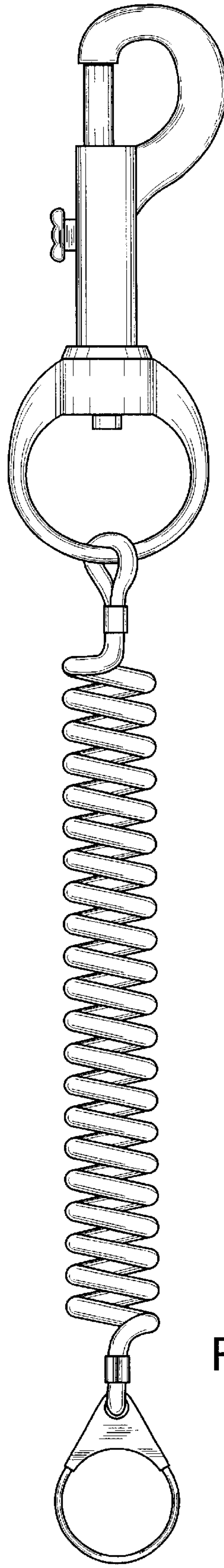


FIG. 5

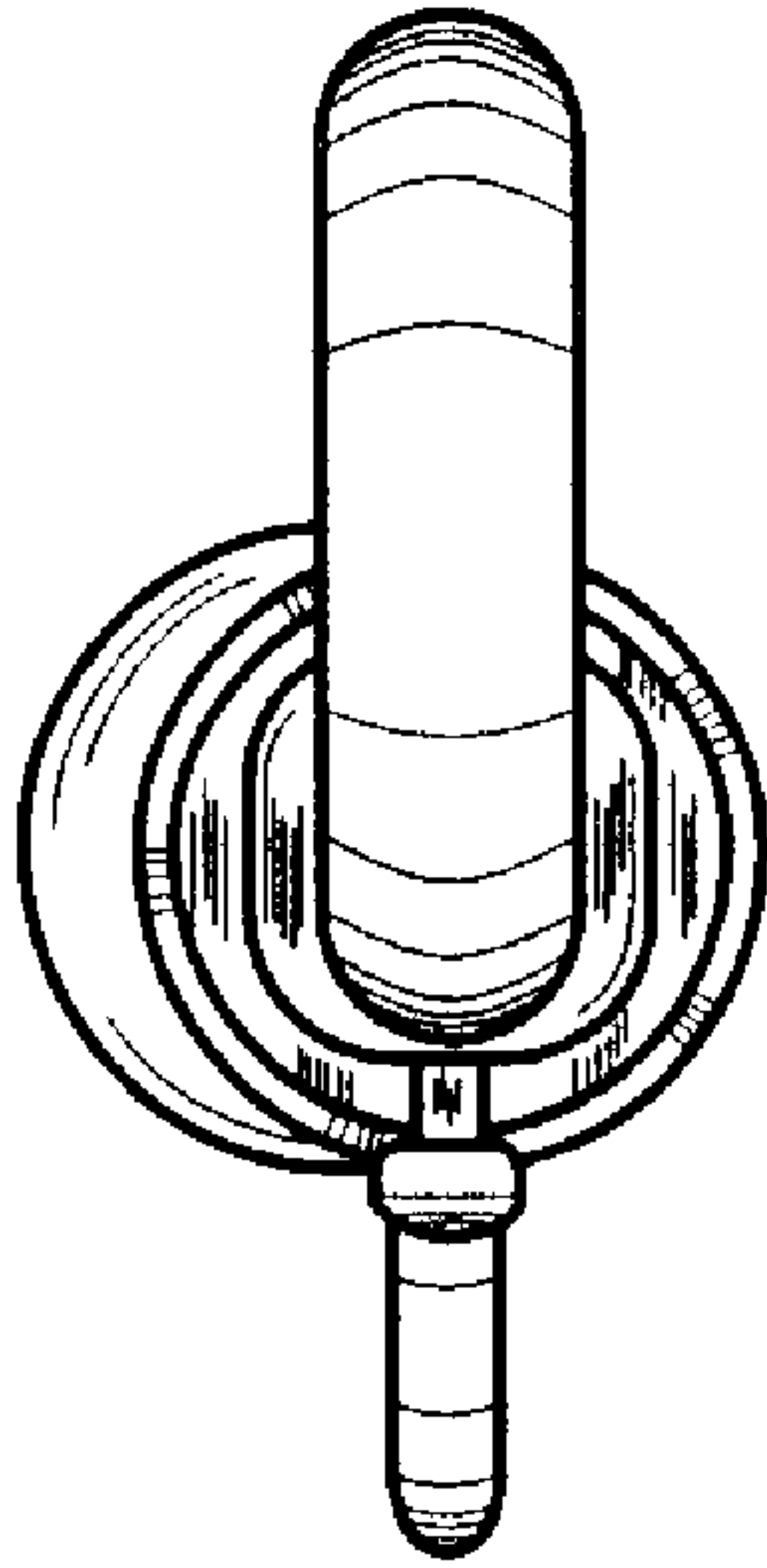


FIG. 6

FIG. 7

