



US00D455526S

(12) **United States Design Patent**
Chrisco et al.

(10) **Patent No.:** **US D455,526 S**

(45) **Date of Patent:** **** Apr. 9, 2002**

(54) **COMBINED PET FEEDER AND WATERER**

Primary Examiner—Pamela Burgess

(74) *Attorney, Agent, or Firm*—Hovey Williams LLP

(75) Inventors: **Larry L. Chrisco**, Fairland; **Charles L. Forbis**, Quapaw, both of OK (US)

(57) **CLAIM**

(73) Assignee: **Blitz U.S.A., Inc.**, Miami, OK (US)

The ornamental design for a combined pet feeder and waterer, as shown and described.

(**) Term: **14 Years**

DESCRIPTION

(21) Appl. No.: **29/142,522**

FIG. 1 is a front perspective view of the first embodiment of a combined pet feeder and waterer showing the pet waterer; FIG. 2 is a side elevational view thereof; FIG. 3 is a top plan view thereof; FIG. 4 is a front elevational view thereof; FIG. 5 is a rear elevational view thereof; FIG. 6 is a bottom plan view of the water container portion of the pet waterer shown separately for clarity of disclosure; FIG. 7 is a front perspective view of a second embodiment of a combined pet feeder and waterer showing the pet feeder; FIG. 8 is a side elevational view thereof; FIG. 9 is a top plan view thereof; FIG. 10 is a front elevational view thereof; and, FIG. 11 is a rear elevational view thereof.

(22) Filed: **May 29, 2001**

(51) **LOC (7) Cl.** **30-07**

(52) **U.S. Cl.** **D30/121**

(58) **Field of Search** D30/121, 122, D30/128, 129, 132, 133, 124; 119/41, 77, 61, 52.1, 51.5, 72, 74, 53, 54, 51.14

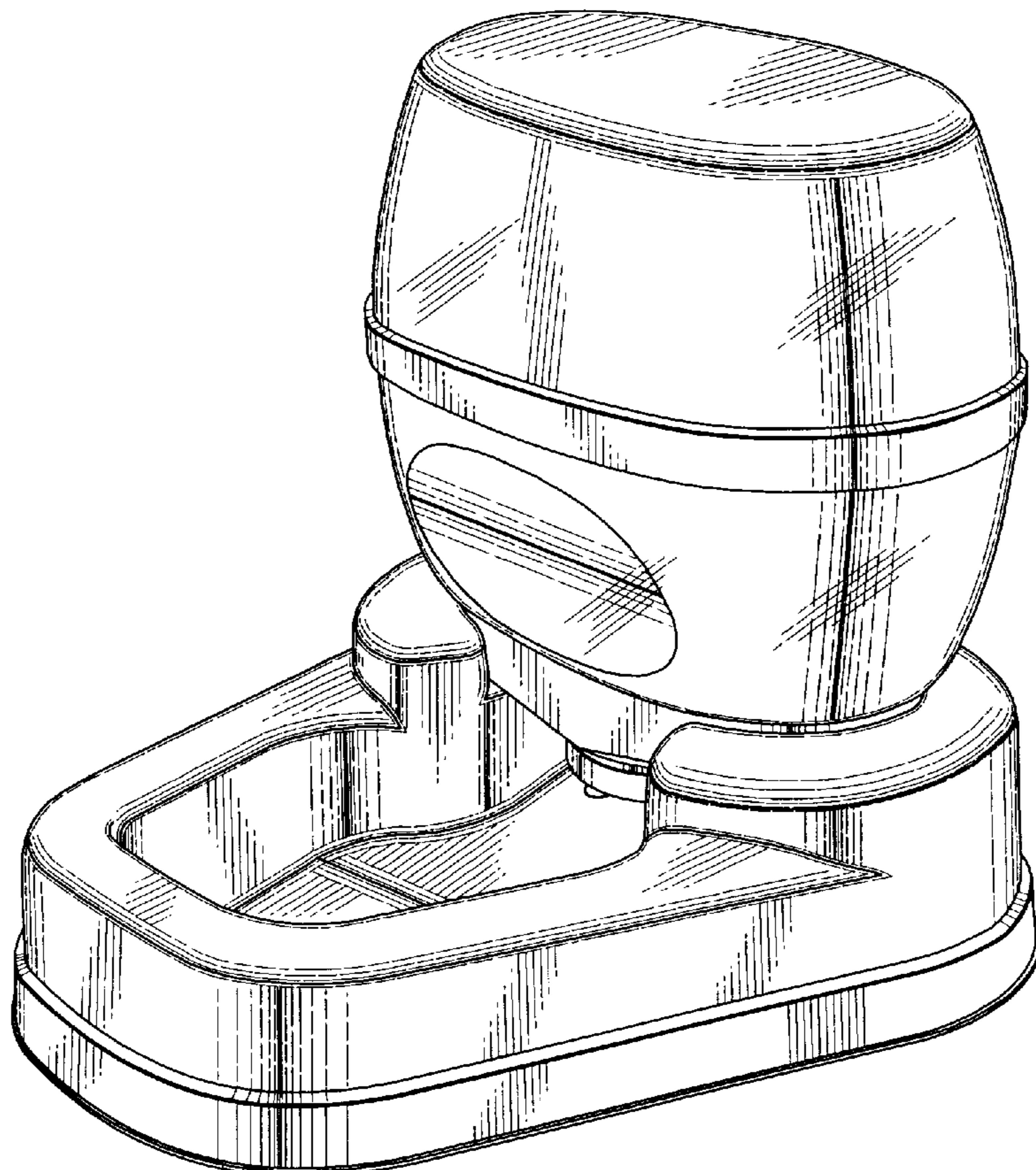
(56) **References Cited**

U.S. PATENT DOCUMENTS

4,721,063	A	*	1/1988	Atchley	119/52.1
D351,689	S	*	10/1994	VanSkiver	D30/121
D371,643	S	*	7/1996	Lillelund et al.	D30/122
5,845,600	A	*	12/1998	Mendes	119/51

* cited by examiner

1 Claim, 4 Drawing Sheets



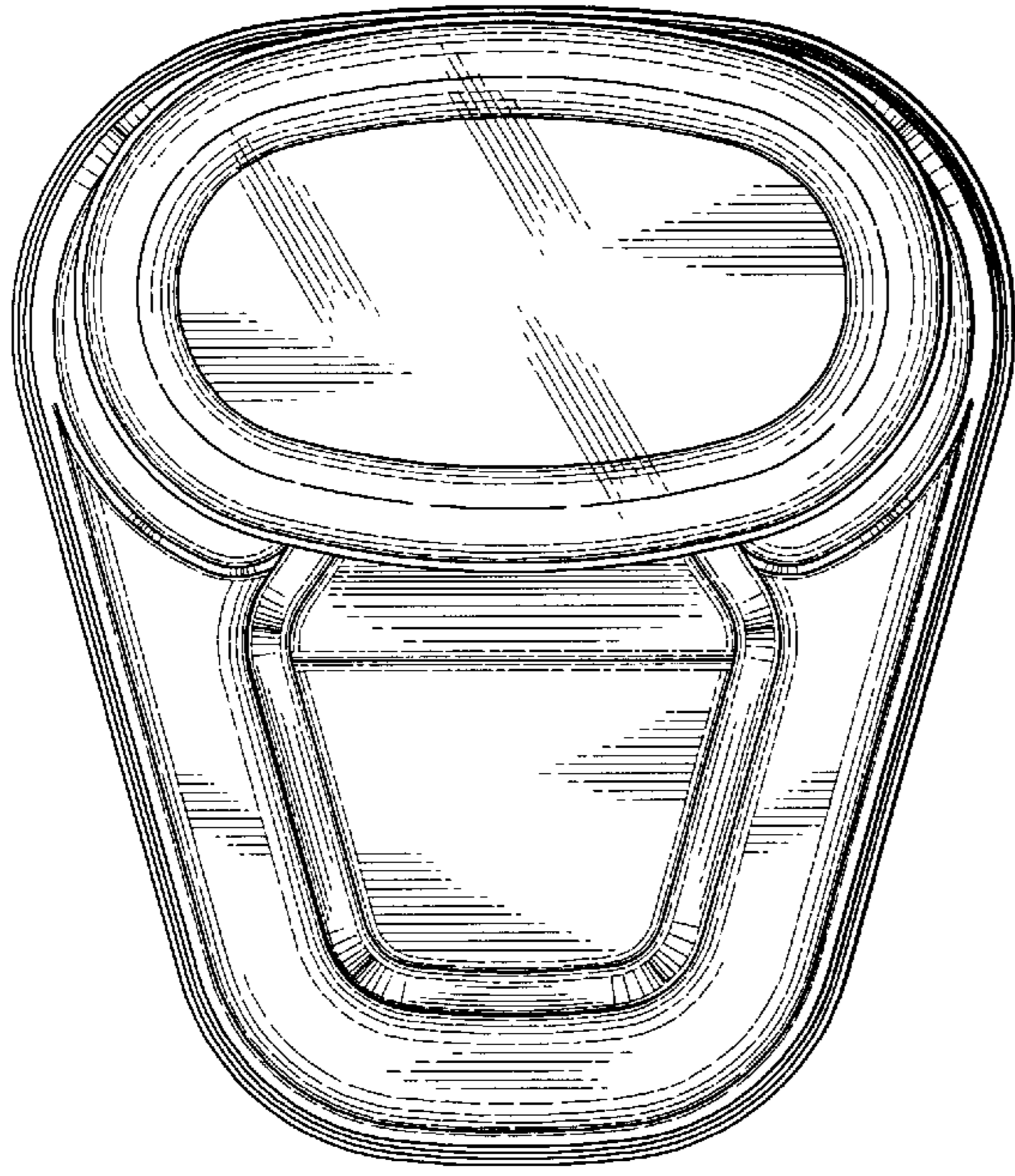


Fig. 3.

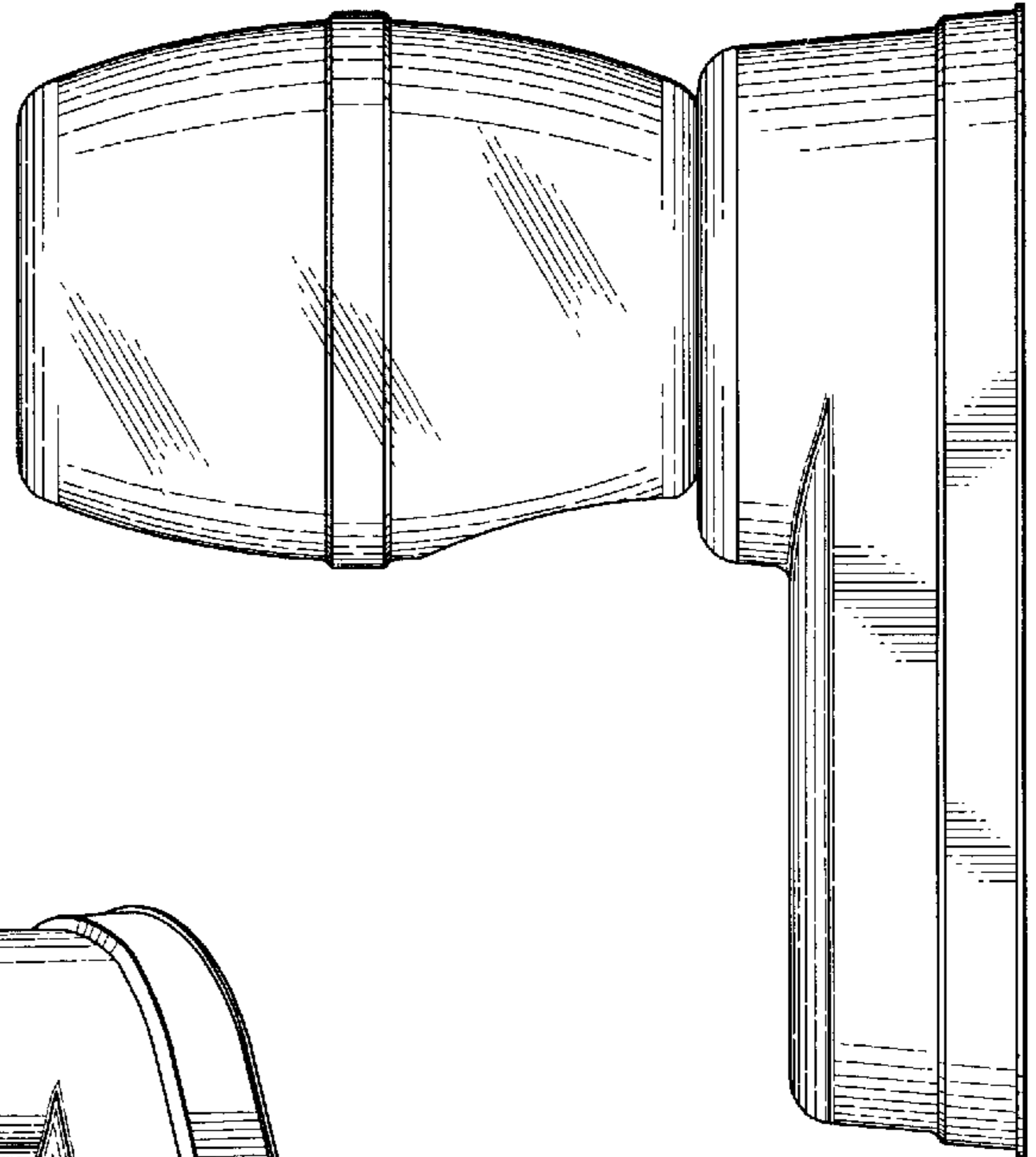


Fig. 2.

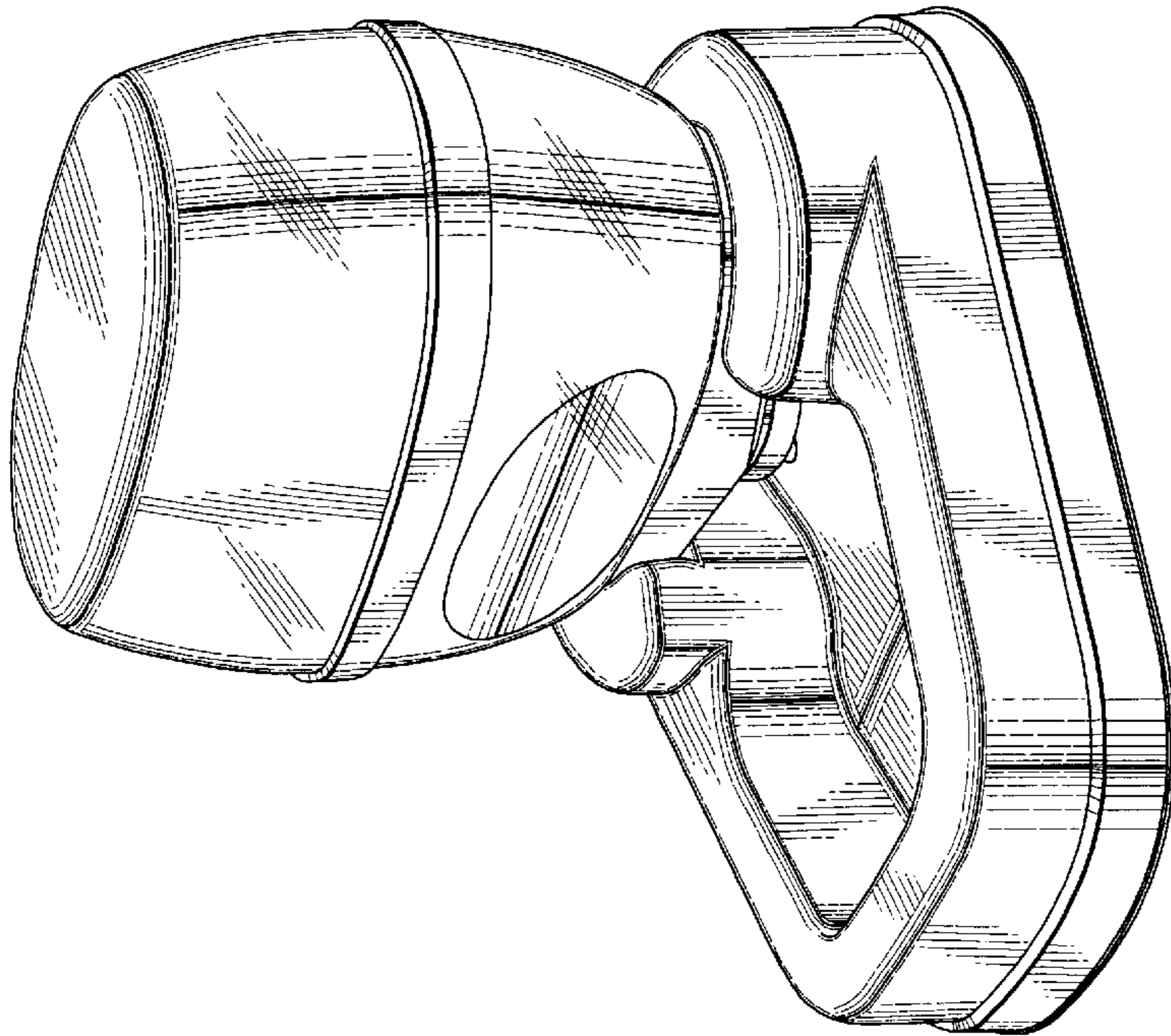


Fig. 1.

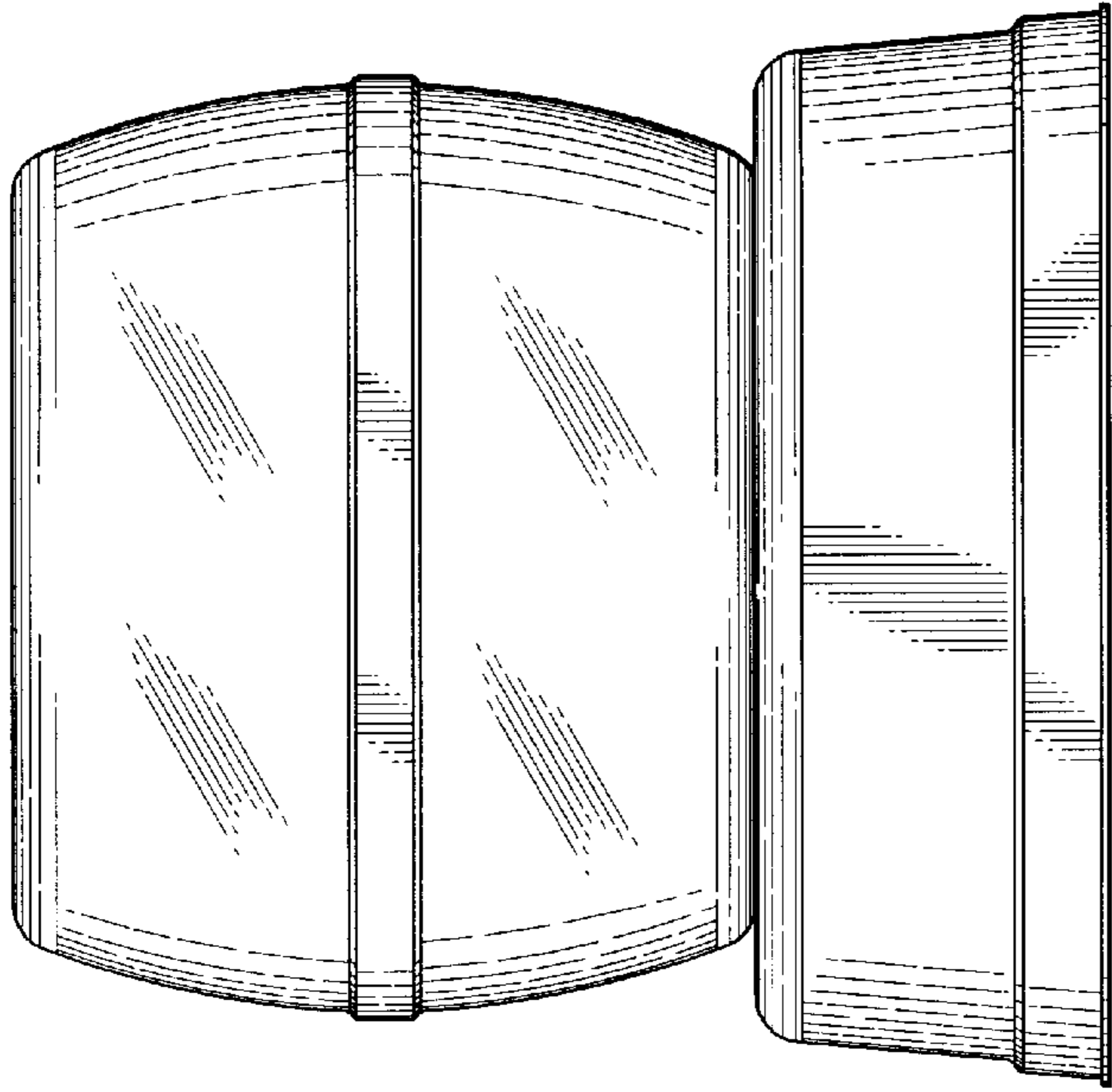


Fig. 5.

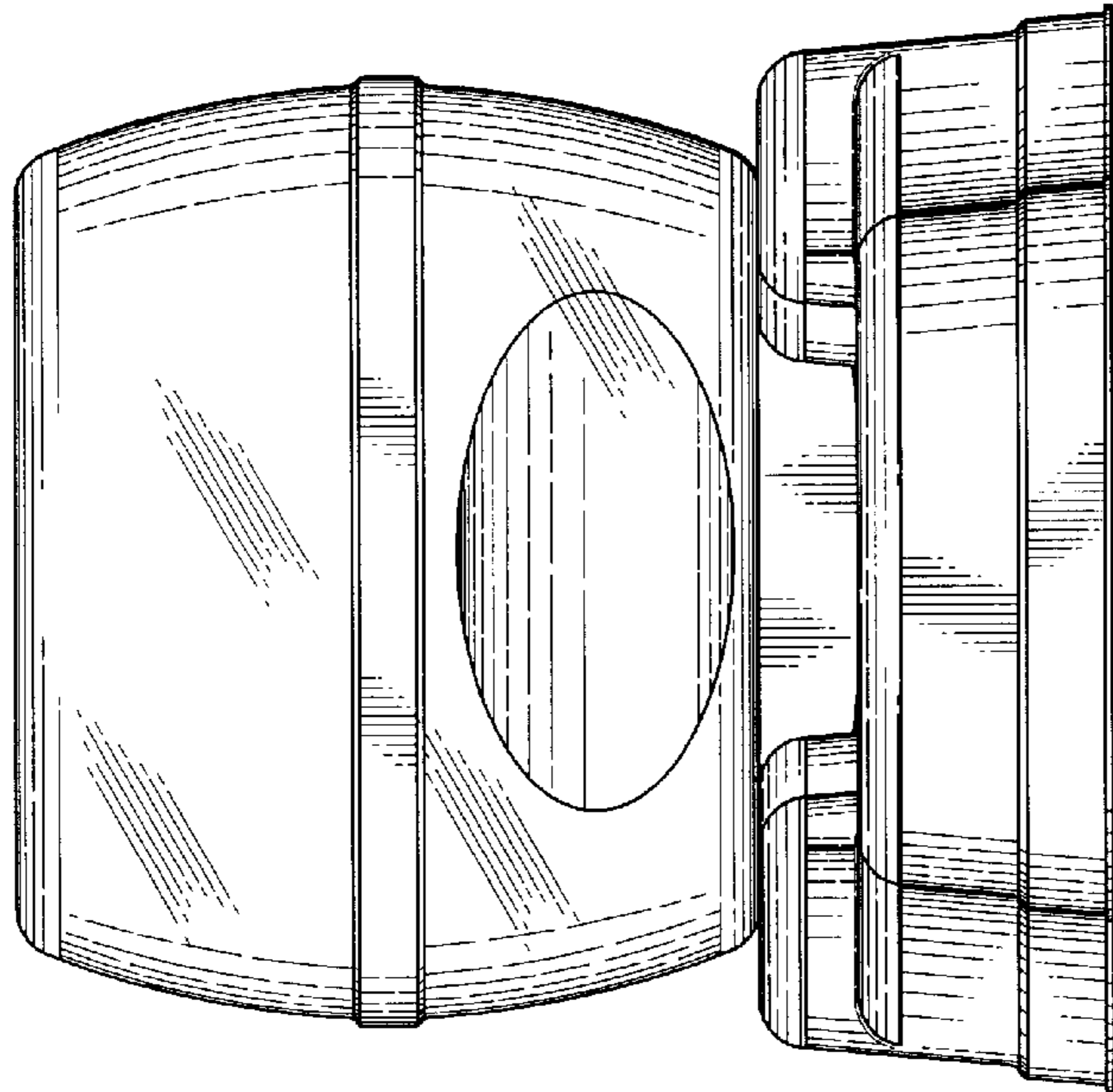


Fig. 4.

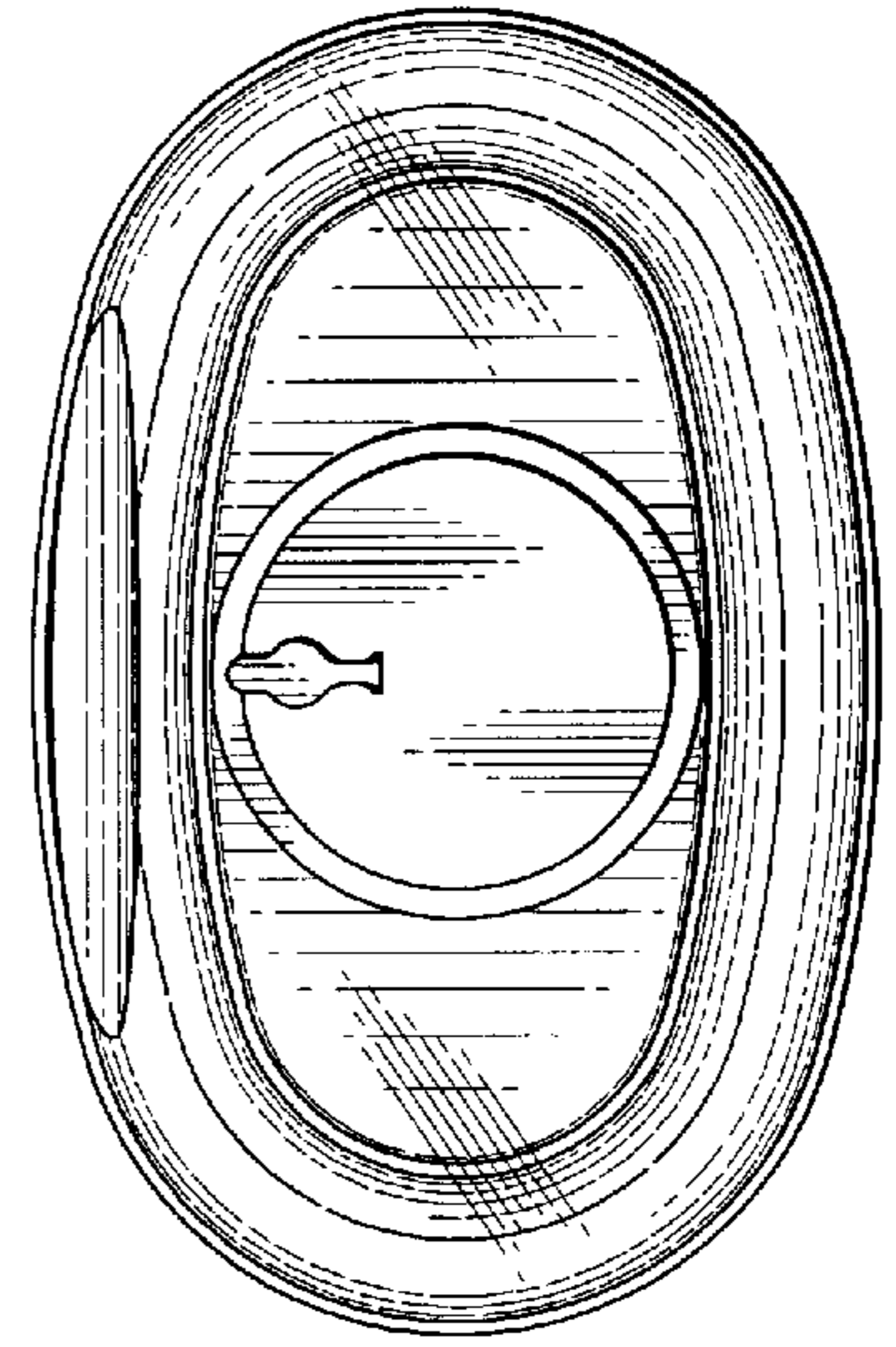


Fig. 6.

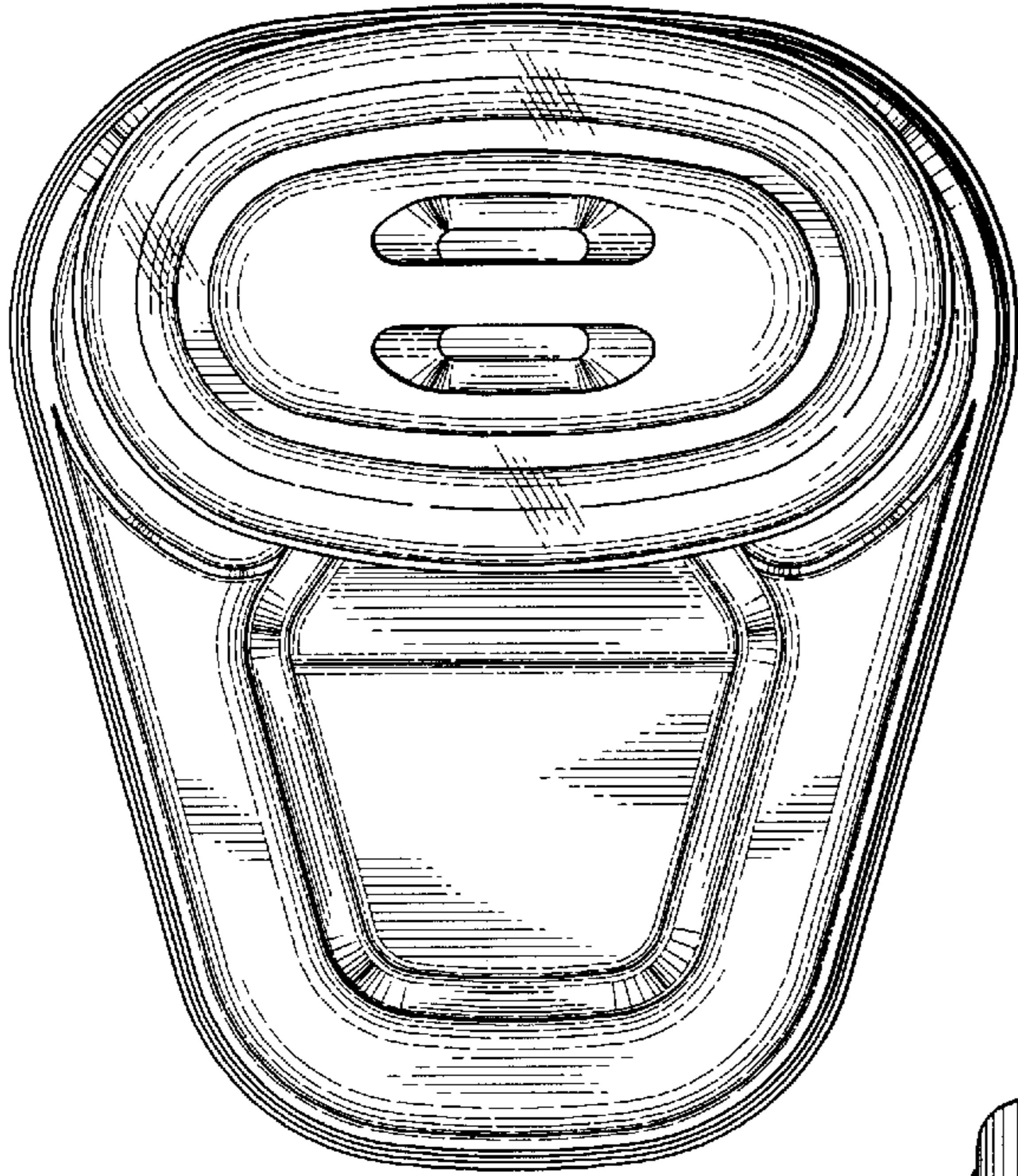


Fig. 9.

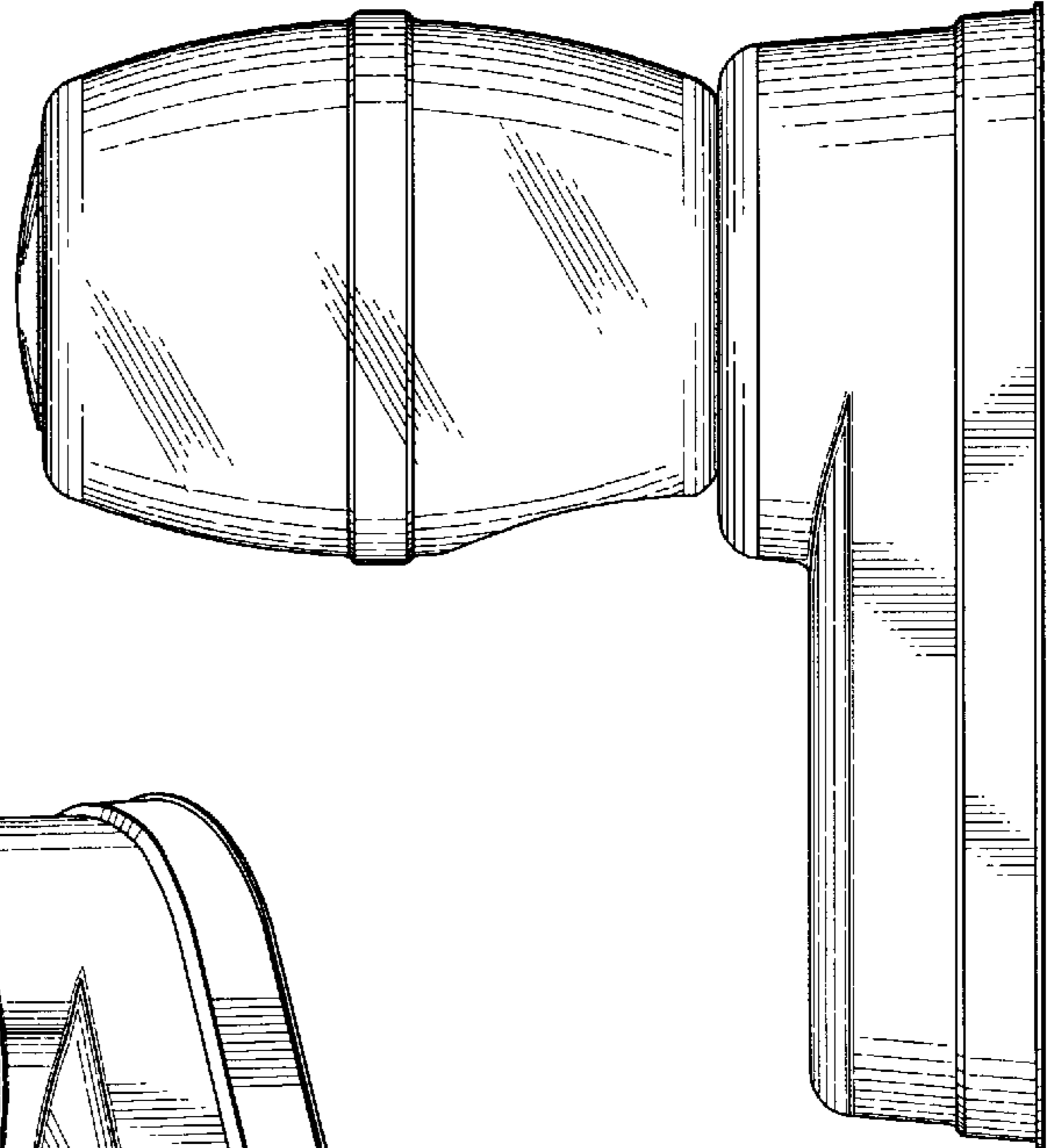


Fig. 8.

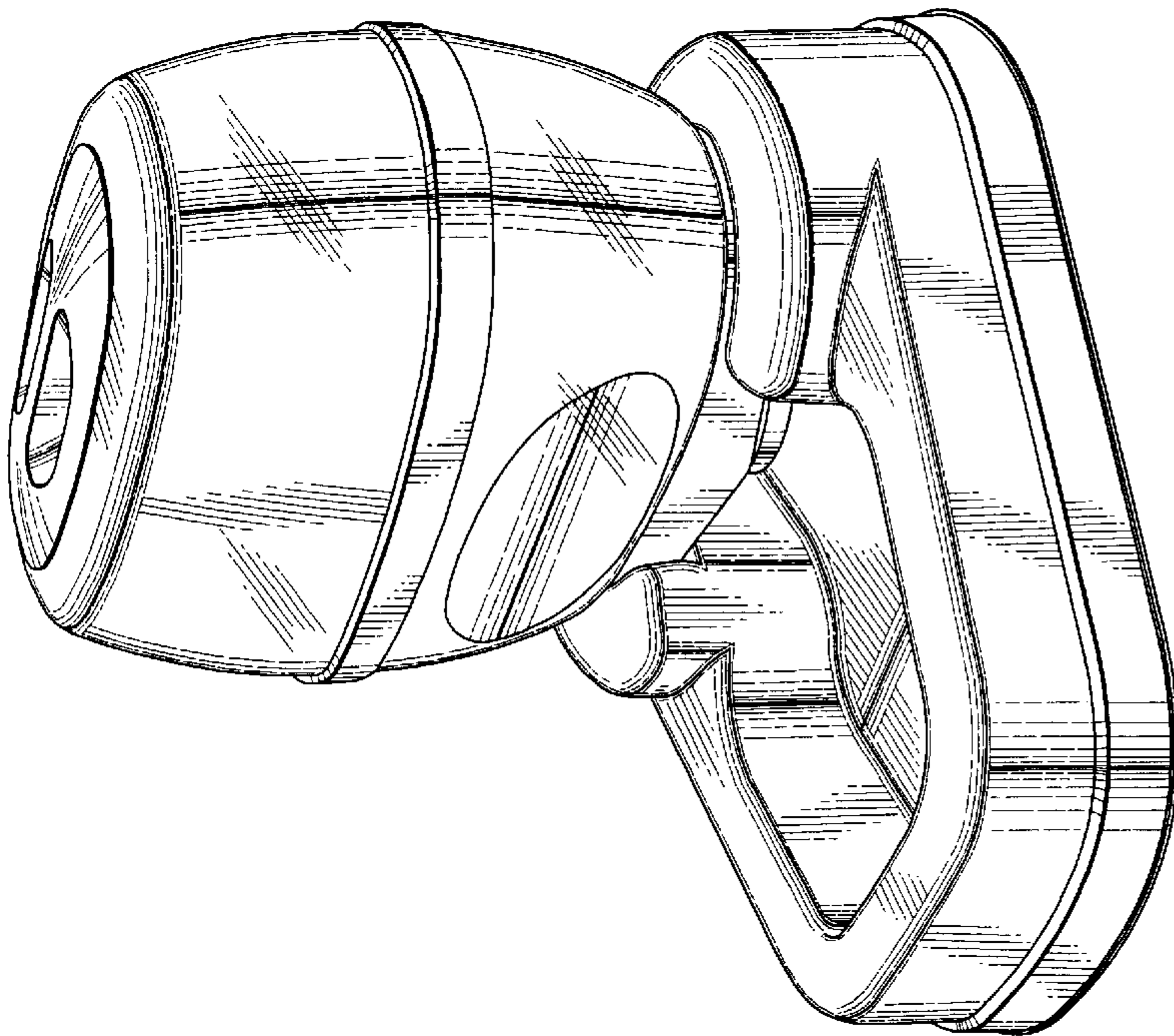


Fig. 7.

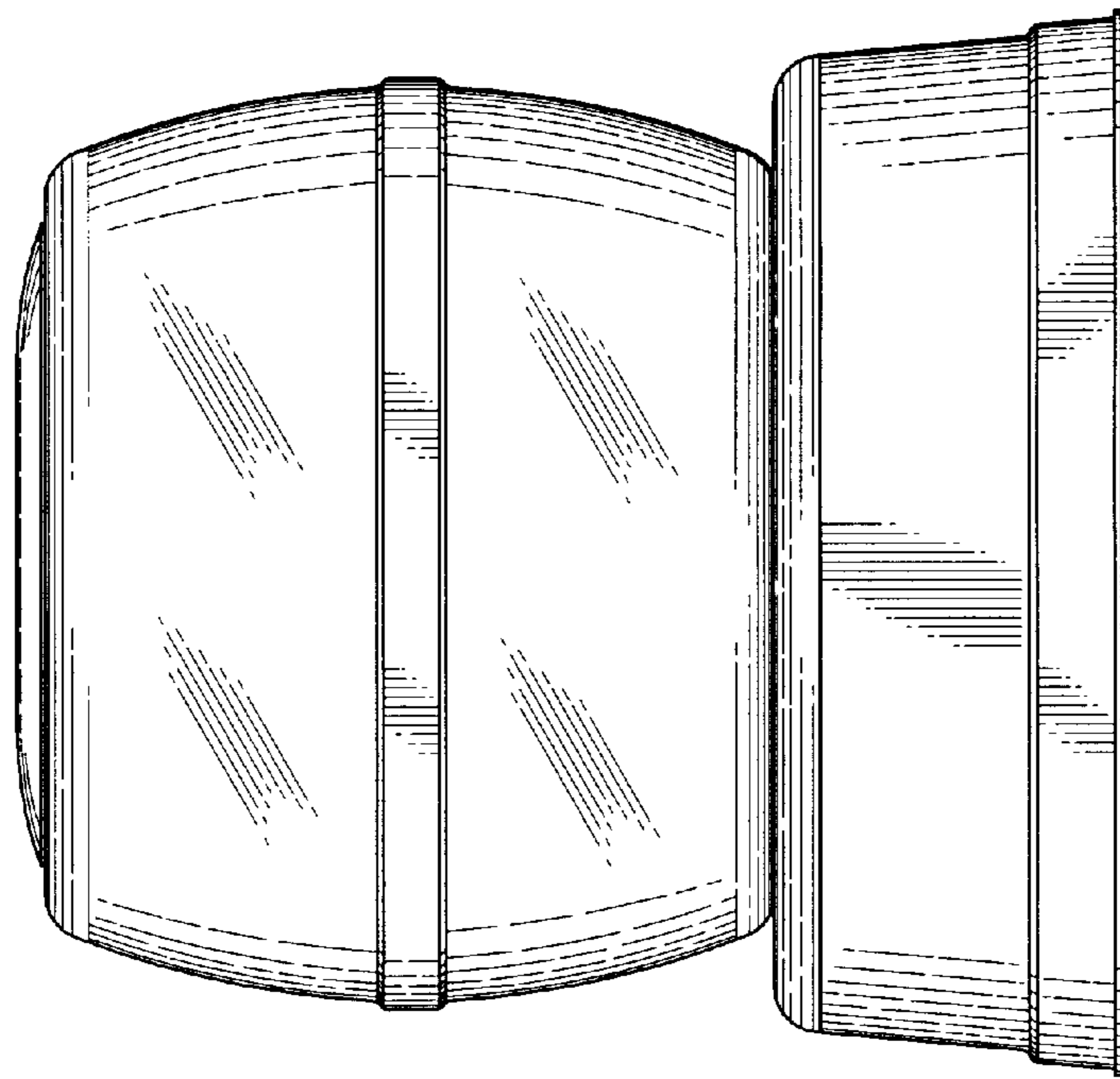


Fig. 11.

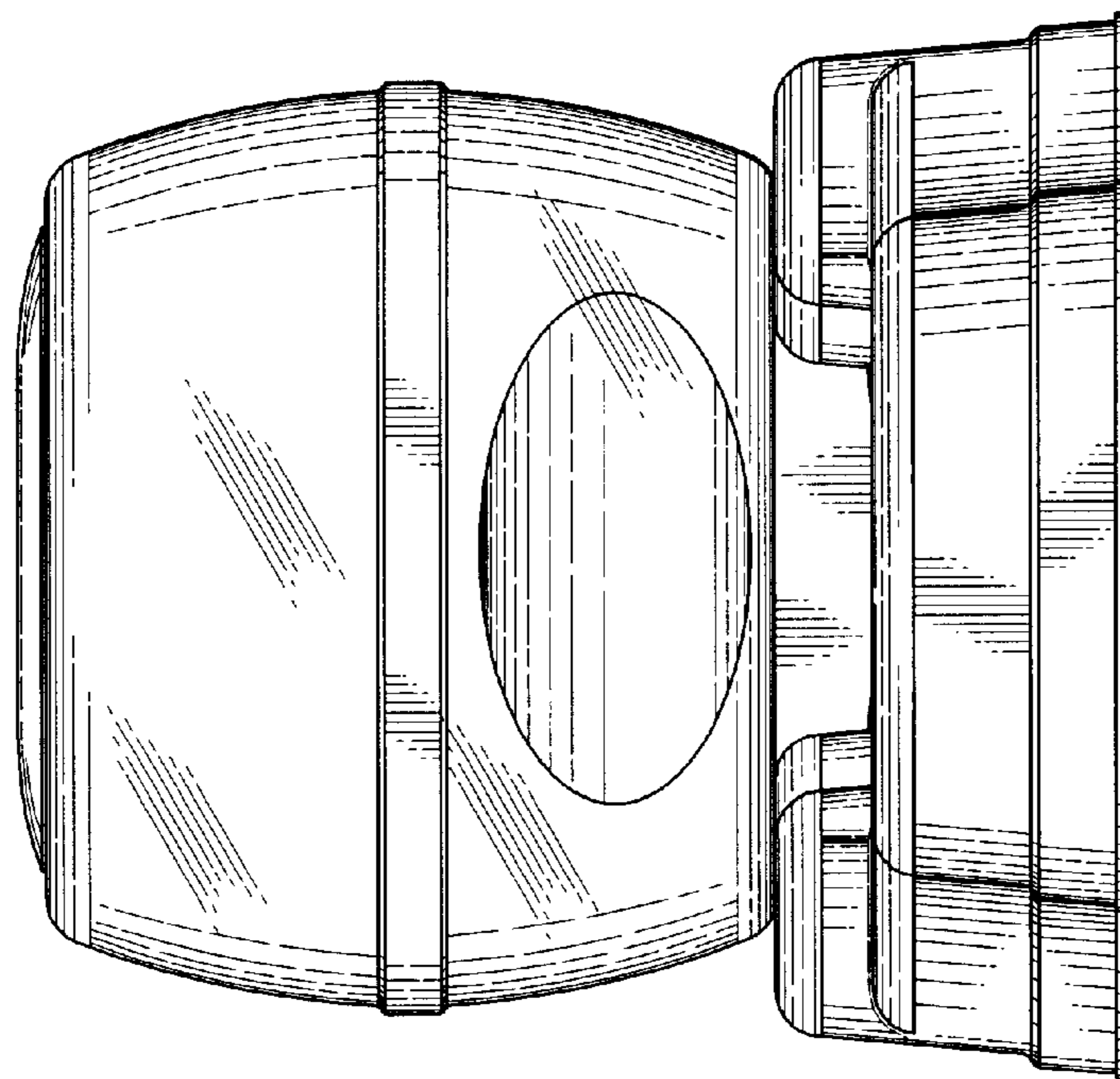


Fig. 10.