



US00D455520S

(12) **United States Design Patent**  
**Wong**

(10) **Patent No.:** **US D455,520 S**

(45) **Date of Patent:** **\*\* Apr. 9, 2002**

(54) **PIEZOELECTRIC LIGHTER**

D437,085 S \* 1/2001 Lee ..... D27/141  
D446,603 S \* 8/2001 Chen ..... D27/157

(75) Inventor: **Sam M. K. Wong**, S. El Monte, CA  
(US)

\* cited by examiner

(73) Assignee: **Techno Accessories, Inc.**, S. El Monte,  
CA (US)

*Primary Examiner*—Jennifer Rivard

(74) *Attorney, Agent, or Firm*—Raymond Y. Chan; David  
and Raymond Patent Group

(\*\*) Term: **14 Years**

(57) **CLAIM**

(21) Appl. No.: **29/146,890**

The ornamental design for a piezoelectric lighter, as shown.

(22) Filed: **Aug. 17, 2001**

**DESCRIPTION**

(51) **LOC (7) Cl.** ..... **27-05**

(52) **U.S. Cl.** ..... **D27/157**

(58) **Field of Search** ..... 431/144, 153,  
431/254, 255, 267, 273, 277; D27/141,  
148, 153, 154, 155, 157, 160

FIG. 1 is a perspective view showing my new design.

FIG. 2 is a front view thereof.

FIG. 3 is a rear view thereof.

FIG. 4 is a right end view thereof.

FIG. 5 is a left end view thereof.

FIG. 6 is a top view thereof; and,

FIG. 7 is a bottom view thereof.

(56) **References Cited**

**U.S. PATENT DOCUMENTS**

D428,194 S \* 7/2000 Chen ..... D27/141

**1 Claim, 7 Drawing Sheets**



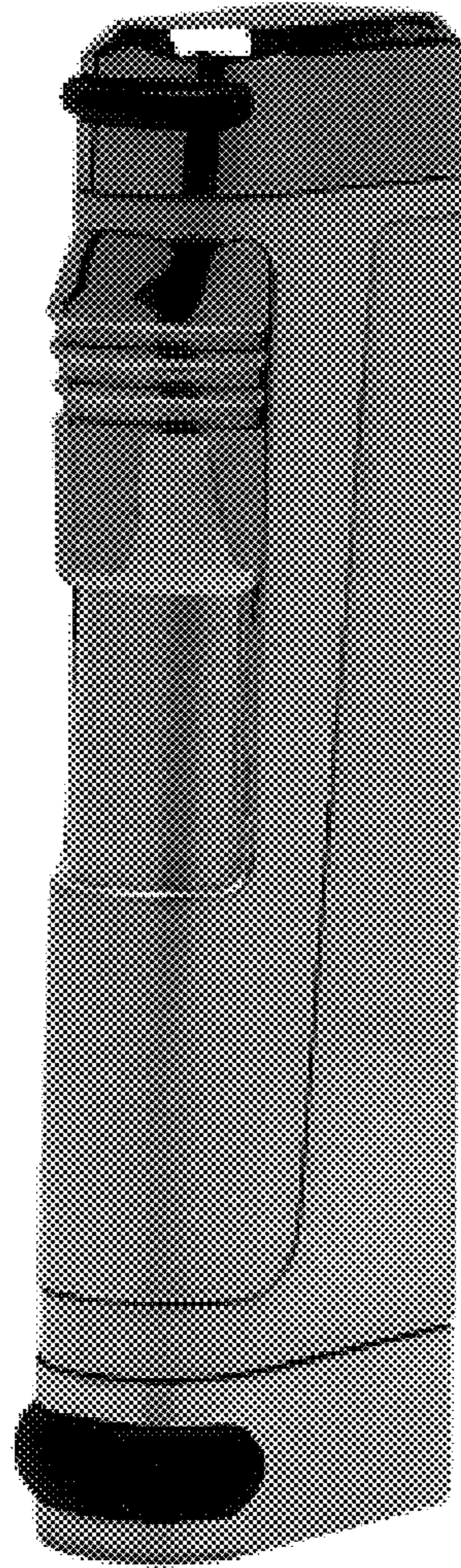


FIG. 1



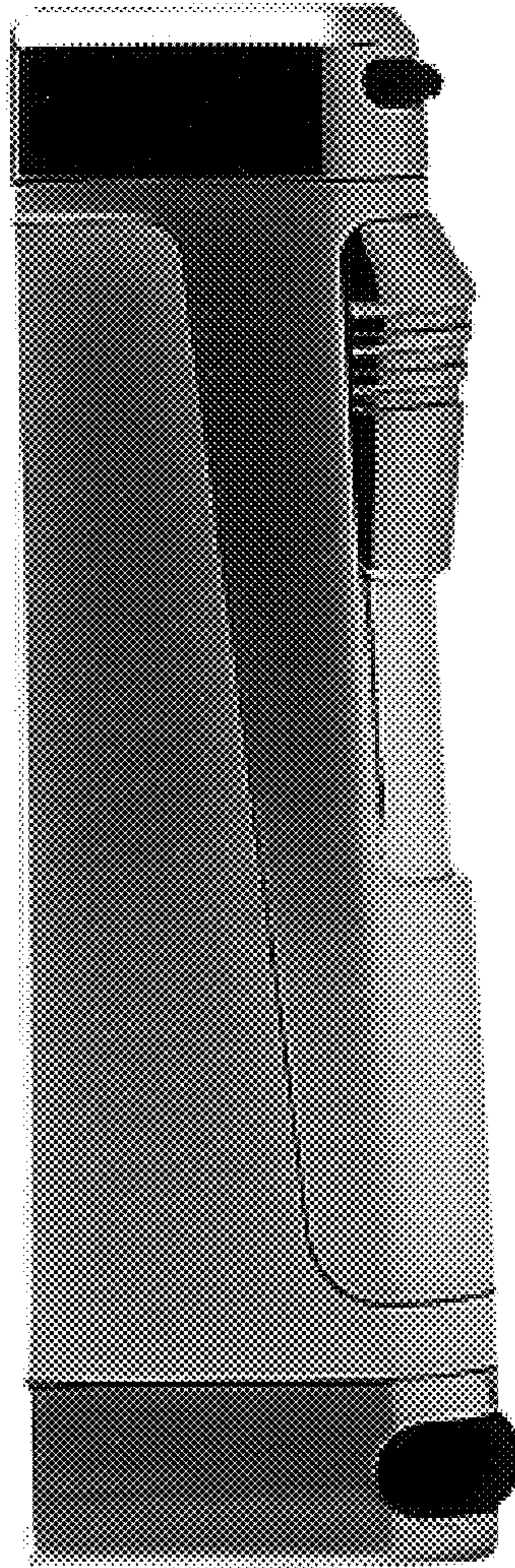


FIG. 2

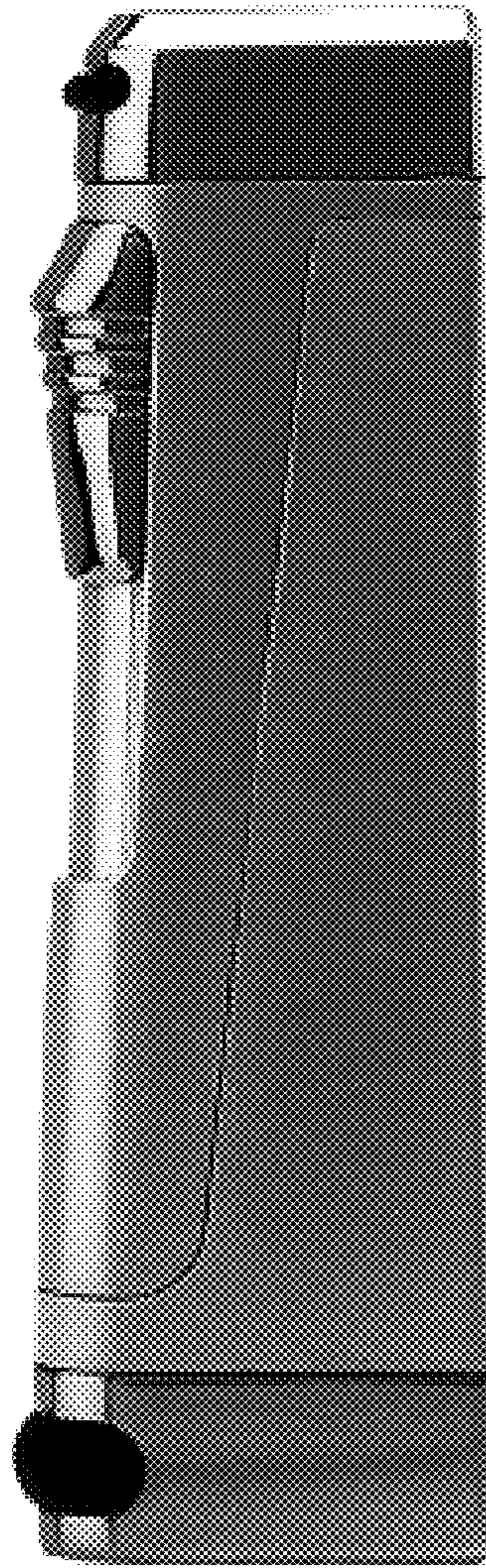


FIG. 3



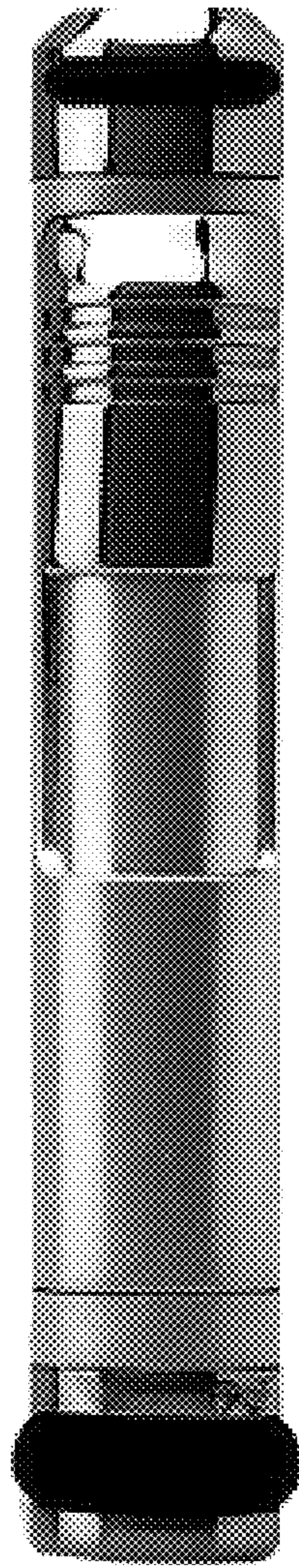


FIG. 4

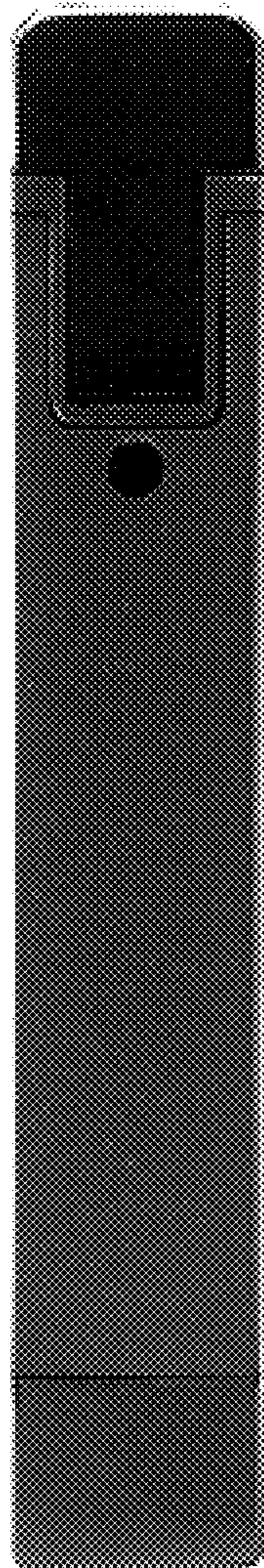


FIG. 5

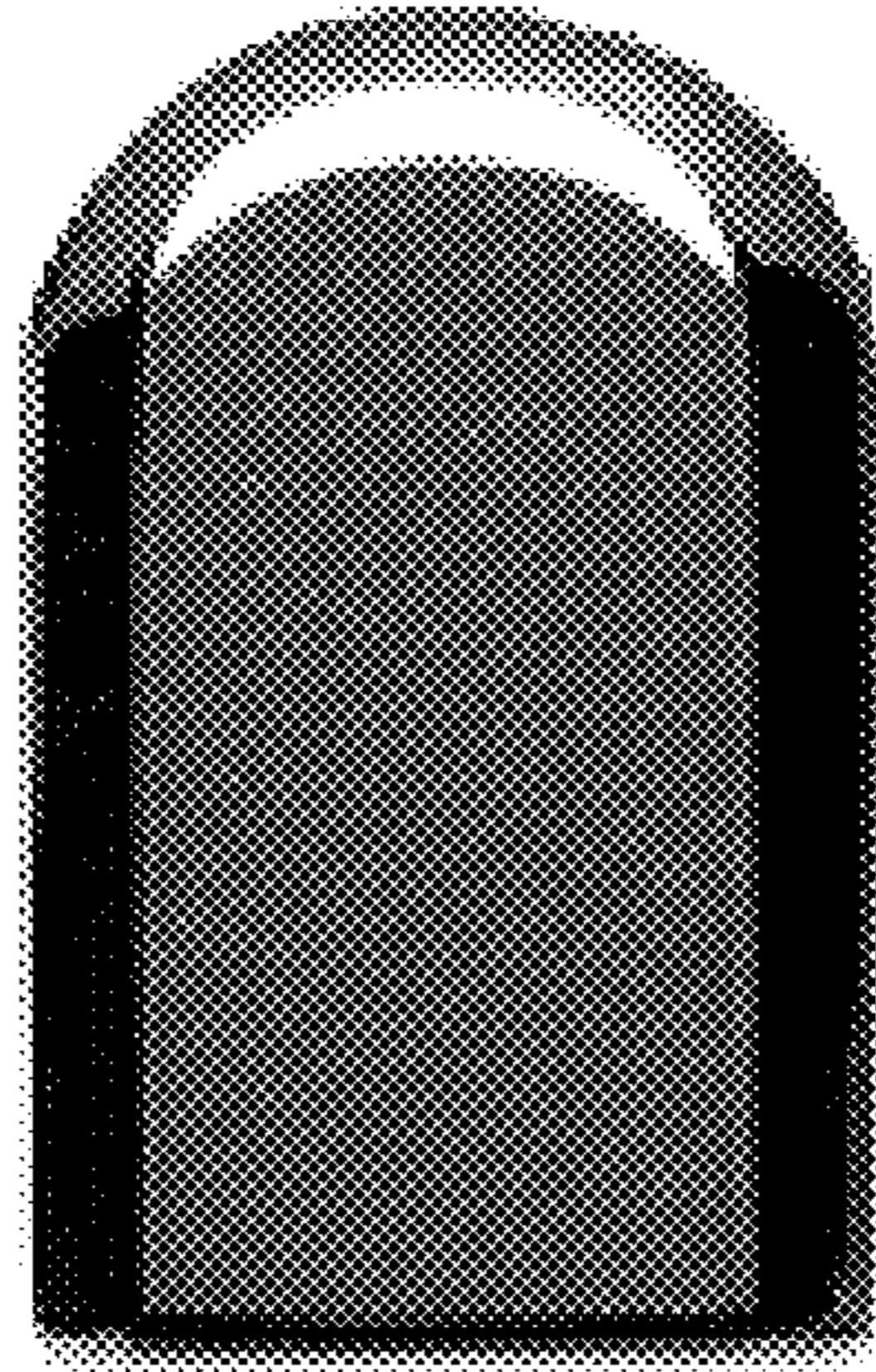


FIG. 6

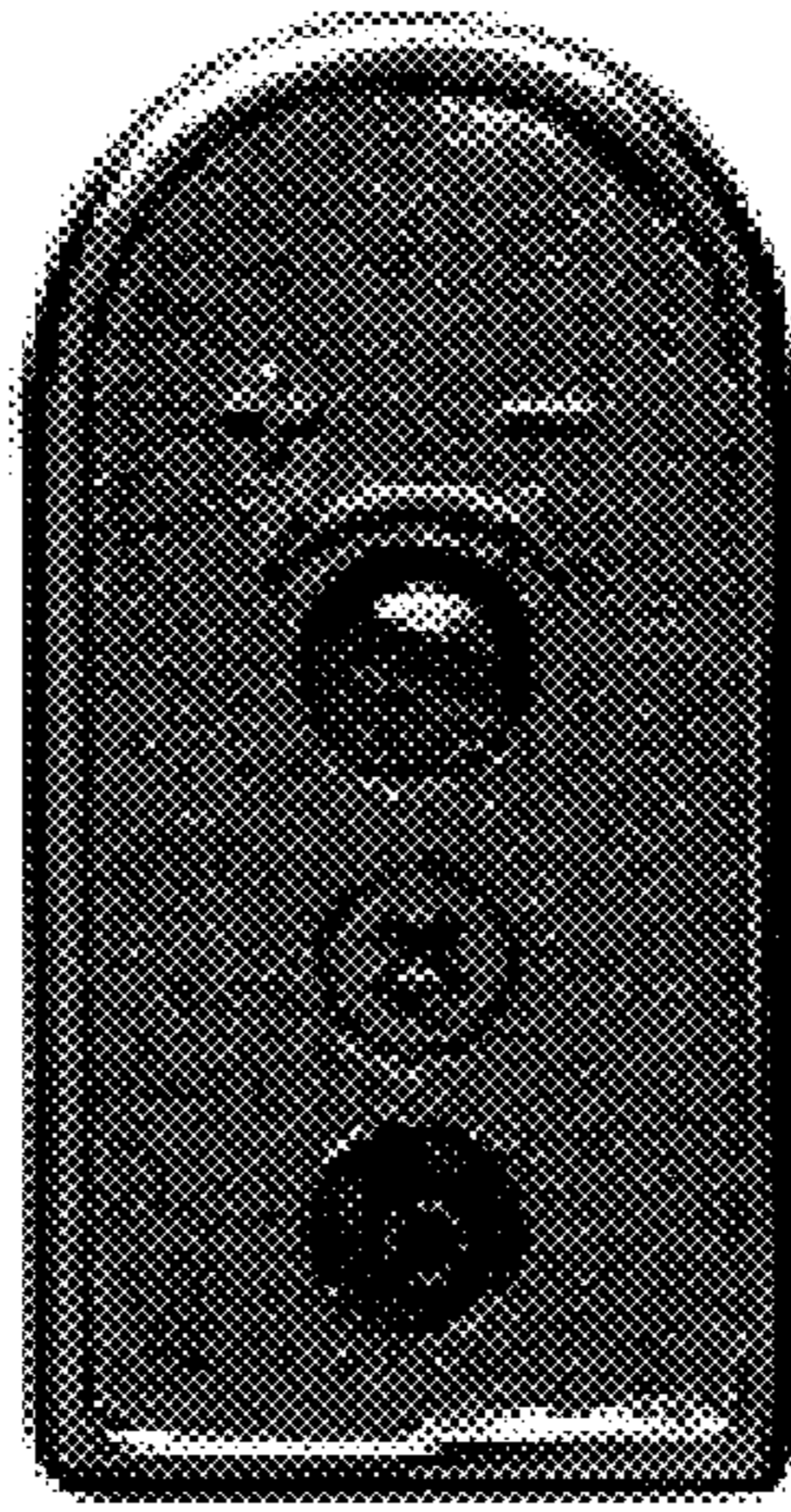


FIG. 7