



US00D455512S

(12) **United States Design Patent**  
**MacKool**

(10) **Patent No.:** **US D455,512 S**

(45) **Date of Patent:** **\*\* Apr. 9, 2002**

(54) **FLASHLIGHT AND SWITCH ASSEMBLY**

(76) **Inventor:** **Michael R. MacKool**, 12506 Pleasant View Dr., Little Rock, AR (US) 72212

(\*\*) **Term:** **14 Years**

(21) **Appl. No.:** **29/143,167**

(22) **Filed:** **Jun. 8, 2001**

(51) **LOC (7) Cl.** ..... **26-02**

(52) **U.S. Cl.** ..... **D26/49**

(58) **Field of Search** ..... D26/37-50; D13/169;  
362/157, 162, 171, 178, 187, 189, 190,  
191, 194, 195, 196, 197, 198, 199, 200-295

(56) **References Cited**

**U.S. PATENT DOCUMENTS**

D224,016 S \* 6/1972 Nakata ..... D13/169

D268,836 S \* 5/1983 Ohashi ..... D13/169

D418,933 S \* 1/2000 Yang ..... D26/49

D421,503 S \* 3/2000 Parsons ..... D26/49

D446,328 S \* 8/2000 Israel et al. .... D26/49

\* cited by examiner

*Primary Examiner*—Susan J. Lucas

(57) **CLAIM**

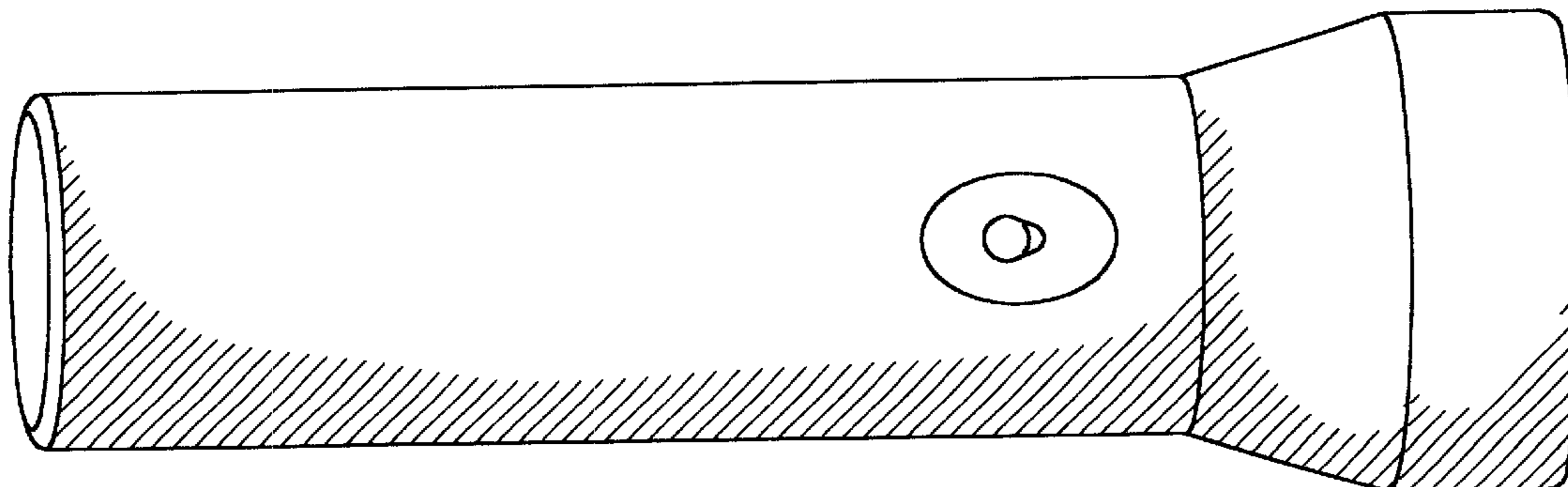
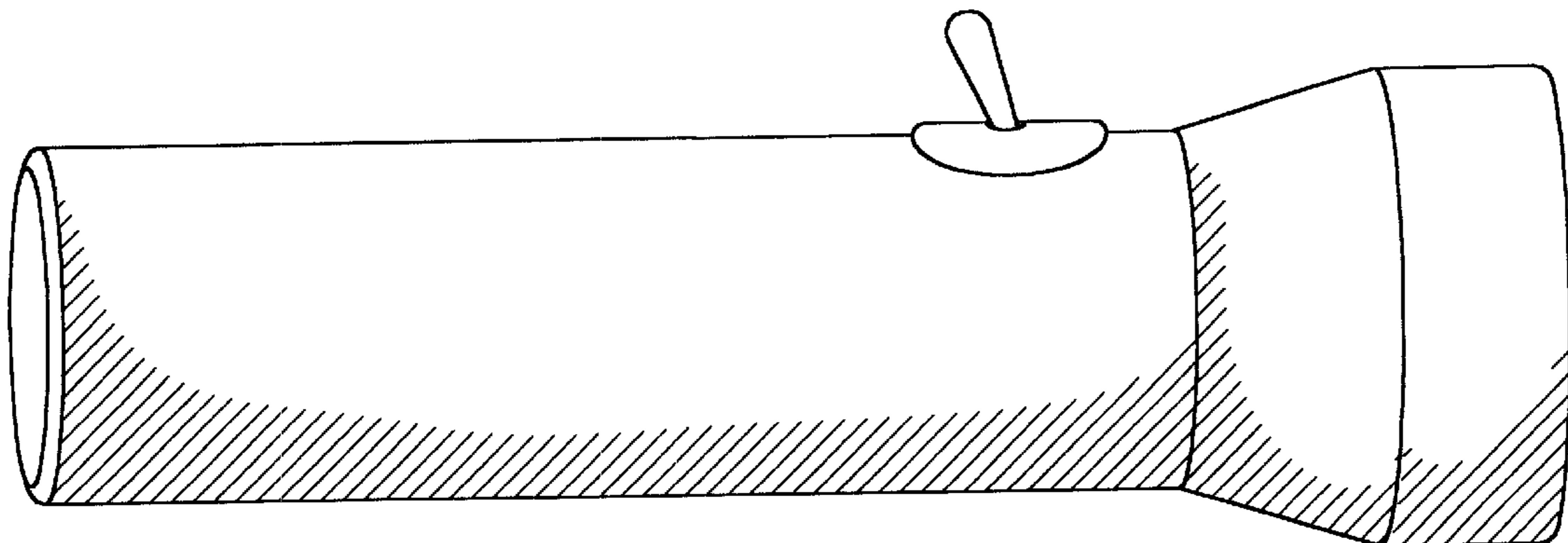
The ornamental design for a flashlight and switch assembly, as shown.

**DESCRIPTION**

FIG. 1 is a side perspective view of my new flashlight and switch assembly; and,

FIG. 2 is a top view thereof.

**1 Claim, 1 Drawing Sheet**



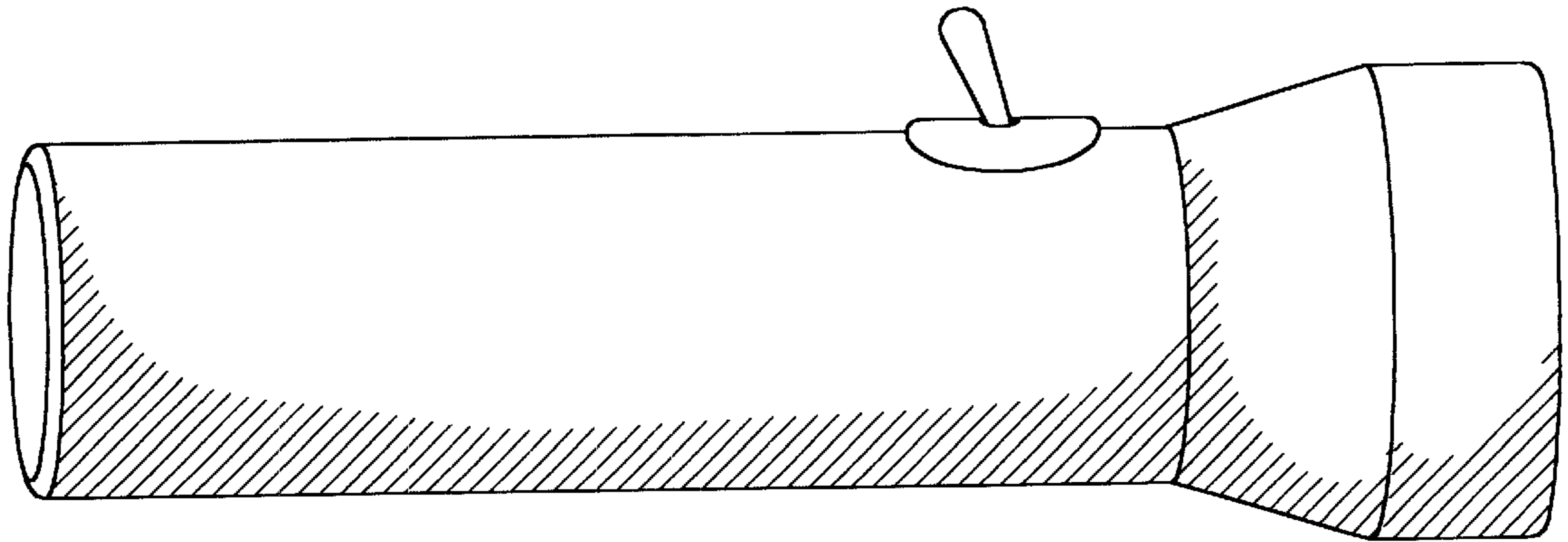


FIG. 1

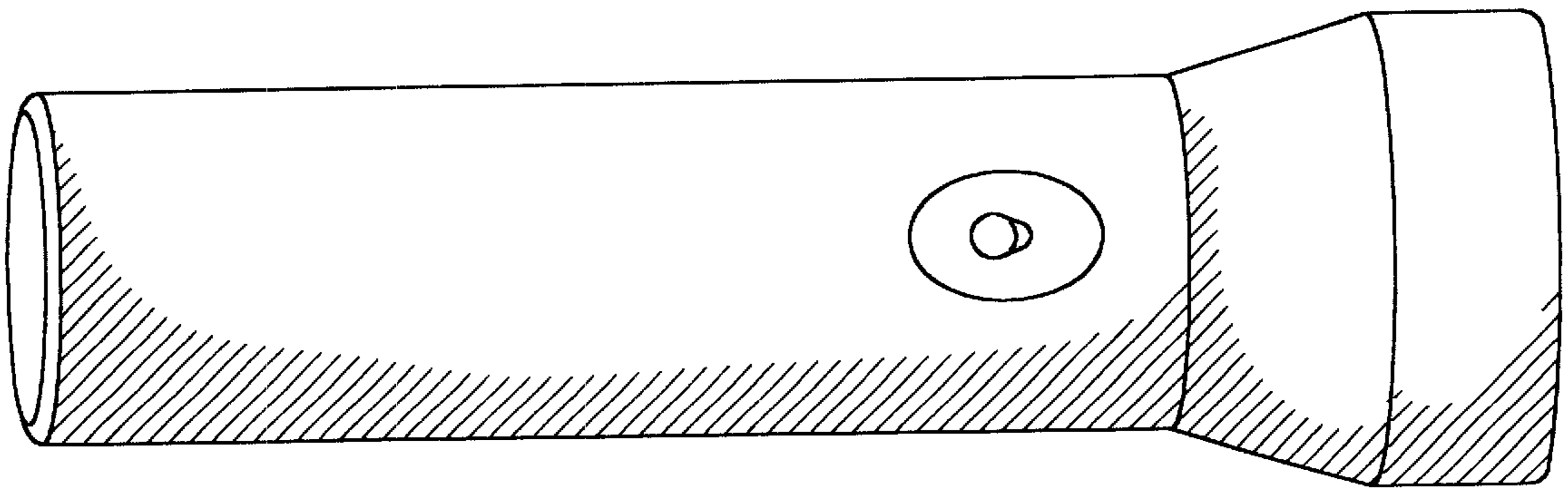


FIG. 2