



US00D455510S

(12) **United States Design Patent**
Galli

(10) **Patent No.:** **US D455,510 S**

(45) **Date of Patent:** **** Apr. 9, 2002**

(54) **POLYGONAL FLASHLIGHT HEAD**

(75) Inventor: **Robert D. Galli**, Las Vegas, NV (US)

(73) Assignee: **Emissive Energy Corporation**,
Warwick, RI (US)

(**) Term: **14 Years**

(21) Appl. No.: **29/134,712**

(22) Filed: **Dec. 28, 2000**

(51) **LOC (7) Cl.** **26-02**

(52) **U.S. Cl.** **D26/37**

(58) **Field of Search** D26/37-50; 362/157,
362/158, 171, 173, 183-208, 307, 308,
309

(56) **References Cited**

U.S. PATENT DOCUMENTS

D421,657 S	*	3/2000	Siebert	D26/37
D428,504 S	*	7/2000	Saunders	D26/49
D434,164 S	*	11/2000	Galli	D26/49

* cited by examiner

Primary Examiner—Marcus A. Jackson

(74) *Attorney, Agent, or Firm*—Barlow, Josephs & Holmes

(57) **CLAIM**

The ornamental design for a polygonal flashlight head, as shown and described.

DESCRIPTION

FIG. 1 is a perspective view showing my new design for a flashlight head;

FIG. 2 is an enlarged perspective view thereof;

FIG. 3 is a side view thereof, all sides thereof being identical;

FIG. 4 is a front view thereof;

FIG. 5 is a rear view thereof;

FIG. 6 is a perspective view of a second embodiment of the new design for a flashlight head;

FIG. 7 is an enlarged perspective view thereof;

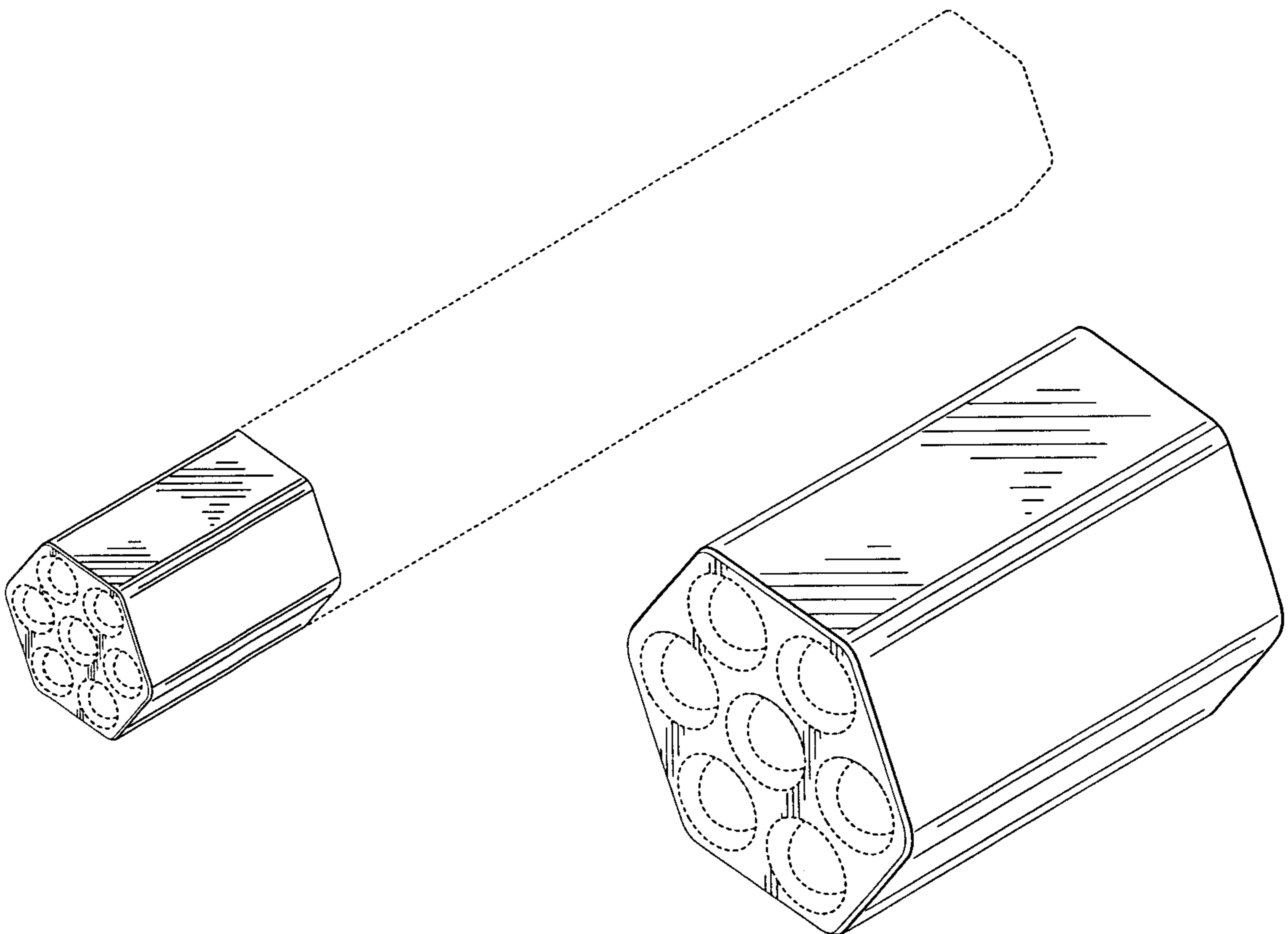
FIG. 8 is a side view thereof, all sides thereof being identical;

FIG. 9 is a front view thereof; and,

FIG. 10 is a rear view thereof;

The broken lines in the drawing figures are for illustrative purposes only and do not form a part of the claimed design.

1 Claim, 4 Drawing Sheets



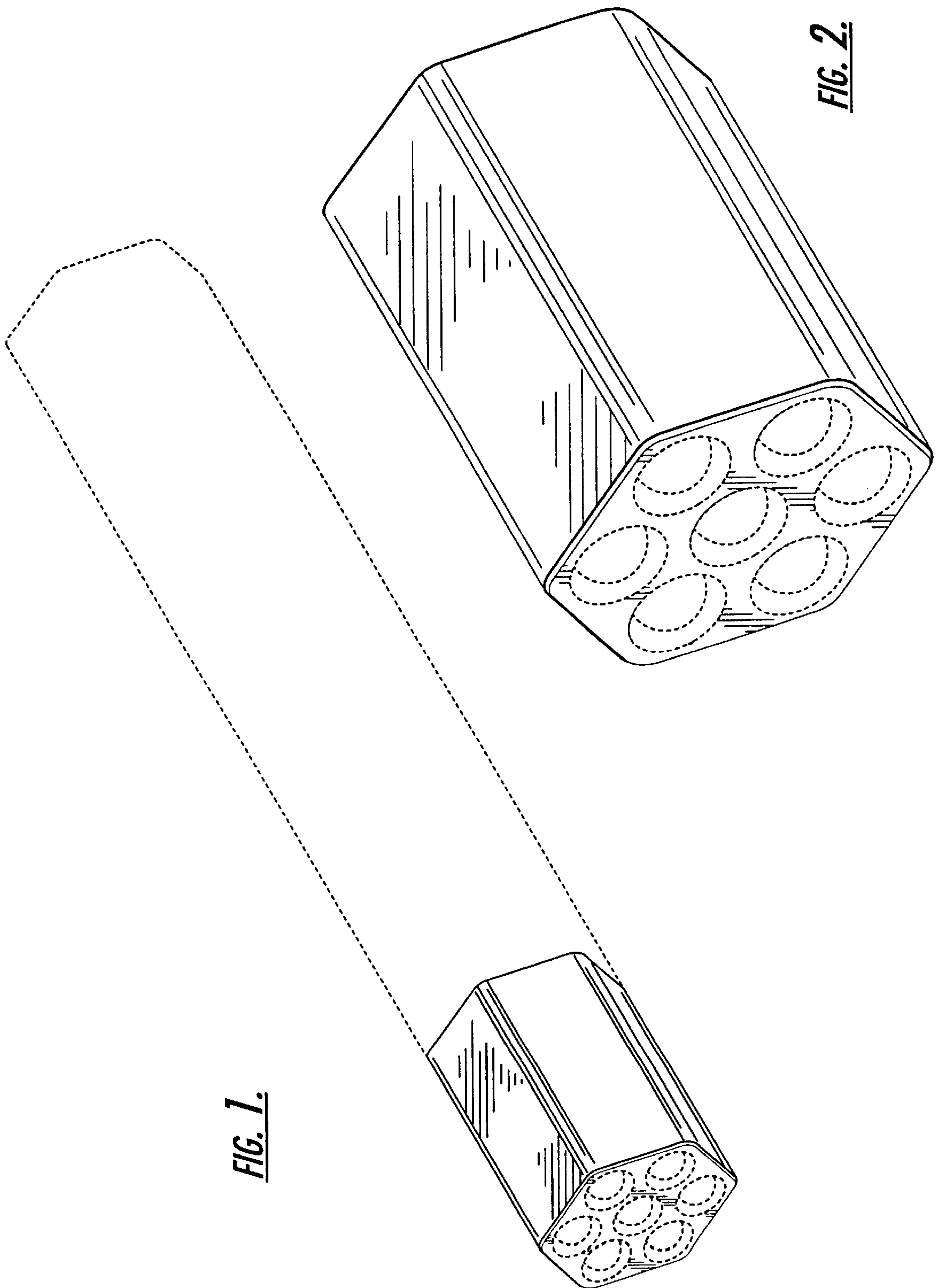


FIG. 1.

FIG. 2.

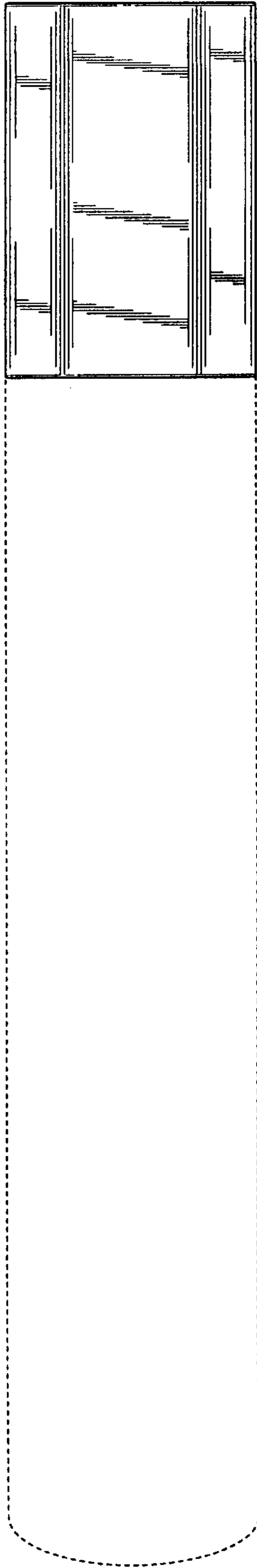


FIG. 3.

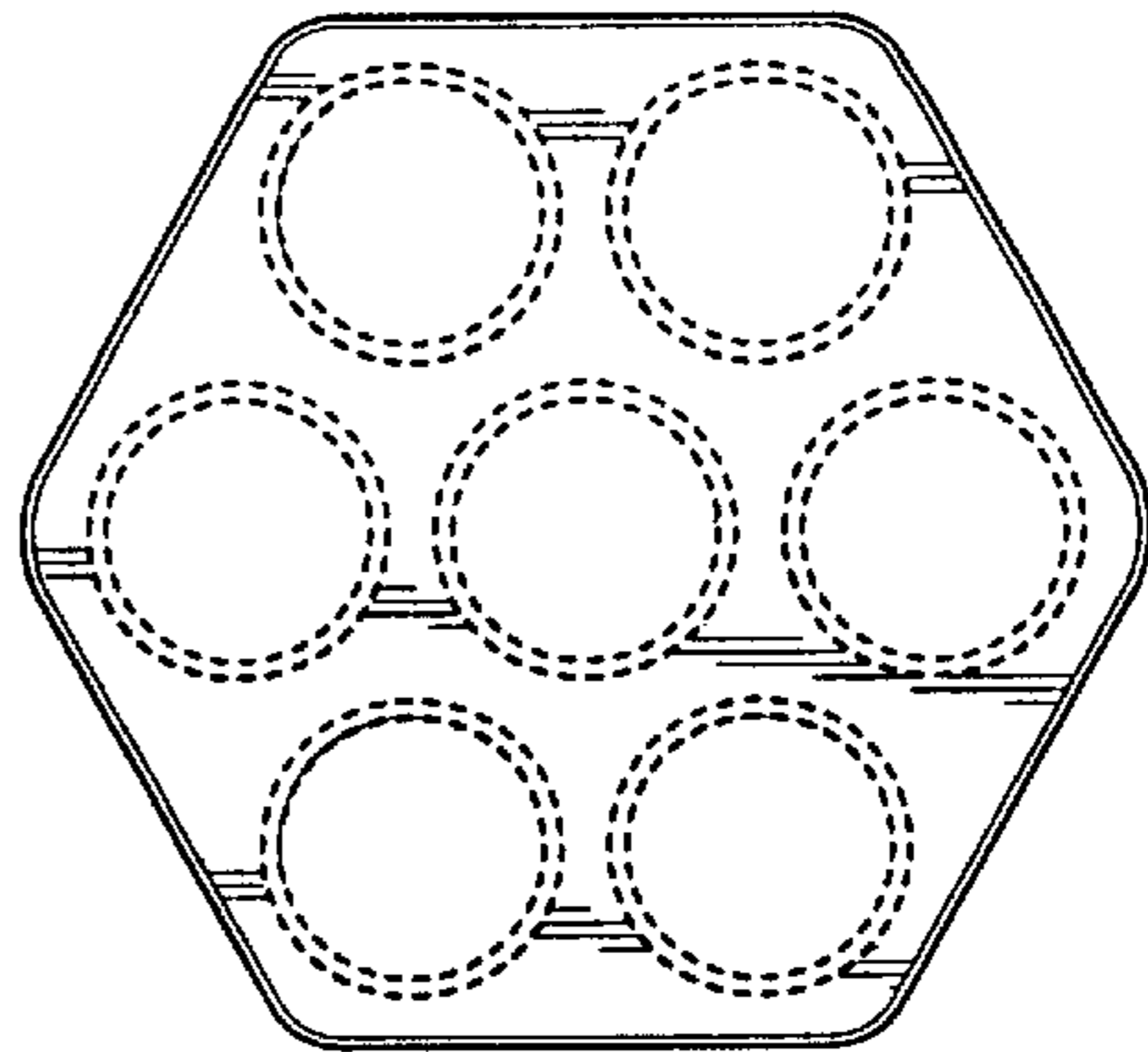


FIG. 4.

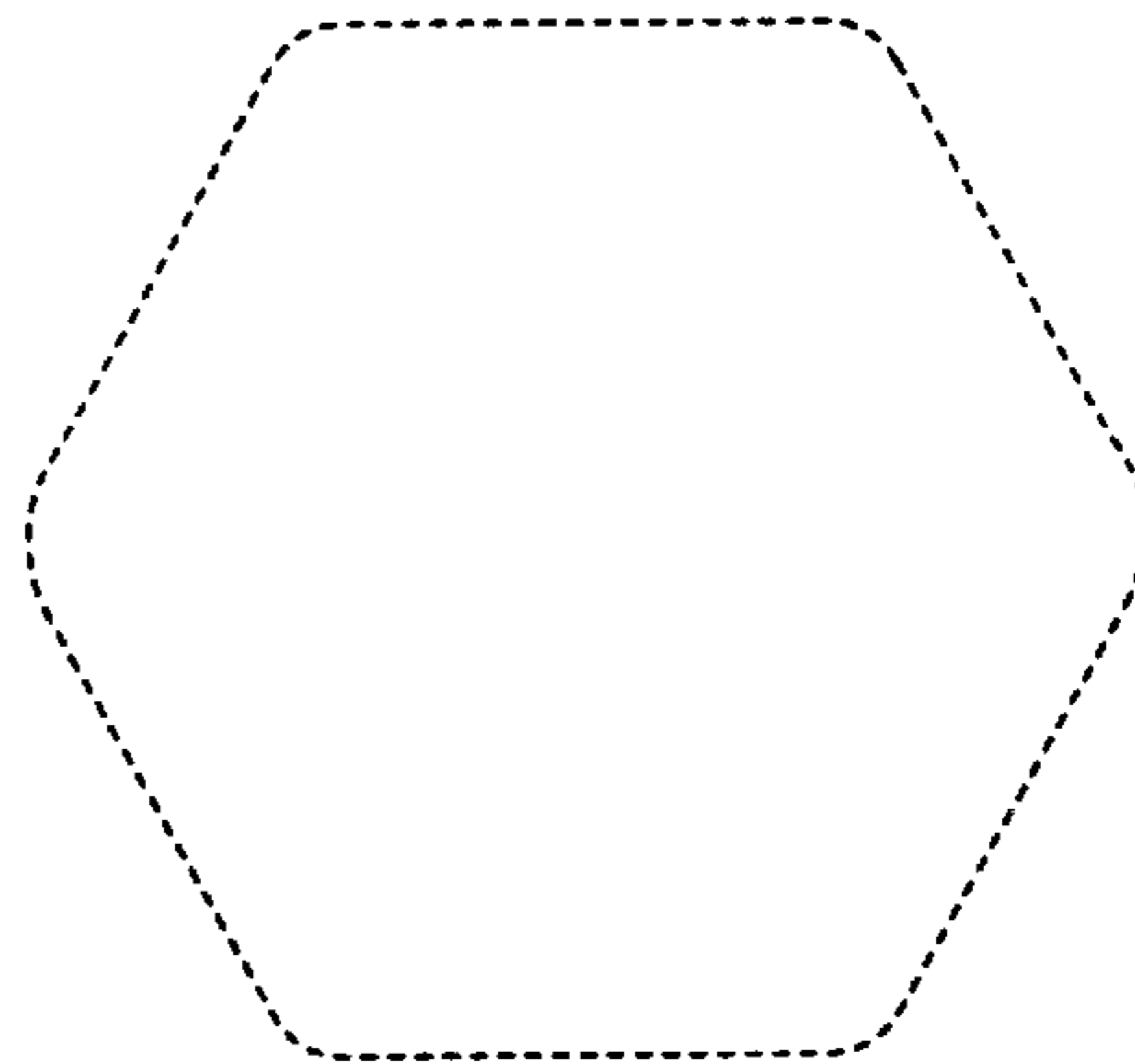


FIG. 5.

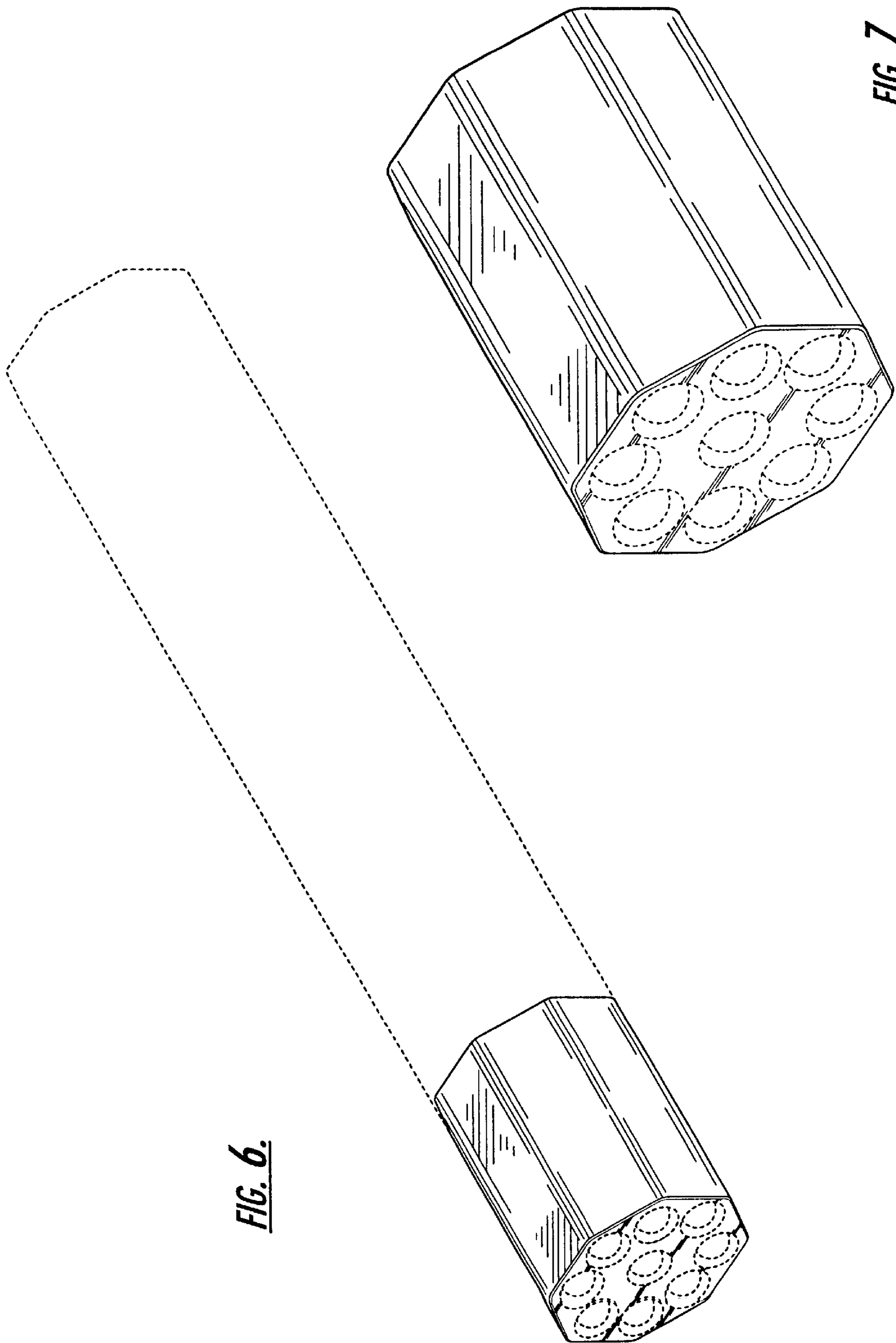


FIG. 6.

FIG. 7.

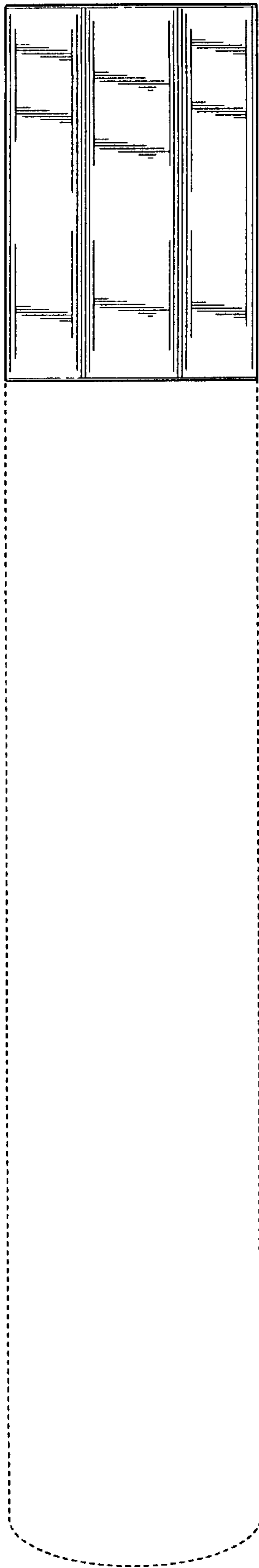


FIG. 8.

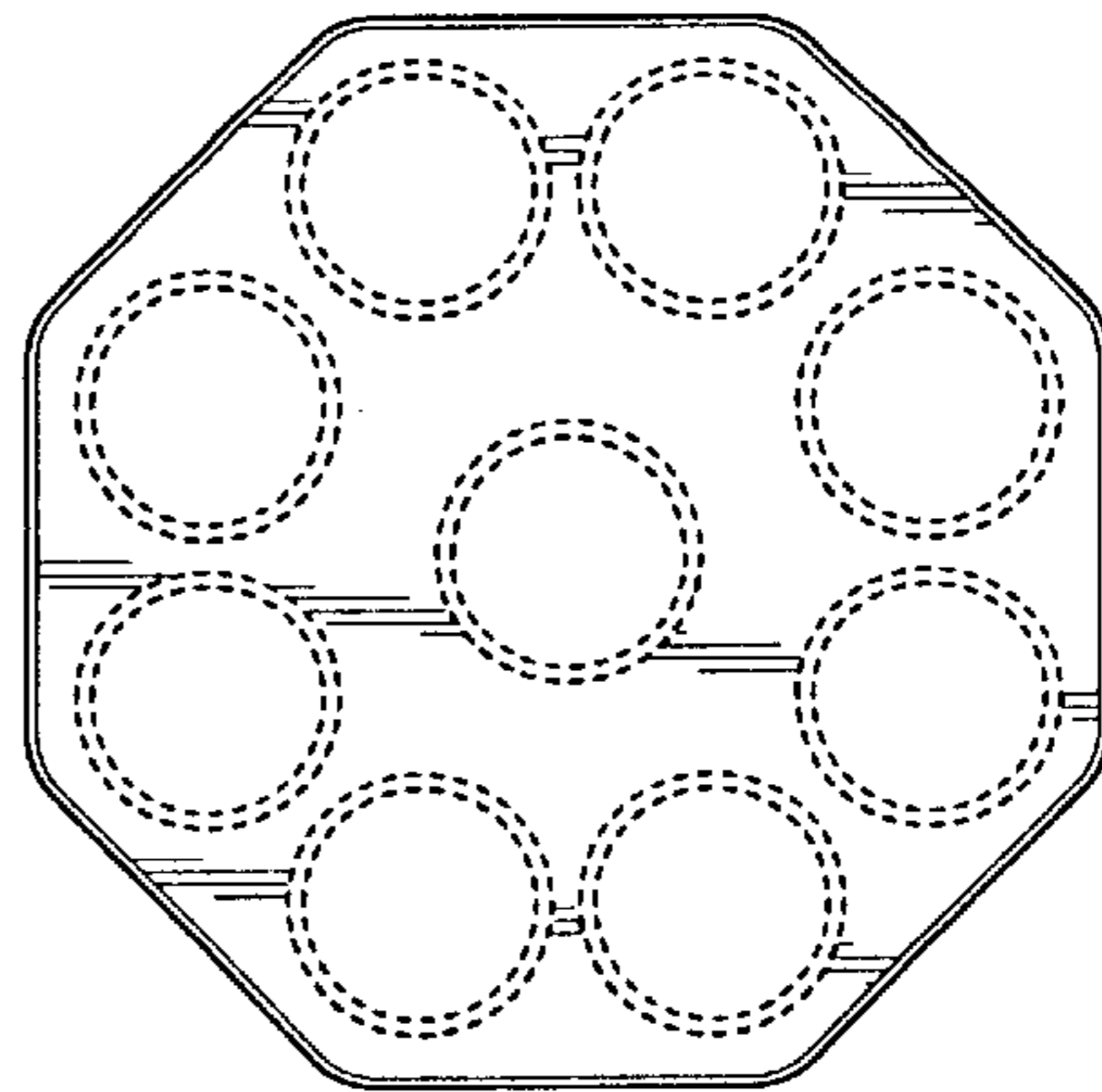


FIG. 9.

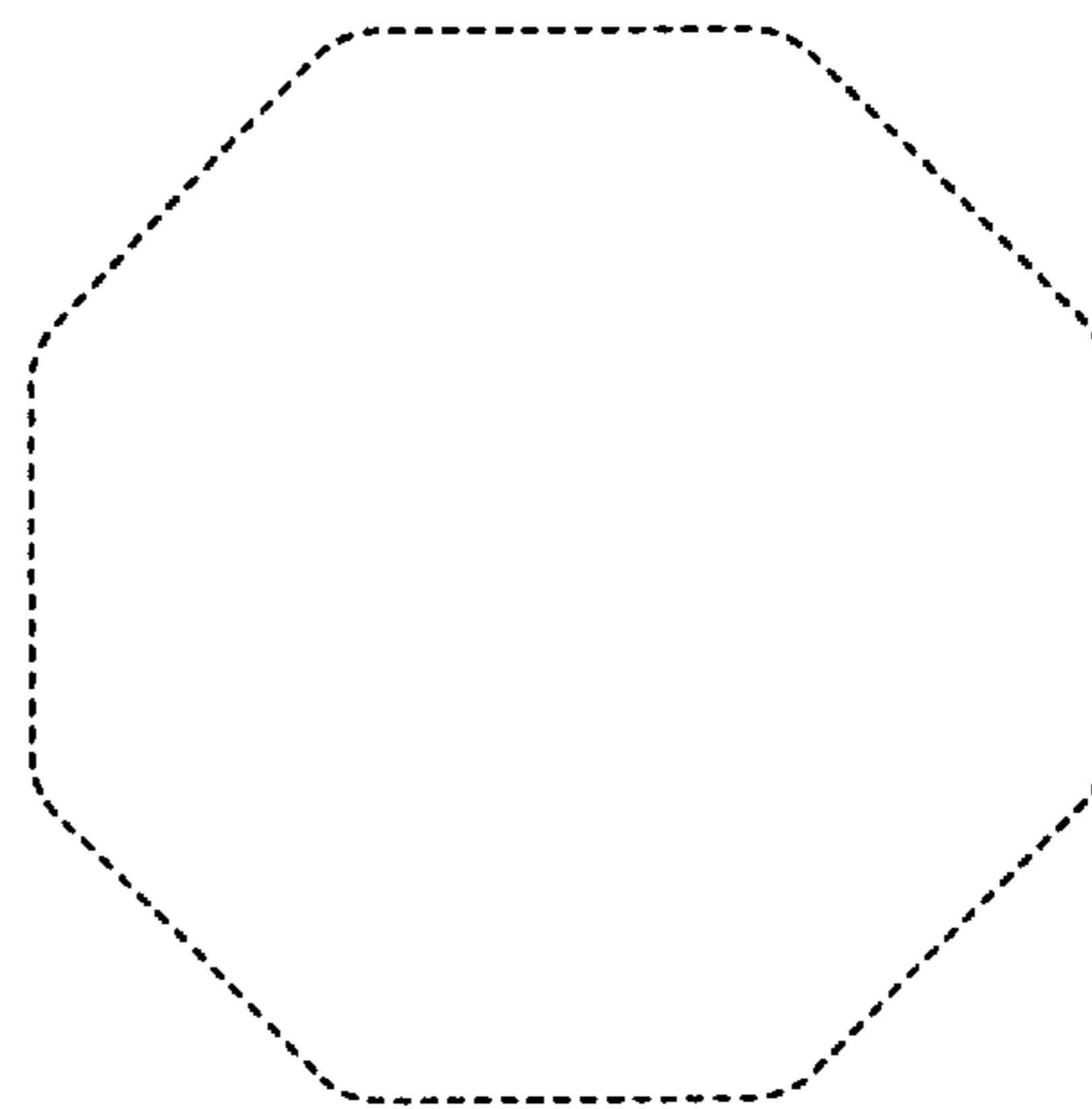


FIG. 10.