



US00D455499S

(12) **United States Design Patent**
Kim

(10) **Patent No.:** **US D455,499 S**

(45) **Date of Patent:** **** Apr. 9, 2002**

(54) **KNEADER**

D406,651 S * 3/1999 Miyake D24/215
D435,913 S * 1/2001 Harris et al.d D24/215

(75) **Inventor:** **Nak-Ki Kim, Seoul (KR)**

* cited by examiner

(73) **Assignee:** **Nopsys Electronics Co., Ltd., Gunpo (KR)**

Primary Examiner—Stella Reid

(**) **Term:** **14 Years**

(74) *Attorney, Agent, or Firm*—Nath & Associates PLLC;
Gary M. Nath; Marvin C. Berkowitz

(21) **Appl. No.:** **29/142,149**

(57) **CLAIM**

(22) **Filed:** **May 21, 2001**

The ornamental design for a kneader, as shown and described.

(51) **LOC (7) Cl.** **28-03**

DESCRIPTION

(52) **U.S. Cl.** **D24/215; D24/214**

(58) **Field of Search** D24/215, 214,
D24/200; 601/67, 69, 118, 119, 128, 129,
130, 131, 134, 136

FIG. 1 is a perspective view of a kneader, showing our new design;

FIG. 2 is a front view thereof;

FIG. 3 is a rear view thereof;

FIG. 4 is a left side view thereof;

FIG. 5 is a right side view thereof;

FIG. 6 is a top plan view thereof; and,

FIG. 7 is a bottom view thereof.

(56) **References Cited**

U.S. PATENT DOCUMENTS

3,672,355 A * 6/1972 Ogawa et al. 601/73
D281,354 S * 11/1985 Nakao et al. D24/211
D388,175 S * 12/1997 Lie D24/215

1 Claim, 4 Drawing Sheets

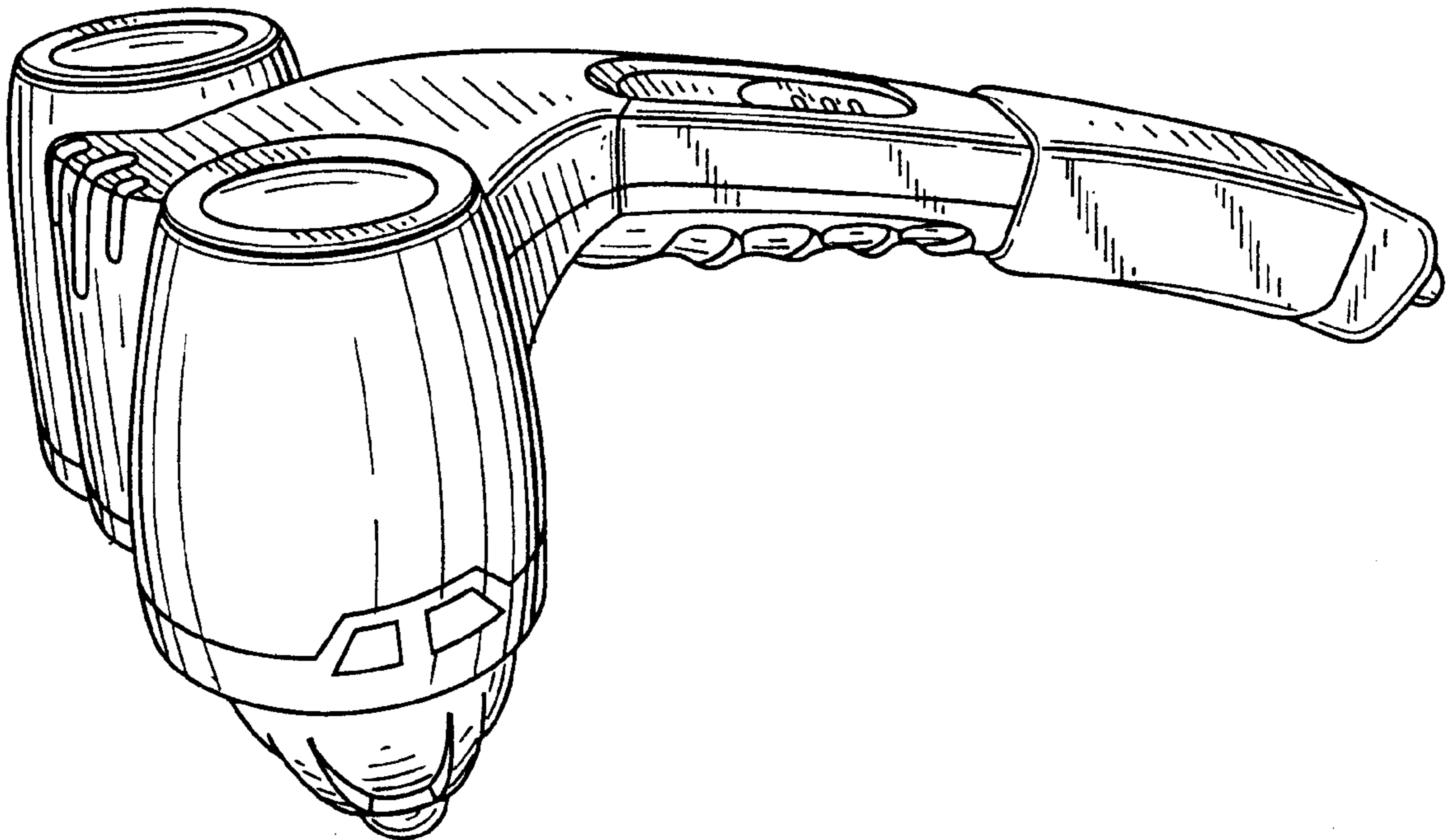


FIG. 1

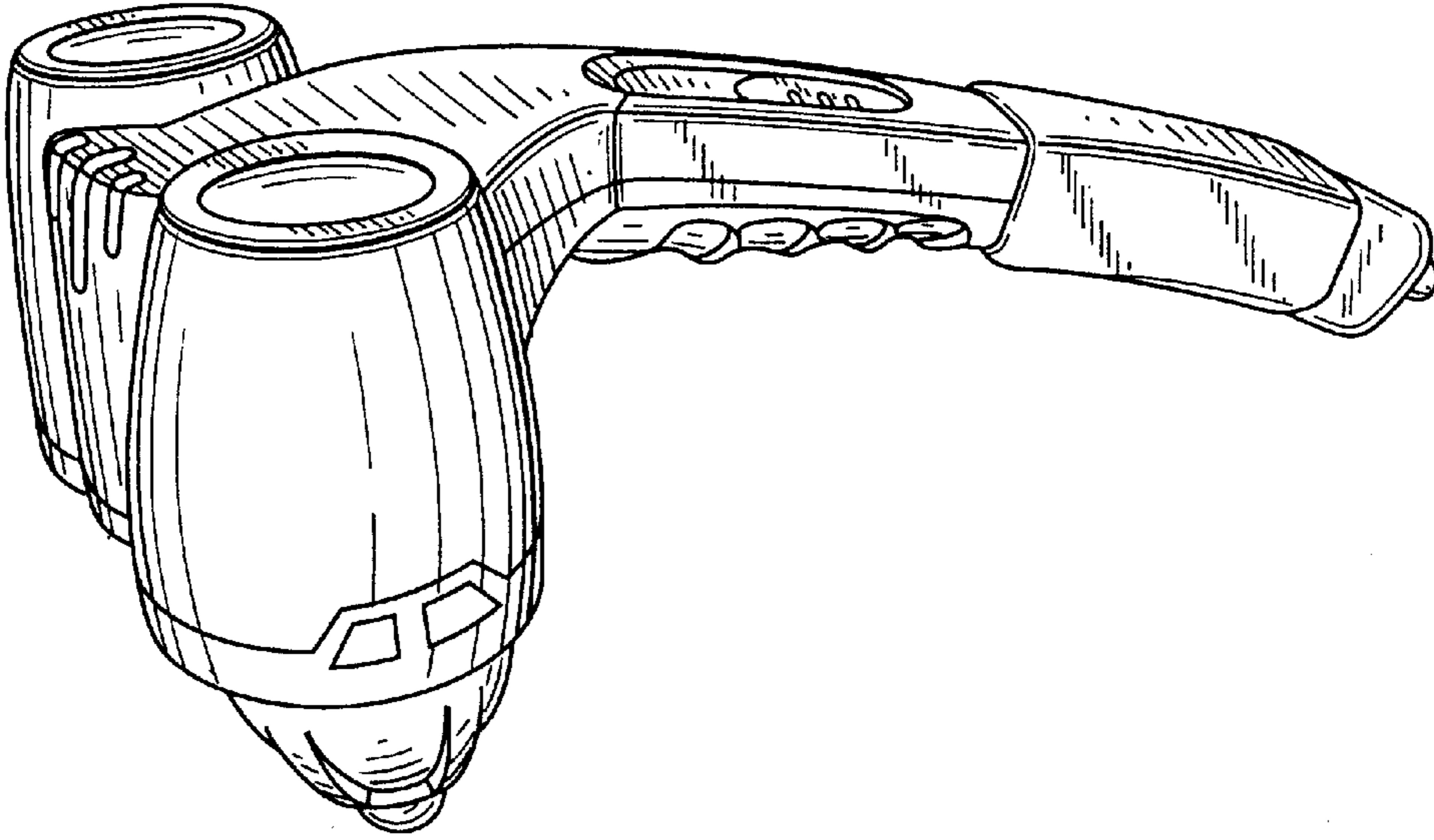


FIG. 2

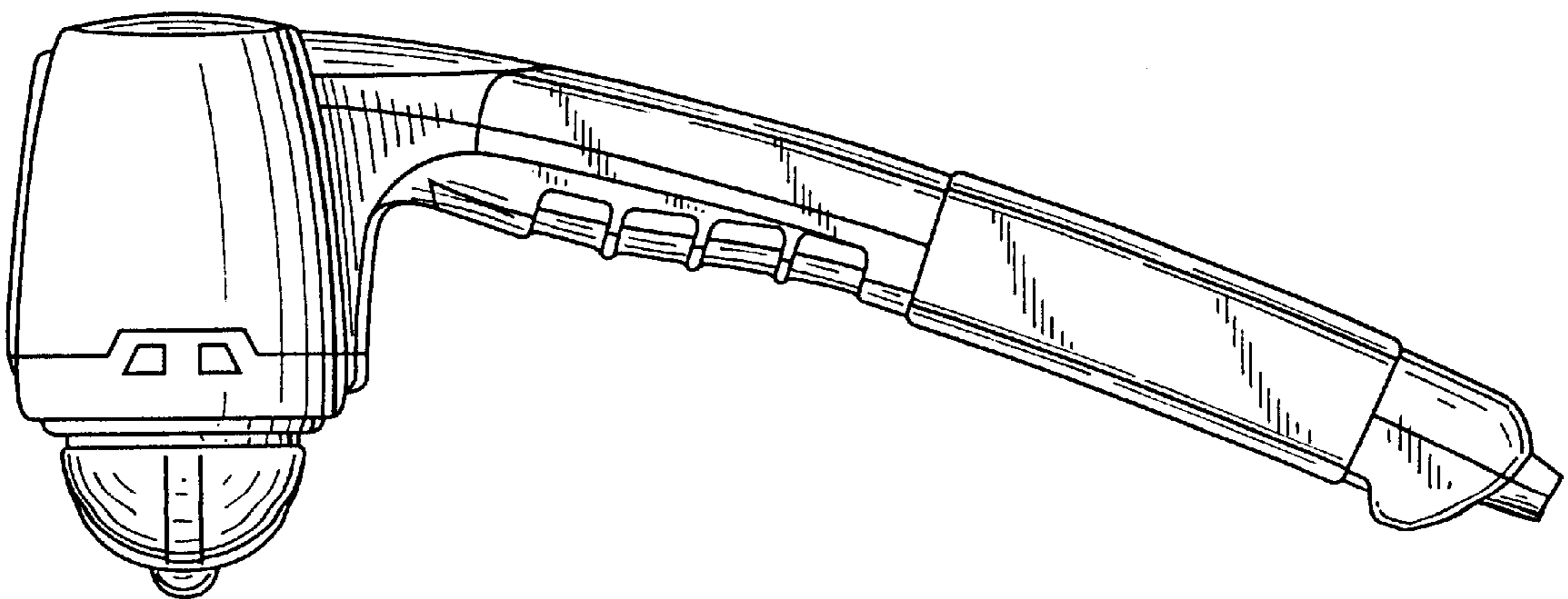


FIG. 3

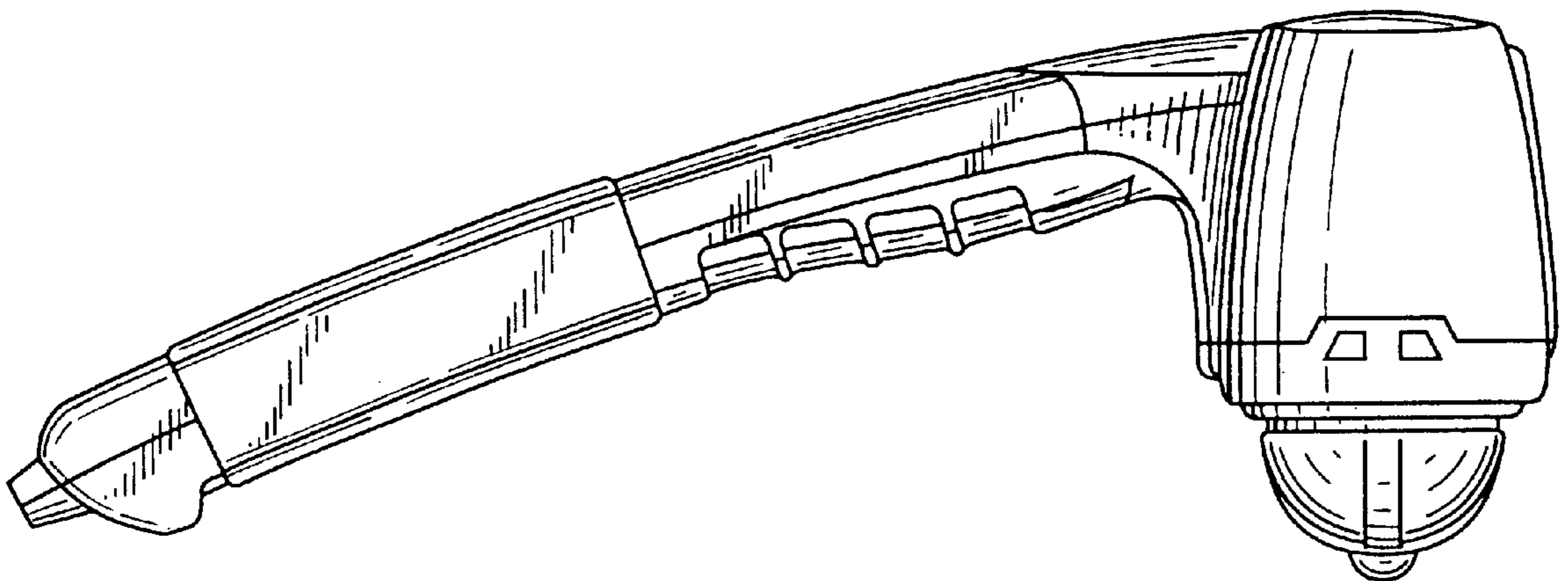


FIG. 4

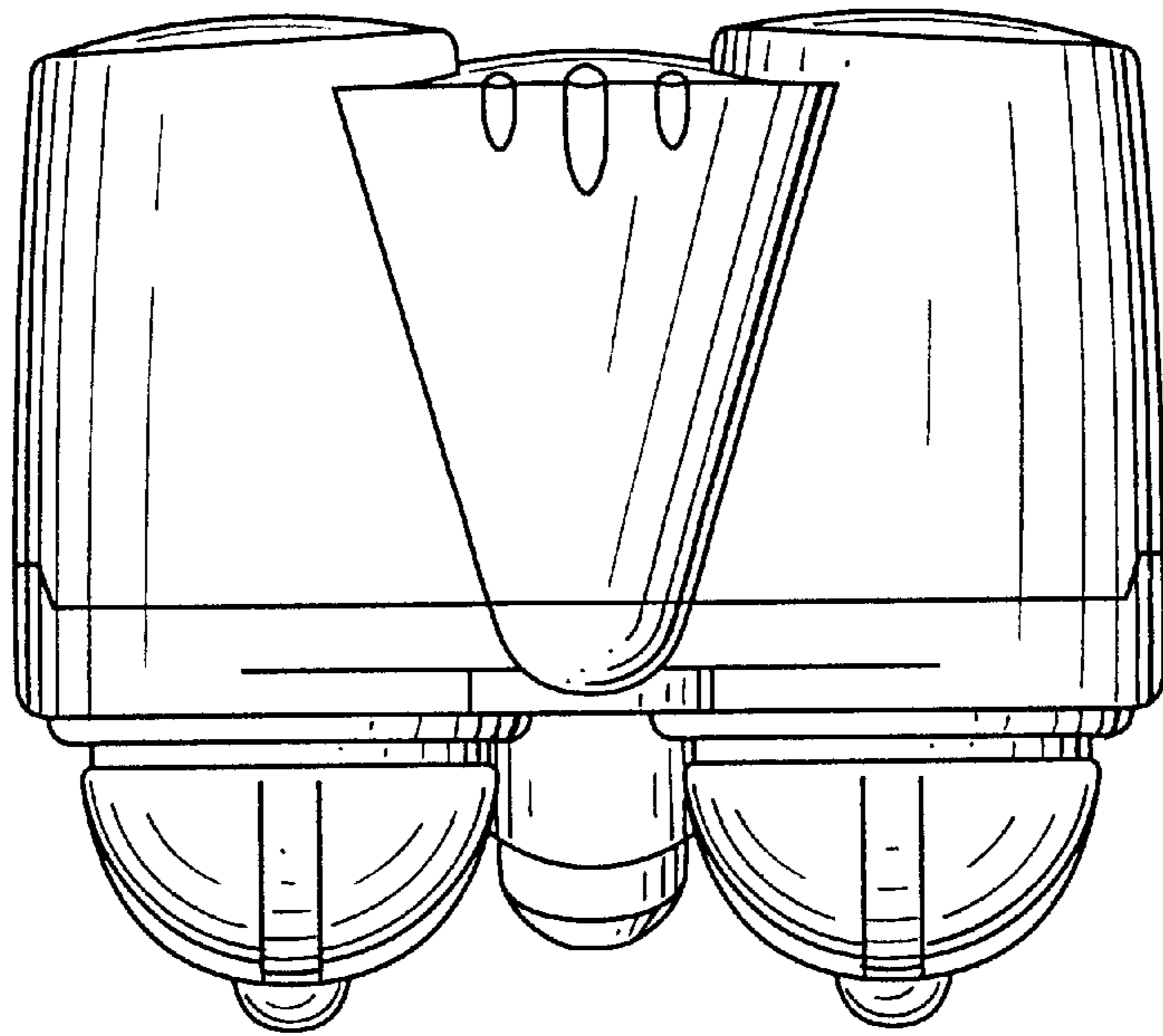


FIG. 5

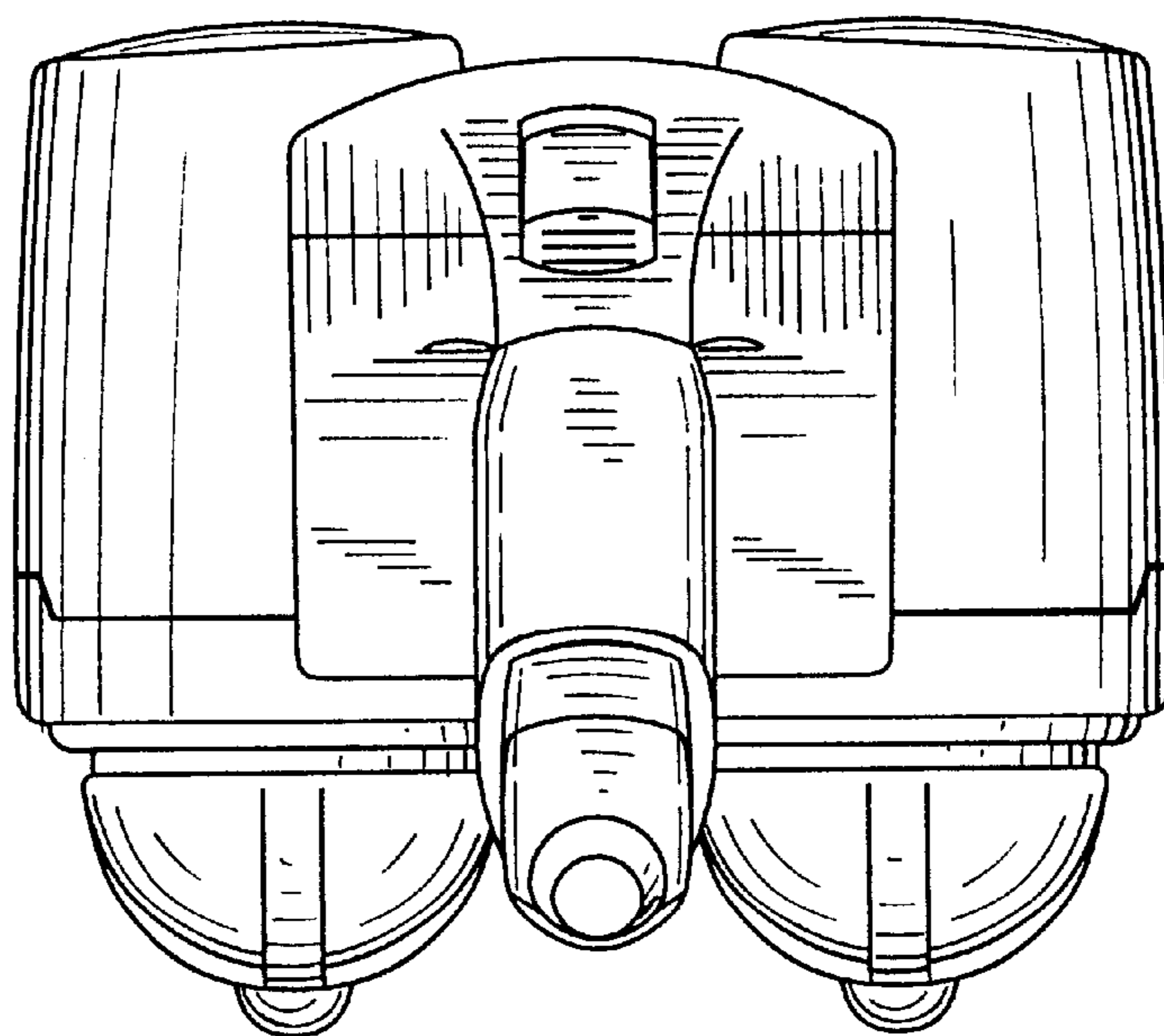


FIG. 6

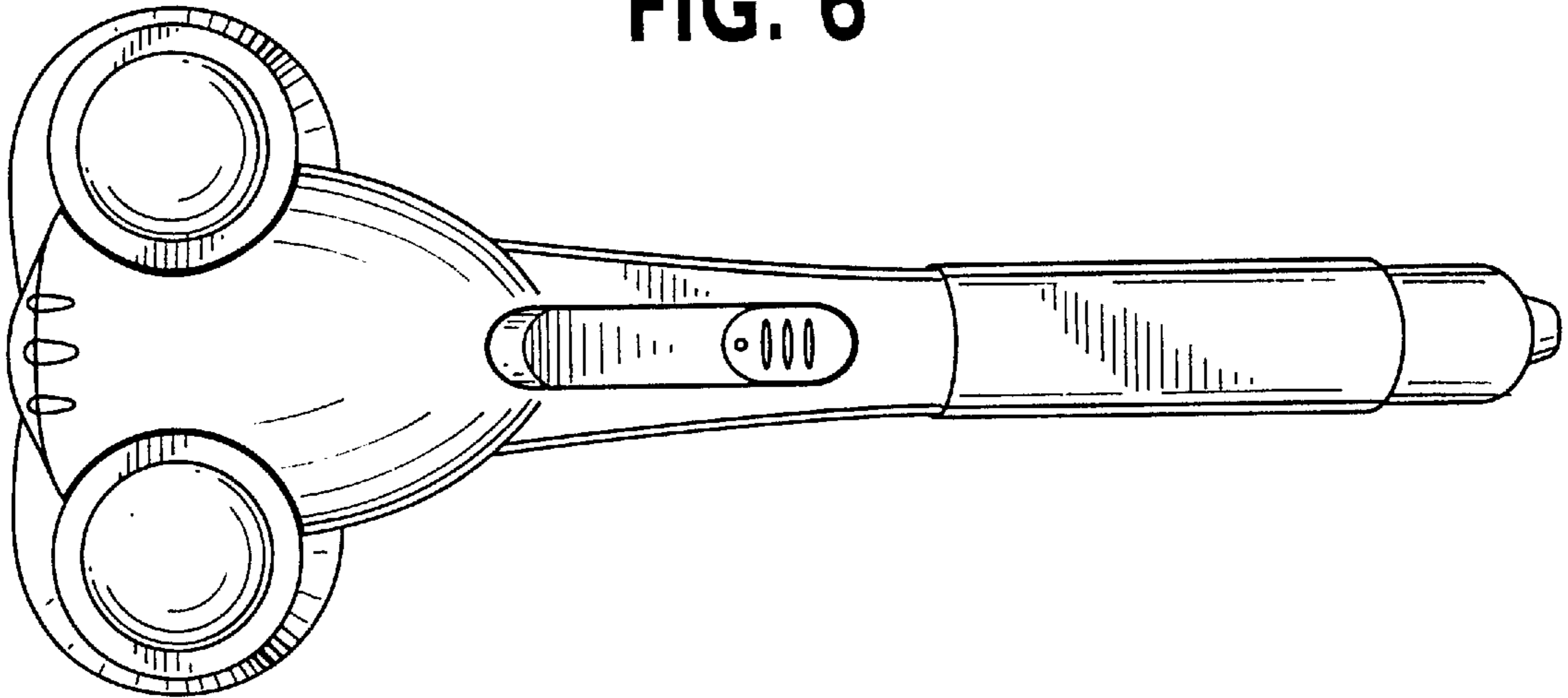


FIG. 7

