



US00D455495S

(12) **United States Design Patent**
Tinsley

(10) **Patent No.:** **US D455,495 S**

(45) **Date of Patent:** **** Apr. 9, 2002**

(54) **EPIDURAL STABILIZATION DEVICE**

5,401,078 A * 3/1995 Riach 297/423.11

5,487,590 A 1/1996 Haynes

6,065,808 A 5/2000 Tinsley

(76) **Inventor:** **Ronald E. Tinsley**, 2944 Adams St.,
Eugene, OR (US) 97405

* cited by examiner

(**) **Term:** **14 Years**

Primary Examiner—Stella Reid

(21) **Appl. No.:** **29/136,449**

(74) *Attorney, Agent, or Firm*—Robert E. Howard

(22) **Filed:** **Jan. 30, 2001**

(57) **CLAIM**

(51) **LOC (7) Cl.** **24-01**

The ornamental design for an epidural stabilization device,
as shown and described.

(52) **U.S. Cl.** **D24/183**

DESCRIPTION

(58) **Field of Search** D24/185, 183,

D24/184; 297/195.11, 344.14, 392, 423.11;

D6/367; 5/621, 624, 630, 632, 601, 648

FIG. 1 is a rear side perspective view of an epidural
stabilization device showing the design;

FIG. 2 is a left side elevational view thereof;

FIG. 3 is a right side elevational view thereof;

FIG. 4 is a front elevational view thereof;

FIG. 5 is a rear elevational view thereof;

FIG. 6 is a top plan view thereof; and,

FIG. 7 is a bottom plan view thereof.

(56) **References Cited**

U.S. PATENT DOCUMENTS

2,764,150 A * 9/1956 Ettinger et al. 5/630

4,391,438 A * 7/1983 Heffington, Jr. 5/630

4,398,707 A * 8/1983 Cloward 5/632

4,583,725 A * 4/1986 Arnold 5/621

4,943,117 A * 7/1990 Brown 297/392

1 Claim, 4 Drawing Sheets

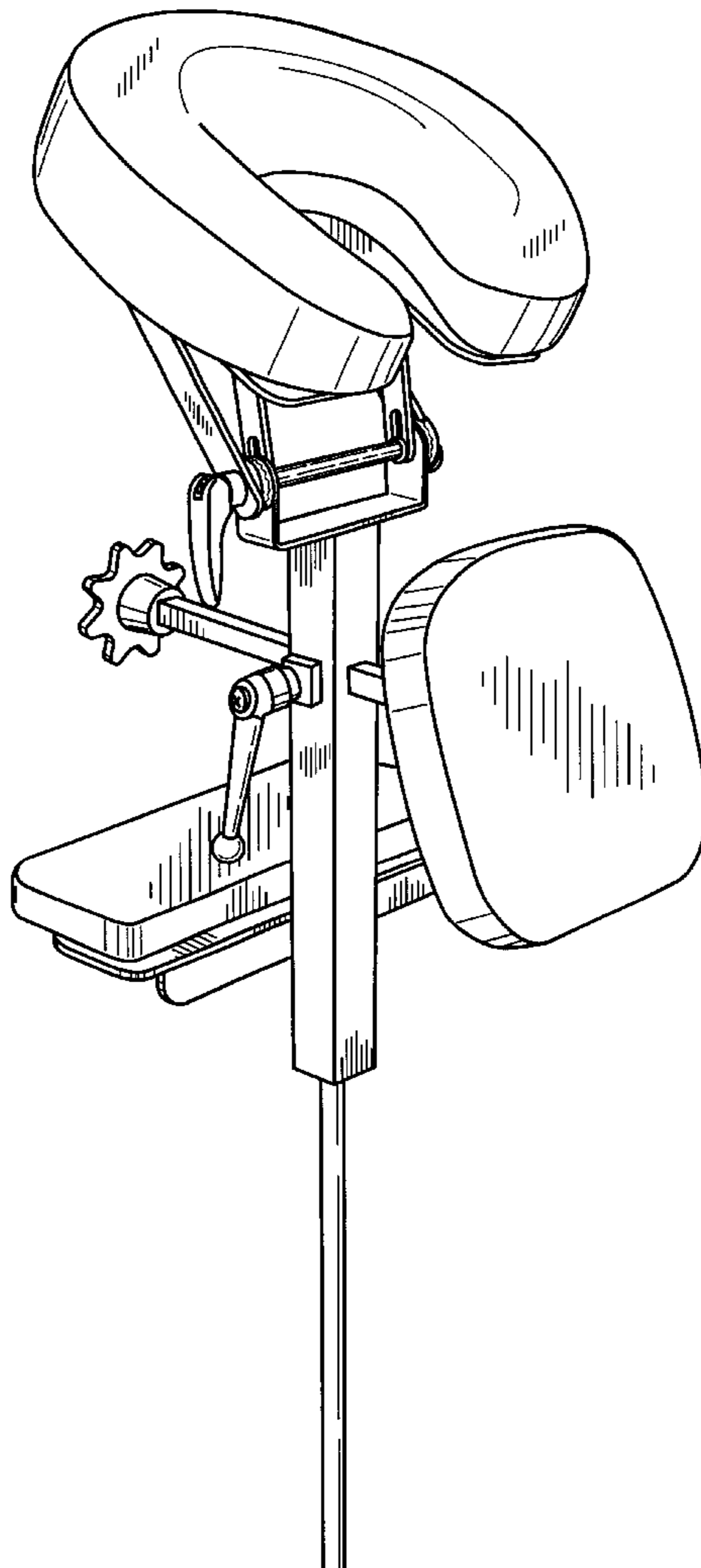


Fig. 1

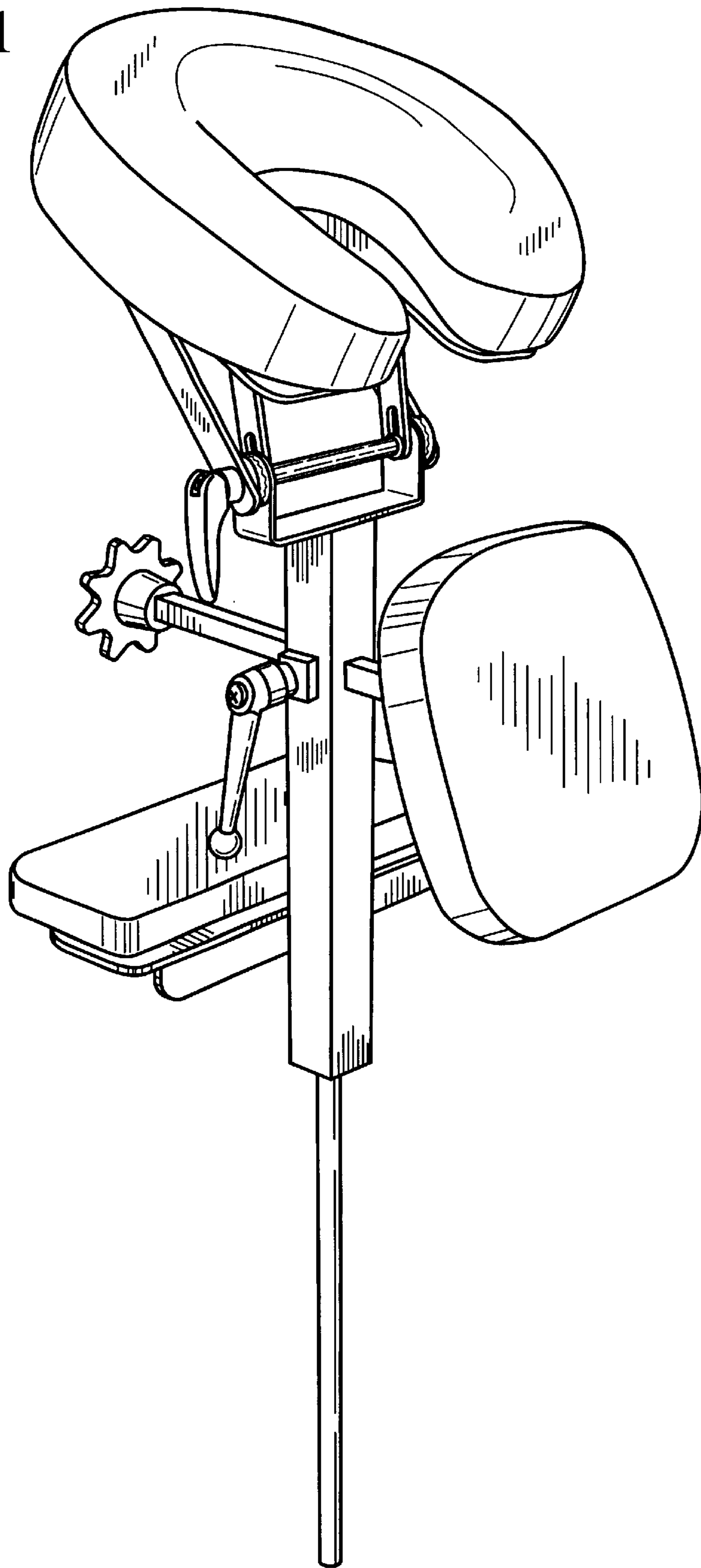


Fig. 2

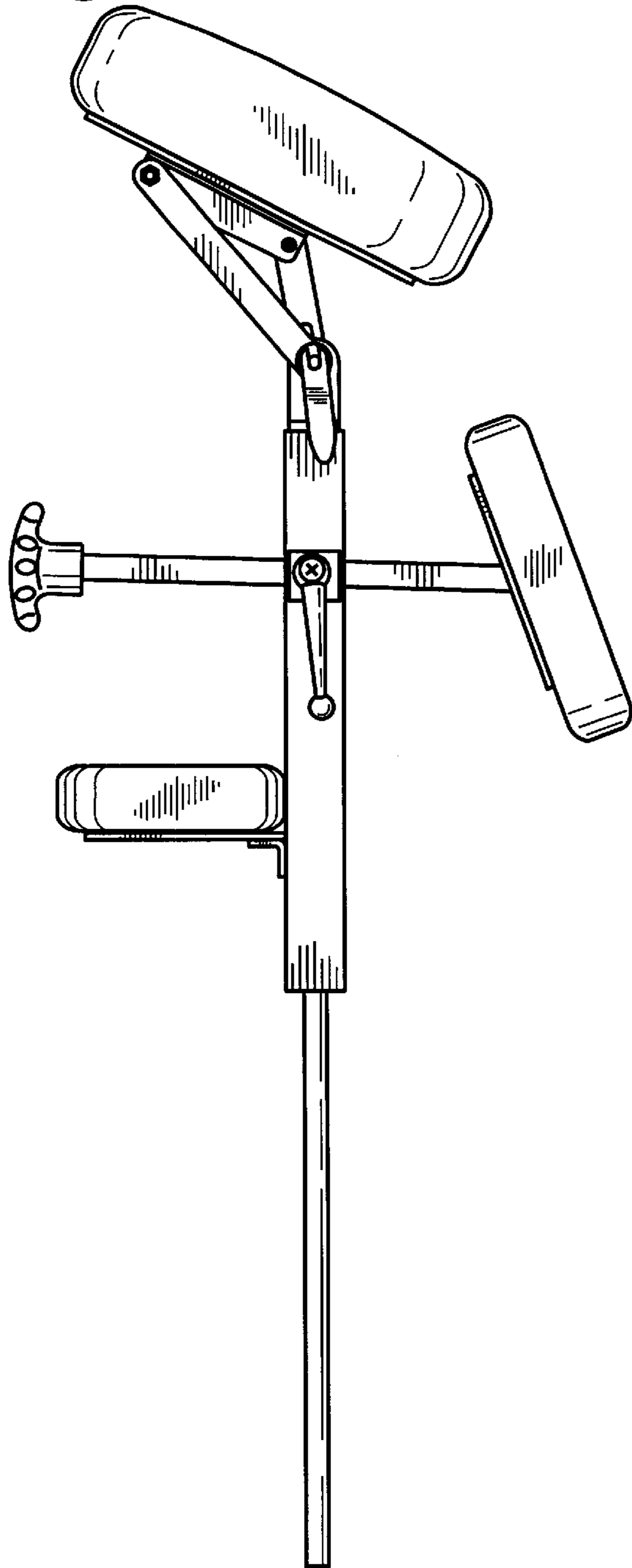


Fig. 3

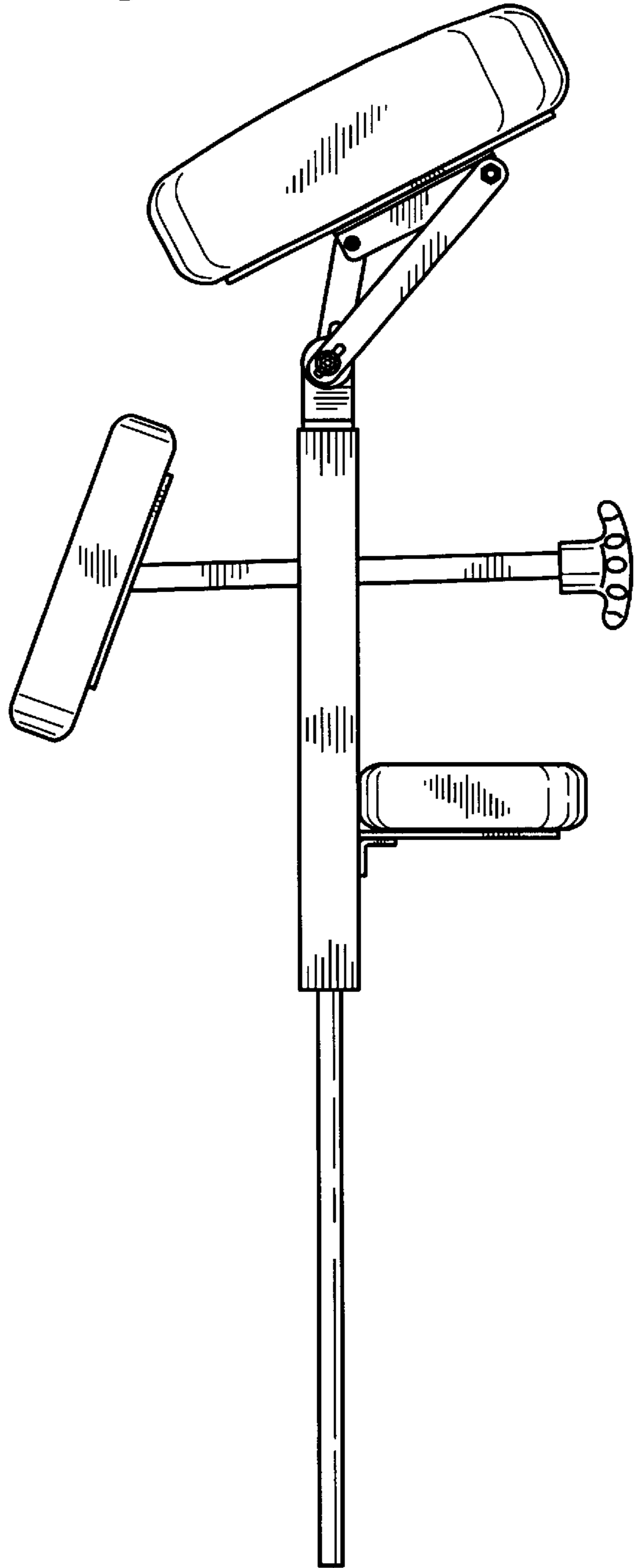


Fig. 4

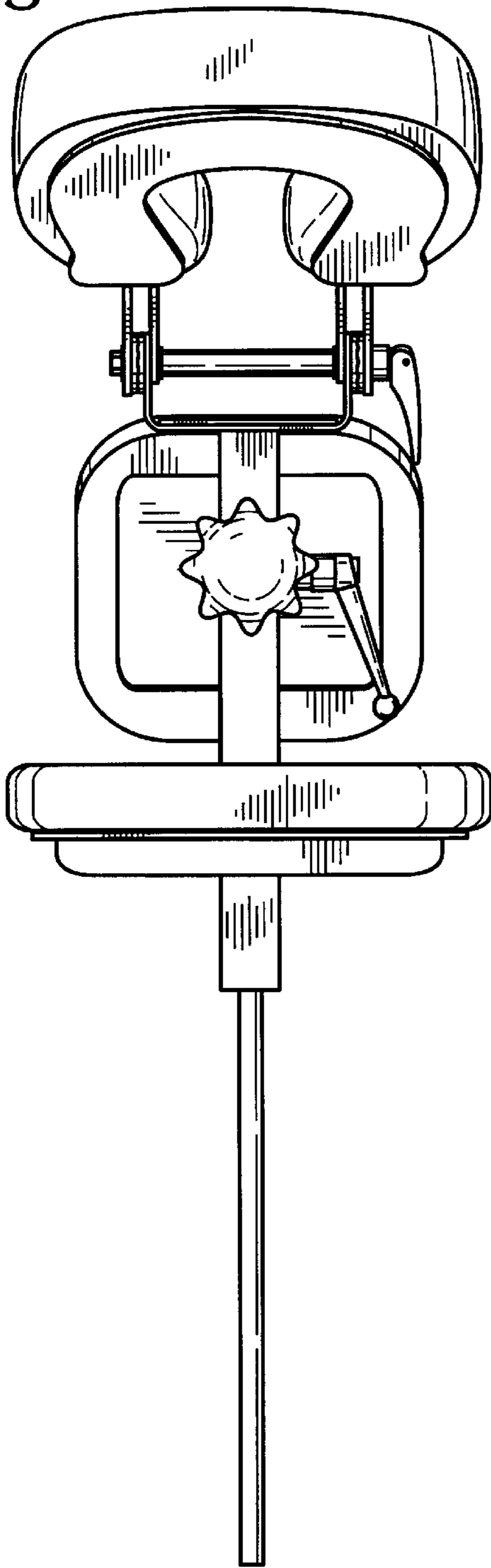


Fig. 5

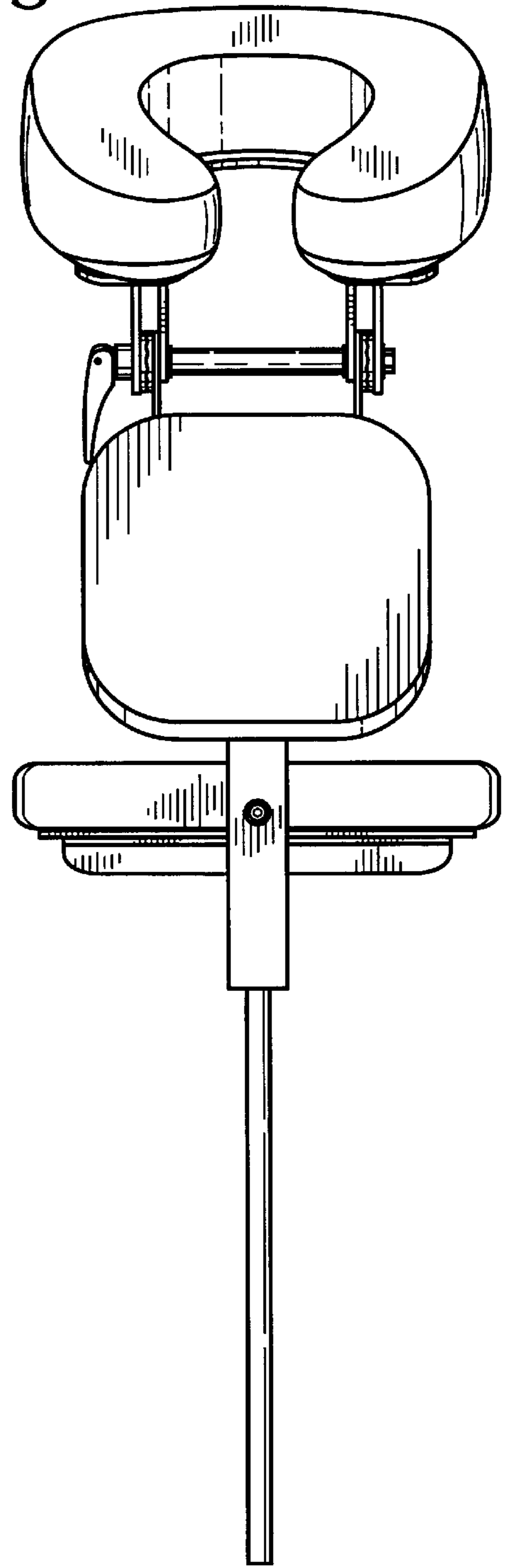


Fig. 6

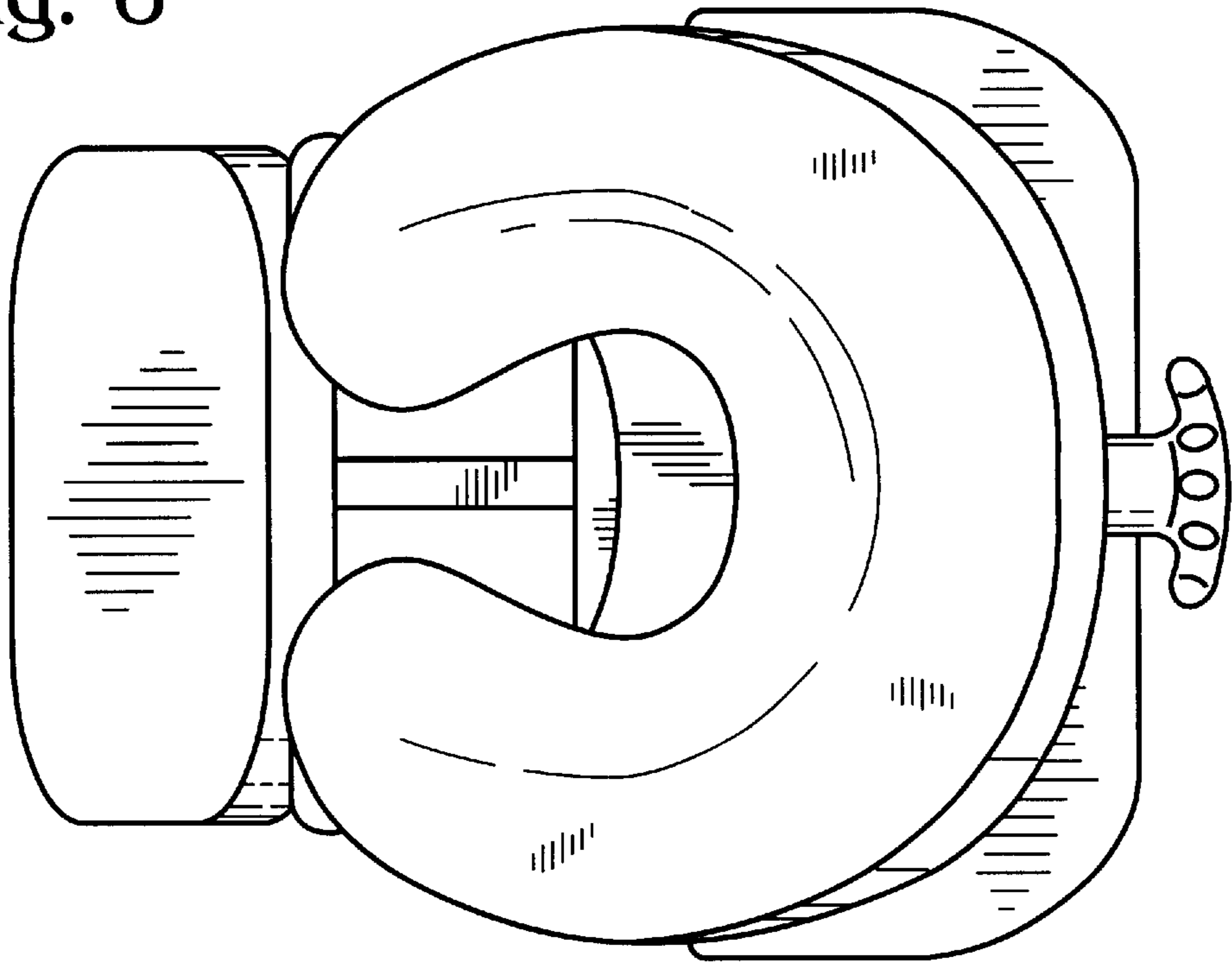


Fig. 7

