



US00D455492S

(12) **United States Design Patent**  
**Daynes et al.**

(10) **Patent No.:** **US D455,492 S**

(45) **Date of Patent:** **\*\* Apr. 9, 2002**

(54) **PORTABLE EXTERNAL DEFIBRILLATOR**

(75) Inventors: **John C. Daynes**, Redmond; **Douglas J. Hill**, Newcastle; **Cathlene D. Buchanan**, Shoreline, all of WA (US)

(73) Assignee: **Medtronic Physio-Control Manufacturing Corp.**, Redmond, WA (US)

(\*\*) Term: **14 Years**

(21) Appl. No.: **29/141,277**

(22) Filed: **May 2, 2001**

(51) **LOC (7) Cl.** ..... **24-01**

(52) **U.S. Cl.** ..... **D24/167**

(58) **Field of Search** ..... D24/167; 607/4,  
607/5, 6

“Lifepak® 4, Portable Battery Operated Cardioscope/Defibrillator With ECG Recorder,” Specification Sheet, Physio-Control Corp., at least as early as 1974.

“Lifepak® 300, Automatic Advisory Defibrillator,” Operating Instructions, Physio-Control Corp., Mar. 1994.

“Lifepak® 11, Diagnostic Cardiac Monitor,” Operating Instructions, Physio-Control Corp., Apr. 1996, pp. cover, 2-2-2-5, 5-6.

\* cited by examiner

*Primary Examiner*—Stella Reid

(74) *Attorney, Agent, or Firm*—Christensen O’Connor Johnson Kindness PLLC

(57) **CLAIM**

The ornamental design for a portable external defibrillator, as shown and described.

**DESCRIPTION**

FIG. 1 is a top front perspective view of a portable external defibrillator showing our new design;

FIG. 2 is a front elevational view thereof;

FIG. 3 is a back elevational view thereof;

FIG. 4 is a right side elevational view thereof;

FIG. 5 is a left side elevational view thereof;

FIG. 6 is a top plan view thereof;

FIG. 7 is a bottom plan view thereof;

FIG. 8 is a top front perspective view of the portable external defibrillator showing our new design, with the door in open position;

FIG. 9 is a front elevational view thereof;

FIG. 10 is a back elevational view thereof;

FIG. 11 is a right side elevational view thereof;

FIG. 12 is a left side elevational view thereof;

FIG. 13 is a top plan view thereof; and,

FIG. 14 is a bottom plan view thereof.

The broken line showing in FIGS. 8, 9 and 13 is for illustrative purposes only and forms no part of the claimed design.

(56) **References Cited**

**U.S. PATENT DOCUMENTS**

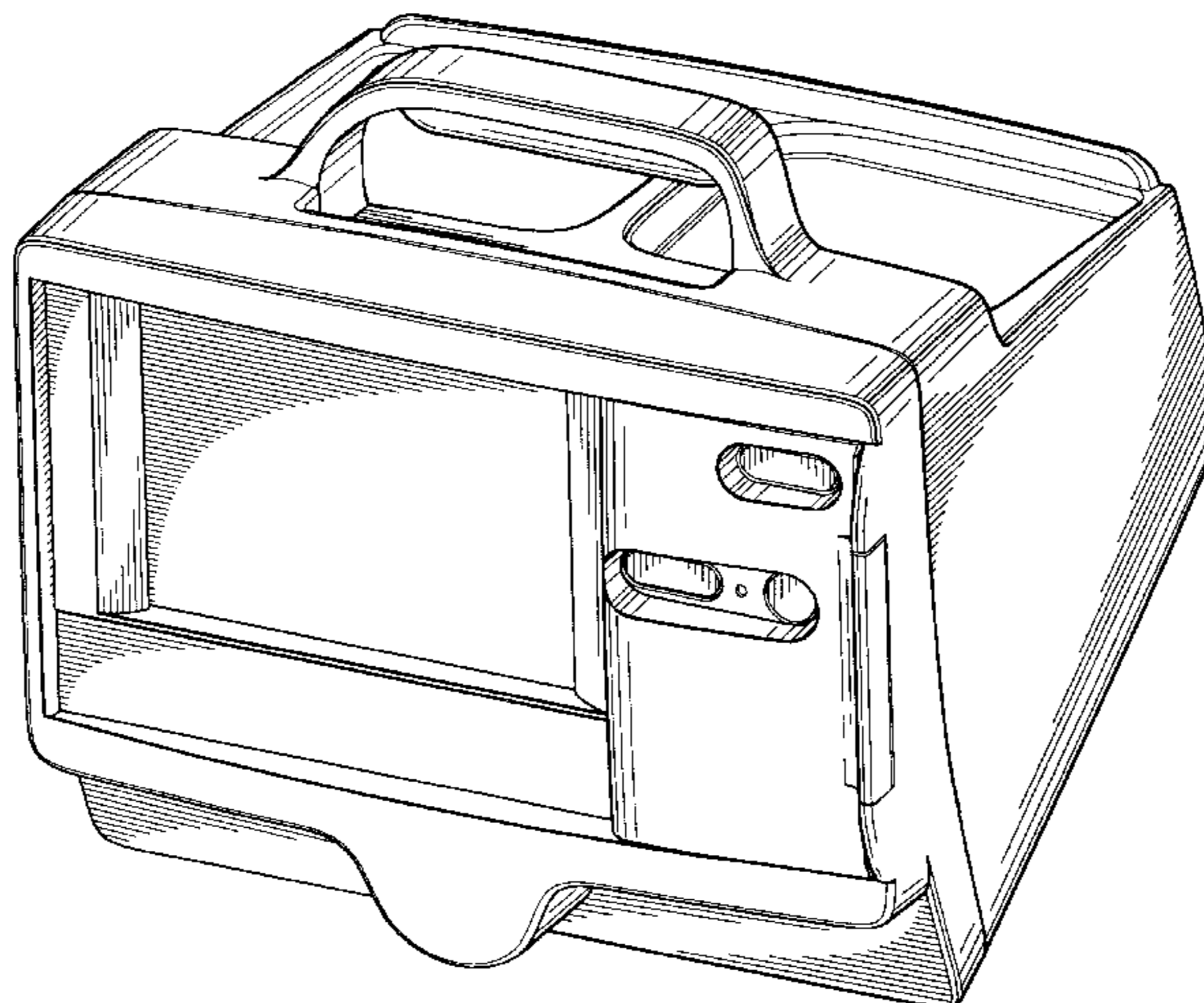
4,096,856 A	6/1978	Smith et al.	
D253,609 S	* 12/1979	Smith et al.	D24/167
4,610,254 A	9/1986	Morgan et al.	
D291,245 S	* 8/1987	Lanci et al.	D24/167
D320,653 S	10/1991	Jones et al.	
D322,853 S	12/1991	Benson et al.	
D342,788 S	12/1993	Weaver et al.	
D357,318 S	4/1995	Hill et al.	
D392,739 S	3/1998	Bertagnole et al.	
D394,903 S	* 6/1998	Barkley et al.	D24/167
D402,758 S	* 12/1998	Barkley et al.	D24/167
5,935,152 A	8/1999	Merry et al.	
D414,869 S	10/1999	Daynes et al.	
D415,279 S	10/1999	Daynes et al.	
6,021,349 A	2/2000	Arand et al.	

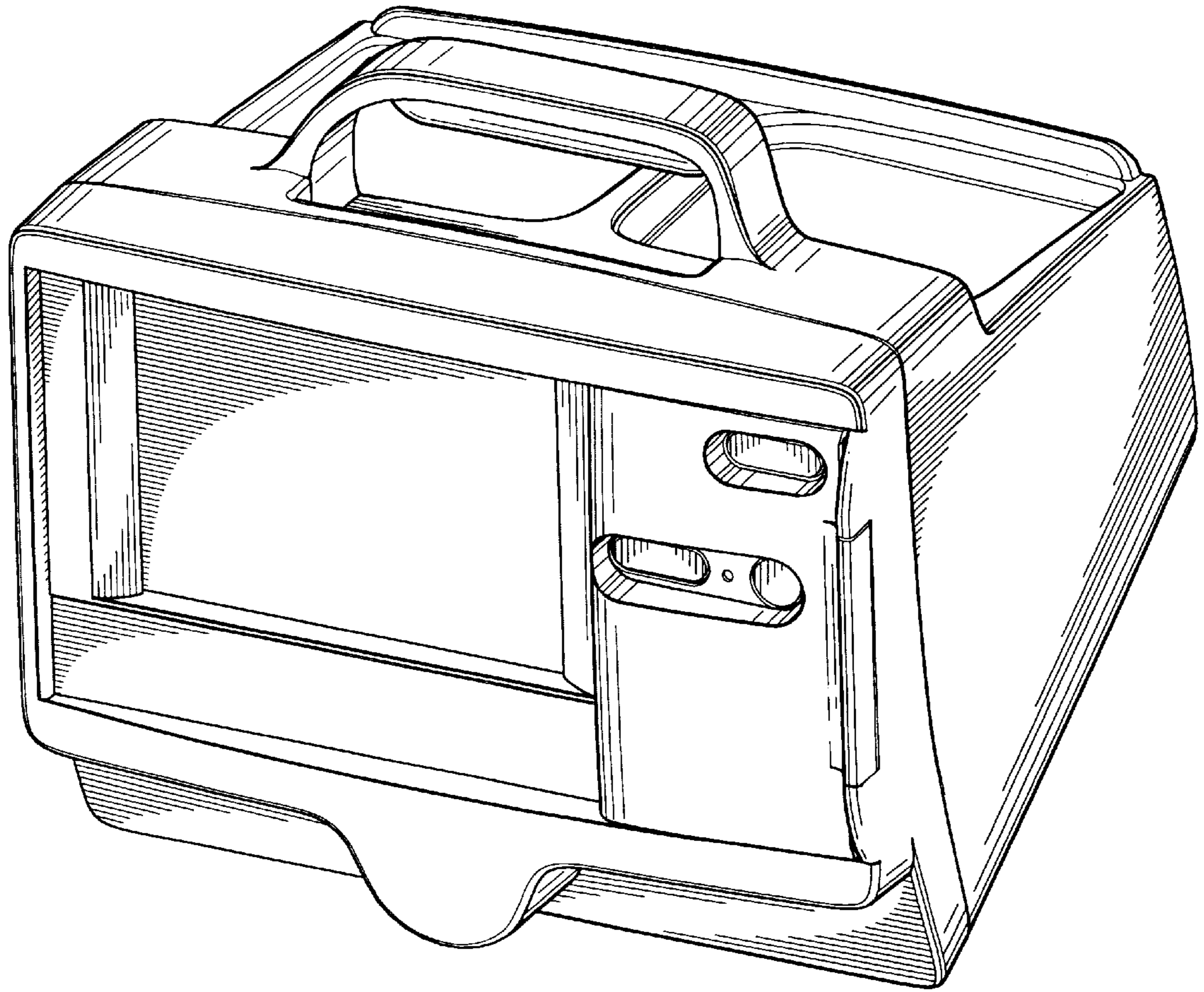
**OTHER PUBLICATIONS**

“Lifepak® 2, Portable Battery Operated Defibrillator and Cardioscope,” Specification Sheet, Physio-Control Corp., at least as early as 1972.

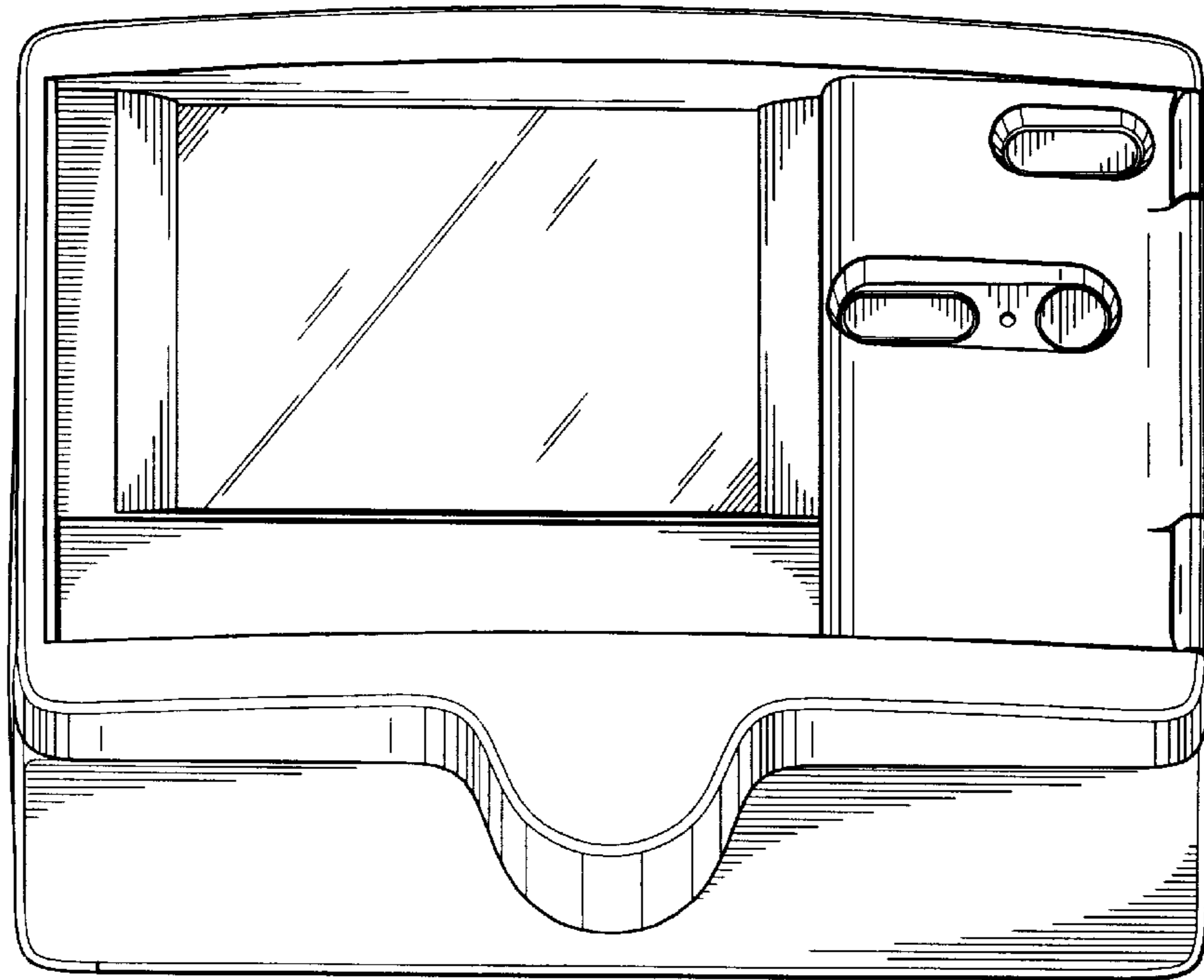
“Lifepak® 3, Portable Battery Operated Cardioscope/Defibrillator,” Specification Sheet, Physio-Control Corp., at least as early as 1972.

**1 Claim, 8 Drawing Sheets**

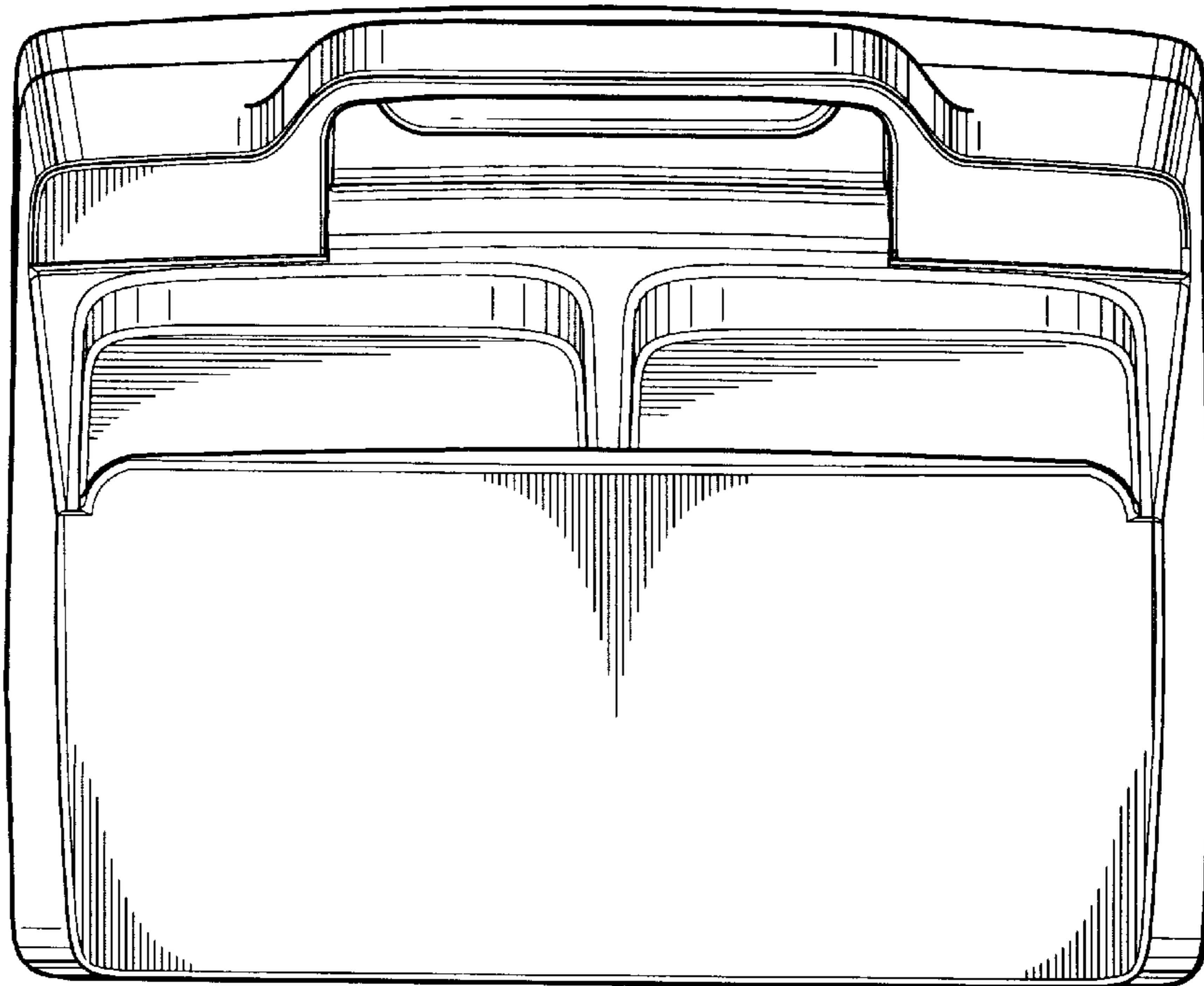




*Fig. 1.*

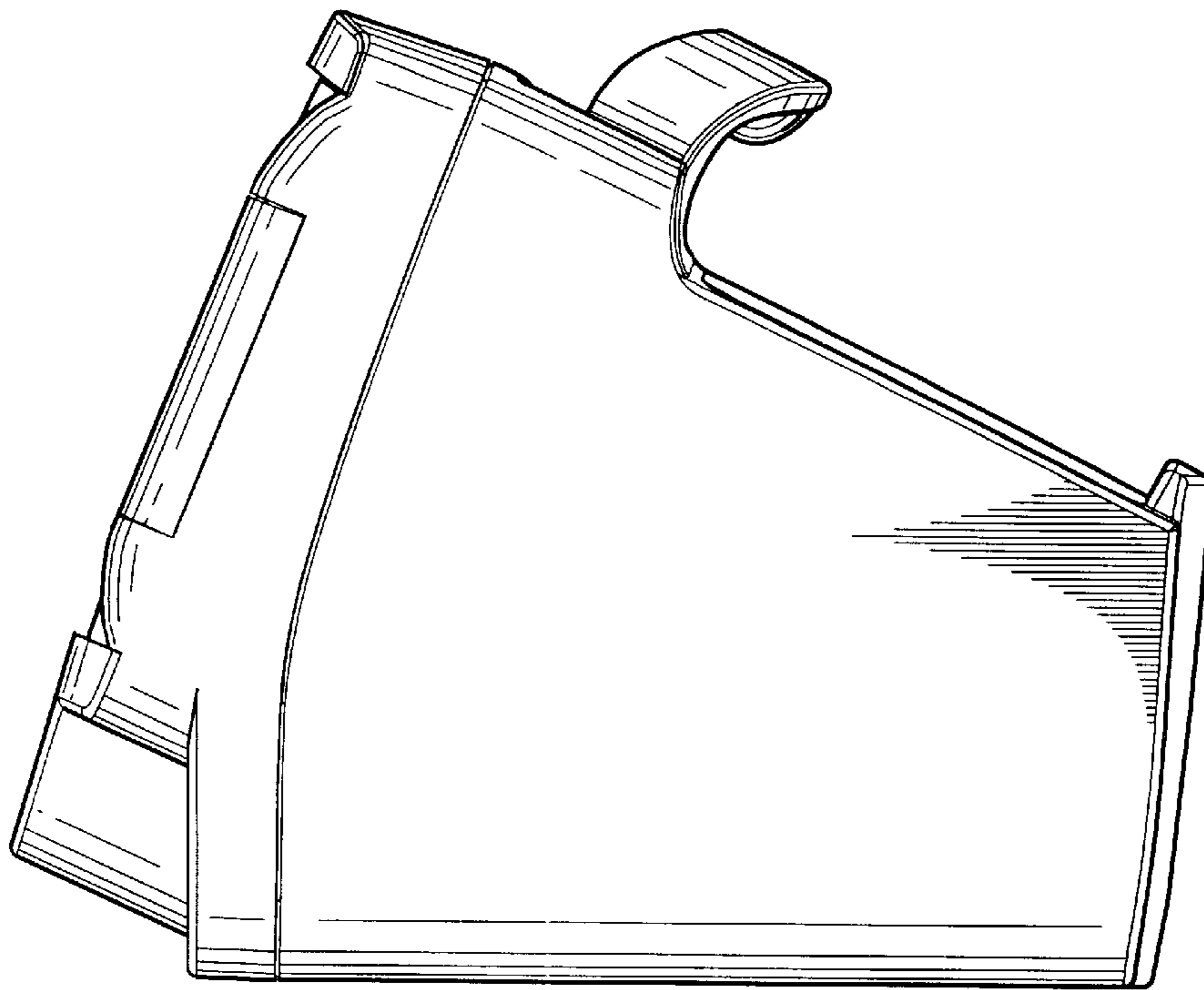


*Fig. 2.*

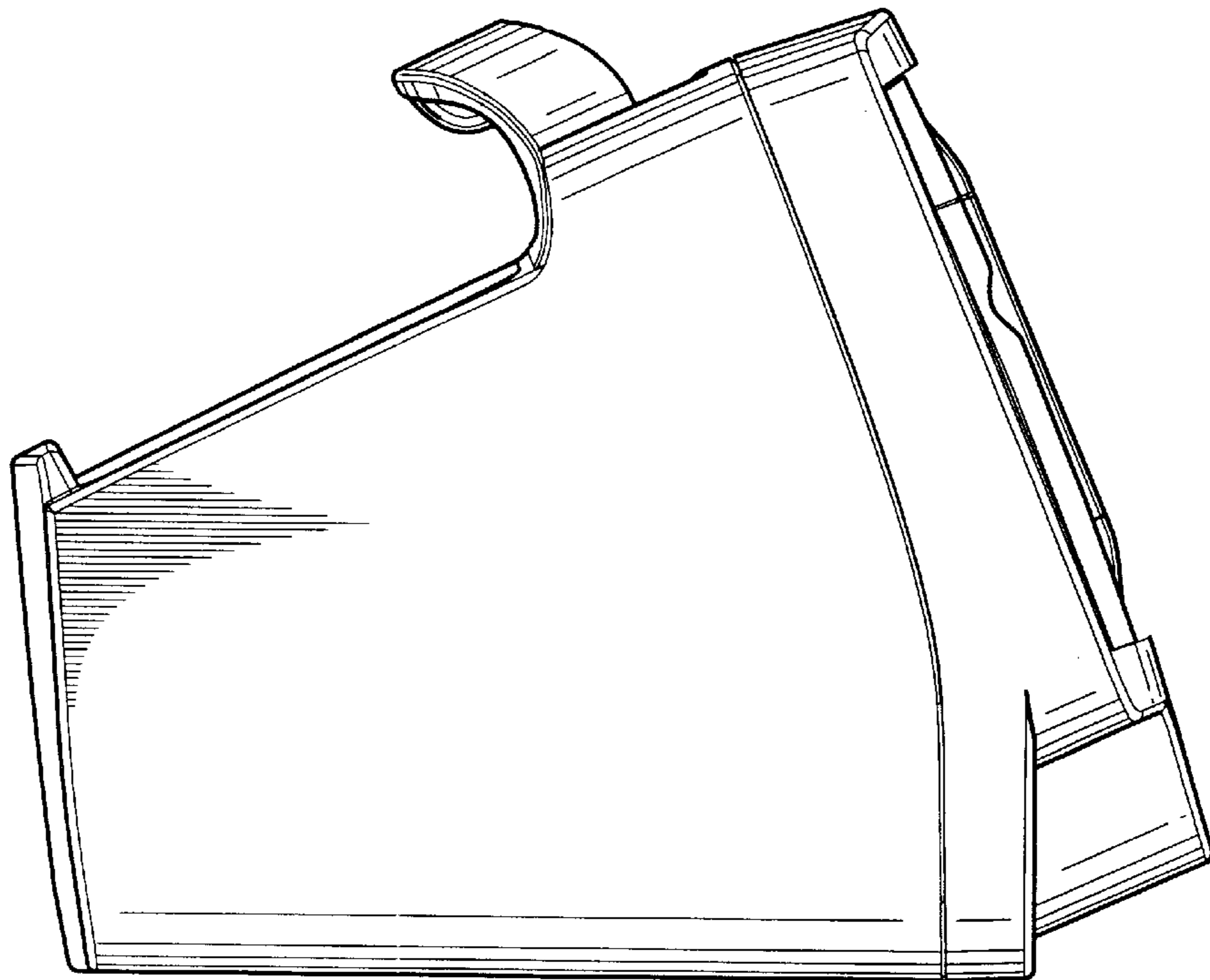


*Fig. 3.*

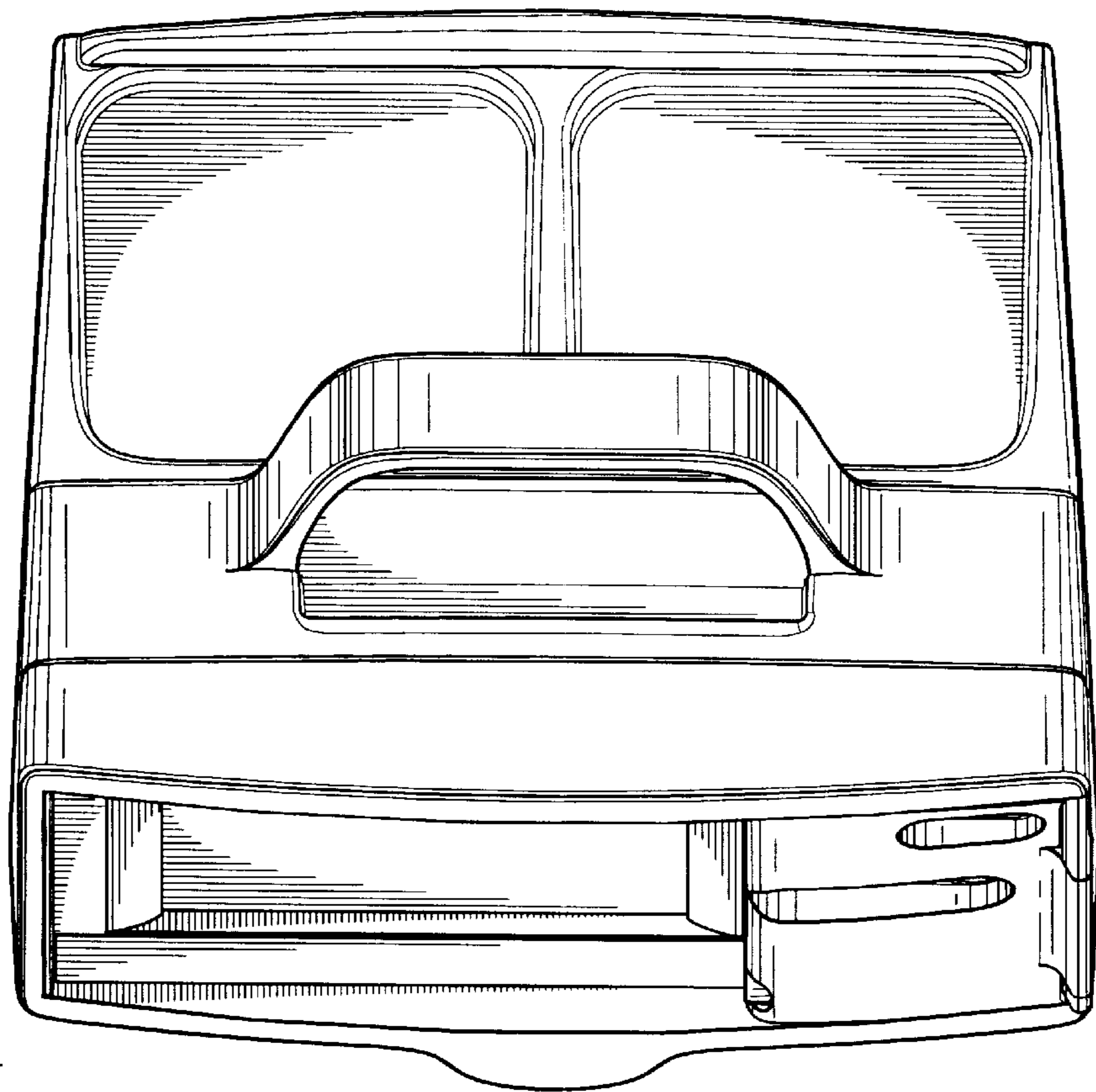




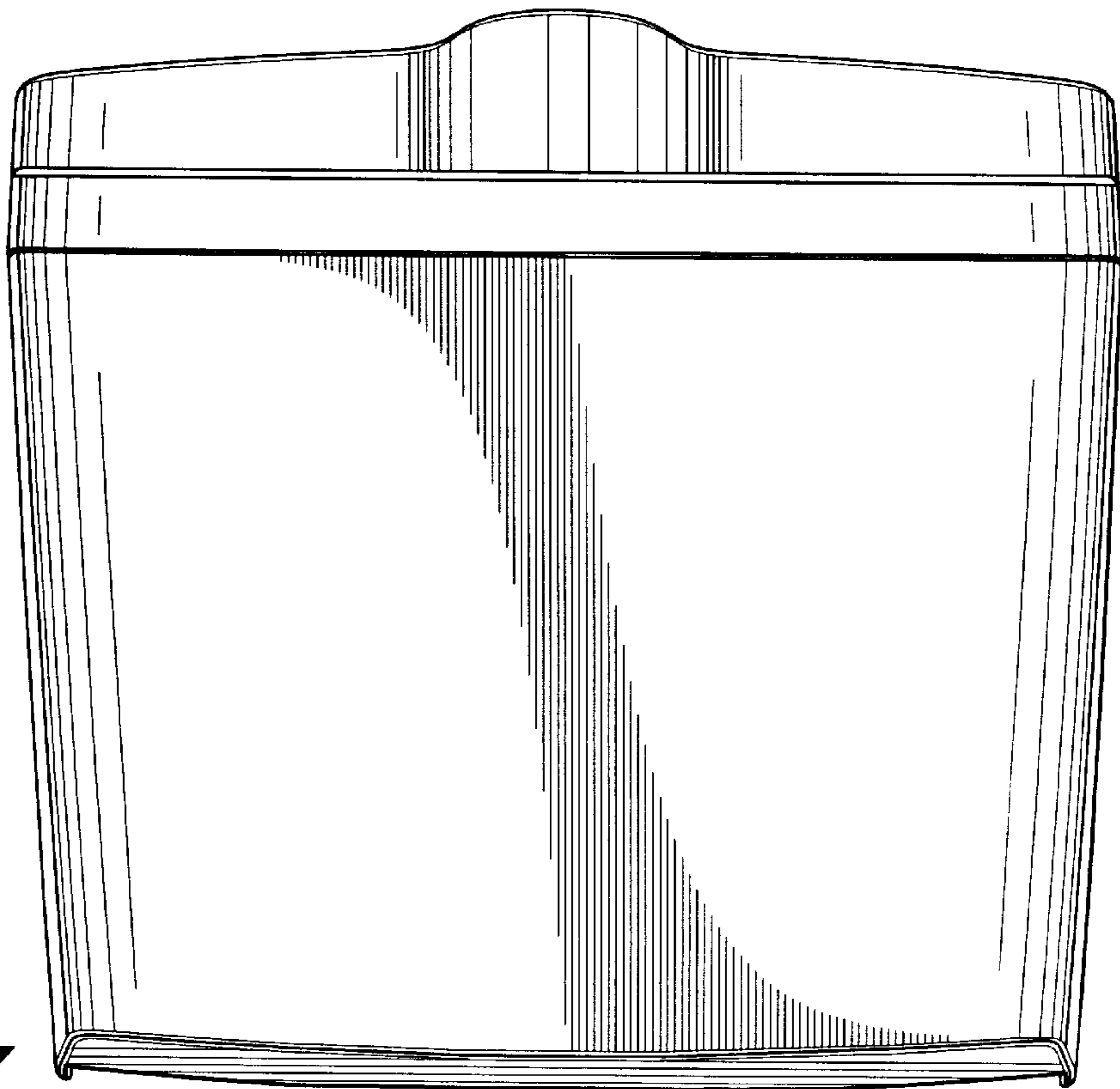
*Fig. 4.*



*Fig. 5.*

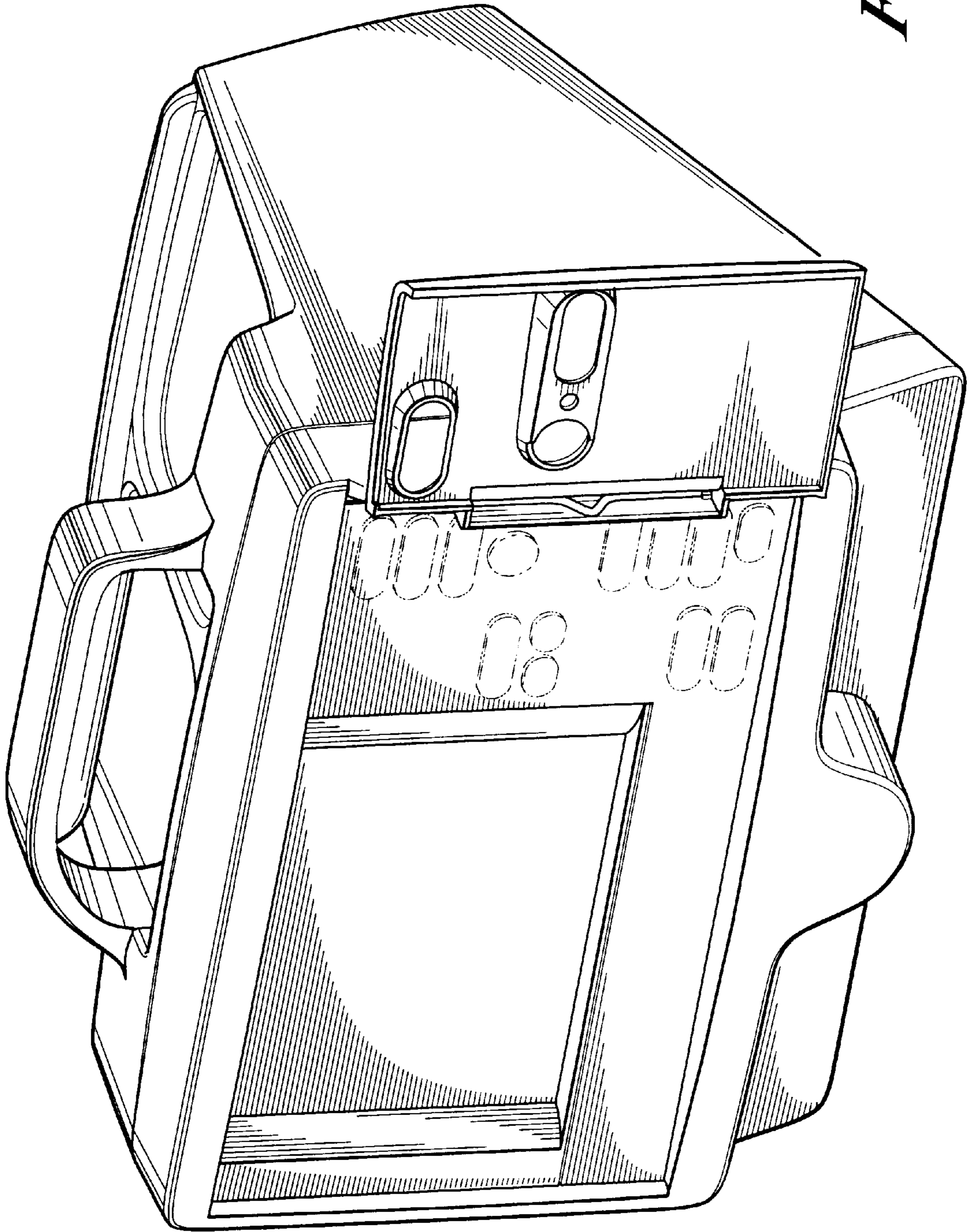


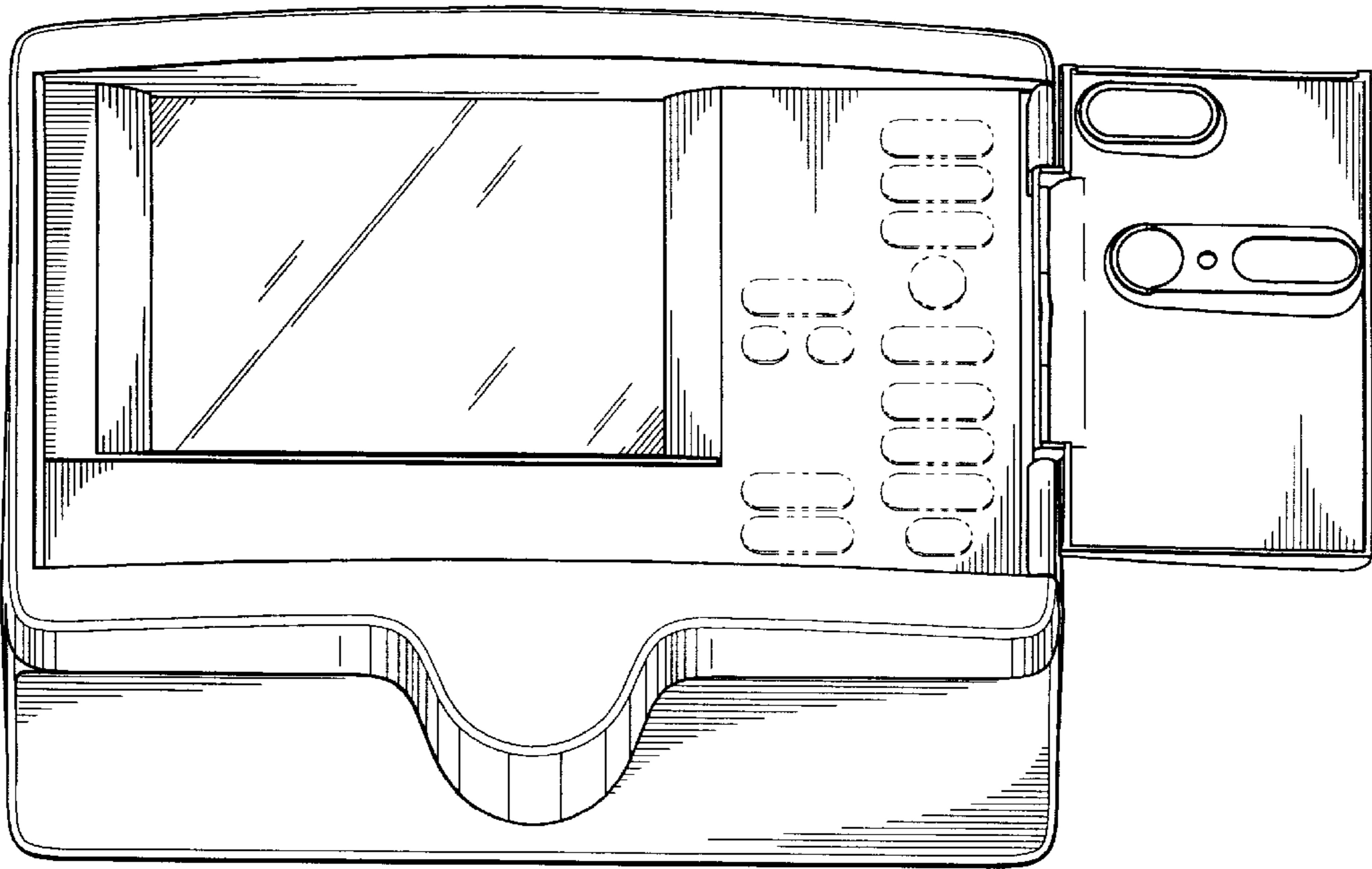
*Fig. 6.*



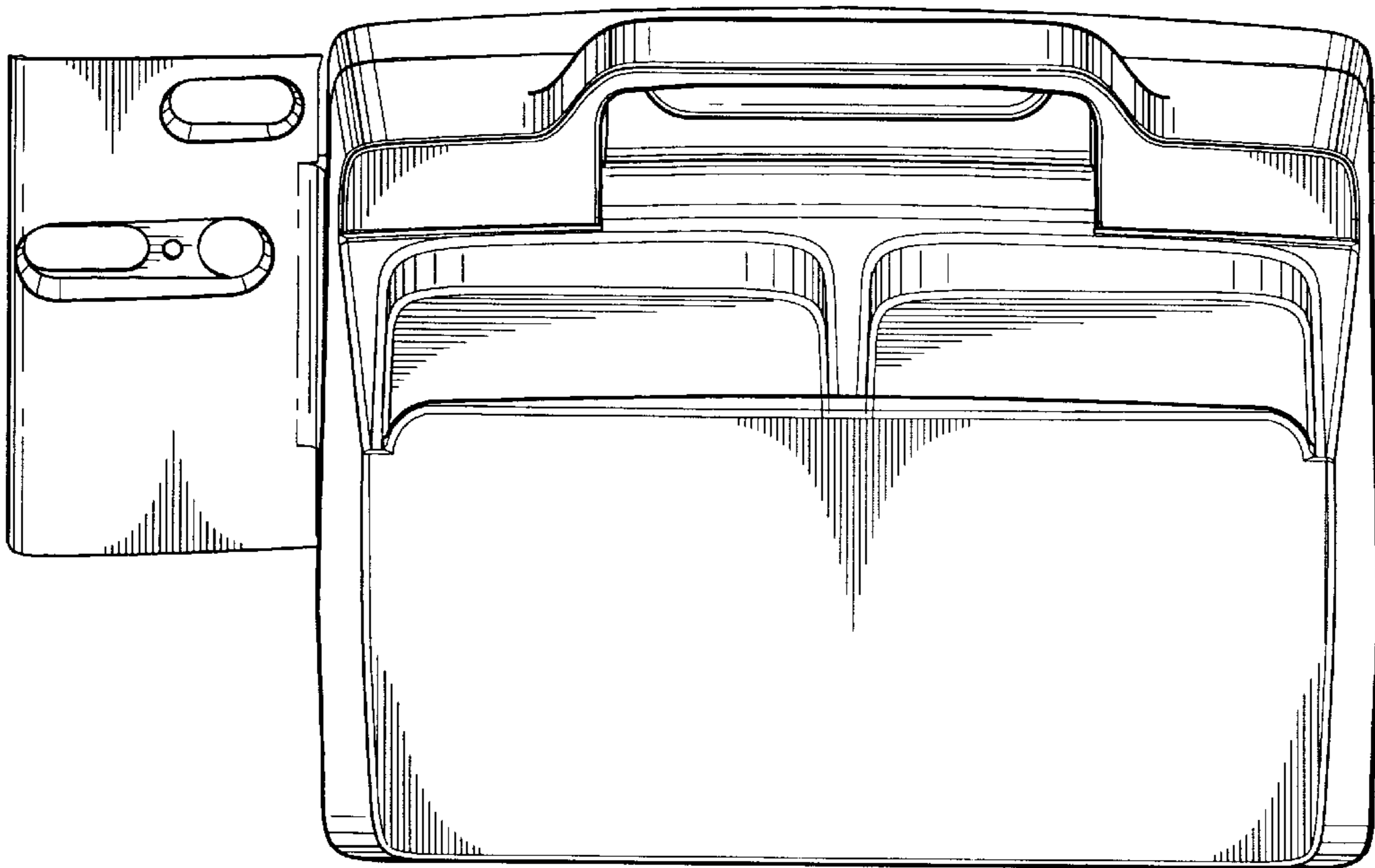
*Fig. 7.*

*Fig. 8.*



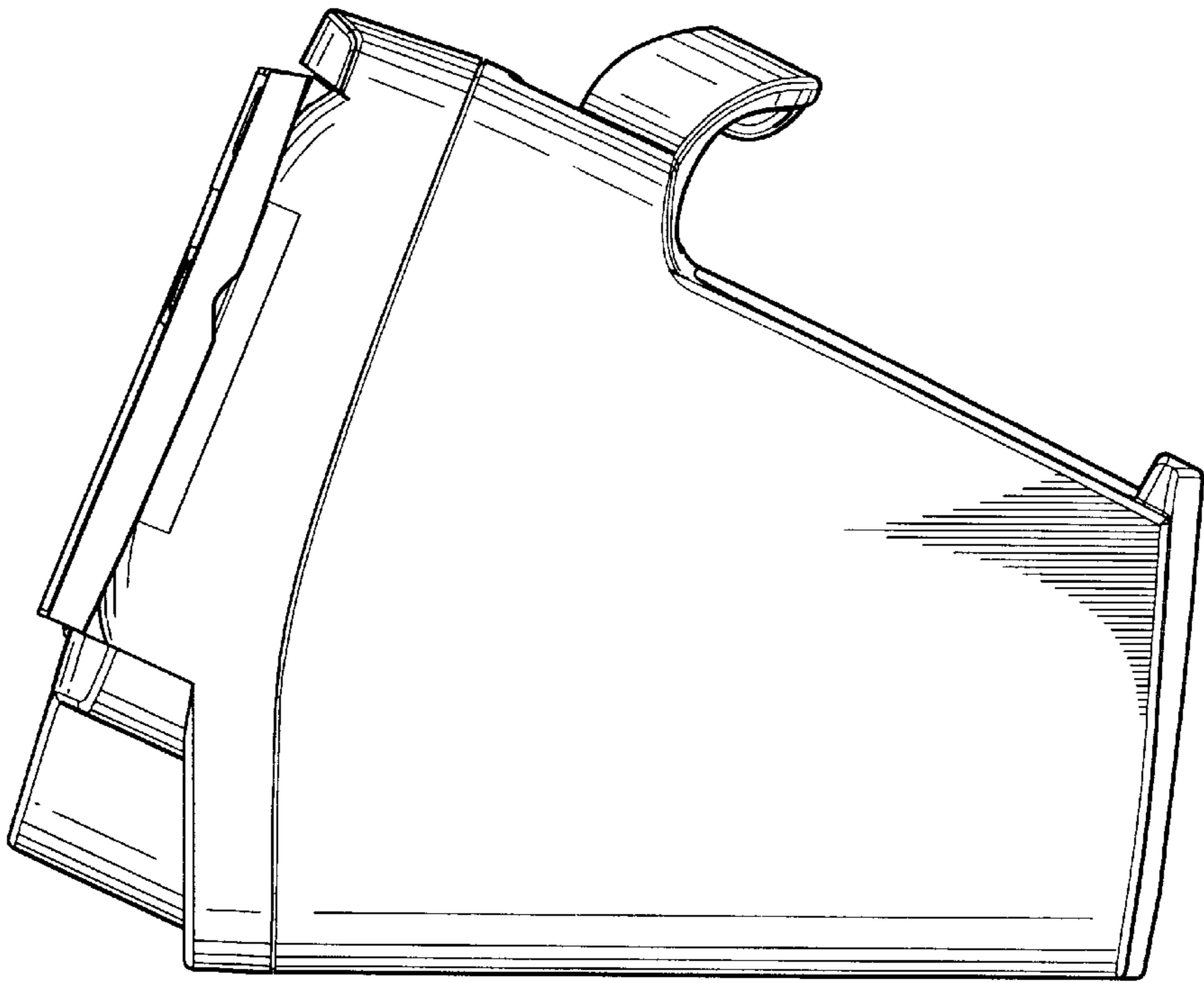


*Fig. 9.*

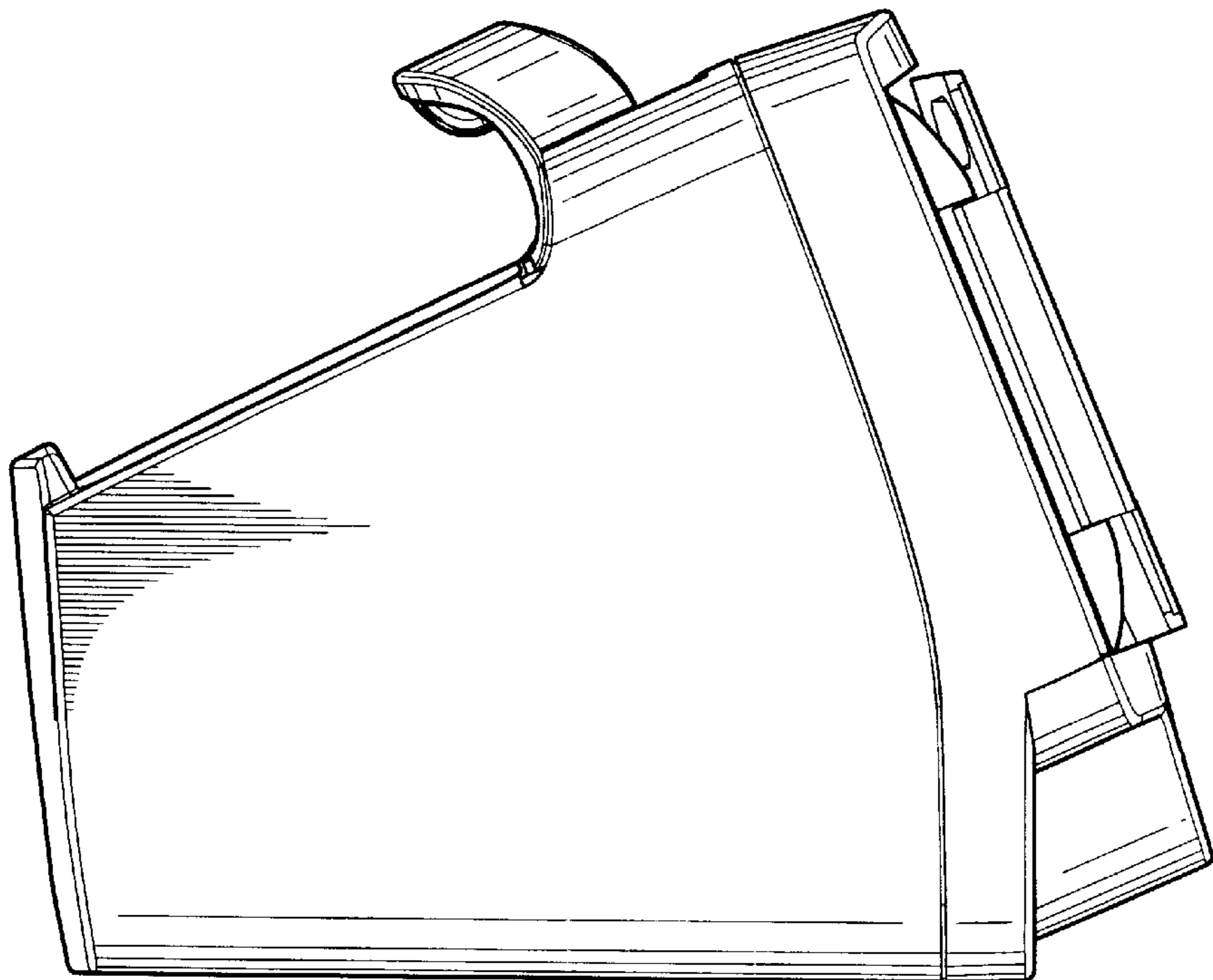


*Fig. 10.*



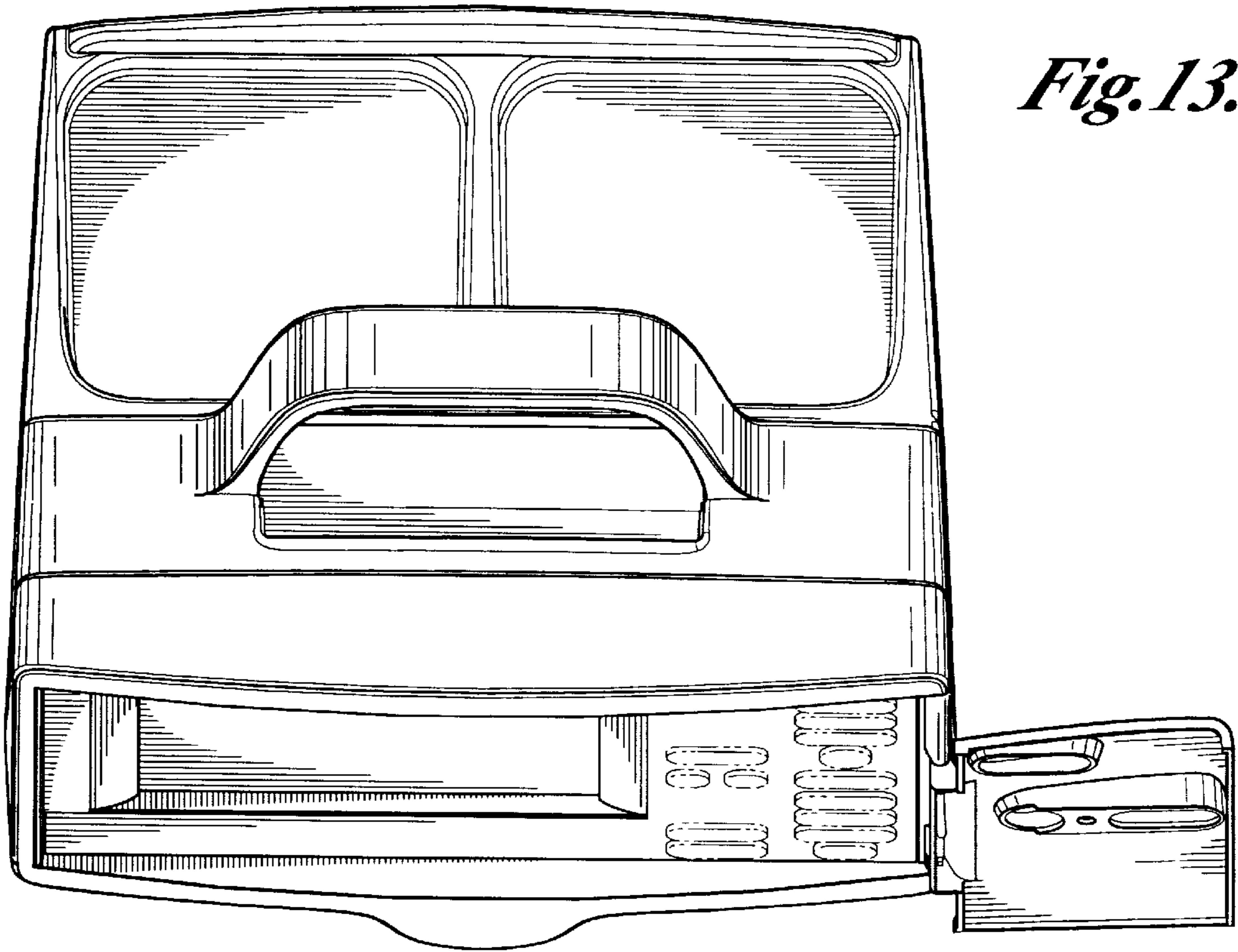


*Fig. 11.*

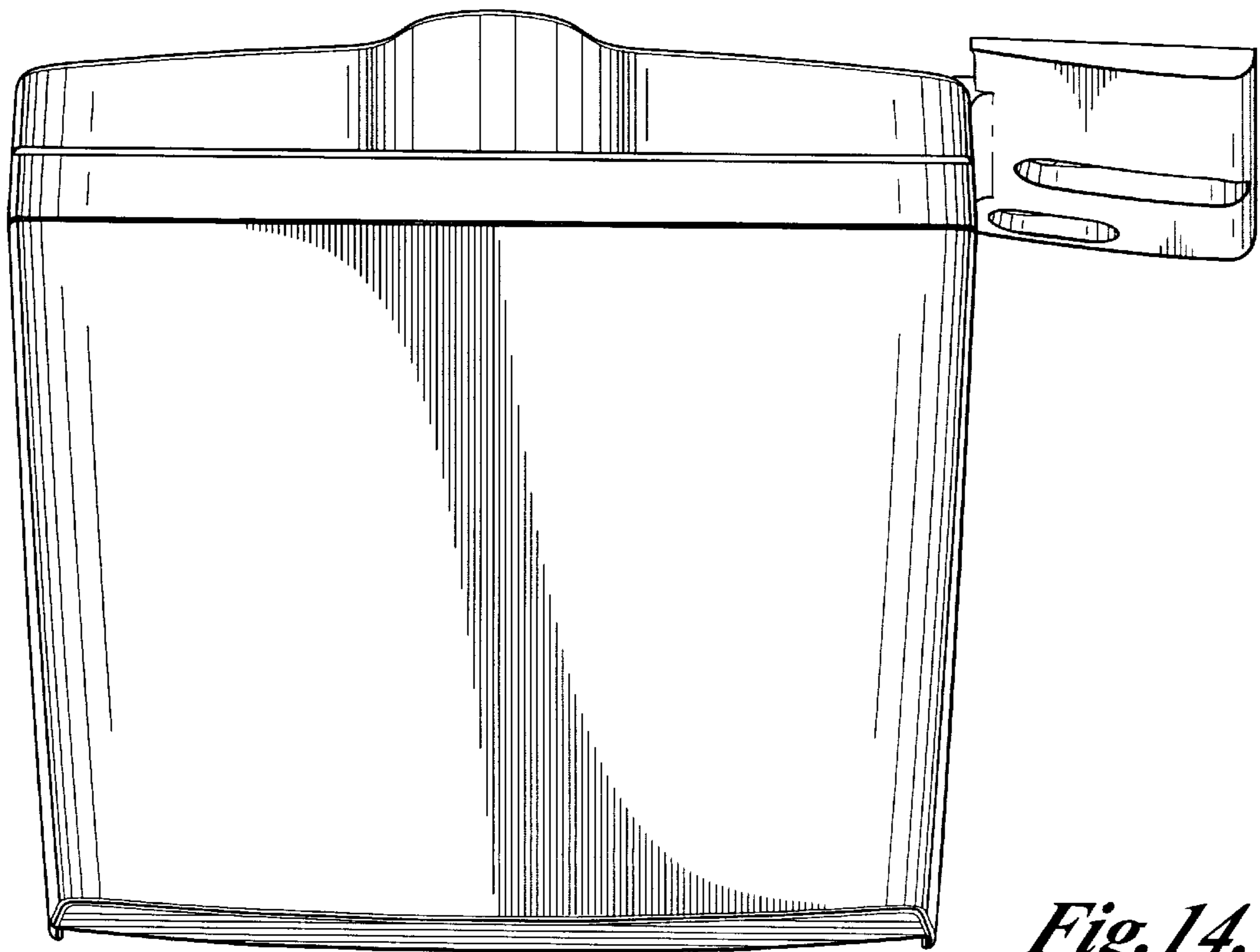


*Fig. 12.*





*Fig. 13.*



*Fig. 14.*