



US00D455490S

(12) **United States Design Patent**
Pascaloff

(10) **Patent No.:** **US D455,490 S**

(45) **Date of Patent:** **** *Apr. 9, 2002**

- (54) **SURGICAL SAW BLADE HUB**
- (75) Inventor: **John Pascaloff**, Keswick, VA (US)
- (73) Assignee: **Microaire Surgical Instruments, Inc.**,
Charlottesville, VA (US)
- (*) Notice: This patent is subject to a terminal disclaimer.
- (**) Term: **14 Years**

5,489,285 A *	2/1996	Goris	606/82
5,496,316 A *	3/1996	Goris	606/82
5,507,763 A *	4/1996	Petersen et al.	606/176
5,694,693 A *	12/1997	Hutchins et al.	30/166.3
5,722,978 A *	3/1998	Jenkins, Jr.	606/87
5,735,866 A *	4/1998	Adams et al.	606/178
D394,315 S *	5/1998	Fisher	D24/146
D404,485 S *	1/1999	Hutchins et al.	D24/146
D405,177 S *	2/1999	Hutchins et al.	D24/146
6,022,353 A *	2/2000	Fletcher et al.	606/79

* cited by examiner

- (21) Appl. No.: **29/096,177**
- (22) Filed: **Nov. 6, 1998**
- (51) **LOC (7) Cl.** **24-02**
- (52) **U.S. Cl.** **D24/146**
- (58) **Field of Search** D24/146, 147;
606/176, 177, 178, 179, 79, 82, 169, 171;
30/166.3; 206/363

Primary Examiner—Ian Simmons

(74) *Attorney, Agent, or Firm*—McGuire Woods LLP

(57) **CLAIM**

I claim the ornamental design for a surgical saw blade hub, as shown.

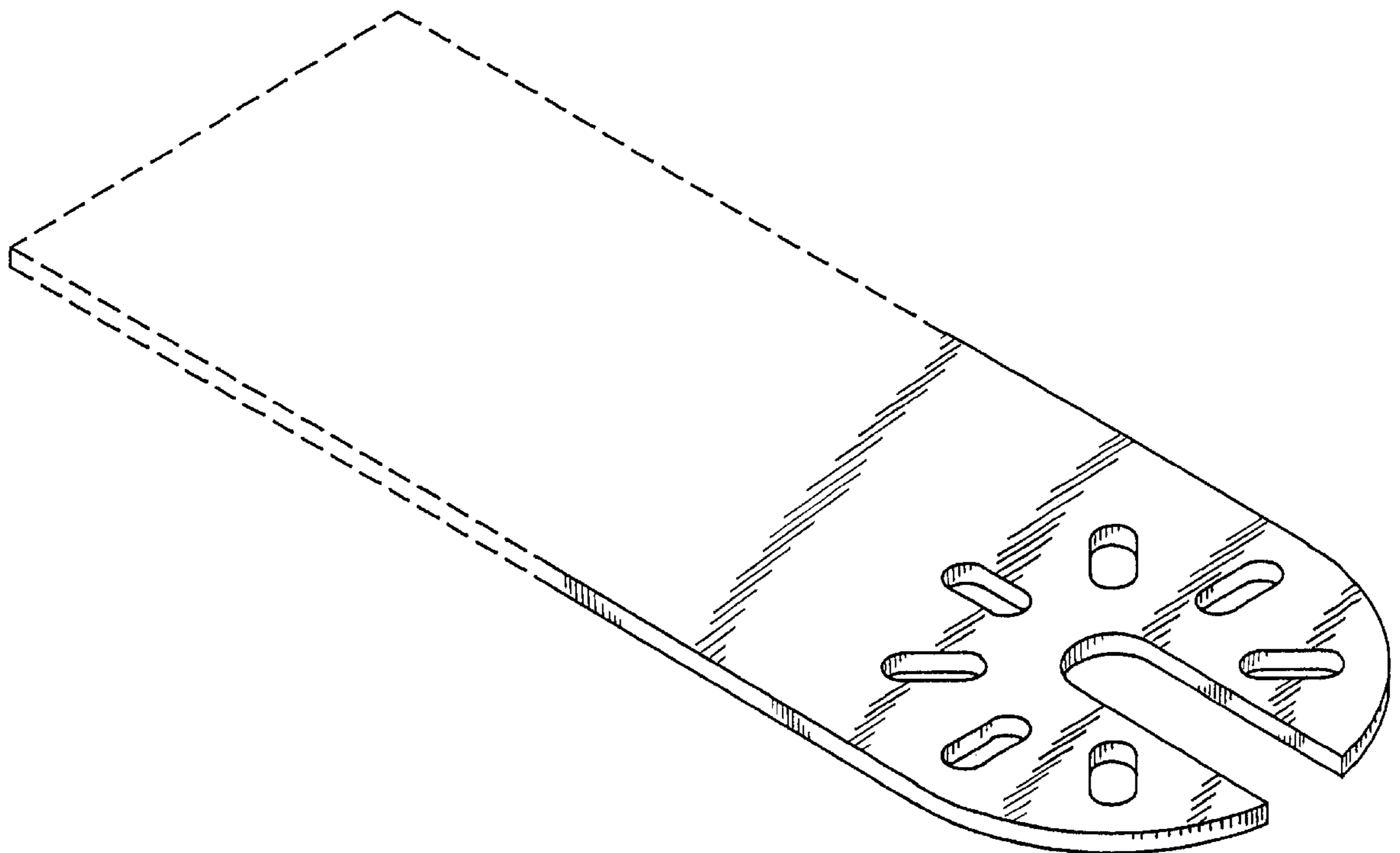
DESCRIPTION

FIG. 1 is a top plan view of a surgical saw blade hub;
 FIG. 2 is a side elevational view of the surgical saw blade hub;
 FIG. 3 is a front elevational view of the surgical saw blade hub; and,
 FIG. 4 is a top perspective view of the surgical saw blade hub.

The broken line showing is for illustrative purposes only and forms no part of the claimed design.

1 Claim, 3 Drawing Sheets

- (56) **References Cited**
- U.S. PATENT DOCUMENTS
- 5,122,142 A * 6/1992 Pascaloff 606/82
- D343,247 S * 1/1994 Walen D24/146
- 5,392,910 A * 2/1995 Bell et al. 206/363
- 5,403,318 A * 4/1995 Boehringer et al. 606/82
- 5,423,845 A * 6/1995 McDaniel 606/176
- D360,946 S * 8/1995 Goris D24/146
- D362,065 S * 9/1995 Goris D24/146



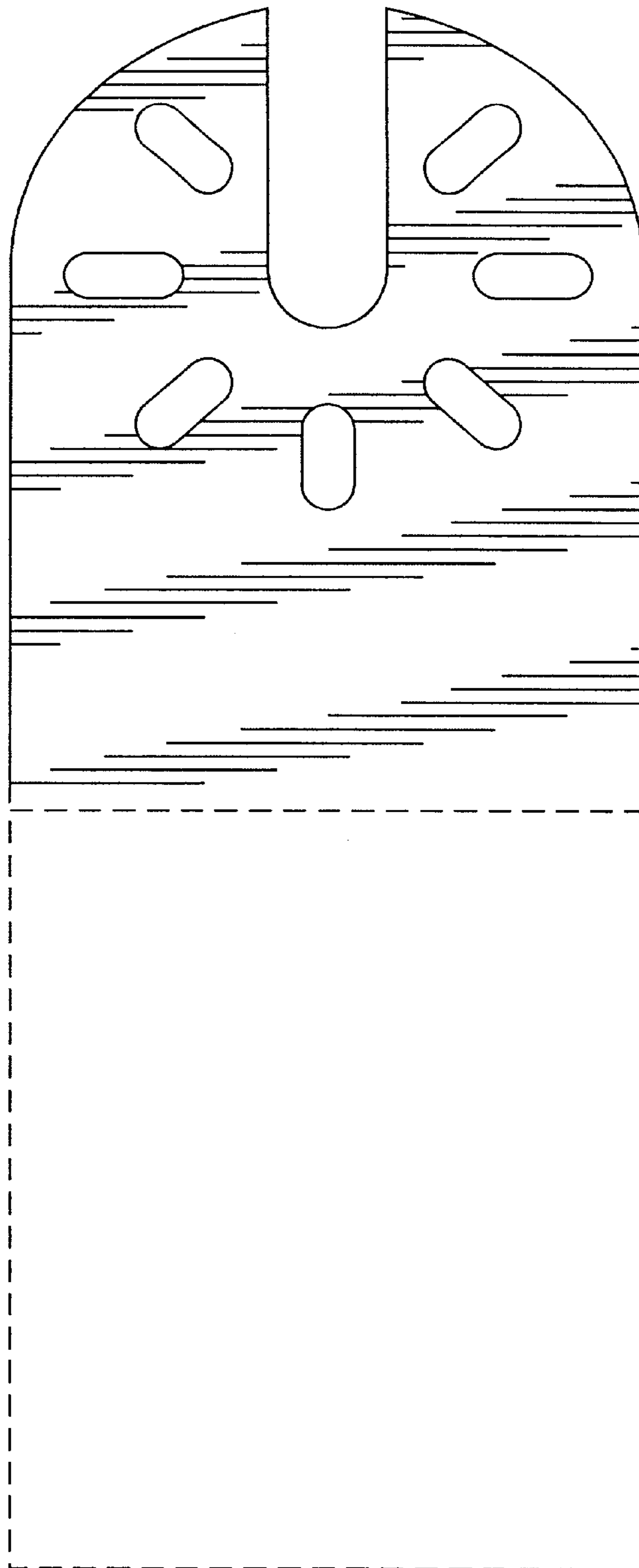


FIG. 1

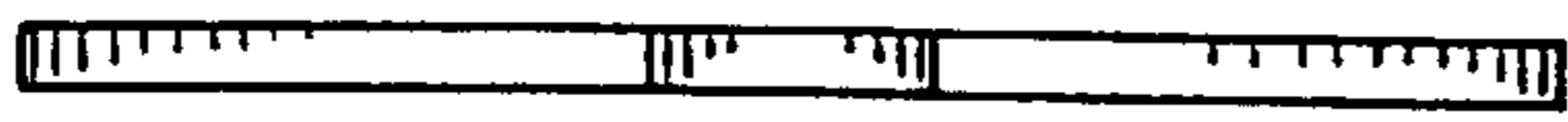


FIG. 2

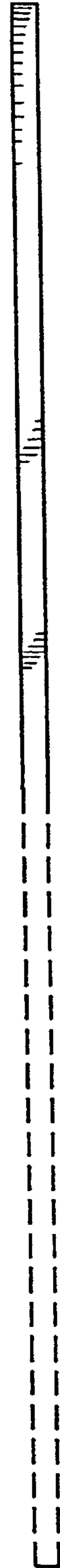


FIG. 3

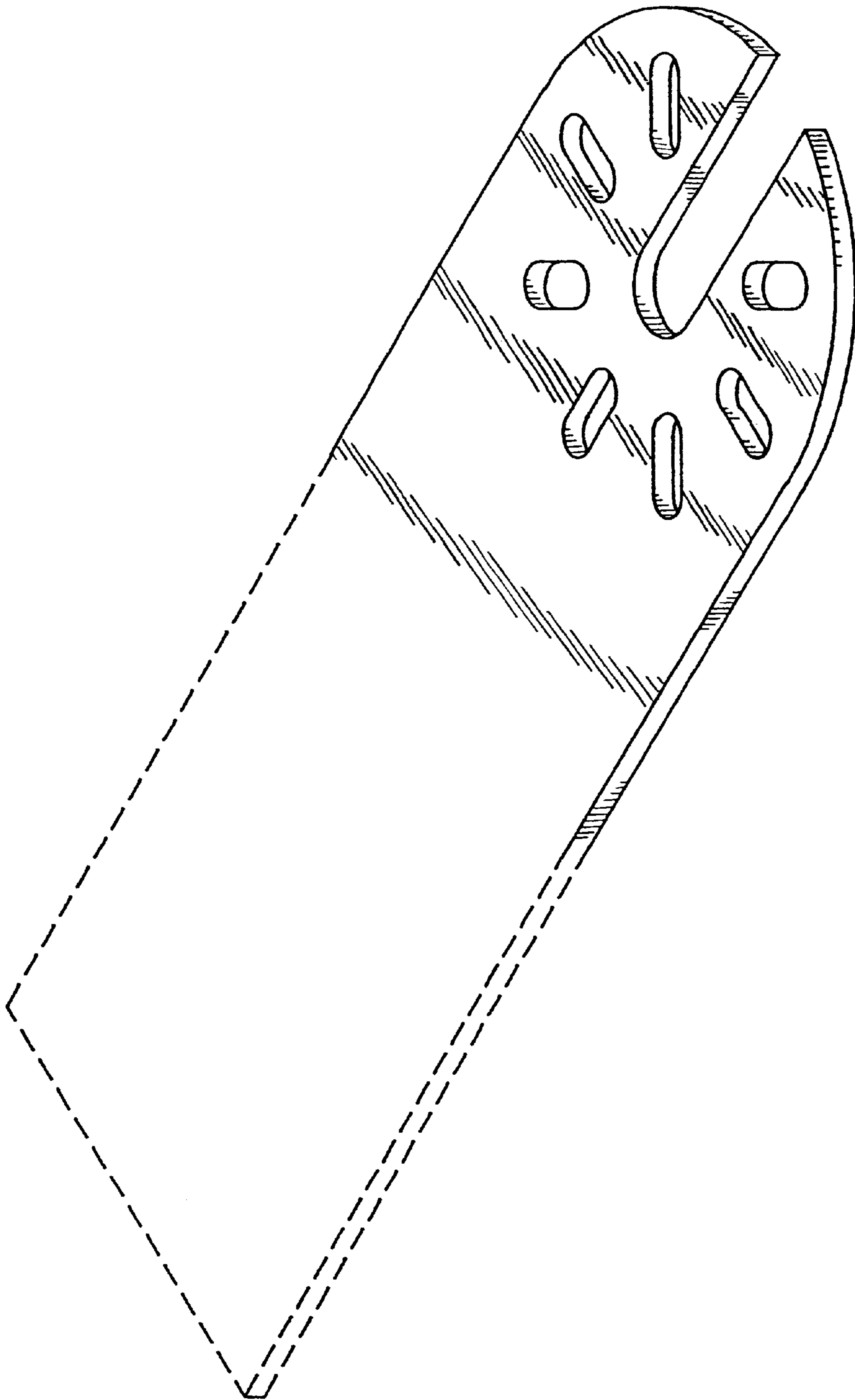


FIG.4