



US00D455489S

(12) **United States Design Patent**  
**Beck et al.**

(10) **Patent No.:** **US D455,489 S**

(45) **Date of Patent:** **\*\* Apr. 9, 2002**

(54) **ENTERAL FEEDING PUMP CASSETTE**

(75) Inventors: **Kent F. Beck**, Layton; **Scott D. Miles**, Sandy, both of UT (US)

(73) Assignee: **Zevex, Inc.**, Salt Lake City, UT (US)

(\*\*) Term: **14 Years**

(21) Appl. No.: **29/140,481**

(22) Filed: **Apr. 16, 2001**

(51) **LOC (7) Cl.** ..... **24-02**

(52) **U.S. Cl.** ..... **D24/111**

(58) **Field of Search** ..... D24/111, 129;  
417/474, 477.1, 477.2, 479, 478, 477.6,  
360; 128/DIG. 12; 604/153, 246, 67, 151,  
249

(56) **References Cited**

**U.S. PATENT DOCUMENTS**

- 4,950,245 A \* 8/1990 Brown et al. .... D24/111
- D357,312 S \* 4/1995 Riquier et al. .... D24/111
- 5,482,446 A \* 1/1996 Williamson et al. .... 417/474

\* cited by examiner

*Primary Examiner*—Ian Simmons

(74) *Attorney, Agent, or Firm*—Morriss Bateman O’Bryant & Compagni, P.C.

(57) **CLAIM**

The ornamental design for an enteral feeding pump cassette, as shown and described.

**DESCRIPTION**

FIG. 1 shows a perspective view of a enteral feeding pump cassette made in accordance with the design of the present invention;

FIG. 2 shows a bottom perspective view of the enteral feeding pump cassette of FIG. 1;

FIG. 3 shows a top view of the enteral feeding pump cassette of FIG. 1;

FIG. 4 shows a right side view of the enteral feeding pump cassette of FIG. 1;

FIG. 5 shows a left side view of the enteral feeding pump cassette of FIG. 1;

FIG. 6 shows an end view of the enteral feeding pump cassette of FIG. 1; and,

FIG. 7 shows an opposing end of the enteral feeding pump cassette of FIG. 1.

**1 Claim, 2 Drawing Sheets**

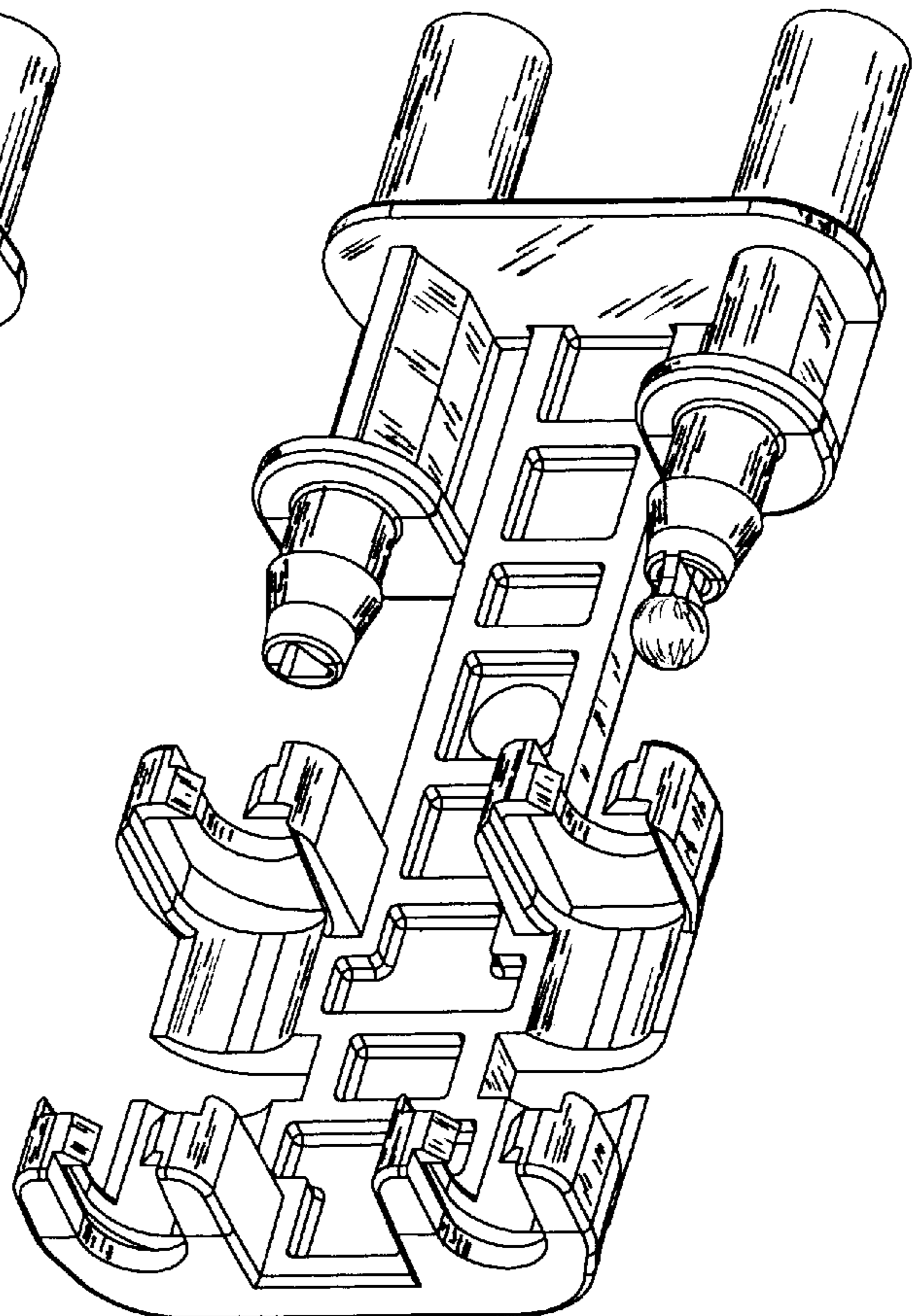
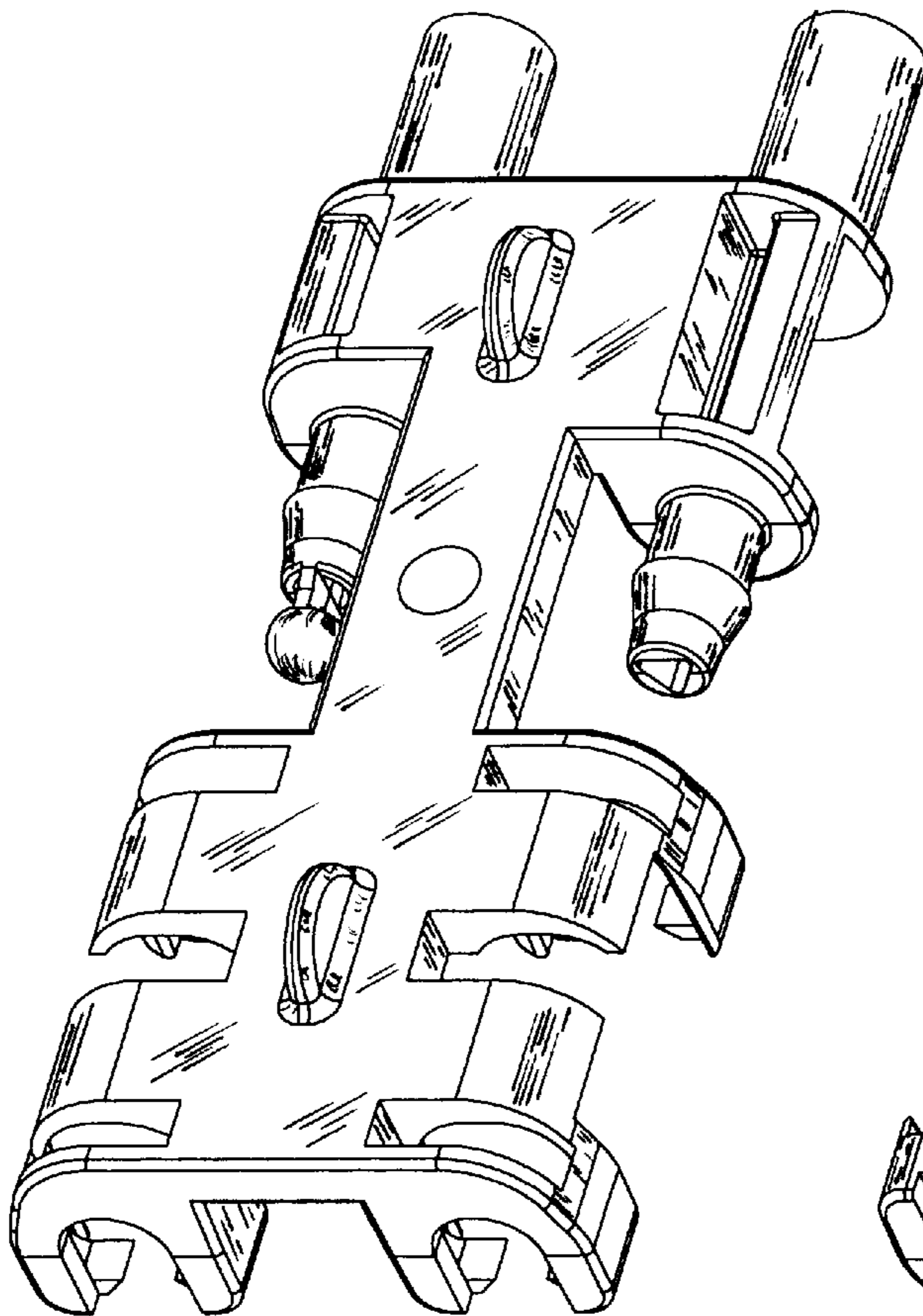


FIG. 3

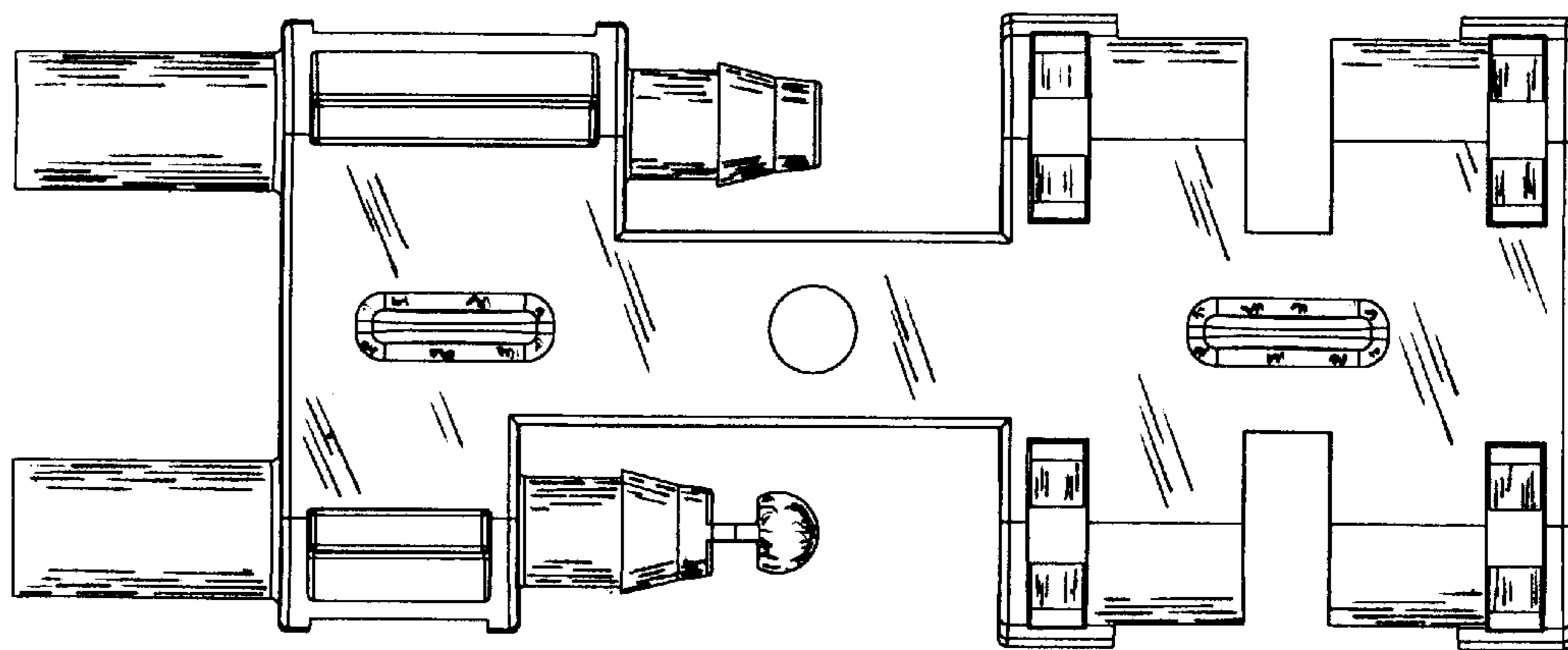


FIG. 2

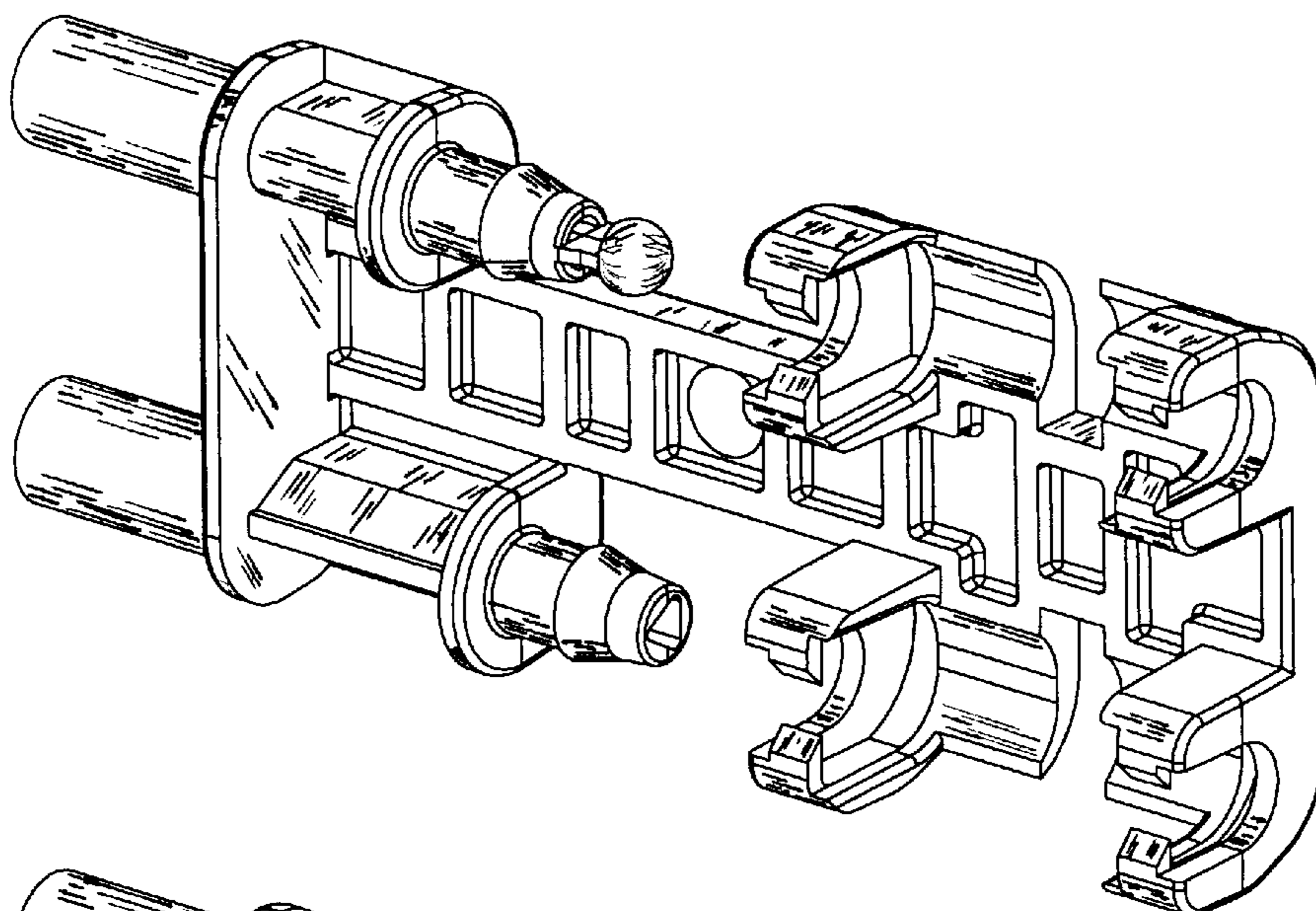


FIG. 1

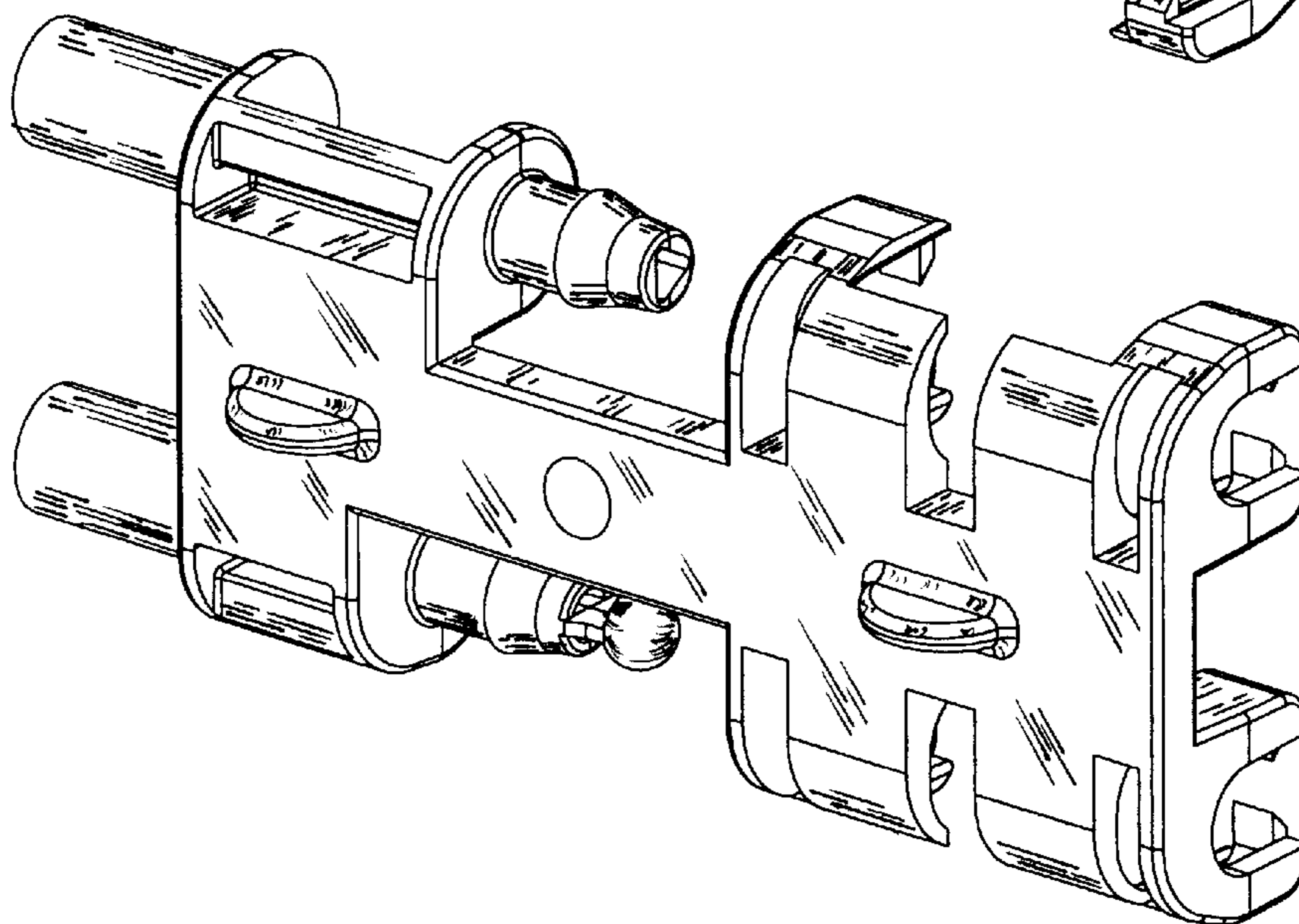


FIG. 6

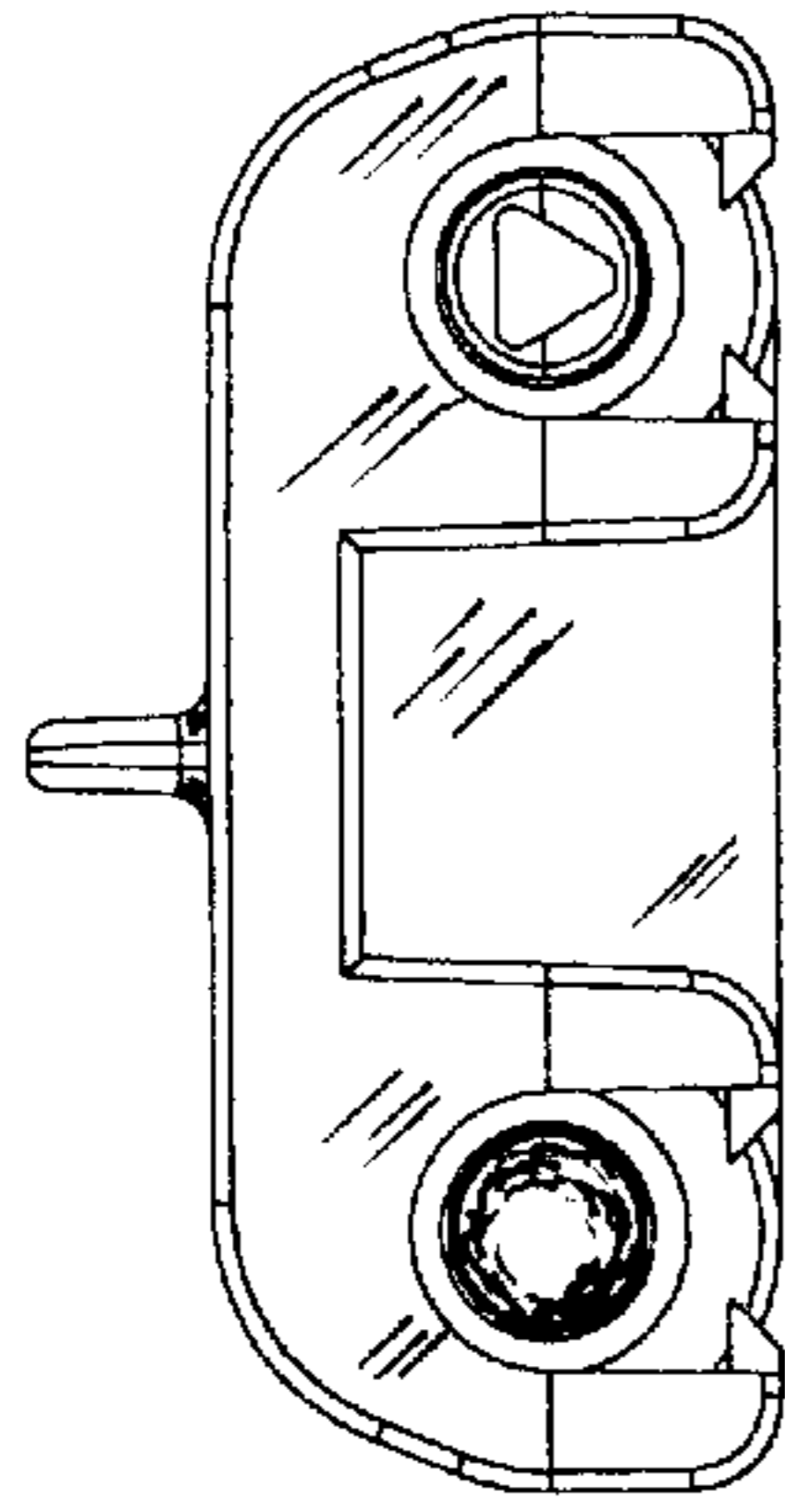


FIG. 7

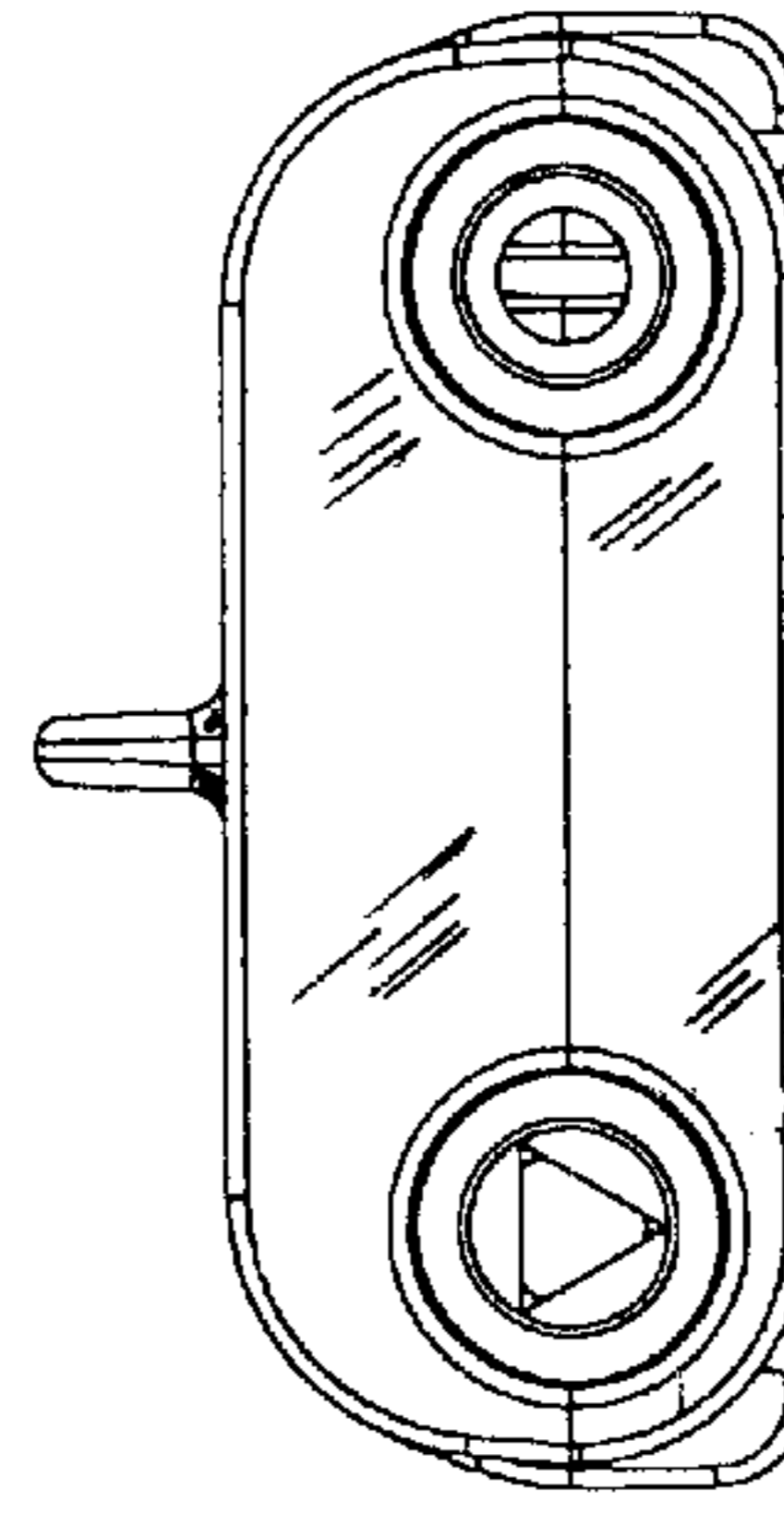


FIG. 5

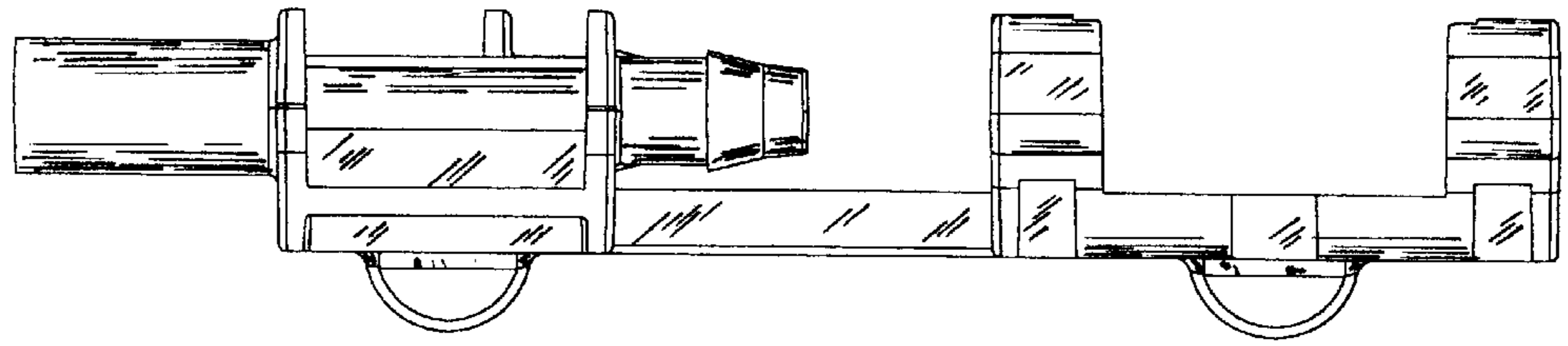


FIG. 4

