



US00D455484S

(12) **United States Design Patent**
Hensel

(10) **Patent No.:** **US D455,484 S**

(45) **Date of Patent:** **** Apr. 9, 2002**

(54) **WALL-MOUNTABLE COMBINED AIR FRESHENER AND DISPENSER FOR THREAD OR RIBBON-LIKE PRODUCTS**

Primary Examiner—Brian N. Vinson
(74) *Attorney, Agent, or Firm*—Levy & Grandinetti

(76) **Inventor:** **Keith James Hensel**, 15 Bongalong Street, Naremburn, New South Wales 2065 (AU)

(57) **CLAIM**

The ornamental design for a wall-mountable combined air freshener and dispenser for thread or ribbon-like products, as shown and described.

(**) **Term:** **14 Years**

DESCRIPTION

(21) **Appl. No.:** **29/126,102**

FIG. 1 is a top, front, and right side perspective view of a wall-mountable combined air freshener and dispenser for thread or ribbon-like products showing my new design in an uncompressed state;

(22) **Filed:** **Jul. 11, 2000**

FIG. 2 is a top, front, and right side perspective view thereof in a compressed state;

(30) **Foreign Application Priority Data**

Jan. 12, 2000 (AU) 80/00

FIG. 3 is a top, rear, and right side perspective view thereof in an uncompressed state;

(51) **LOC (7) Cl.** **23-04**

(52) **U.S. Cl.** **D23/366**

FIG. 4 is a top, rear, and right side perspective view thereof in a compressed state;

(58) **Field of Search** D23/355, 366, D23/368; 261/DIG. 65; 239/57-60; 422/121, 122, 305; 222/180, 645-648

FIG. 5 is a top plan view thereof;

(56) **References Cited**

U.S. PATENT DOCUMENTS

- D407,477 S * 3/1999 Chen D23/366
- D434,485 S * 11/2000 Furner D23/366
- D438,608 S * 3/2001 Chen D23/366
- D443,924 S * 6/2001 Renella D23/366

FIG. 6 is a left side elevational view thereof;

FIG. 7 is a front elevational view thereof;

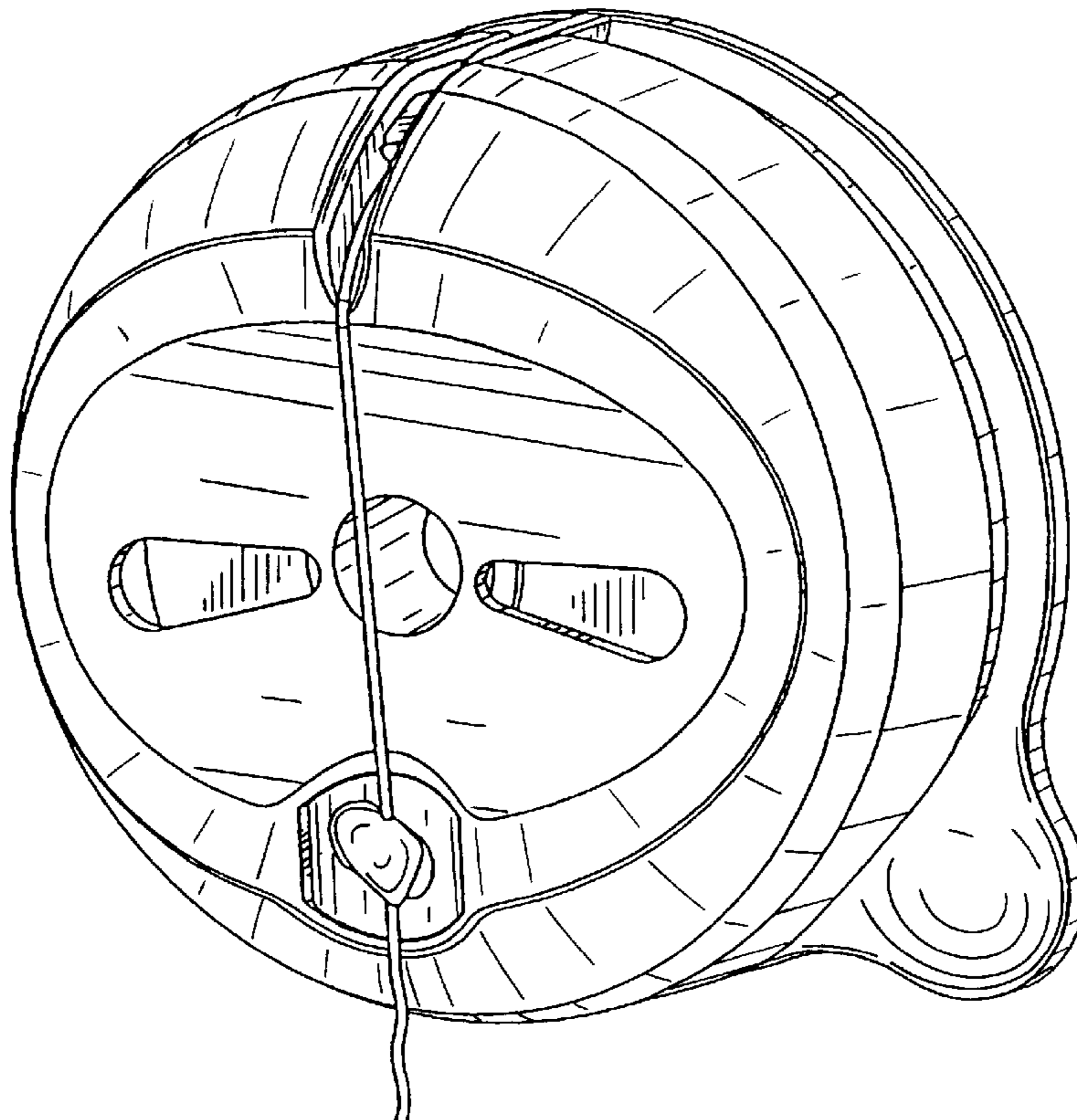
FIG. 8 is a rear elevational view thereof;

FIG. 9 is a right side elevational view thereof; and,

FIG. 10 is a rear elevational view thereof.

* cited by examiner

1 Claim, 4 Drawing Sheets



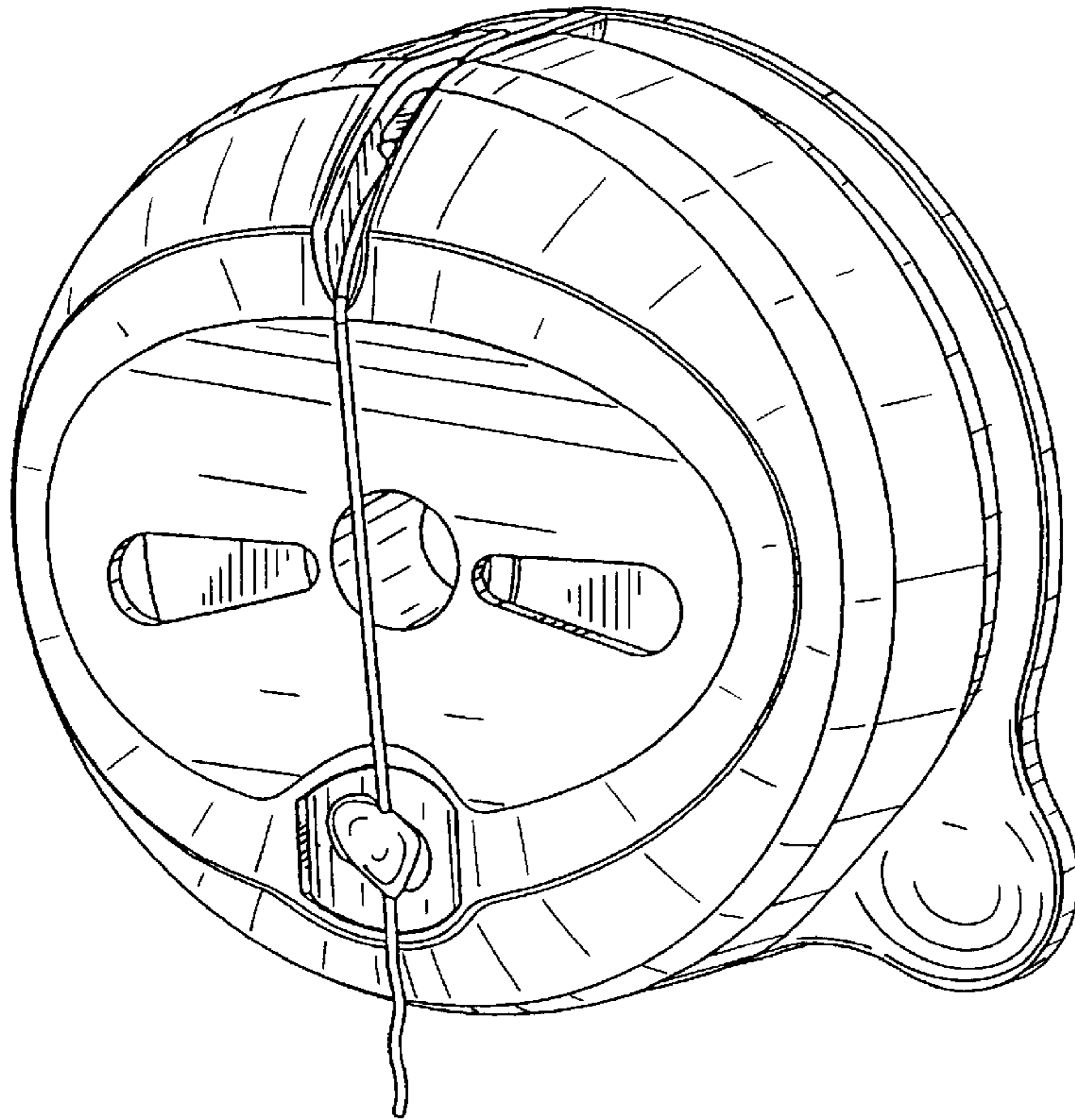


FIG. 1

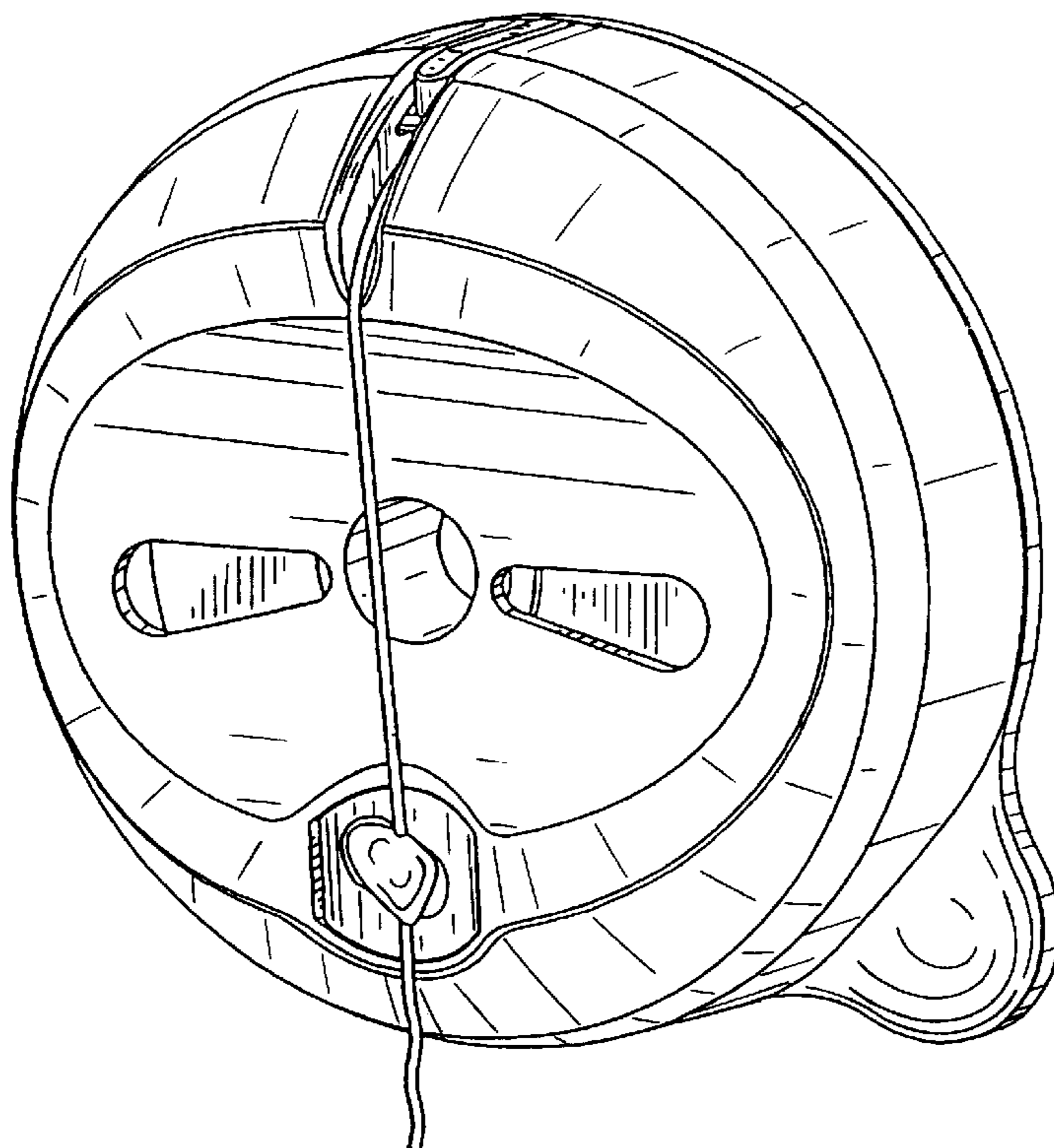


FIG 2

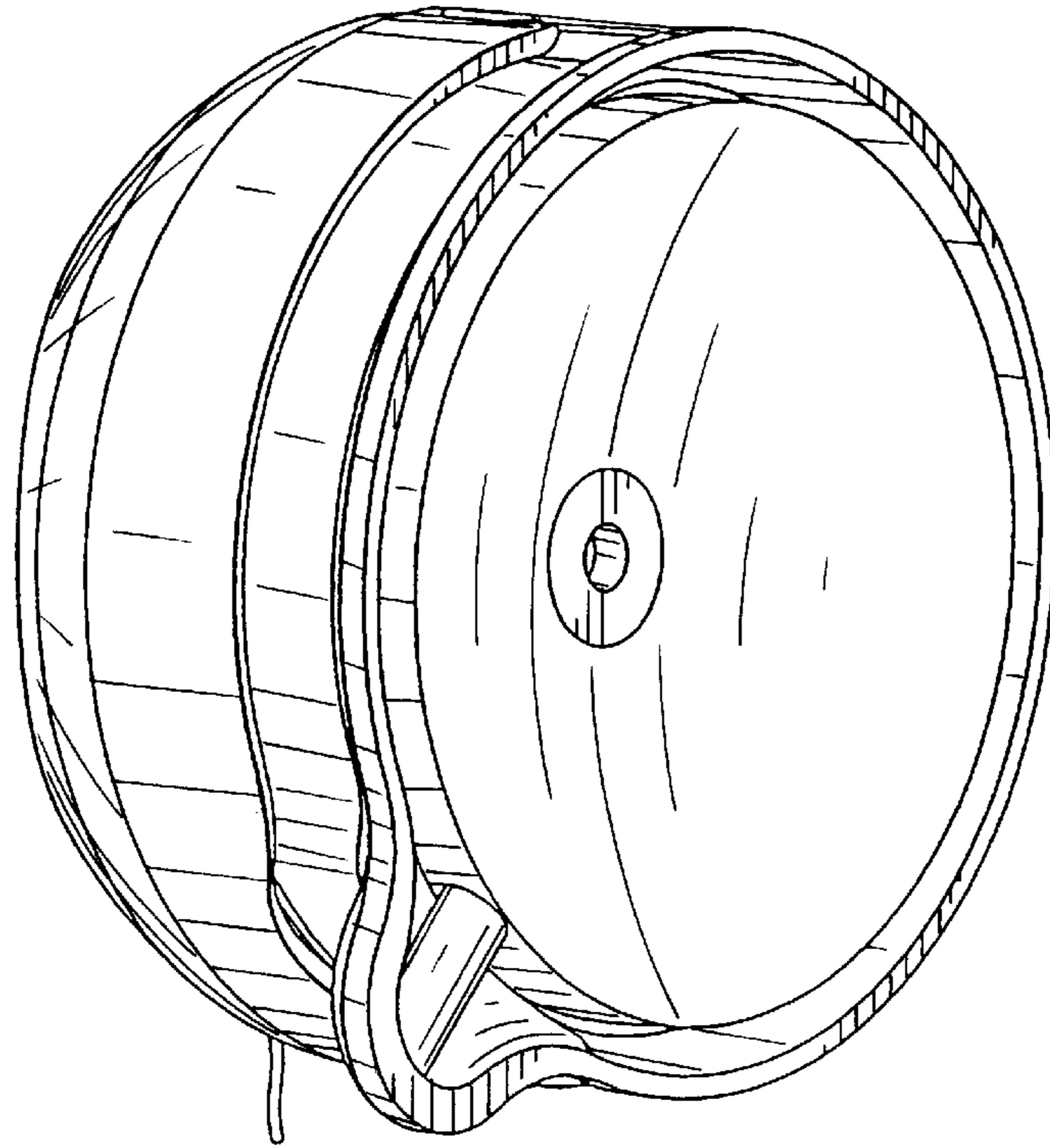


FIG 3

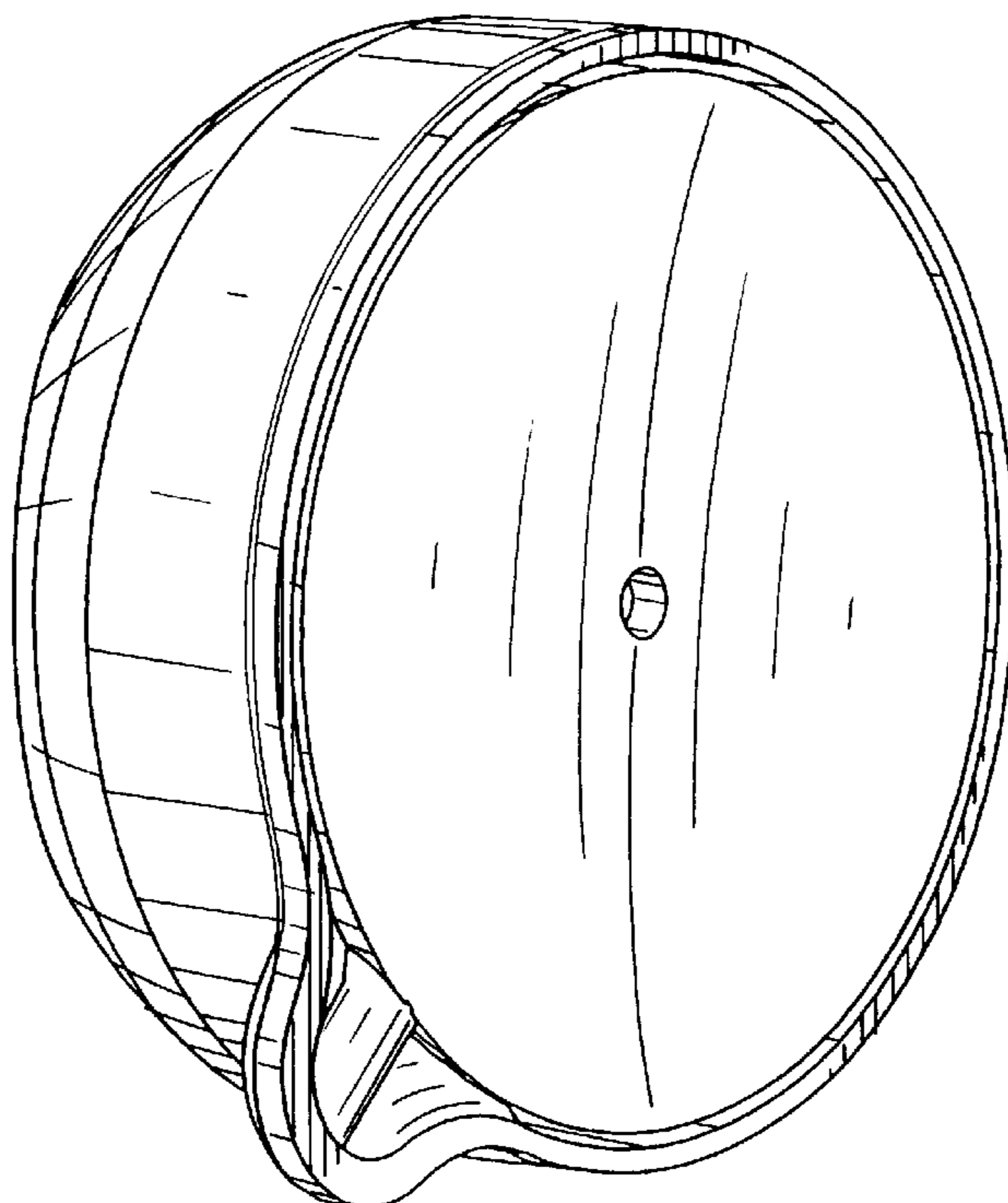


FIG 4

FIG 5

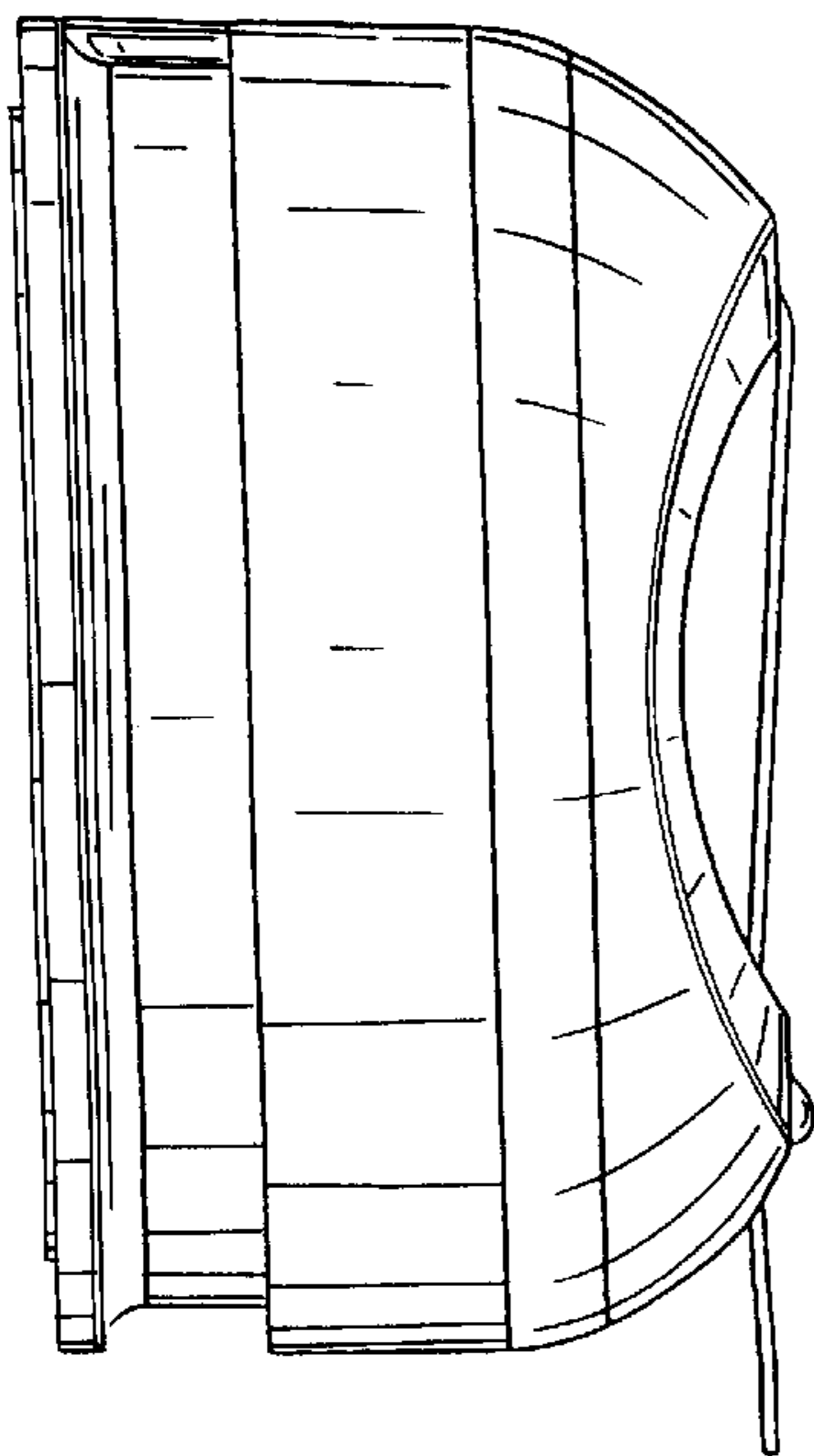
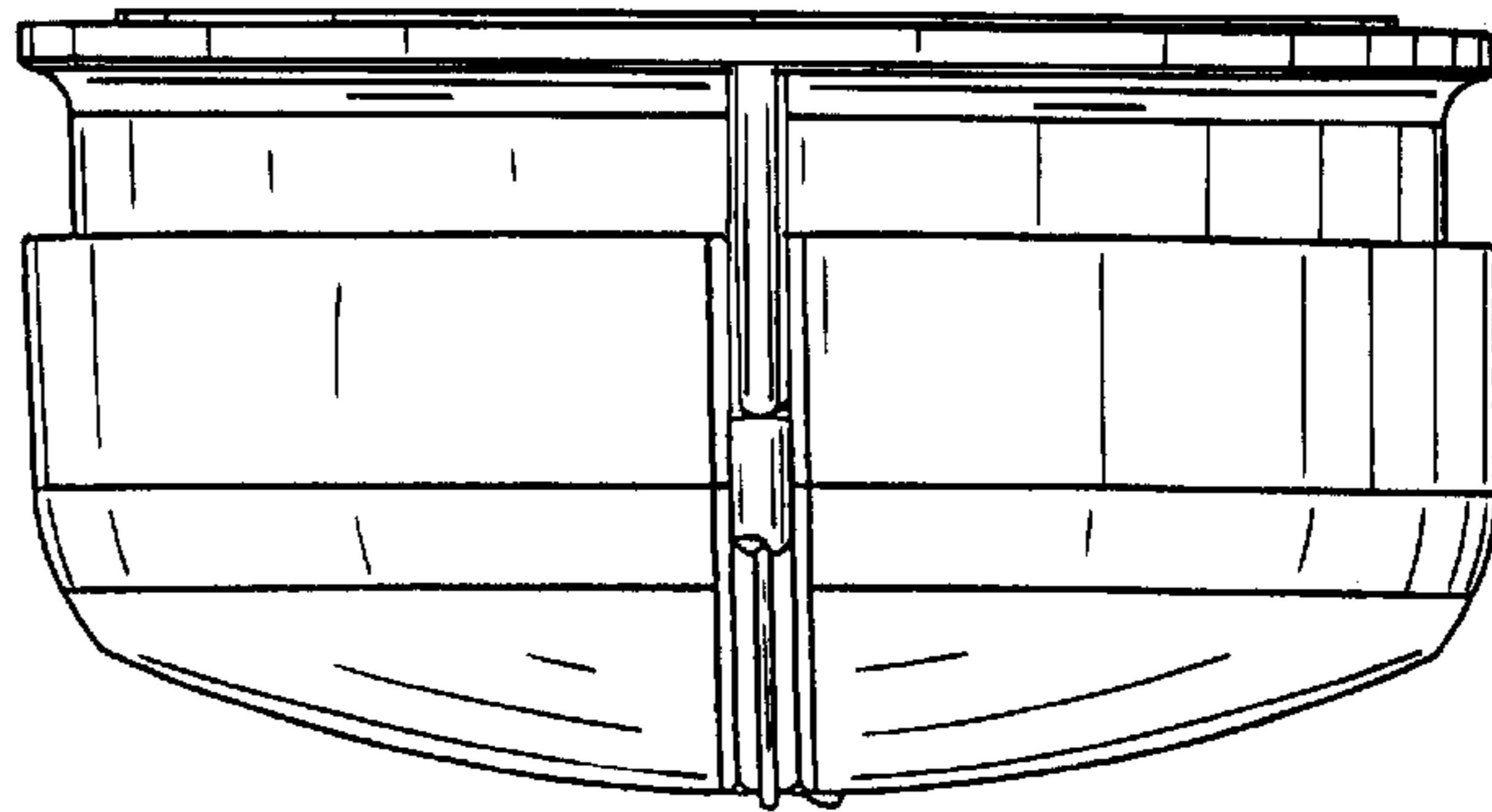


FIG 6

FIG 7

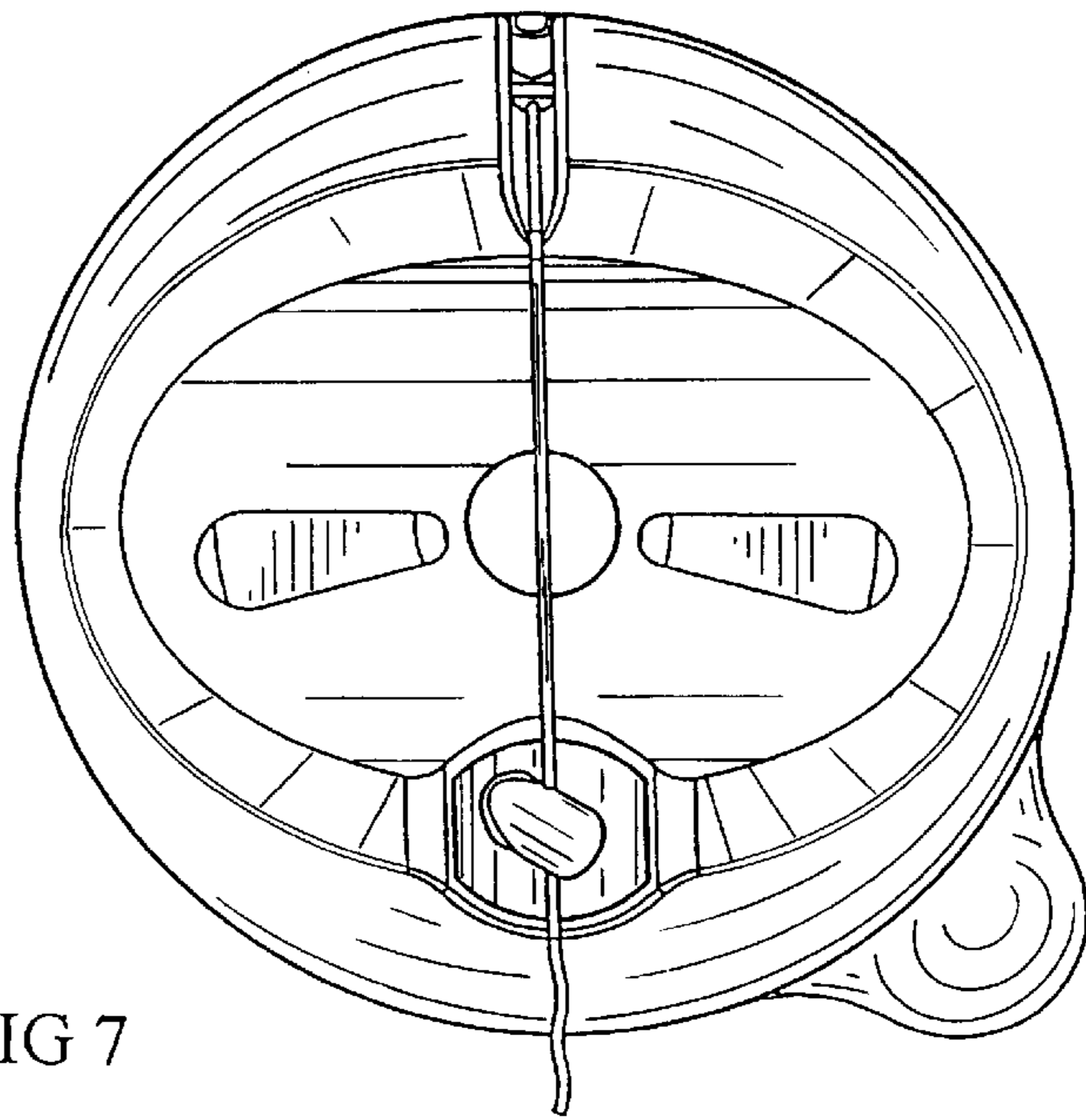
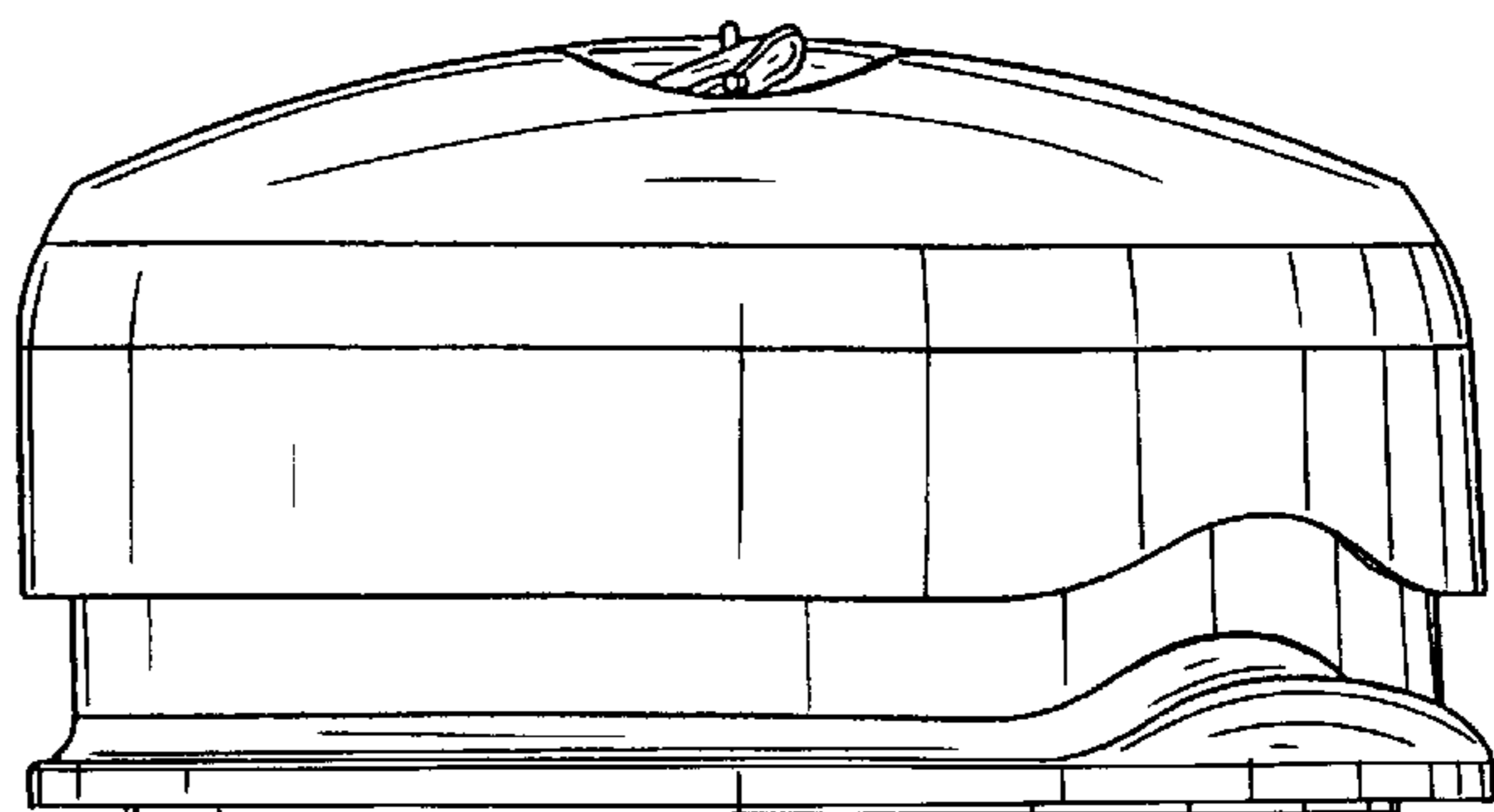


FIG 8



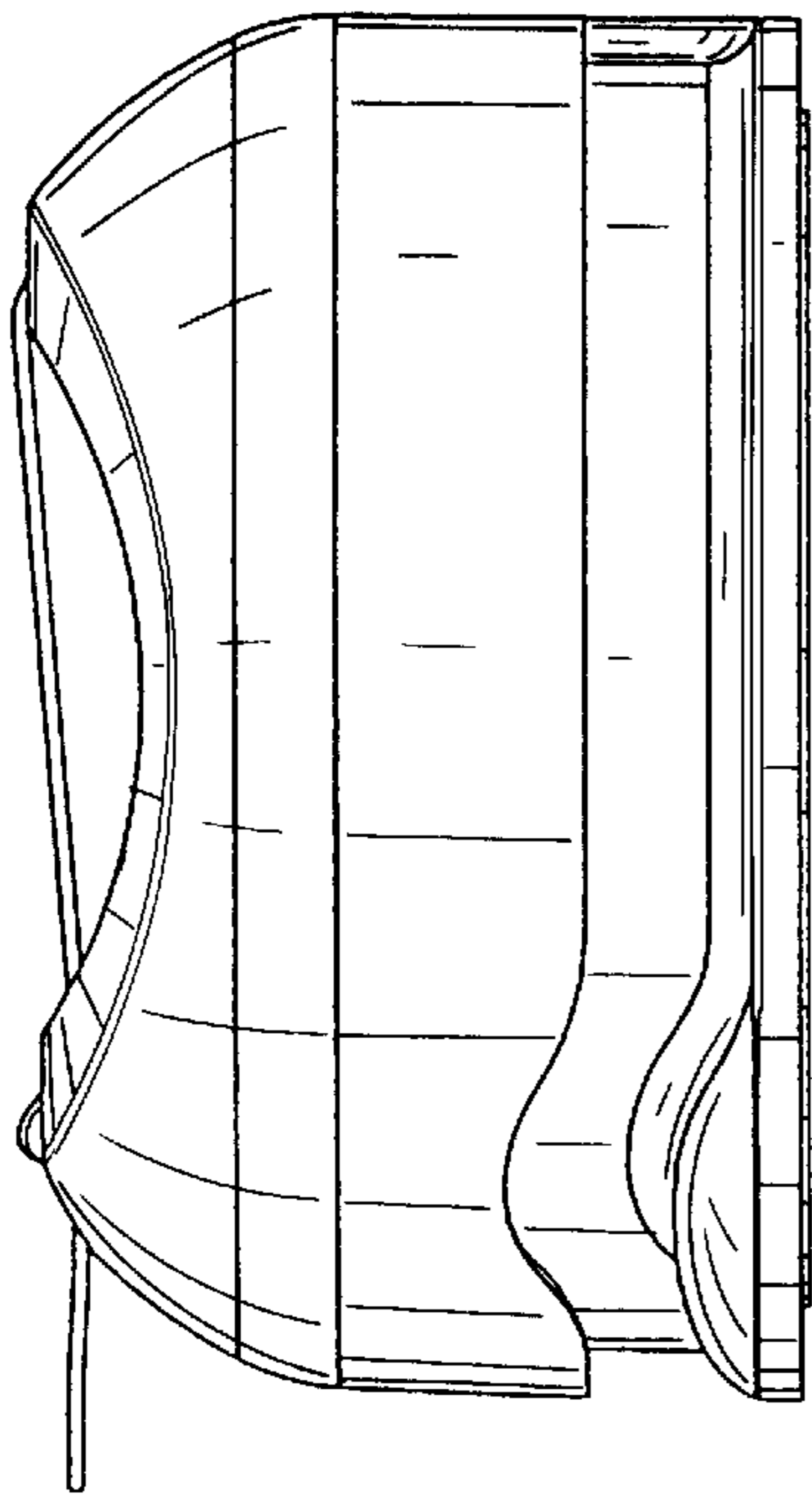


FIG 9

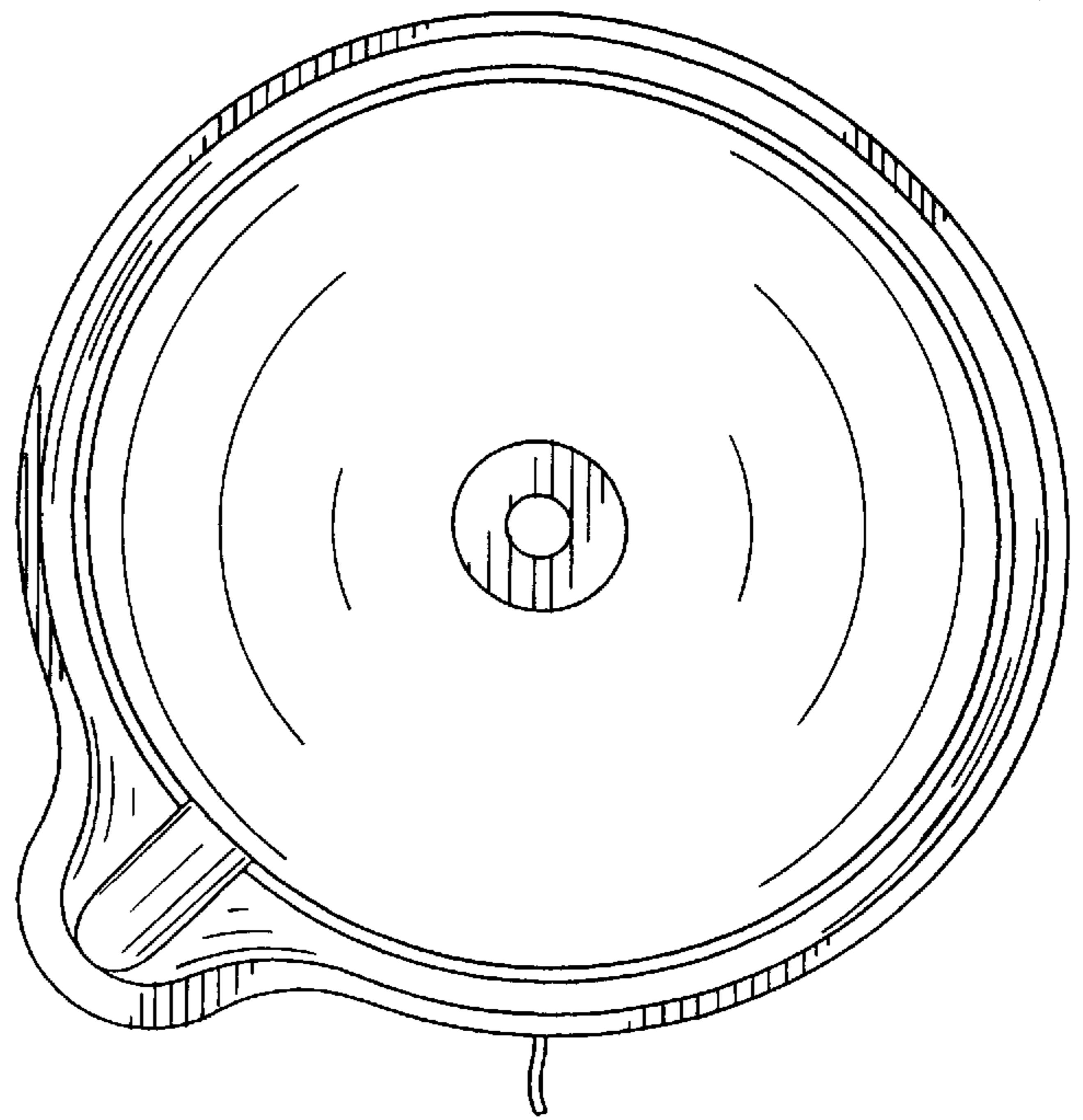


FIG 10