



US00D455481S

(12) **United States Design Patent**
Christianson

(10) **Patent No.:** **US D455,481 S**

(45) **Date of Patent:** **** Apr. 9, 2002**

(54) **PERSONAL COOLER**

FOREIGN PATENT DOCUMENTS

(75) Inventor: **Tristan M. Christianson**, San Francisco, CA (US)

WO WO 99/11988 3/1999

(73) Assignee: **Sharper Image Corporation**, San Francisco, CA (US)

OTHER PUBLICATIONS

Sharper Image Corporation, *The Sharper Image Catalog*, May 1999.

(**) Term: **14 Years**

* cited by examiner

(21) Appl. No.: **29/107,209**

Primary Examiner—B. J. Bullock

(22) Filed: **Jun. 29, 1999**

(74) *Attorney, Agent, or Firm*—Fliesler Dubb Meyer & Lovejoy LLP

(51) **LOC (7) Cl.** **23-04**

(57) **CLAIM**

(52) **U.S. Cl.** **D23/351; D24/206**

The ornamental design for a personal cooler, as shown and described.

(58) **Field of Search** D23/314, 333,
D23/351, 332; D24/206, 207; 607/109,
112; 62/314, 259.3, 127, 231, 457.9; D10/49,
50, 52, 53; 261/27

DESCRIPTION

(56) **References Cited**

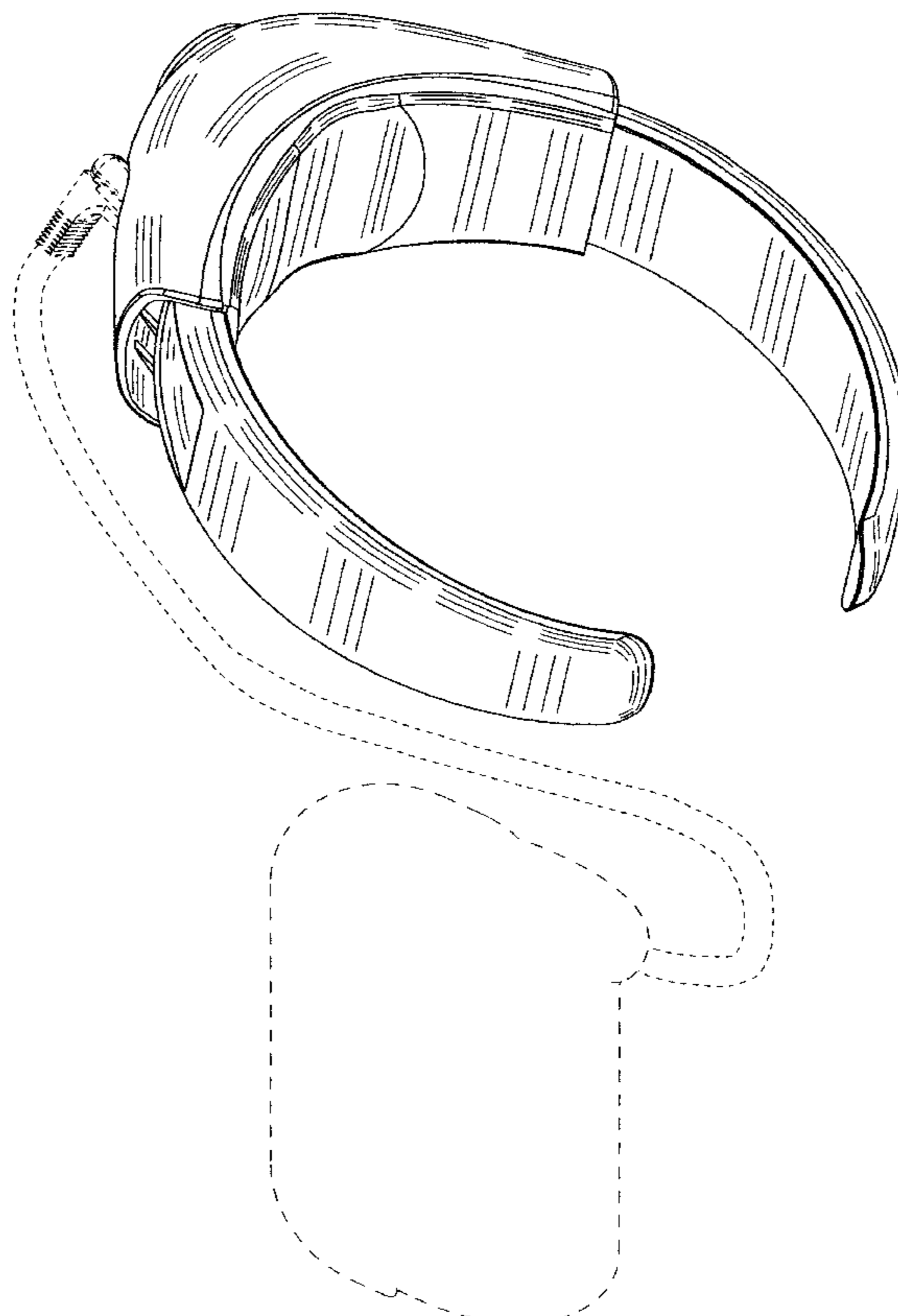
U.S. PATENT DOCUMENTS

1,616,961	A	*	2/1927	Carter	D24/207
1,964,655	A	*	6/1934	Williamson	D24/207
2,250,840	A	*	7/1941	Pomeranz	D24/207
4,204,543	A	*	5/1980	Henderson	D24/207
4,998,415	A	*	3/1991	Larsen	62/259.3
D328,792	S	*	8/1992	Salmon et al.	D24/207
5,802,865	A	*	9/1998	Strauss	62/259.3
6,016,574	A	*	1/2000	Chen	607/109
6,125,636	A		10/2000	Taylor et al.		

FIG. 1 is a front perspective view of the personal cooler showing my new design;
FIG. 2 is a rear perspective view thereof;
FIG. 3 is a front elevation view thereof;
FIG. 4 is a rear elevation view thereof;
FIG. 5 is a side elevation view of one side thereof;
FIG. 6 is a side elevation view of the other side thereof
FIG. 7 is a top plan view thereof; and,
FIG. 8 is a bottom plan view thereof.

The broken lines are for illustrative purposes only and form no part of the claimed design.

1 Claim, 8 Drawing Sheets



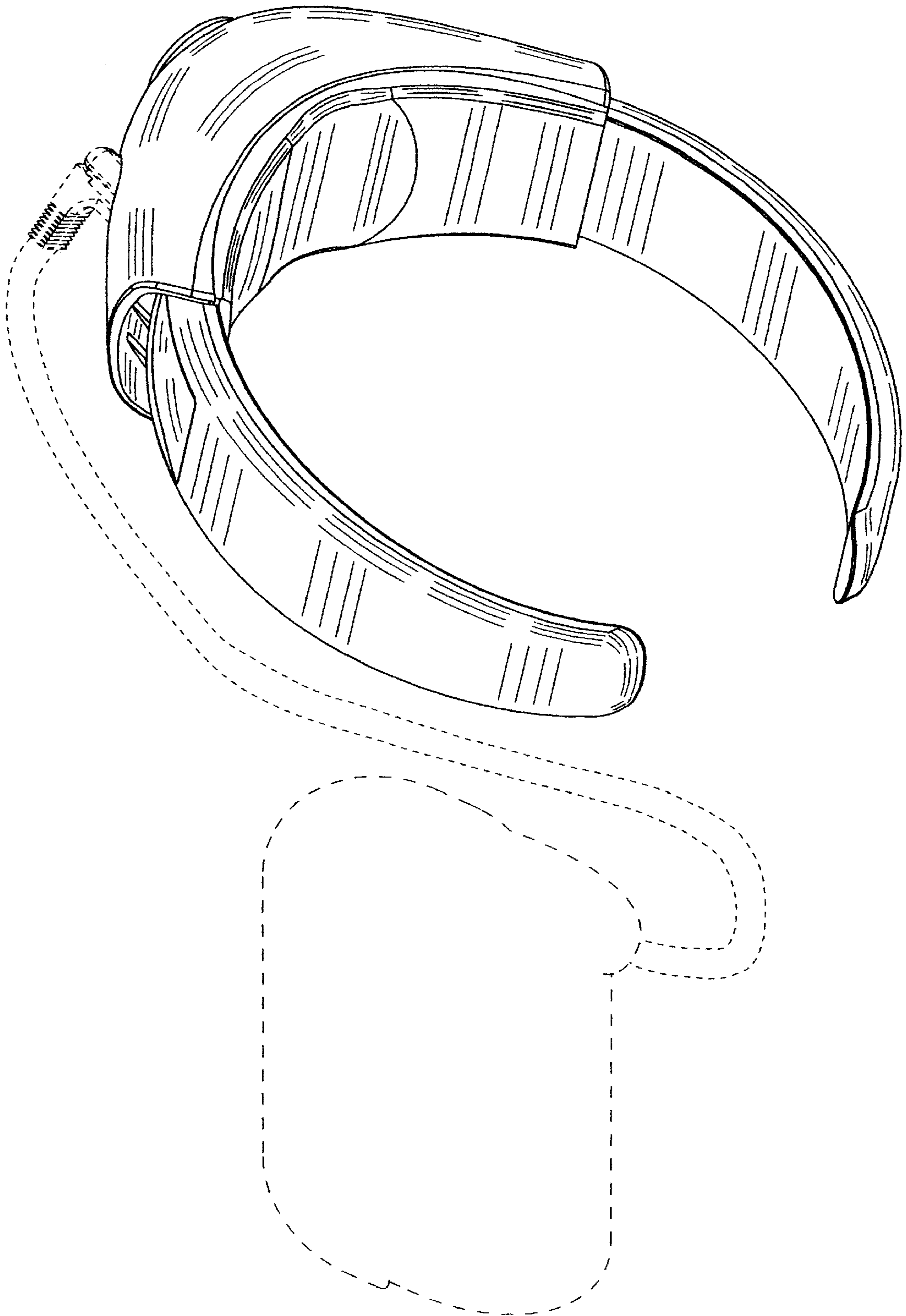


FIG. 1

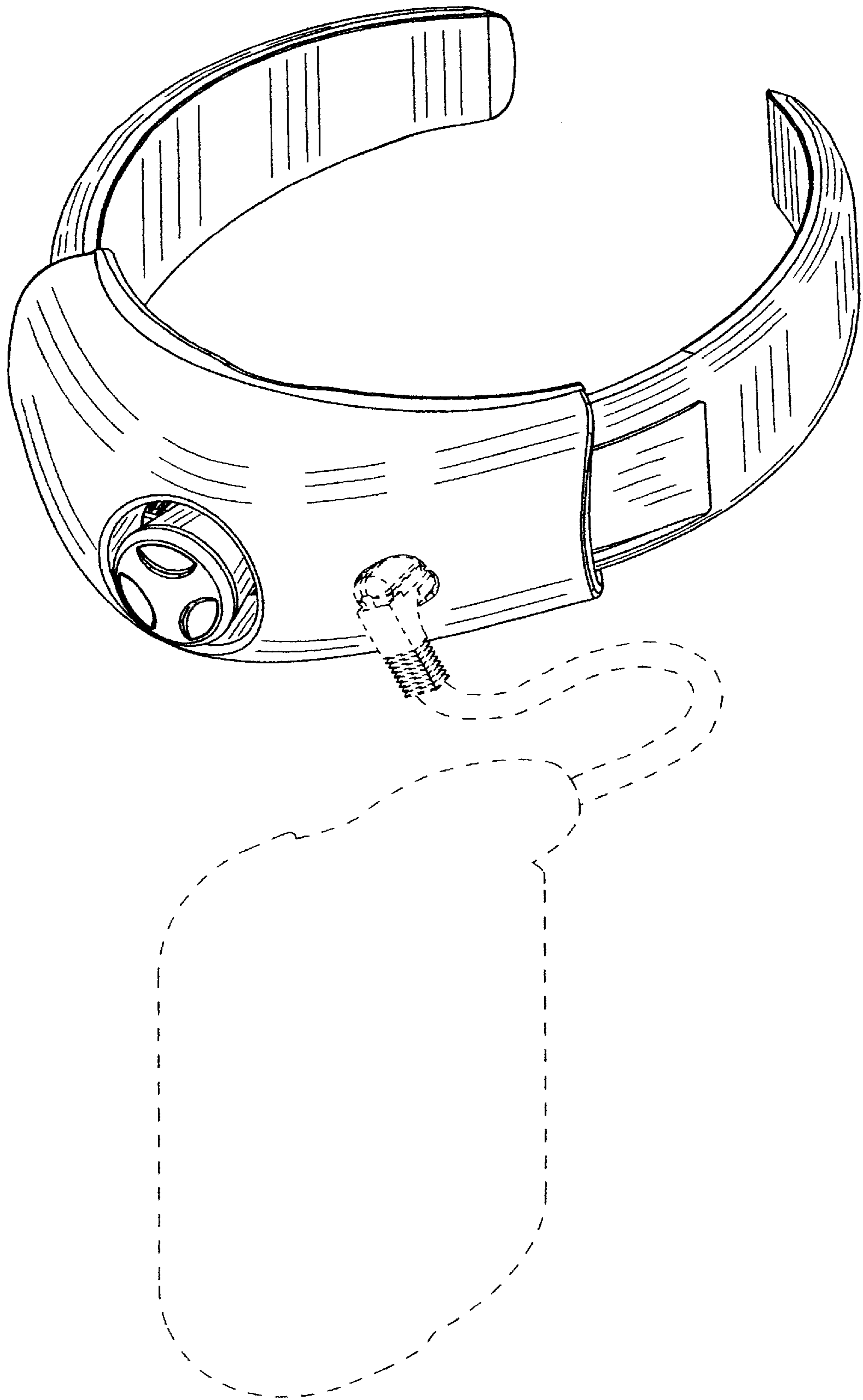


FIG. 2

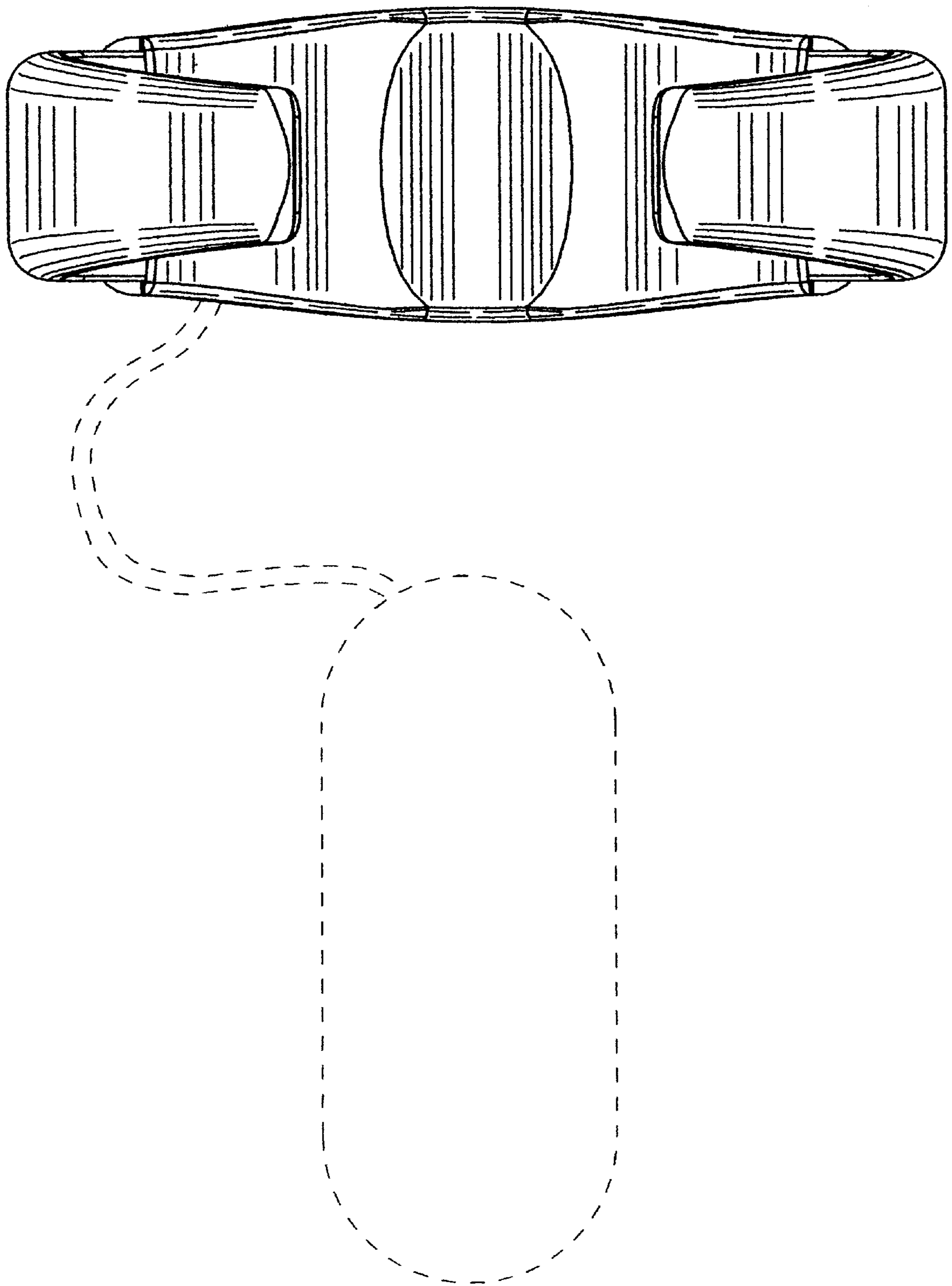


FIG. 3

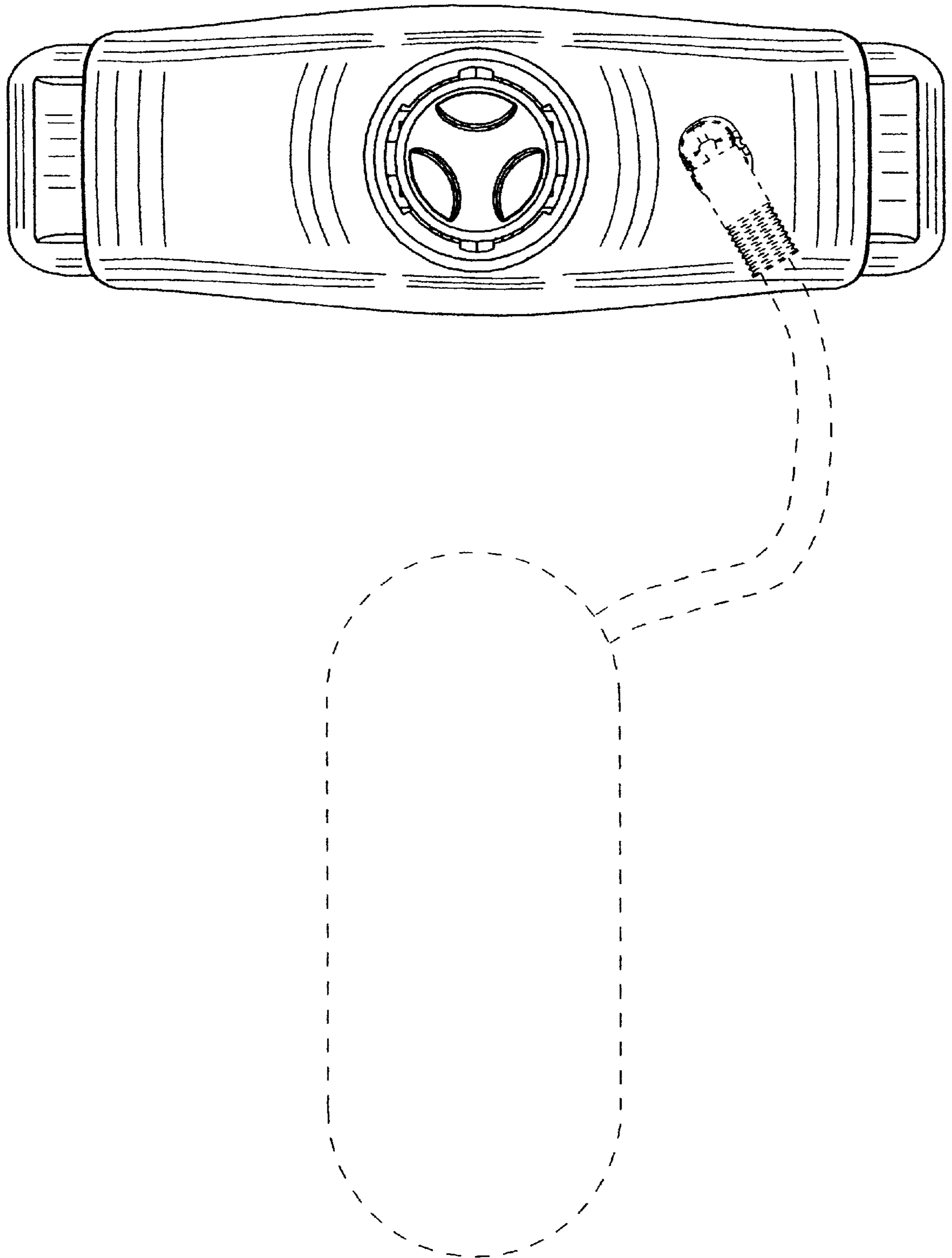


FIG. 4

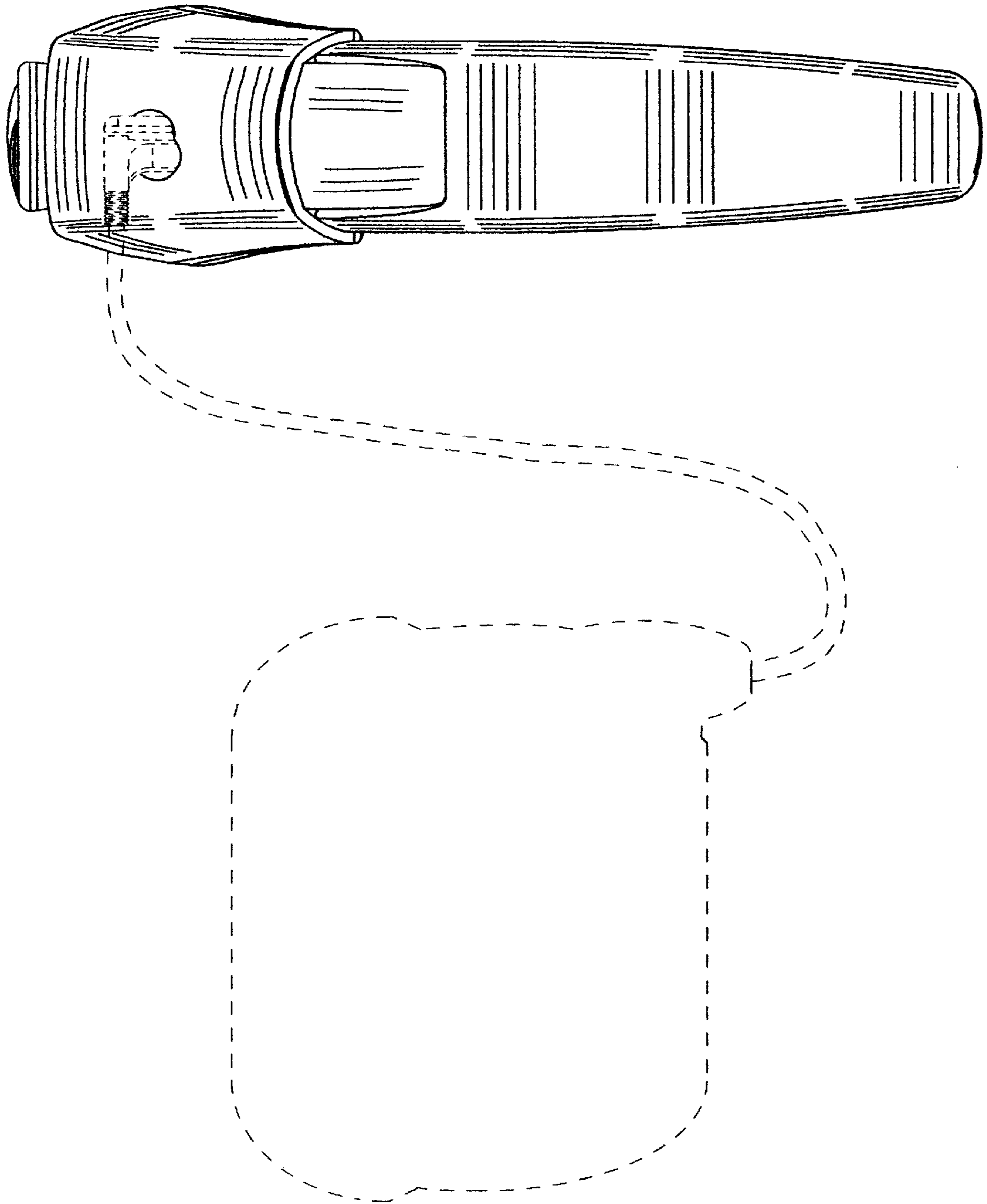


FIG. 5

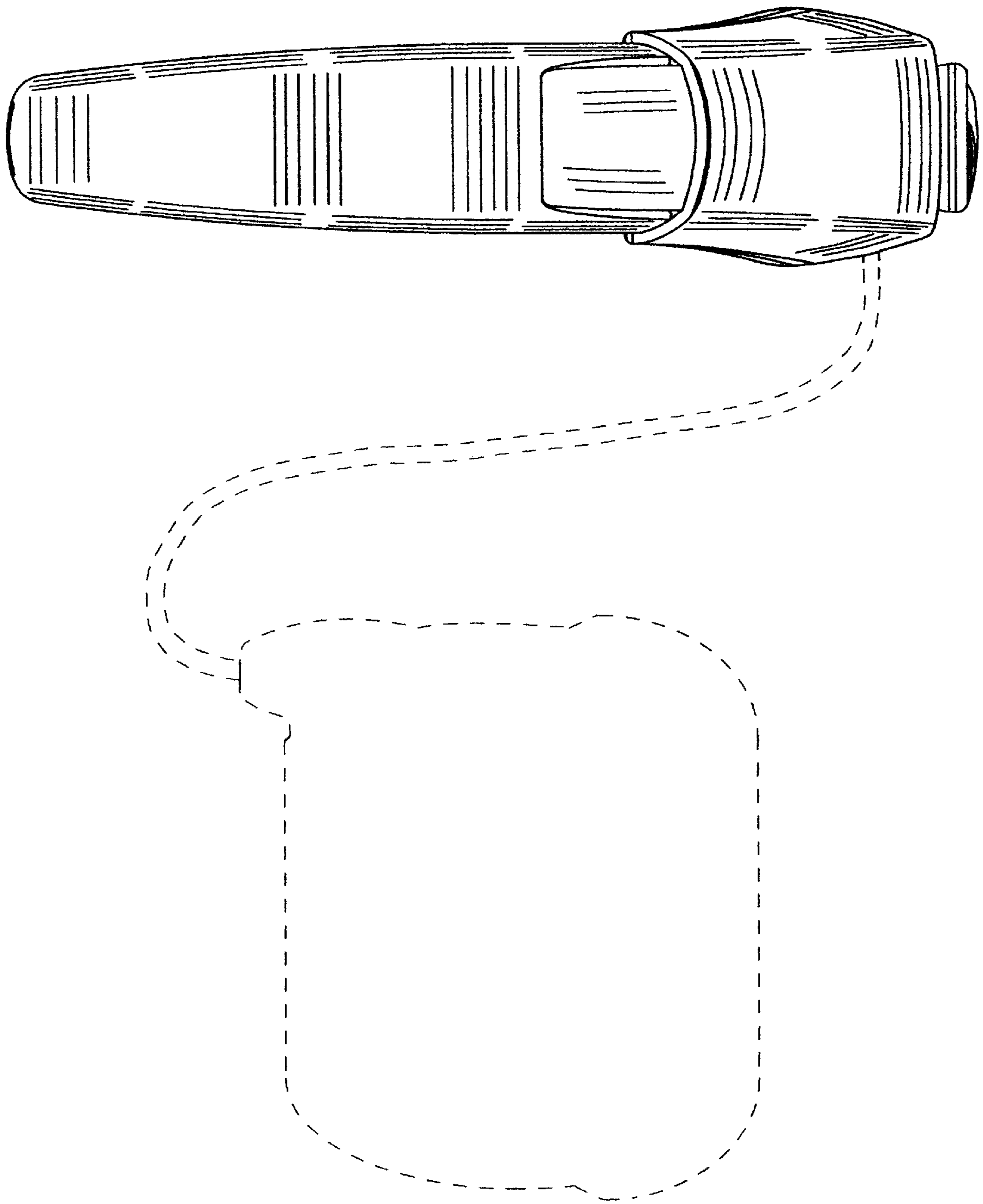


FIG. 6

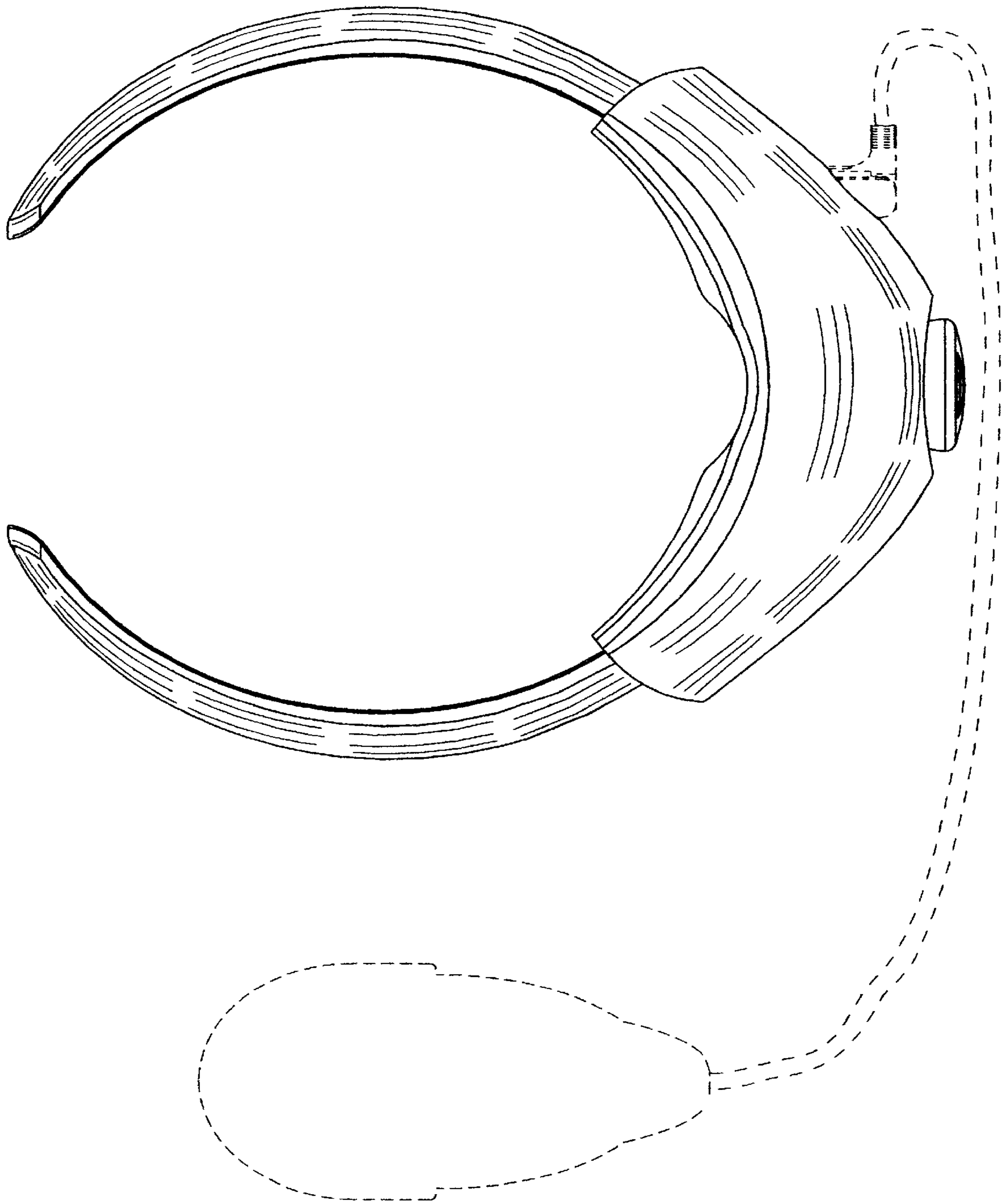


FIG. 7

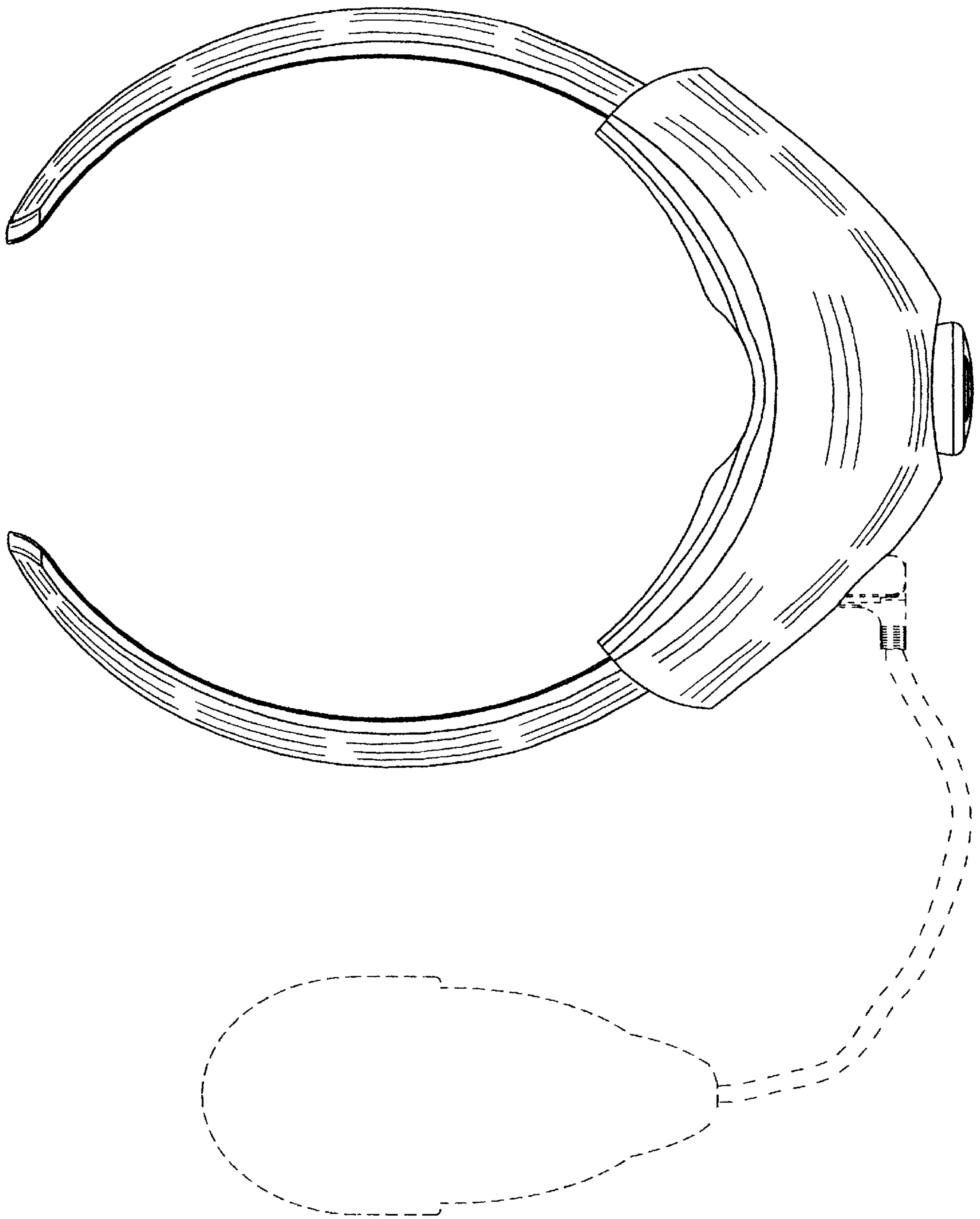


FIG. 8