



US00D455480S

(12) **United States Design Patent**
McKeone

(10) **Patent No.:** **US D455,480 S**

(45) **Date of Patent:** **** Apr. 9, 2002**

- (54) **LEG**
- (75) **Inventor:** **William C. McKeone**, Sheboygan, WI (US)
- (73) **Assignee:** **Kohler Co.**, Kohler, WI (US)
- (**) **Term:** **14 Years**
- (21) **Appl. No.:** **29/140,932**
- (22) **Filed:** **Apr. 26, 2001**
- (51) **LOC (7) Cl.** **23-02**
- (52) **U.S. Cl.** **D23/308**; D6/495; D25/126
- (58) **Field of Search** D23/270-271, D23/273, 284-292, 293.1, 303, 308; 4/619, 621-622, 630-637, 643-646, 654, 658-661; D6/397-398, 403, 481, 495; 108/24, 156, 161; D25/126, 128-129

1929 Kohler catalog ad, p. 232-B, showing a “Bellaires” lavatory.
 1929 Kohler catalog ad, p. 232, showing a “Deauville” lavatory.

* cited by examiner

Primary Examiner—Louis S. Zarfes
Assistant Examiner—Robert A. Delehanty
 (74) *Attorney, Agent, or Firm*—Quarles & Brady LLP

(57) **CLAIM**

The ornamental design for a leg, as shown and described.

DESCRIPTION

In a preferred embodiment, the nature of this product is as a support leg primarily useful for supporting a plumbing fixture such as a lavatory or a stand for the same.

FIG. 1 is a left, top, front perspective view of a leg embodying my new design;

FIG. 2 is a front elevational view shown on an enlarged scale thereof, the rear elevational view, the left side elevational view and the right side elevational view being identical to the front elevational view shown;

FIG. 3 is a bottom plan view shown on an enlarged scale thereof; and,

FIG. 4 is a top plan view shown on an enlarged scale thereof. The broken line representations of a mounting environment in FIGS. 1 and 2, of hardware in FIGS. 2 and 3, and of mounting structure in FIGS. 1 and 4, are for the purpose of illustration only, and form no part of the claimed design.

(56) **References Cited**

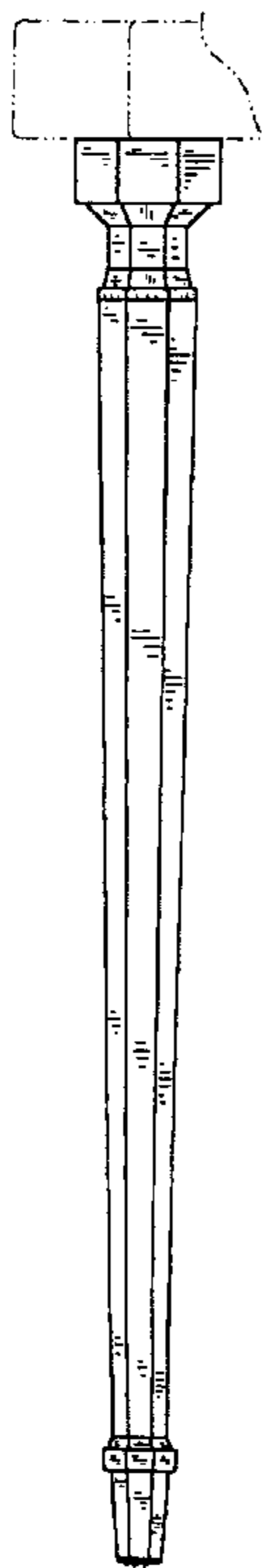
U.S. PATENT DOCUMENTS

- D22,997 S * 1/1894 Welker D6/495
- D75,322 S * 5/1928 Barkschat D25/128
- D238,231 S * 12/1975 McClain D6/495
- D291,492 S * 8/1987 Noyce D25/128
- D388,224 S * 12/1997 Barry D6/495 X

OTHER PUBLICATIONS

- Undated Smith & Watson catalog ad, p. D-11, showing a Louis XVI armchair.
- Undated Mastercraft catalog and showing a 361 cocktail table.

1 Claim, 1 Drawing Sheet



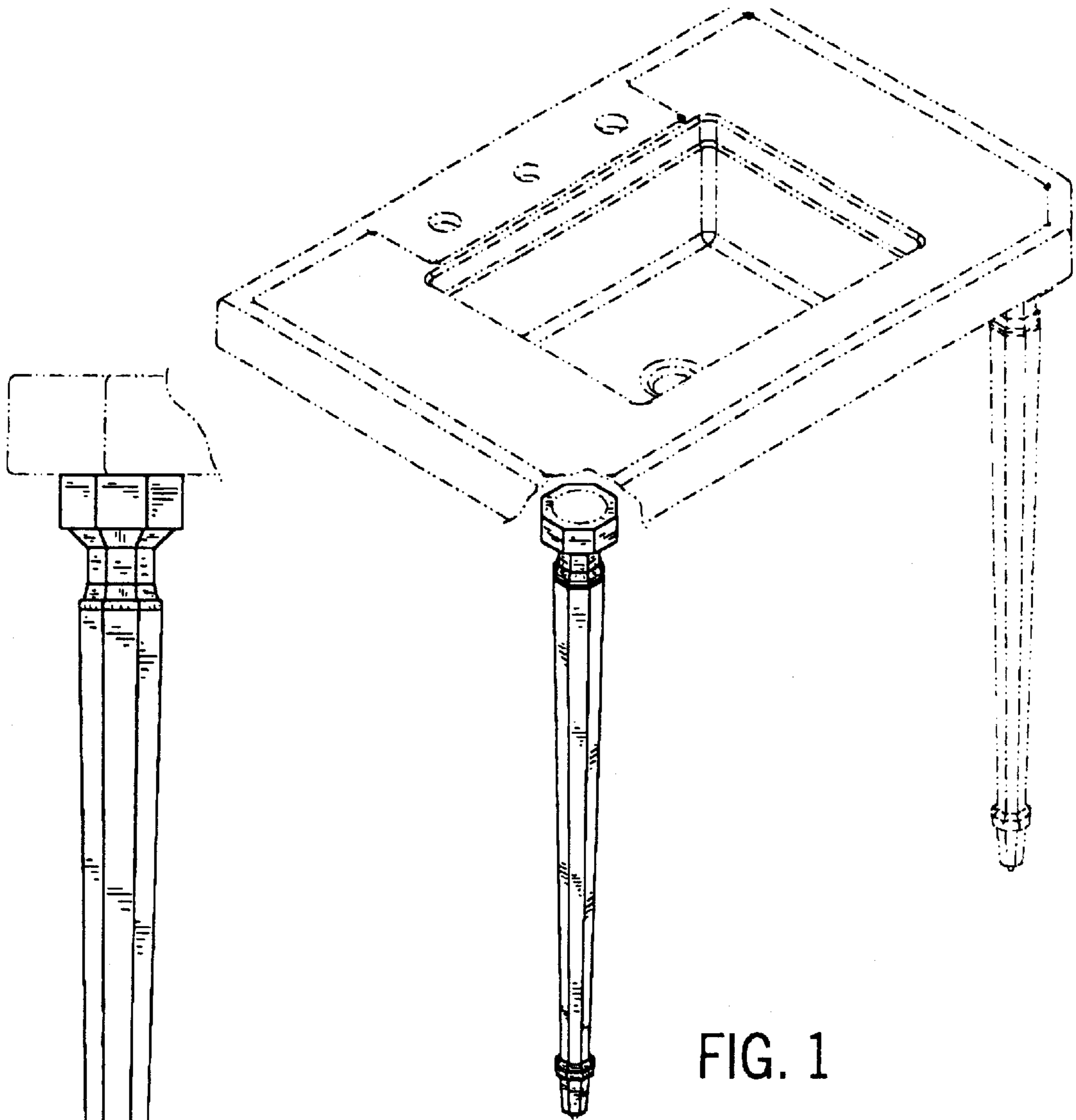


FIG. 1

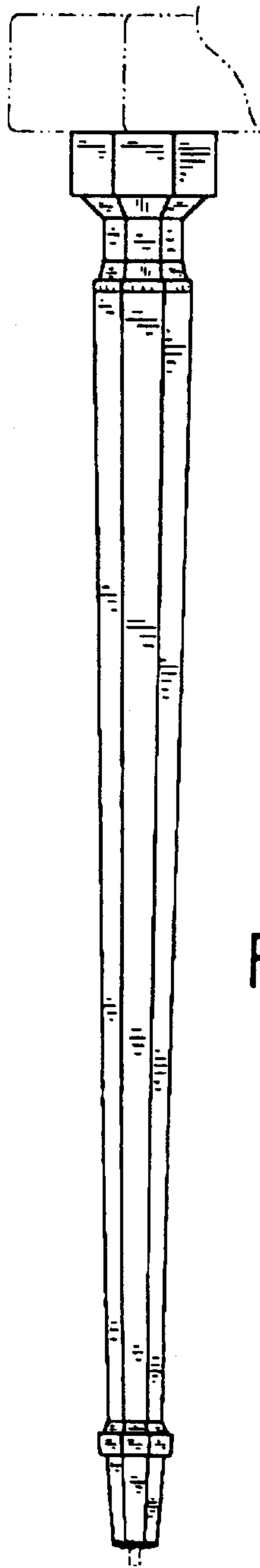


FIG. 2

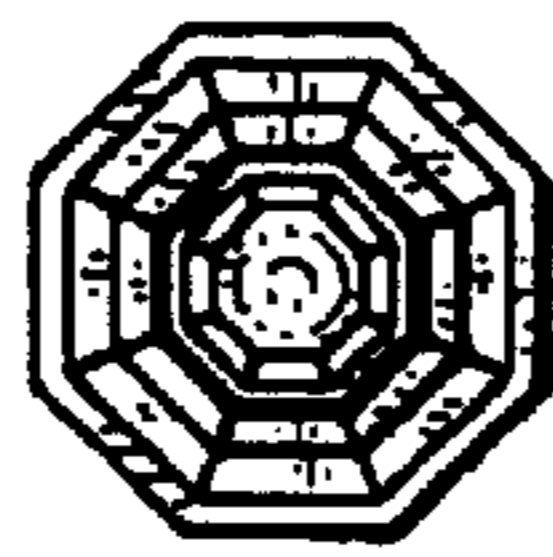


FIG. 3

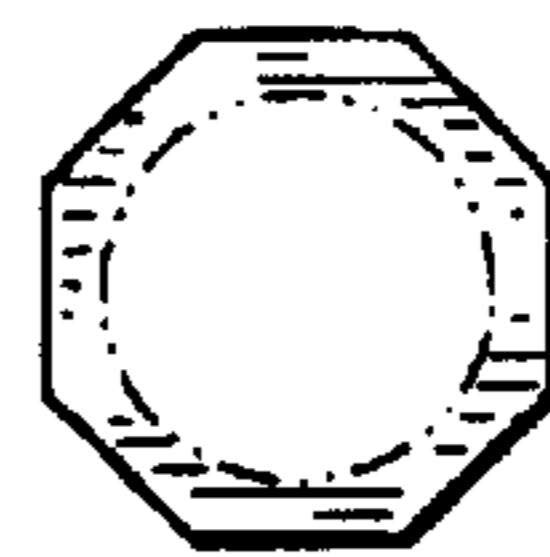


FIG. 4