



US00D455479S

(12) **United States Design Patent**
Asack et al.

(10) **Patent No.:** **US D455,479 S**
(45) **Date of Patent:** **** Apr. 9, 2002**

(54) **BIODEGRADABLE SANITARY DISPOSABLE TUB LINER**

(76) Inventors: **Robert M. Asack; Denise A. Asack,**
both of 35 Satucket Ave., East
Bridgewater, MA (US) 02333

(**) Term: **14 Years**

(21) Appl. No.: **29/143,831**

(22) Filed: **Jun. 20, 2001**

(51) **LOC (7) Cl.** **23-02**

(52) **U.S. Cl.** **D23/304**

(58) **Field of Search** D23/270, 275-280.4,
D23/303-304; 4/538, 541.1-546, 559, 580,
584-586, 589, 590, 592

(56) **References Cited**

U.S. PATENT DOCUMENTS

455,429	A	*	7/1891	McDonald	4/580
550,542	A	*	11/1895	Smith	4/580
1,665,206	A	*	4/1928	Henry	4/58
1,681,294	A	*	8/1928	Henry	4/58
2,319,603	A	*	5/1943	Henry	4/580
2,878,488	A	*	3/1959	Doskocil	4/580
3,300,790	A	*	1/1967	Foote	4/580
3,931,651	A		1/1976	Weir		
4,017,915	A	*	4/1977	Prewitt	4/585

D293,363	S	*	12/1987	Everard	D23/277
4,956,882	A		9/1990	Cohn, III		
5,085,212	A	*	2/1992	DeCosta	4/585 X
5,153,950	A		10/1992	Sowers		
5,216,764	A		6/1993	Hall et al.		
D361,831	S		8/1995	Pokosa		
5,465,436	A	*	11/1995	Bleicher	4/580
D383,834	S	*	9/1997	Frakel	D23/304
5,809,588	A	*	9/1998	Angelotti	4/587

* cited by examiner

Primary Examiner—Louis S. Zarfaz

Assistant Examiner—Robert A. Delehanty

(74) *Attorney, Agent, or Firm*—Donald R. Schoonover

(57) **CLAIM**

We claim the ornamental design for a biodegradable sanitary disposable tub liner, as shown and described.

DESCRIPTION

FIG. 1 is a perspective view of the biodegradable sanitary disposable tub liner embodying the design of the present invention.

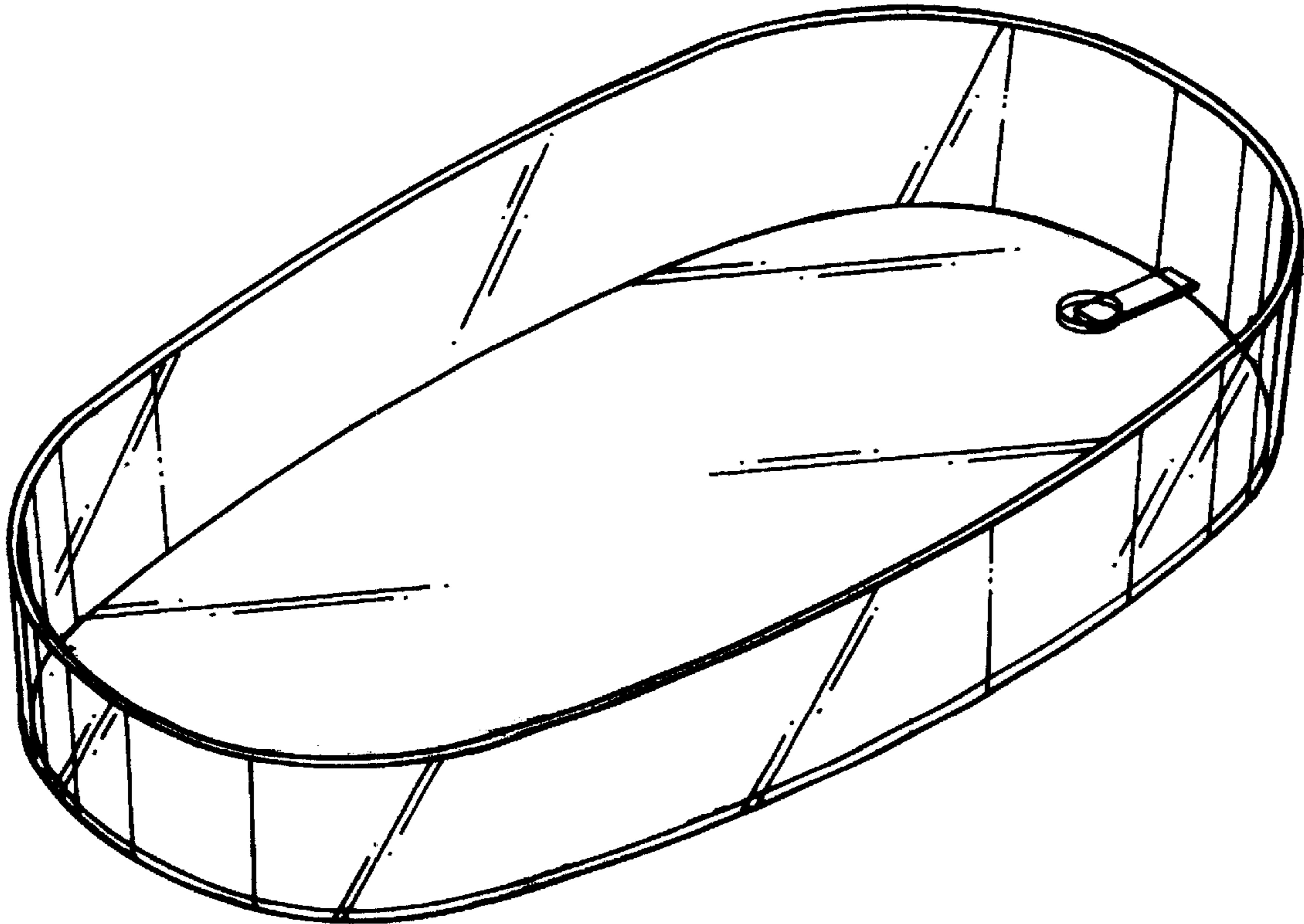
FIG. 2 is an end elevational view thereof;

FIG. 3 is a side elevational view thereof;

FIG. 4 is a bottom plan view thereof; and,

FIG. 5 is a top plan view thereof.

1 Claim, 3 Drawing Sheets



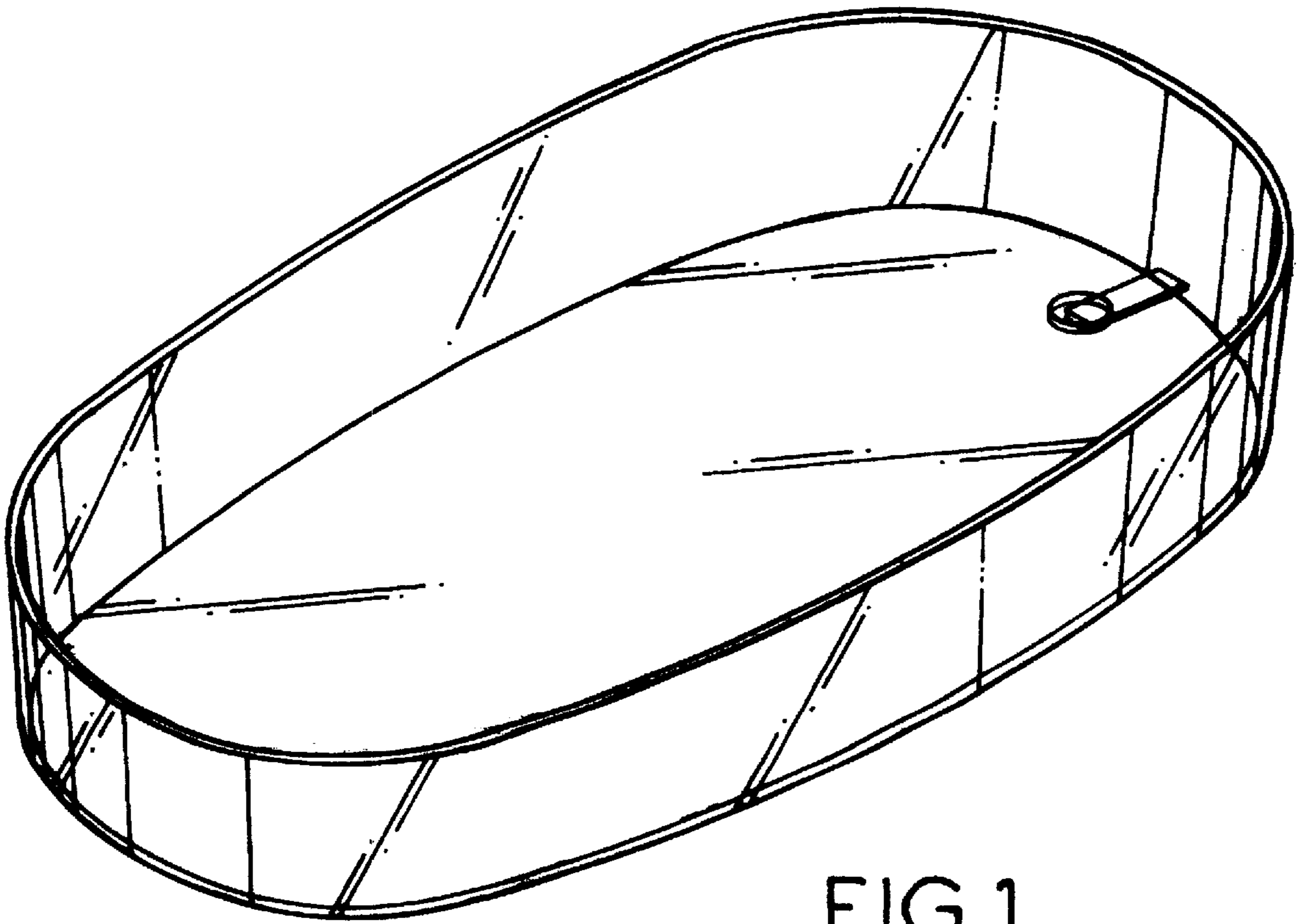


FIG.1.

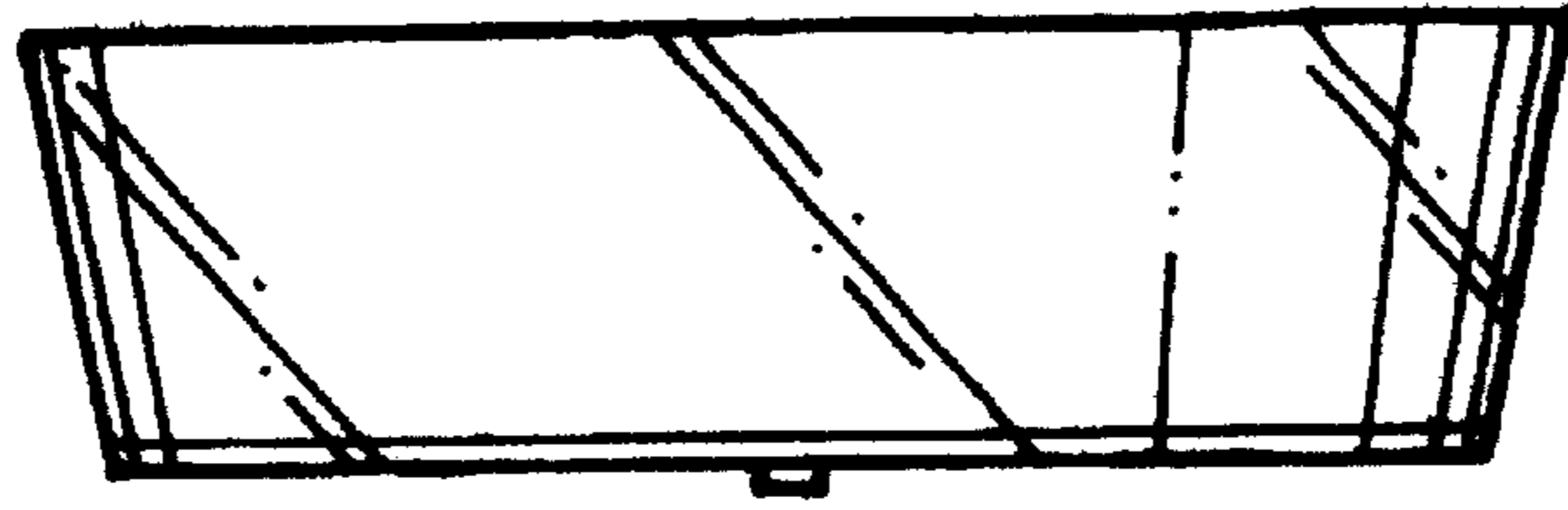


FIG. 2.

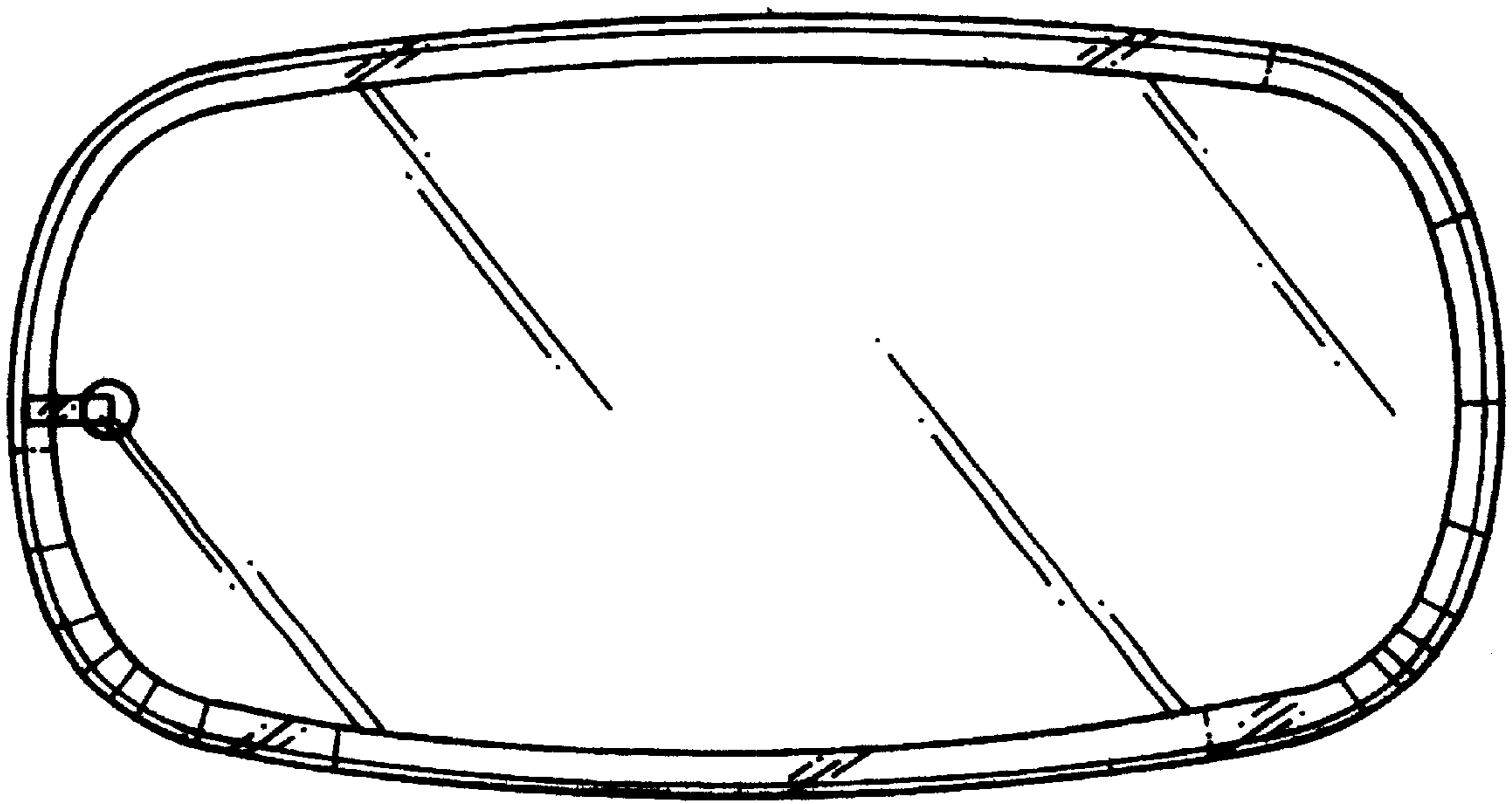


FIG. 5.

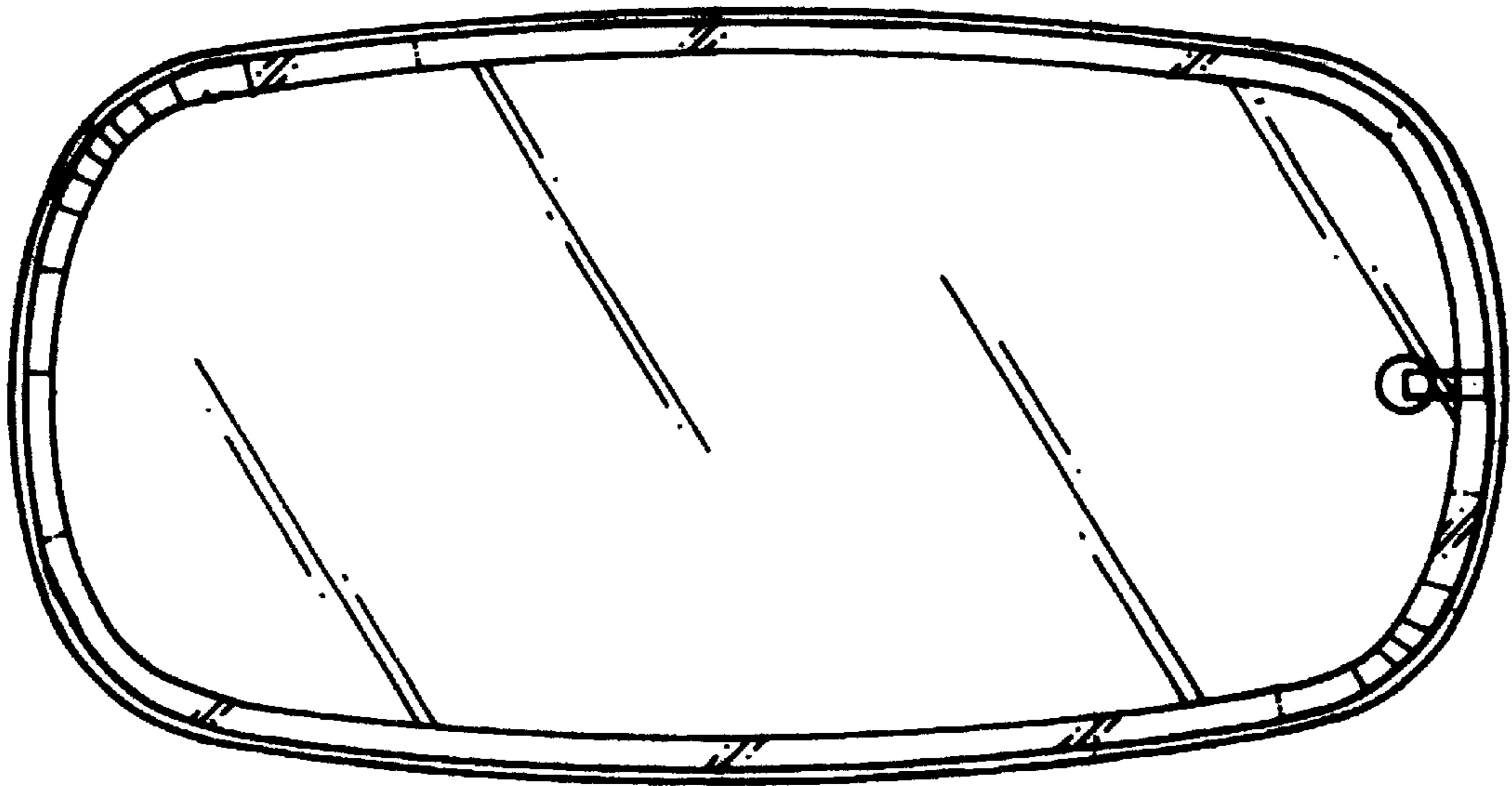


FIG. 4.

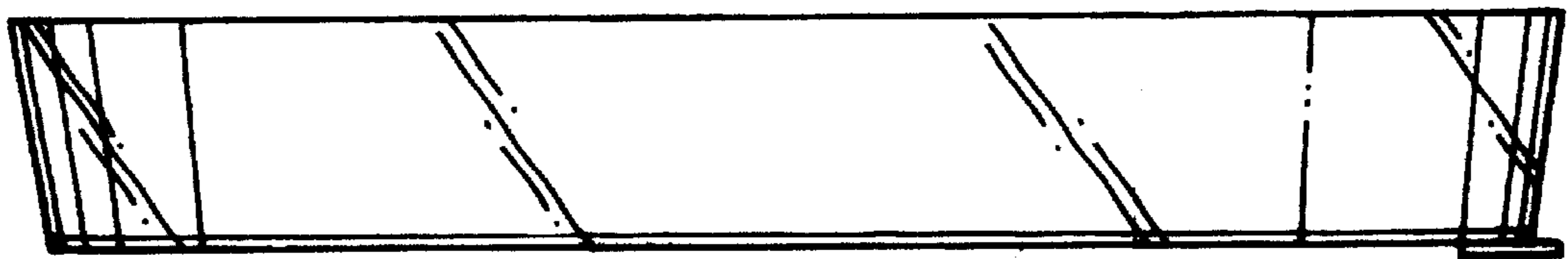


FIG. 3.