



US00D455478S

(12) **United States Design Patent**
Chen

(10) **Patent No.:** **US D455,478 S**

(45) **Date of Patent:** **** Apr. 9, 2002**

(54) **TOILET FIXTURE**

(76) **Inventor:** **Joe Chen**, 40 Bedminster Rd.,
Randolph, NJ (US) 07869

(**) **Term:** **14 Years**

(21) **Appl. No.:** **29/136,020**

(22) **Filed:** **Jan. 23, 2001**

(51) **LOC (7) Cl.** **23-02**

(52) **U.S. Cl.** **D23/301**

(58) **Field of Search** D23/270-272,
D23/295, 296, 299-301, 303, 309-313;
4/667, 300, 329, 353-354, 419-420, 420.3,
443, 446, 449, 460, 476-477, 479-483,
902, DIG. 12, DIG. 15

(56) **References Cited**

U.S. PATENT DOCUMENTS

D80,721 S 3/1930 Crane, II
D83,770 S 3/1931 Tilden
D95,210 S 4/1935 Morgan
D101,534 S 10/1936 Karstadt
D101,536 S 10/1936 Karstadt
D271,326 S * 11/1983 Doman et al. D23/301

D275,417 S * 9/1984 Stairs, Jr. D23/301
D353,450 S * 12/1994 Anderson et al. D23/301
D409,733 S * 5/1999 Anderson et al. D23/301
D437,634 S * 2/2001 Hundley D23/301

* cited by examiner

Primary Examiner—Louis S. Zarfaz

Assistant Examiner—Robert A. Delehanty

(74) *Attorney, Agent, or Firm*—Dilworth & Barrese, LLP

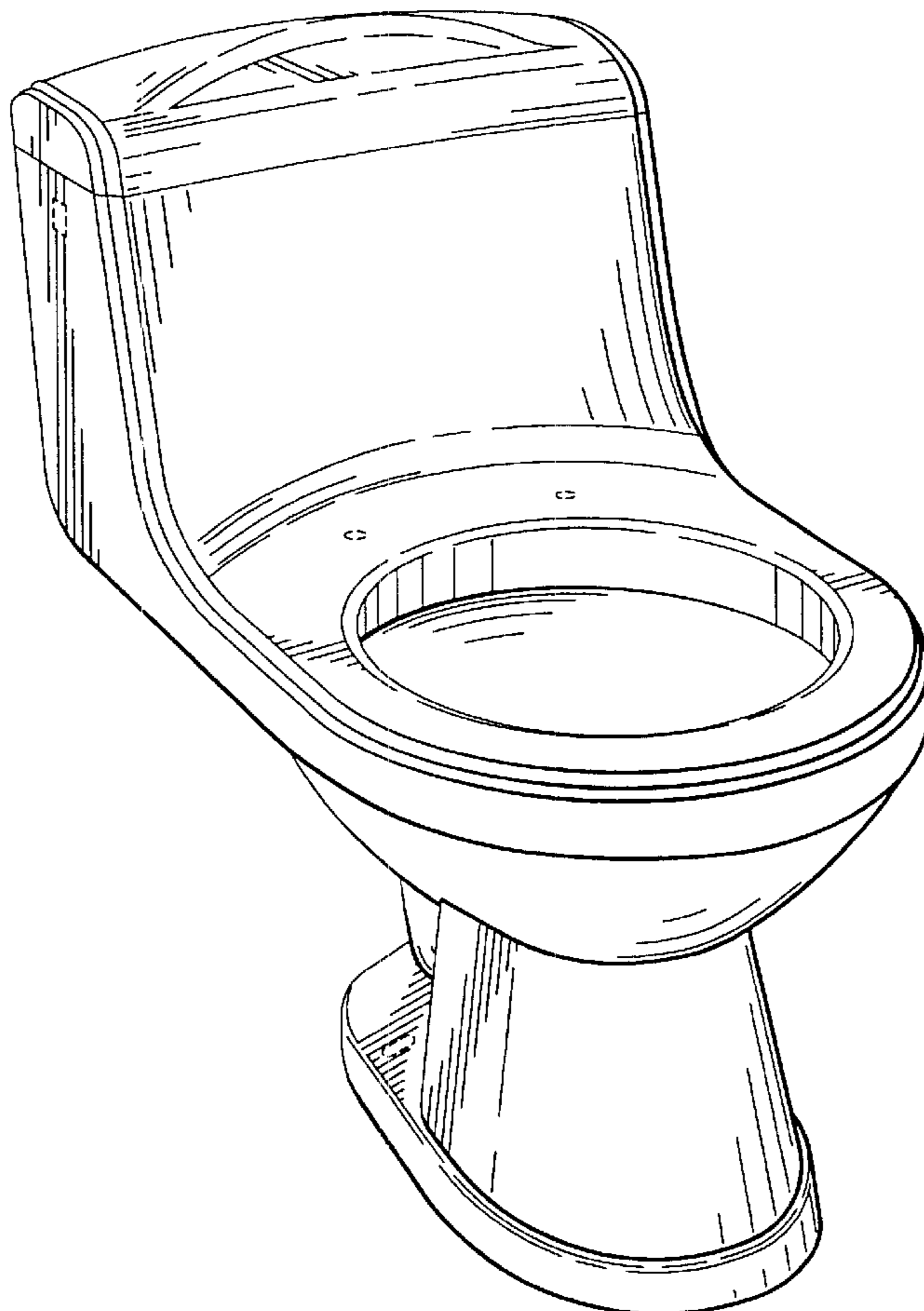
(57) **CLAIM**

The ornamental design of a toilet fixture, as shown and described.

DESCRIPTION

FIG. 1 is a perspective view of the toilet fixture;
FIG. 2 is a front elevational view of the toilet fixture;
FIG. 3 is a right side elevational view of the toilet fixture,
with the left side elevational view being a mirror image of
the left side view;
FIG. 4 is a rear elevational view of the toilet fixture; and,
FIG. 5 is a top plan view of the toilet fixture.
The broken line showing of handle and seat attachment
points is for illustrative purposes only and forms no part of
the claimed design.

1 Claim, 5 Drawing Sheets



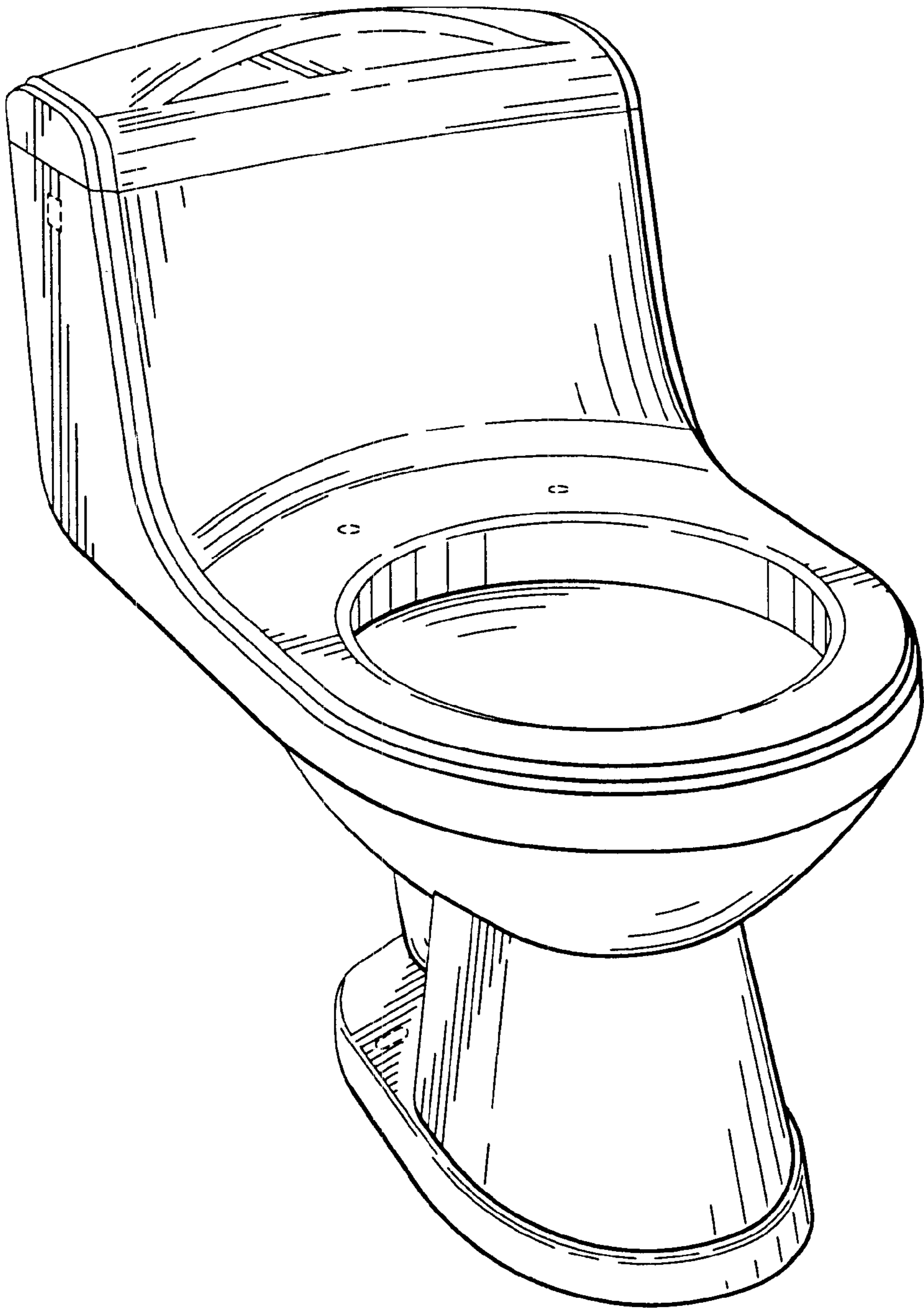


FIG 1

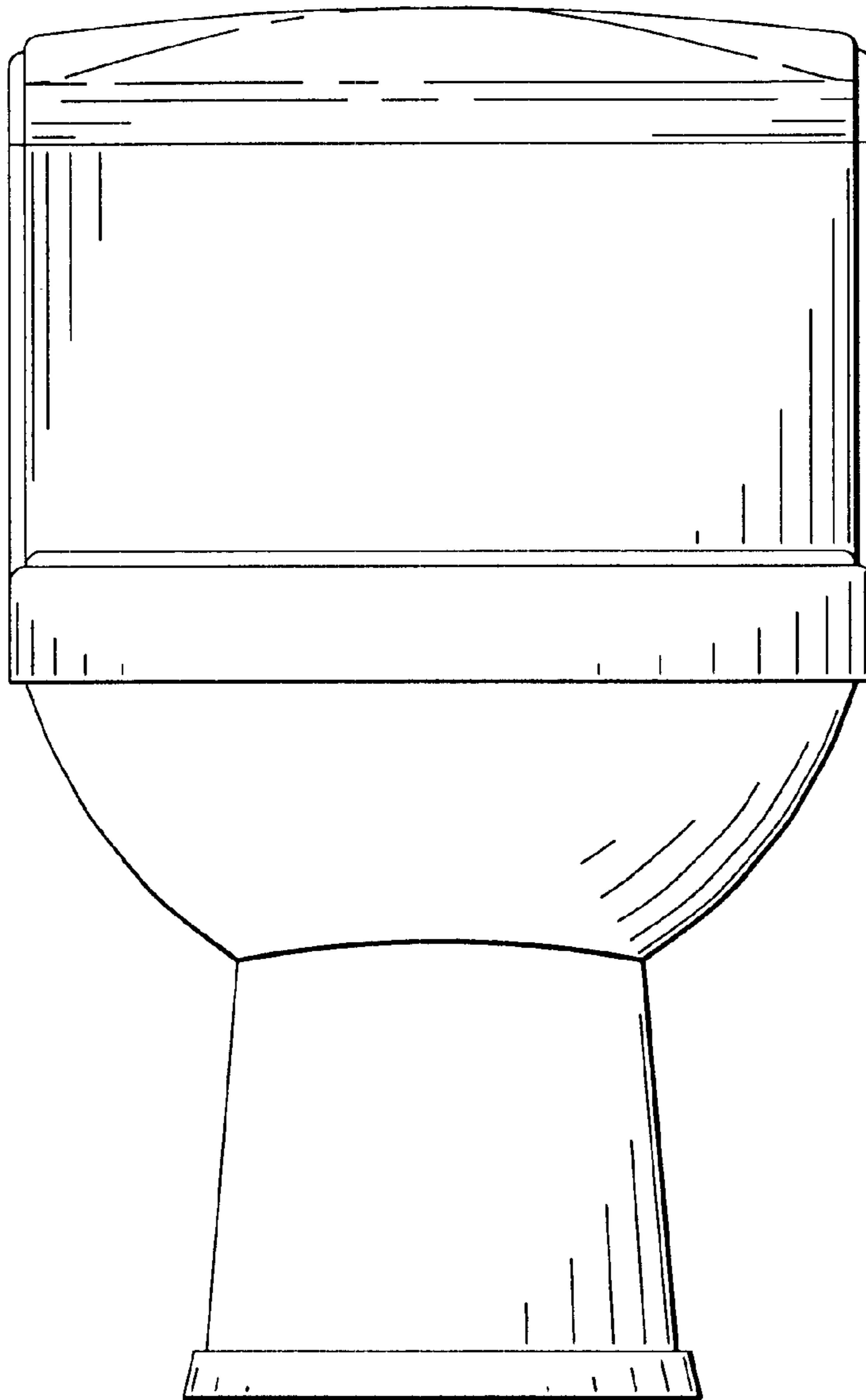


FIG 2

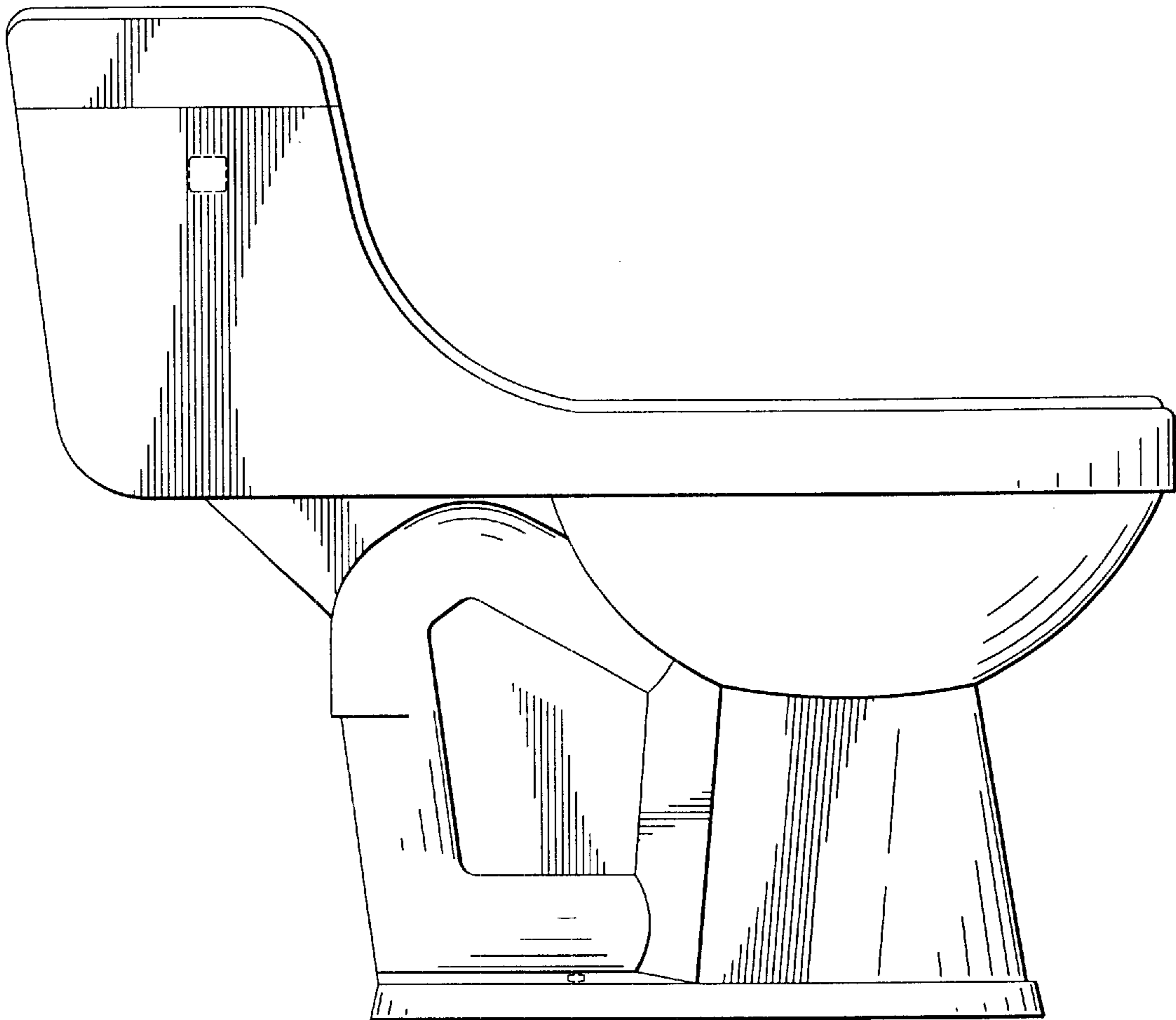


FIG 3

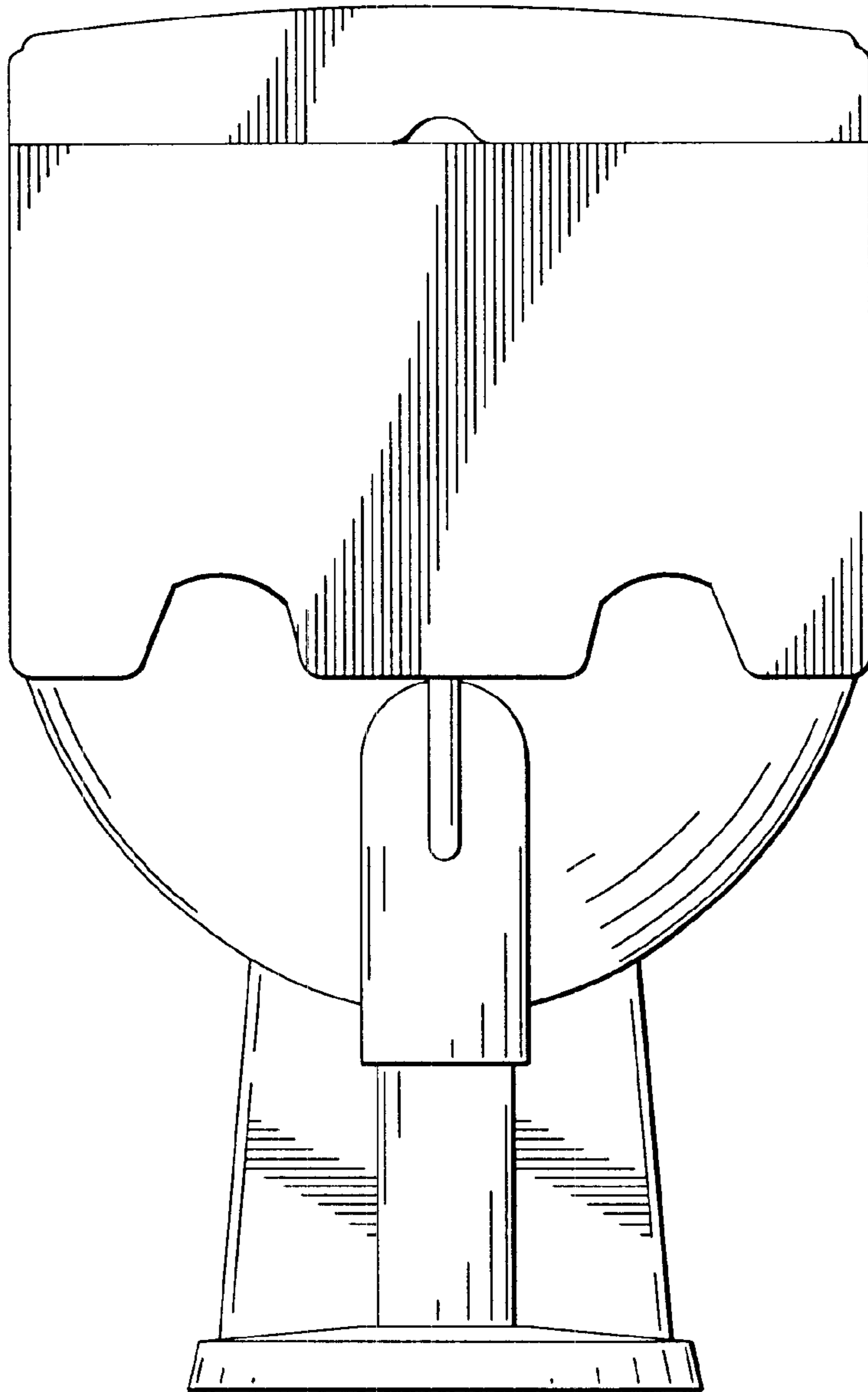


FIG 4

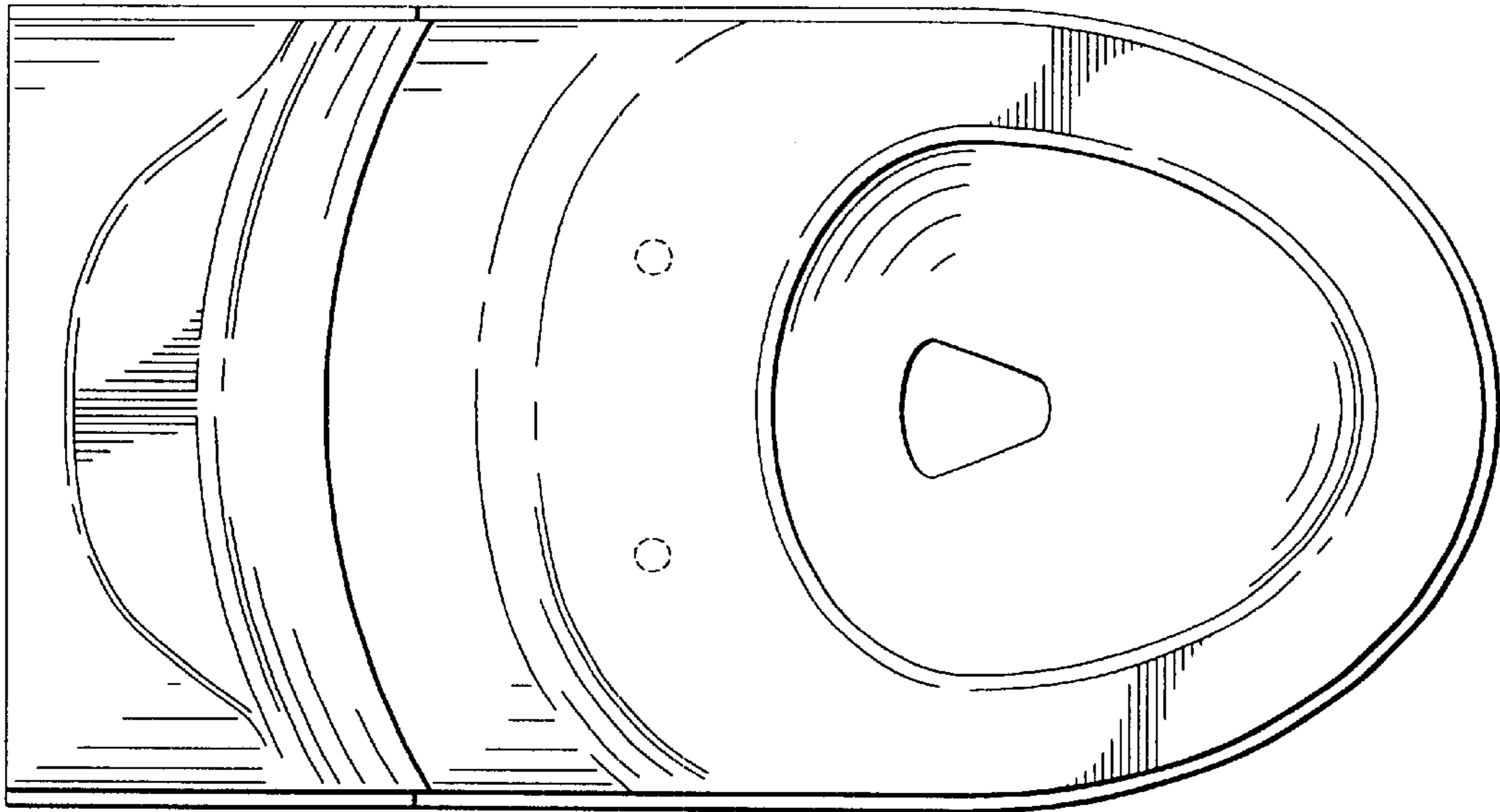


FIG 5