



US00D455476S

(12) **United States Design Patent**  
**Ferrer Beltran**

(10) **Patent No.:** **US D455,476 S**

(45) **Date of Patent:** **\*\* Apr. 9, 2002**

(54) **WASHBASIN**

(75) Inventor: **Jose M. Ferrer Beltran**, Bonrepos (ES)

(73) Assignee: **Ibergesfer, S.L.** (ES)

(\*\*) Term: **14 Years**

(21) Appl. No.: **29/141,194**

(22) Filed: **Apr. 30, 2001**

(51) **LOC (7) Cl.** ..... **23-02**

(52) **U.S. Cl.** ..... **D23/293.1; D23/292**

(58) **Field of Search** ..... D23/270-271,  
D23/273, 284-286, 292, 293.1, 303, 308;  
4/619, 621-627, 630-636, 643-646, 650-652,  
658-661, 638

(56) **References Cited**

**U.S. PATENT DOCUMENTS**

187,147	A	*	2/1877	Jennings	.....	4/644
270,701	A	*	1/1883	Scott	.....	4/638 X
3,548,422	A	*	12/1970	Byers et al.	.....	4/619
3,578,737	A	*	5/1971	Ruggles et al.	.....	4/631
D430,274	S	*	8/2000	Marshall	.....	D23/284
D445,489	S	*	7/2001	Ferrer Beltran	.....	D23/286

**OTHER PUBLICATIONS**

Hightech USA, Inc.: wall mounted sink top right of page,  
published in Metropolis, Apr. 2000.\*

\* cited by examiner

*Primary Examiner*—Louis S. Zarfaz

*Assistant Examiner*—Robert A. Delehanty

(74) *Attorney, Agent, or Firm*—Lackenbach Siegel

(57) **CLAIM**

An ornamental design for a washbasin, as shown and described.

**DESCRIPTION**

FIG. 1 is a perspective view of my washbasin taken from the top front and left side;

FIG. 2 is a plan view of the top side thereof;

FIG. 3 is a plan view of the left side thereof, the right side being the mirror image of the left side;

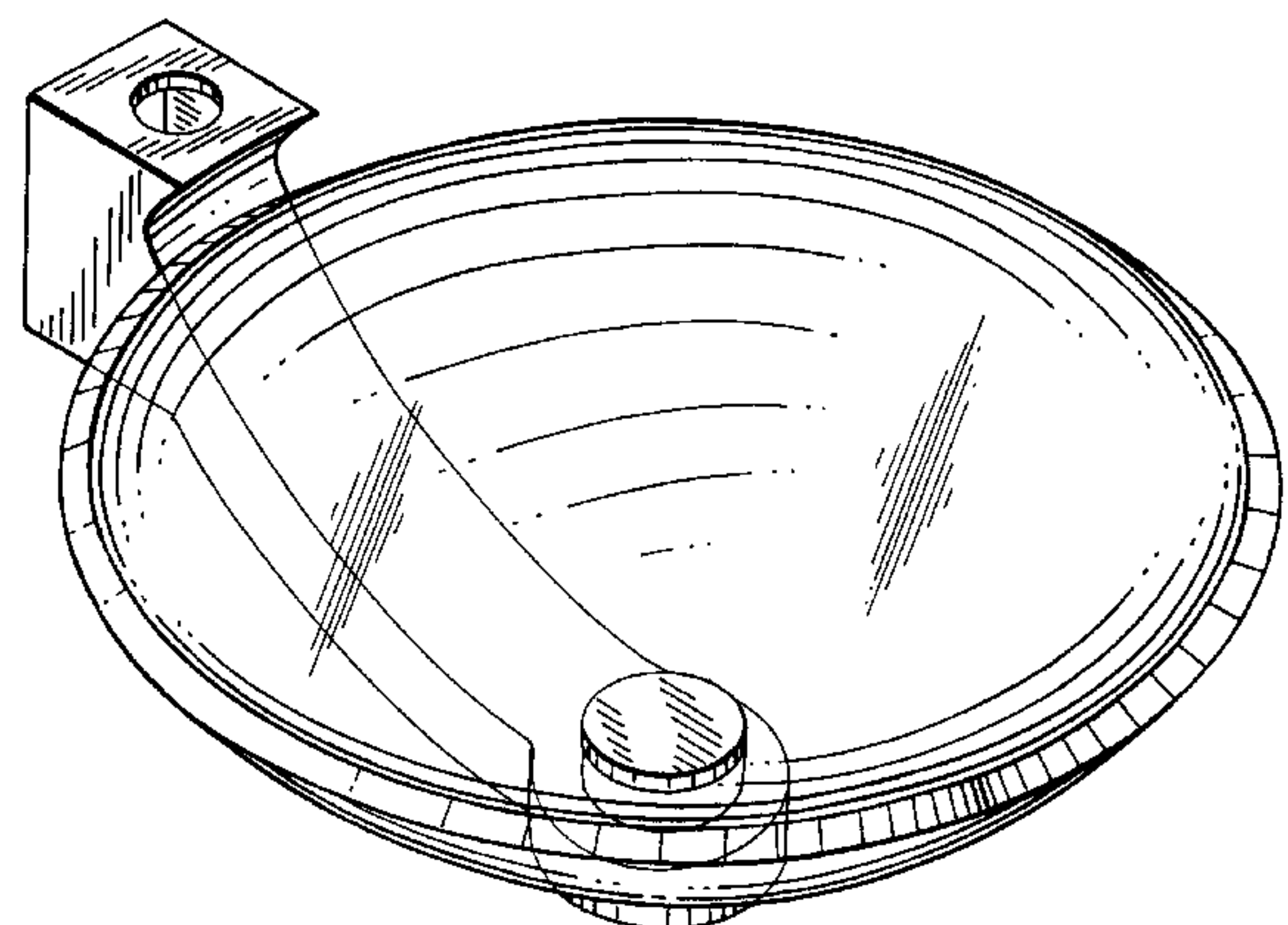
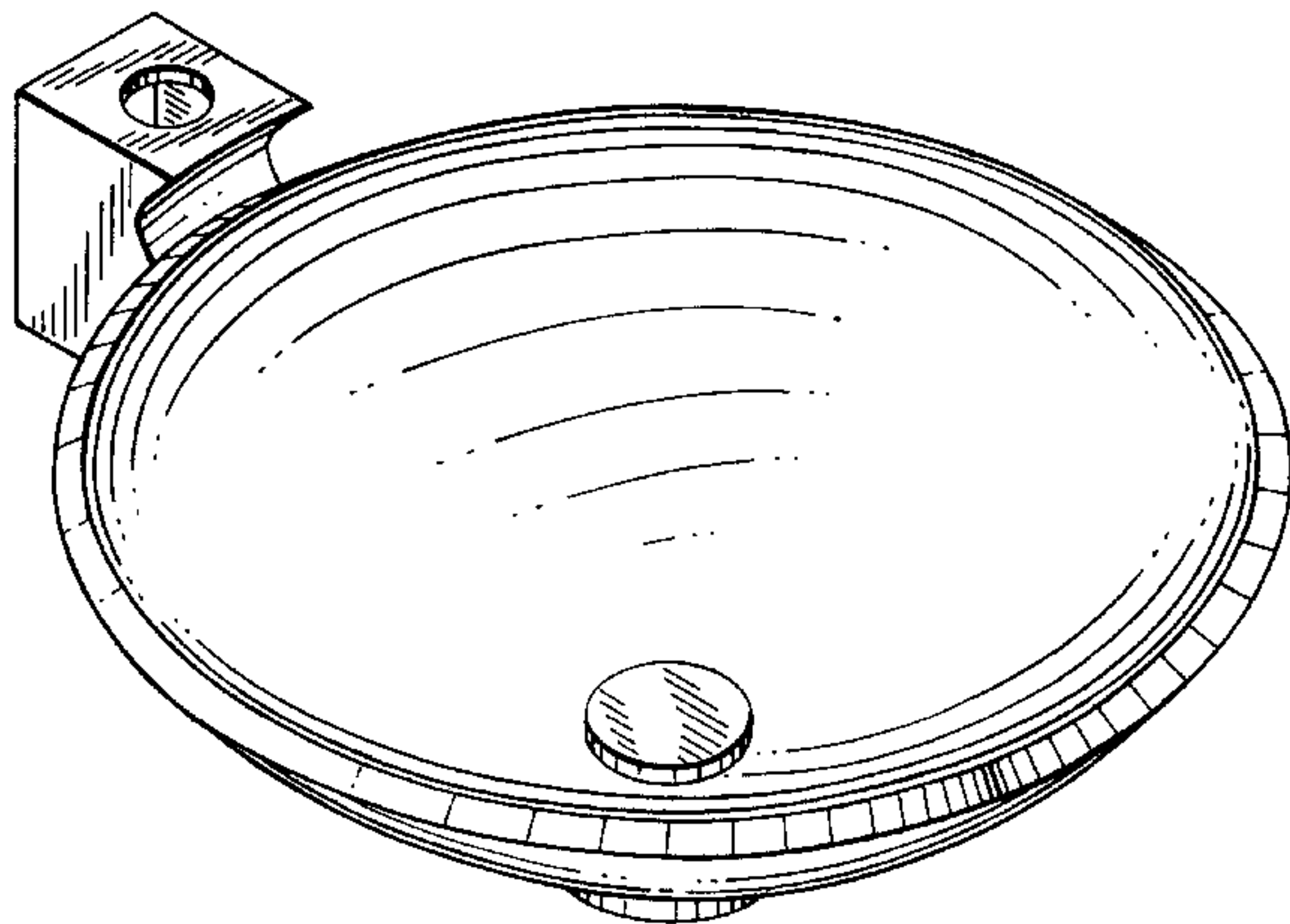
FIG. 4 is a plan view of the front side of the washbasin of FIG. 1;

FIG. 5 is a plan view of the rear side thereof;

FIG. 6 is a plan view of the underside thereof; and,

FIG. 7 is a perspective view of an alternative embodiment of my washbasin taken from the top front and left side, wherein the basin is a light-transmitting material.

**1 Claim, 5 Drawing Sheets**



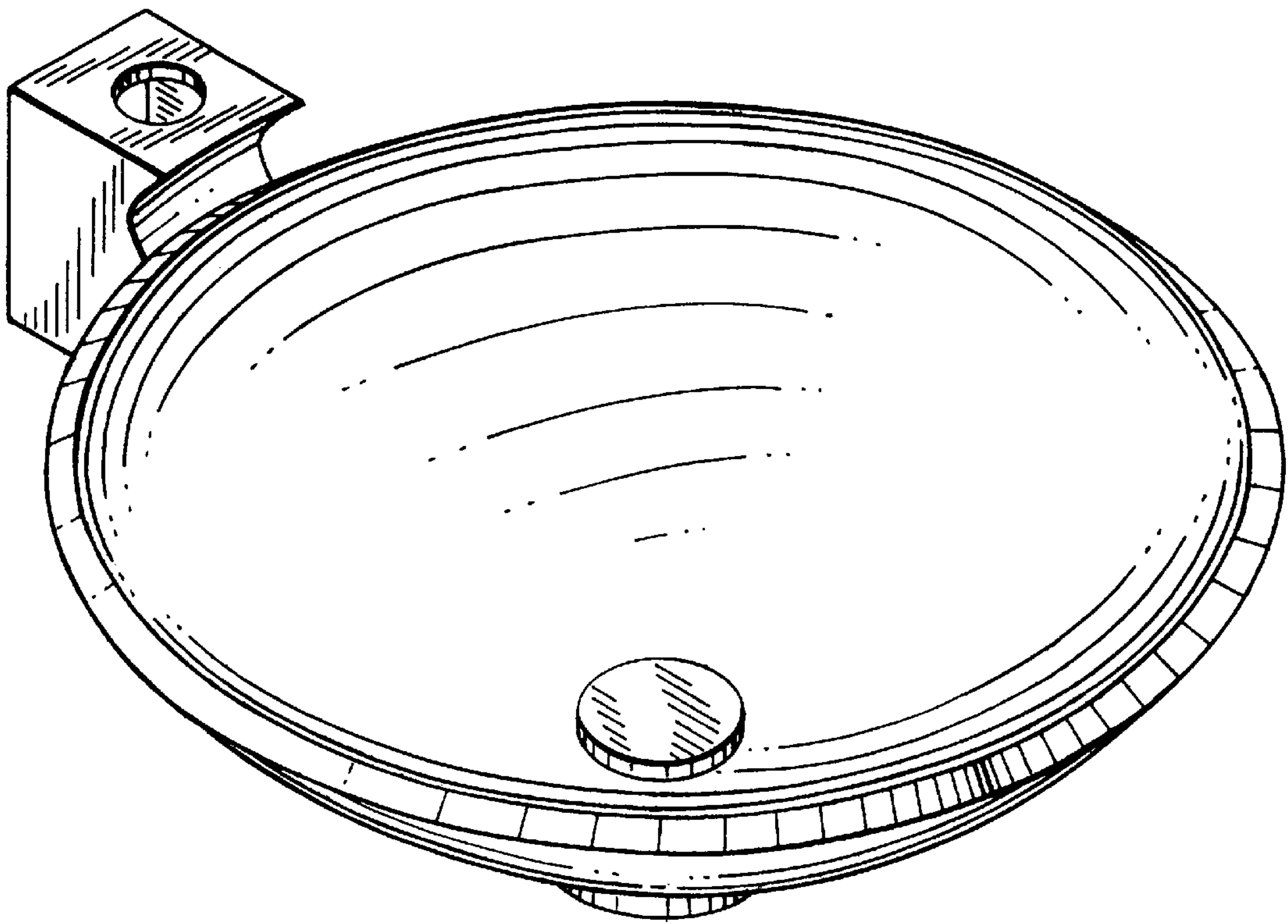


FIG. 1

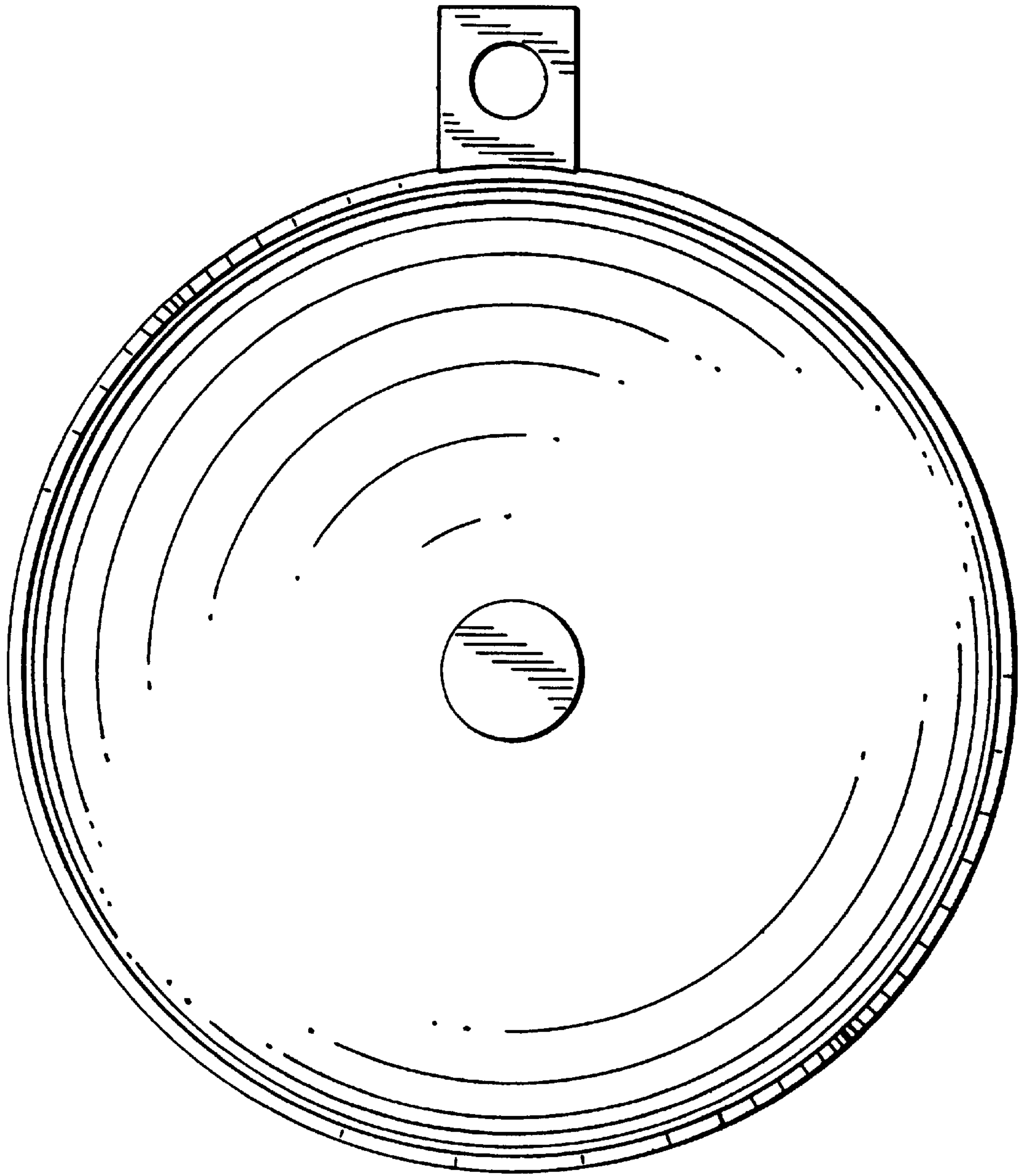


FIG. 2

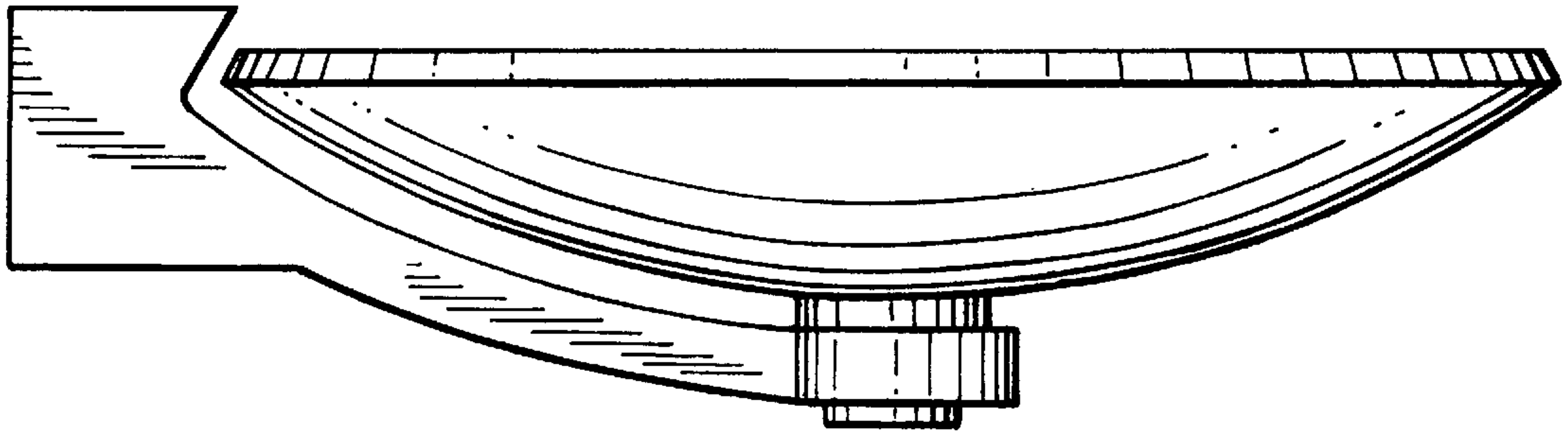


FIG. 3

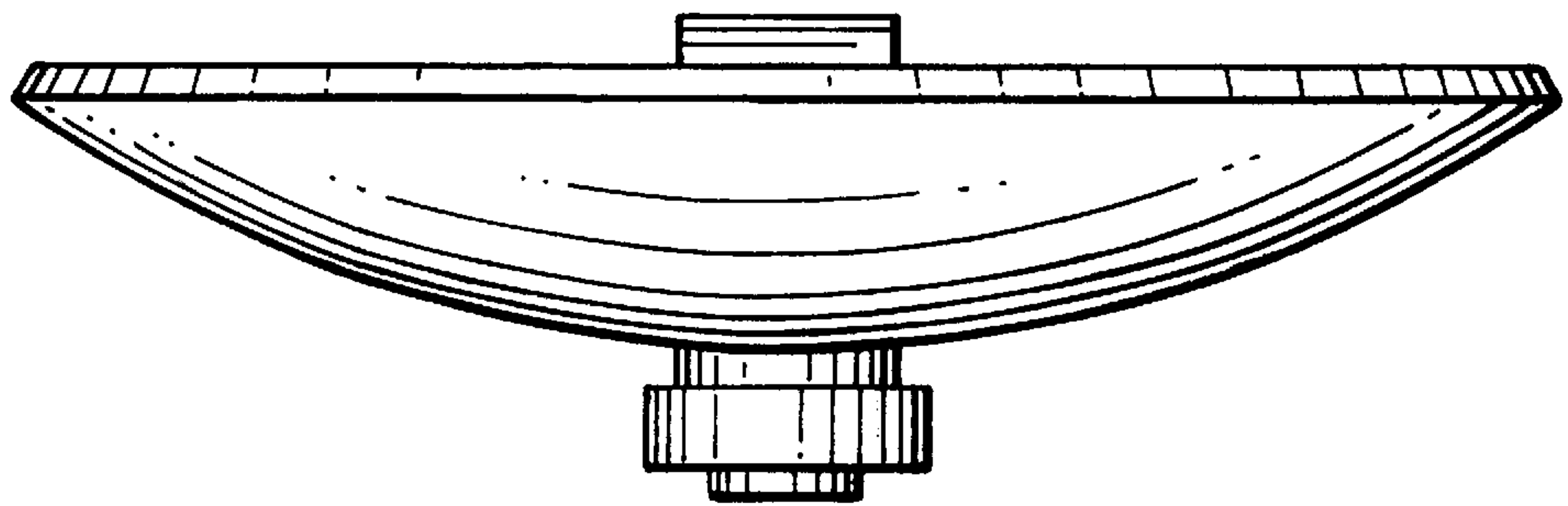


FIG. 4

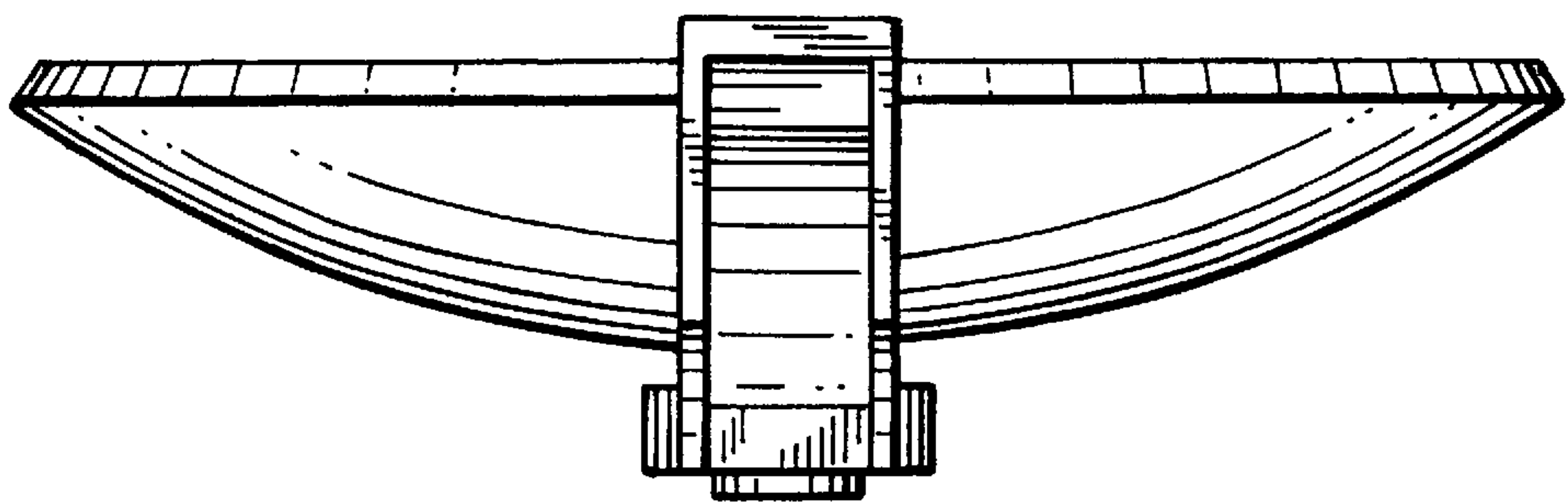
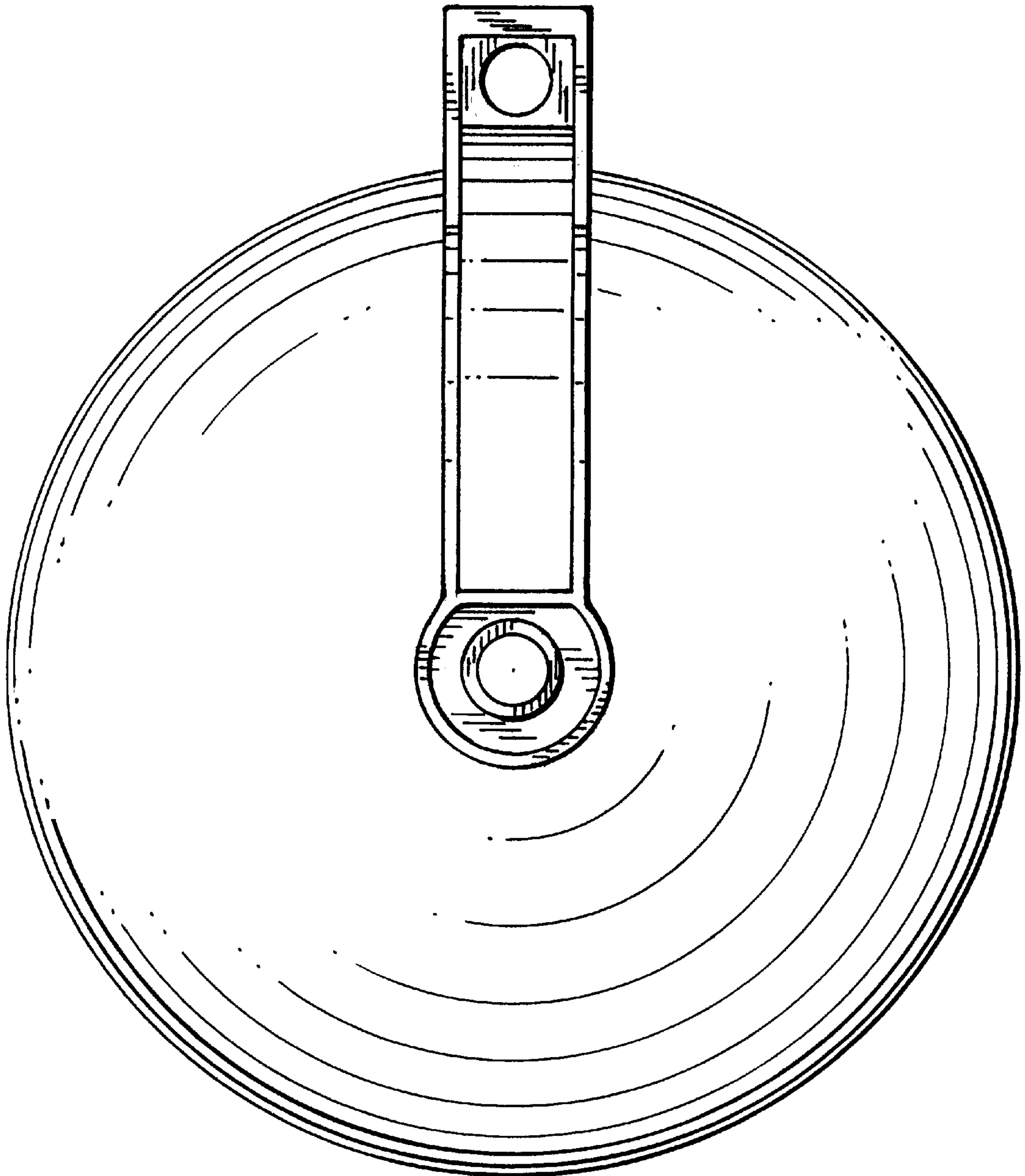


FIG. 5



FIG. 6



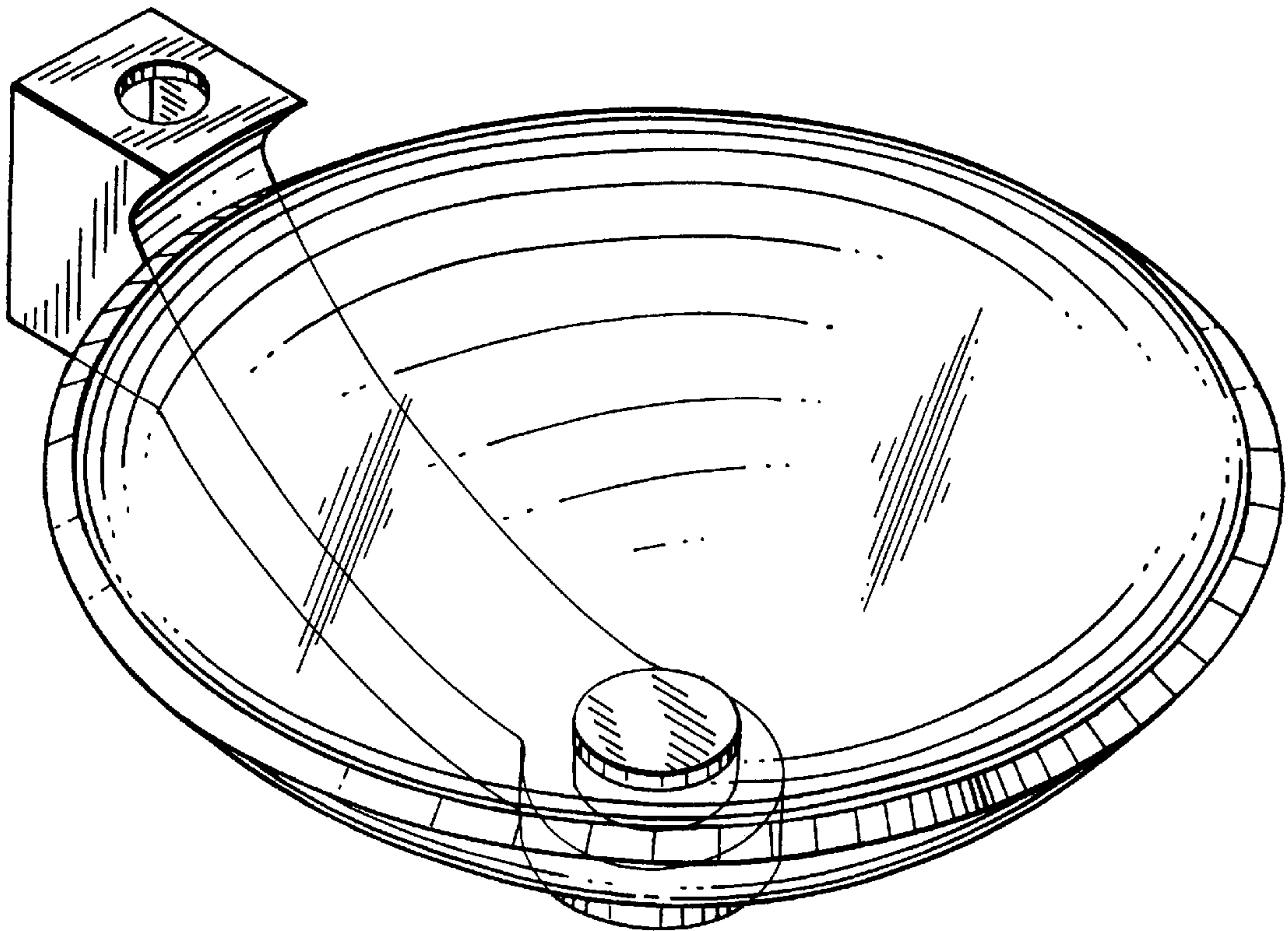


FIG. 7