



US00D455474S

(12) **United States Design Patent**
Knobel et al.

(10) **Patent No.:** **US D455,474 S**

(45) **Date of Patent:** **** Apr. 9, 2002**

(54) **BALL VALVE**

(75) Inventors: **Stephen Knobel; Michael Heimgartner**, both of Baden (CH)

(73) Assignee: **Georg Fischer Rohrleitungssysteme AG**, Schaffhausen (CH)

(**) Term: **14 Years**

(21) Appl. No.: **29/138,101**

(22) Filed: **Mar. 6, 2001**

(30) **Foreign Application Priority Data**

Sep. 12, 2000 (CH) 127307

(51) **LOC (7) Cl.** **23-01**

(52) **U.S. Cl.** **D23/245**

(58) **Field of Search** D23/233-236,
D23/244-245; 251/310, 315.14, 315.16

(56) **References Cited**

U.S. PATENT DOCUMENTS

4,605,199 A 8/1986 Bonissone et al.
D291,230 S * 8/1987 Kunz D23/233

D366,693 S * 1/1996 Gregor D23/245
D372,073 S * 7/1996 Ozaki et al. D23/245
D374,066 S * 9/1996 Gregor D23/233
5,553,831 A 9/1996 Ozaki et al.

* cited by examiner

Primary Examiner—Robin V. Taylor

(74) *Attorney, Agent, or Firm*—Bachman & LaPointe, P.C.

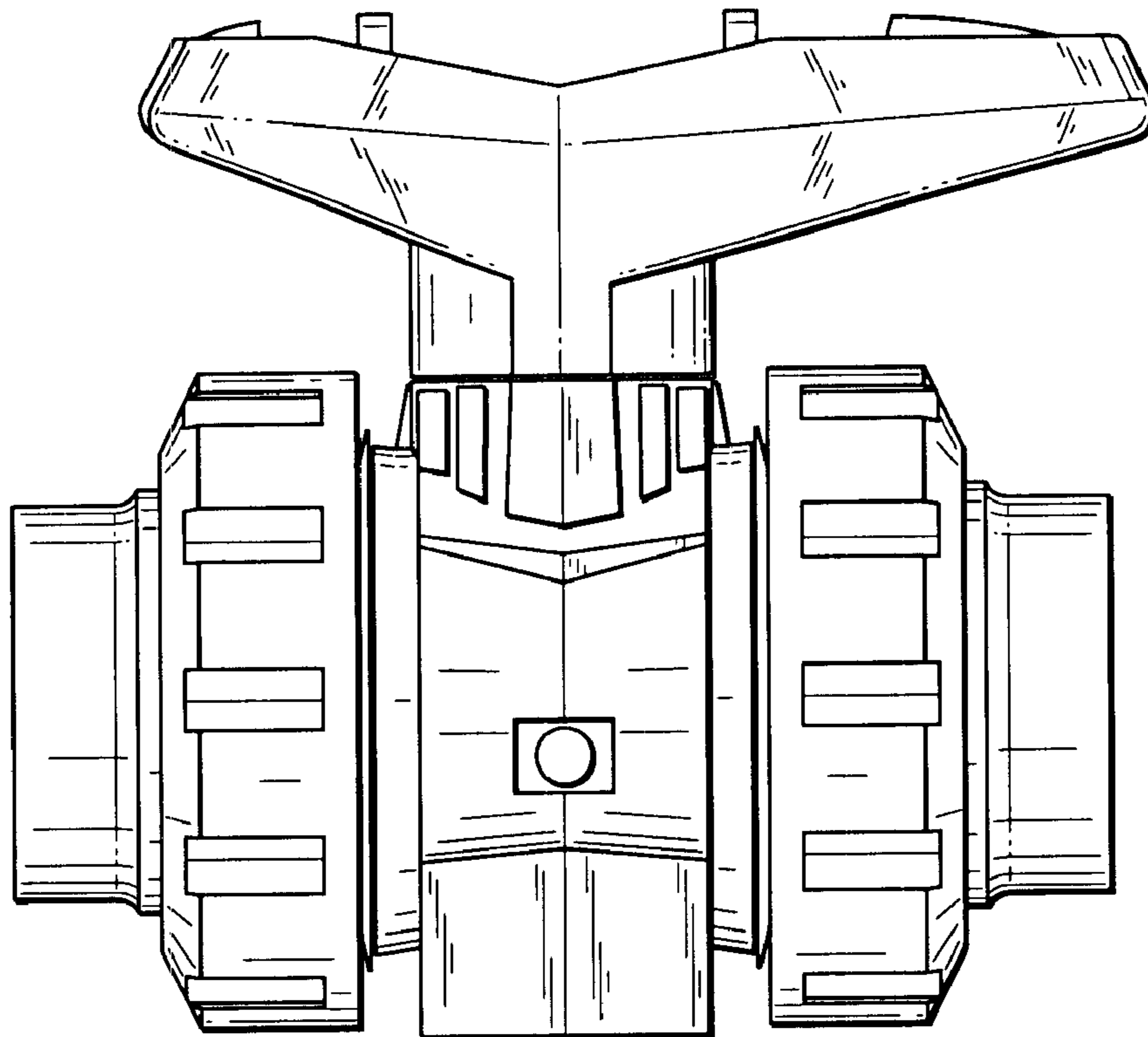
(57) **CLAIM**

The ornamental design for a ball valve, as shown and described.

DESCRIPTION

FIG. 1 is a front elevational view of a ball valve embodying the design of the present invention;
FIG. 2 is a back elevation view of the ball valve of FIG. 1;
FIG. 3 is a left-hand side elevation view of the ball valve of FIG. 1;
FIG. 4 is a right-hand side elevation view of the ball valve of FIG. 1;
FIG. 5 is a bottom elevation view of the ball valve of FIG. 1; and,
FIG. 6 is a top elevation view of the ball valve of FIG. 1.

1 Claim, 2 Drawing Sheets



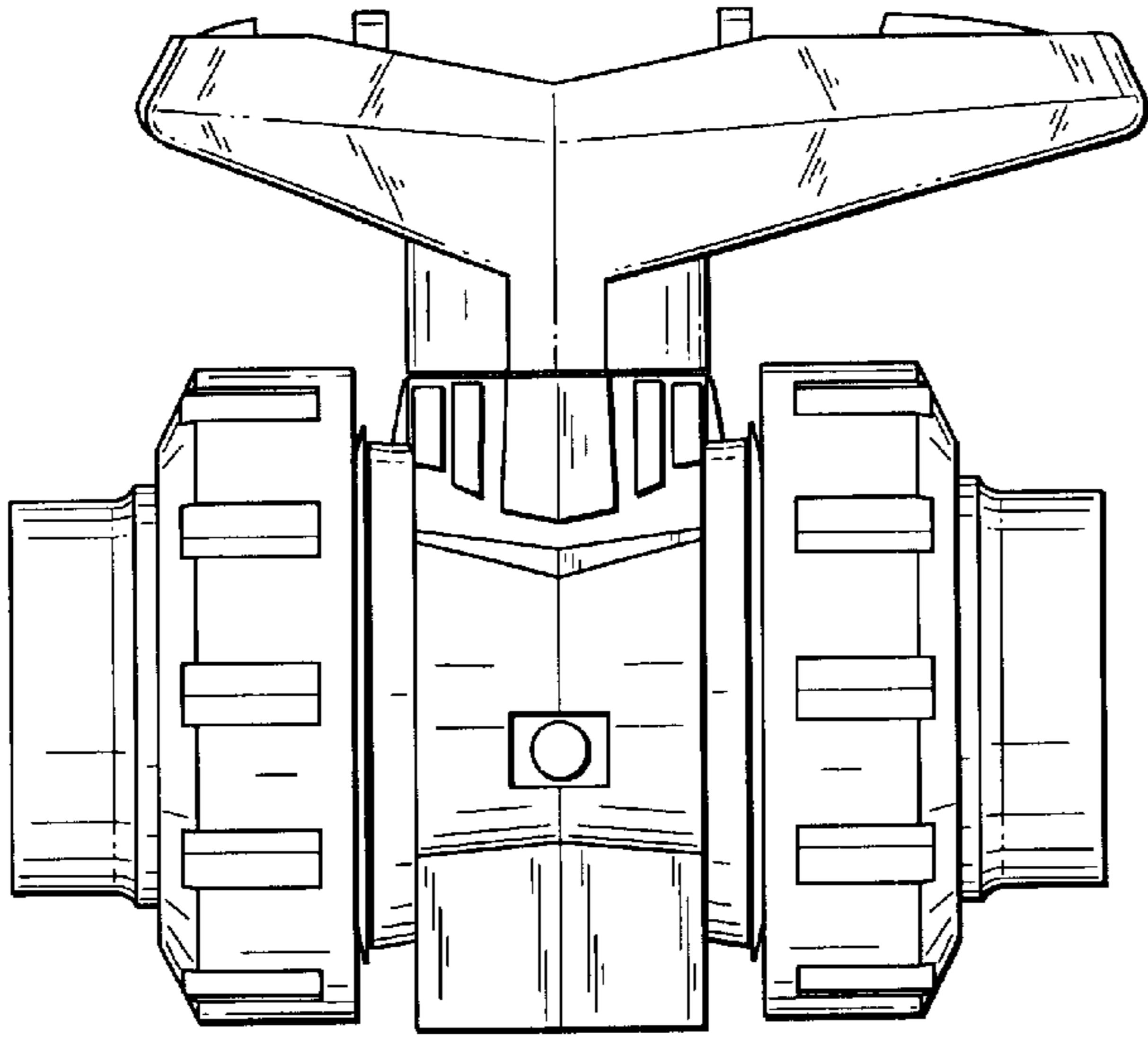


FIG. 1

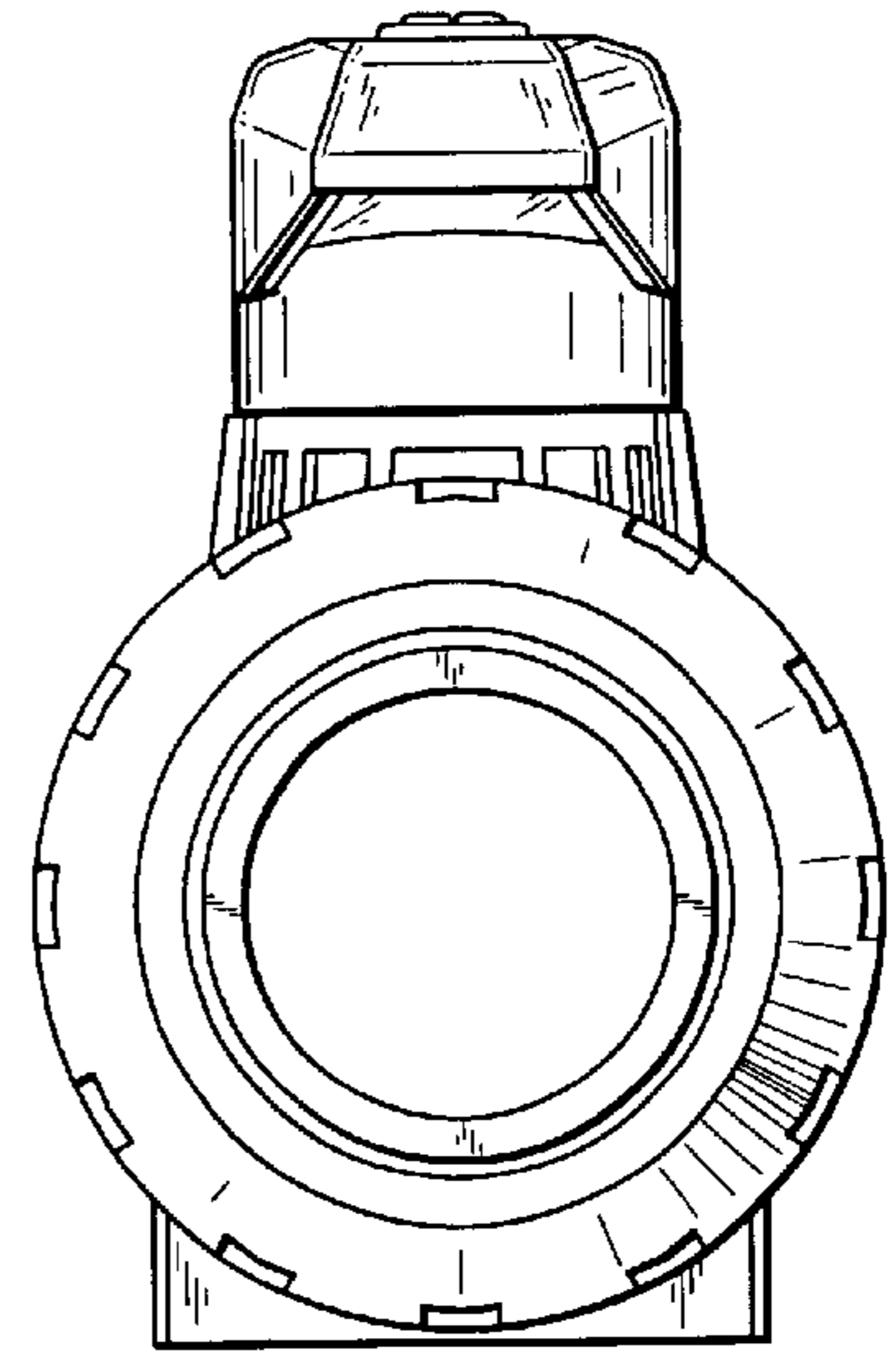


FIG. 3

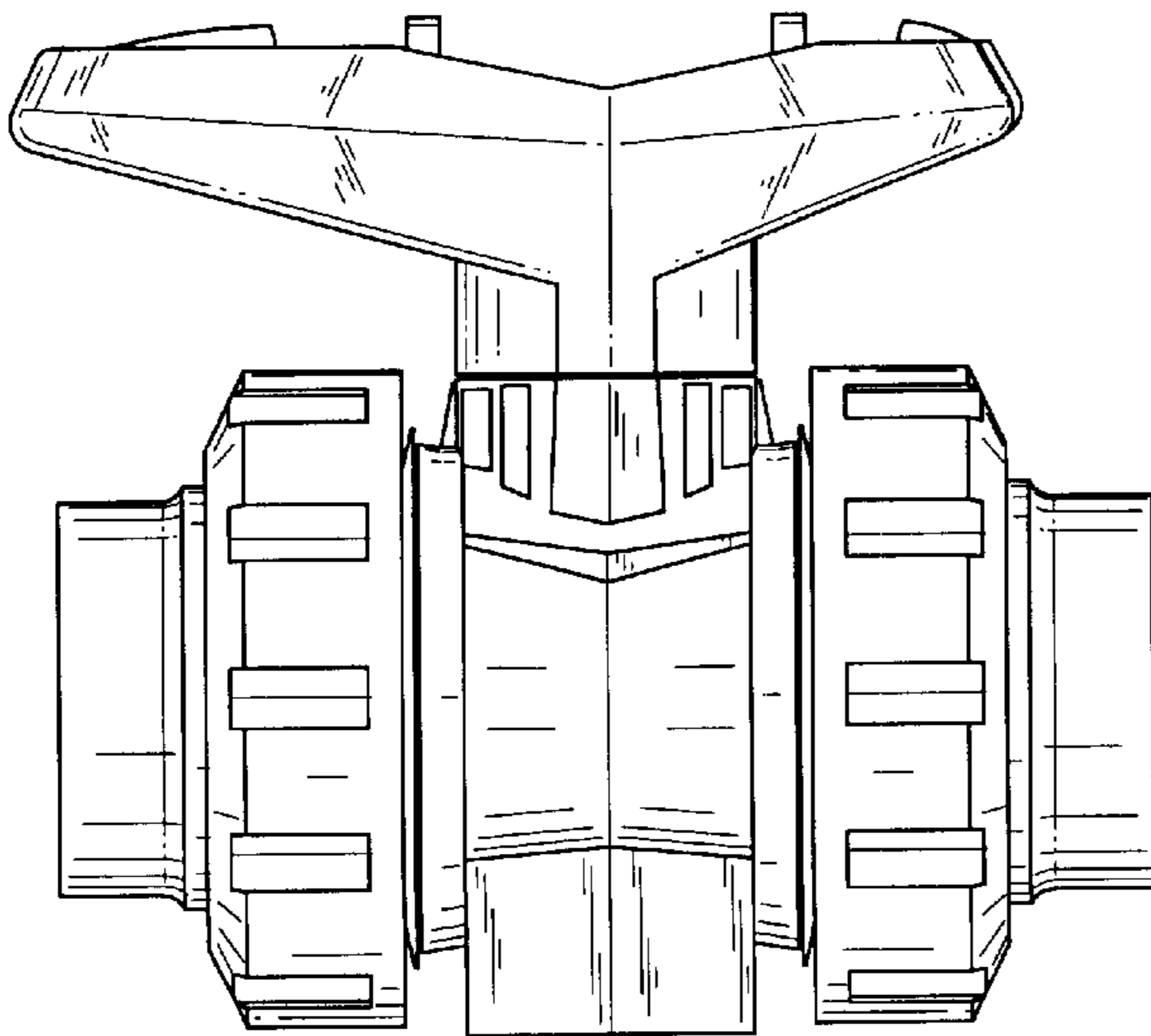


FIG. 2

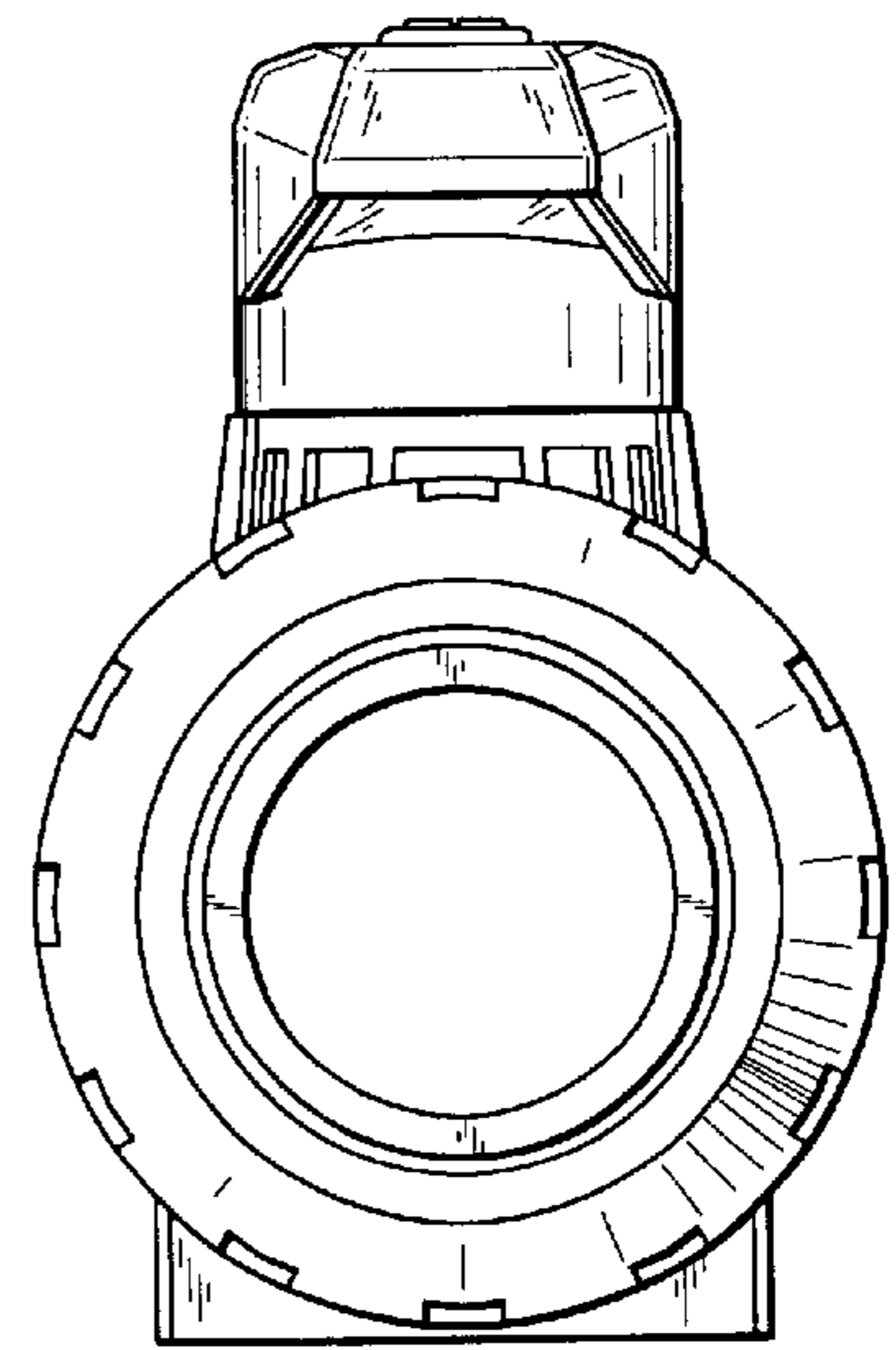


FIG. 4

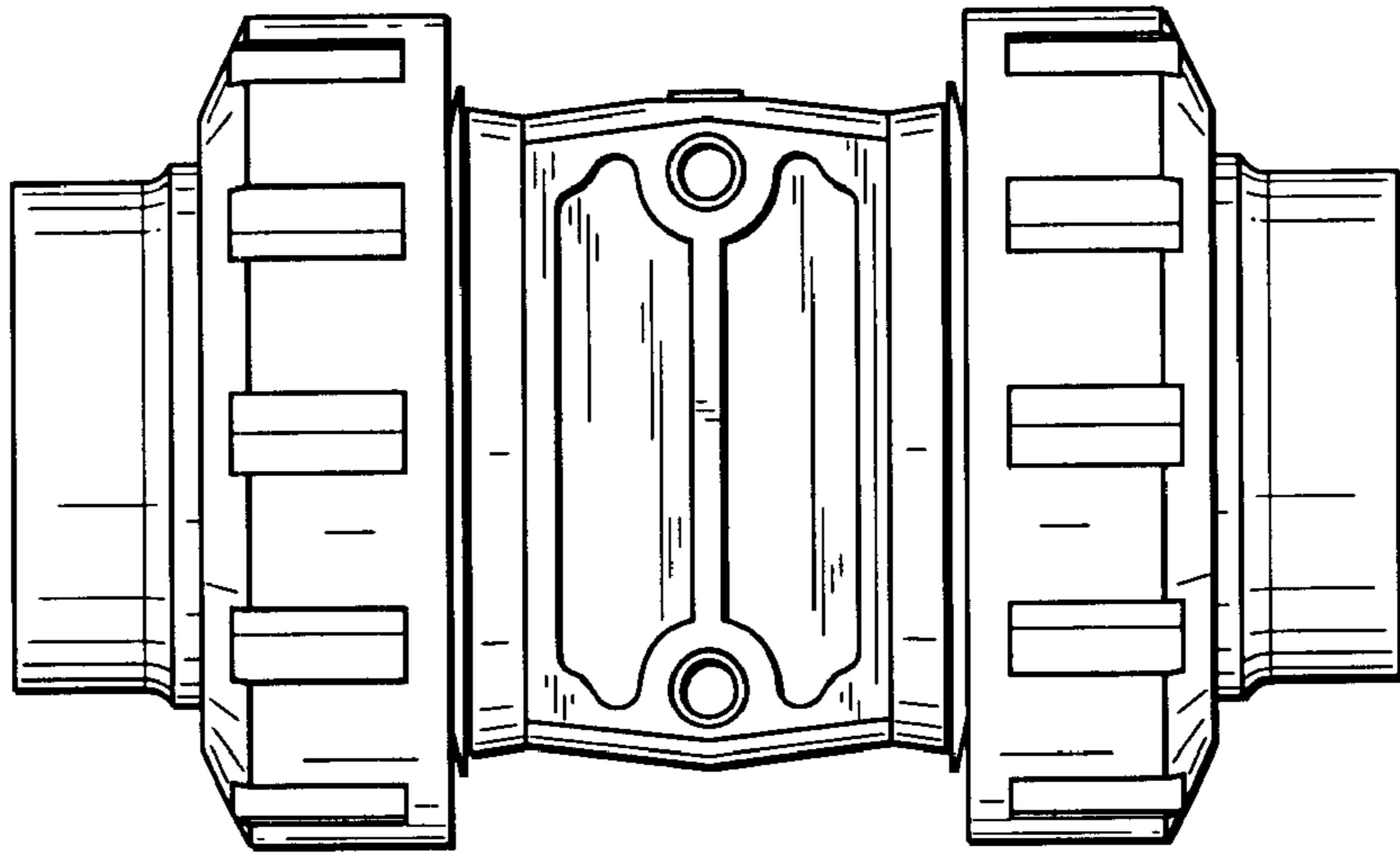


FIG. 5

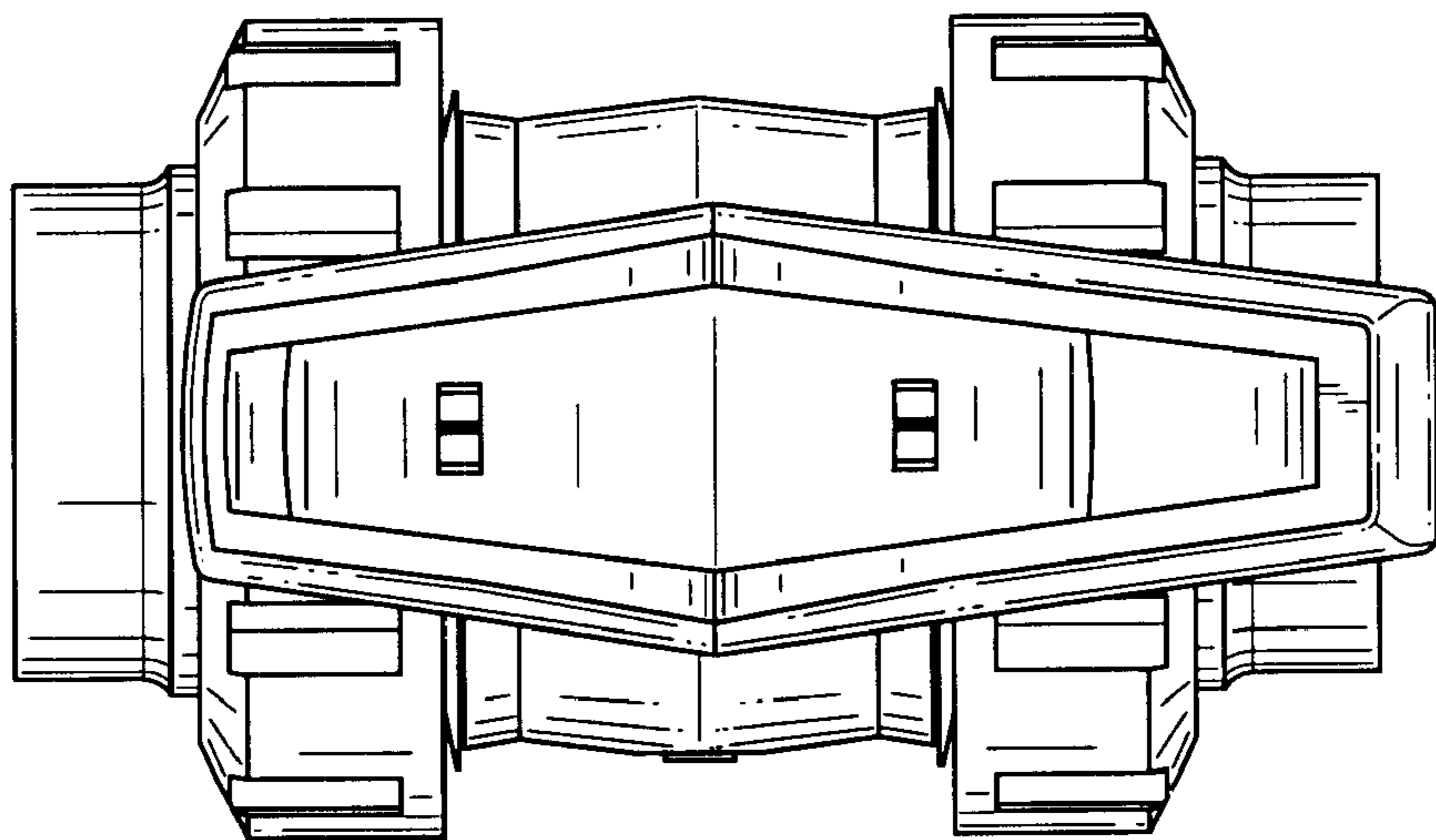


FIG. 6