



US00D455471S

(12) **United States Design Patent**
Bianco, Sr.

(10) **Patent No.:** **US D455,471 S**

(45) **Date of Patent:** **** Apr. 9, 2002**

(54) **DISABLING DEVICE FOR A REVOLVER-TYPE HANDGUN**

5,488,794 A * 2/1996 Arrequin
5,669,172 A * 9/1997 Goral 42/70.01

(76) **Inventor:** **Thomas A. Bianco, Sr.**, P.O. Box 784,
Wallingford, CT (US) 06492

* cited by examiner

(**) **Term:** **14 Years**

Primary Examiner—Louis S. Zarfes
Assistant Examiner—Monica A. Weingart
(74) *Attorney, Agent, or Firm*—Norman B. Rainer

(21) **Appl. No.:** **29/143,621**

(57) **CLAIM**

(22) **Filed:** **Jun. 18, 2001**

The ornamental design for a disabling device for a revolver-type handgun, as shown and described.

(51) **LOC (7) Cl.** **22-01**

DESCRIPTION

(52) **U.S. Cl.** **D22/108**

(58) **Field of Search** D22/100, 108,
D22/199; 42/70.01, 70.11, 96; D8/331,
333, 334, 336, 339; 70/19, 200, 230

FIG. 1 is a front and side perspective view of a disabling device for a revolver-type handgun, showing my new design and shown in operational association with a revolver-type handgun and padlock, both depicted in phantom outline and not parts of this invention;

(56) **References Cited**

U.S. PATENT DOCUMENTS

3,085,360 A * 4/1963 Robbins et al.
4,048,741 A * 9/1977 Chiodo et al.
4,092,794 A * 6/1978 Moren
4,761,906 A * 8/1988 Guevara
4,802,298 A * 2/1989 Baugus
4,969,284 A * 11/1990 Healey et al. 42/96
5,138,785 A * 8/1992 Paterson
5,241,770 A * 9/1993 Lambert 42/96
D349,323 S * 8/1994 Howard D22/108
5,367,811 A * 11/1994 Sansom 42/70.11

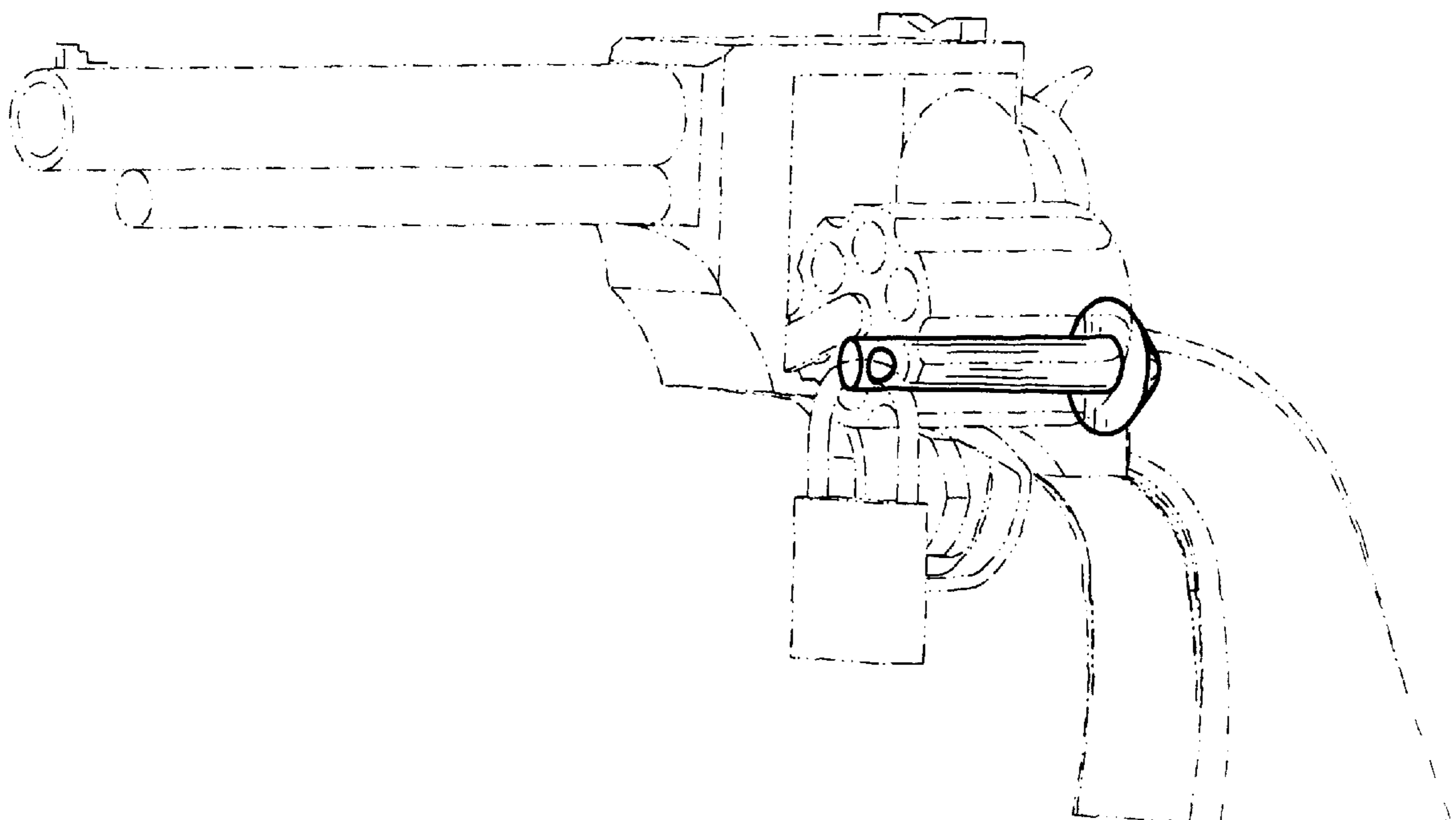
FIG. 2 is a top view thereof, the unshown bottom view being of identical appearance;

FIG. 3 is a side view thereof shown in operational association with the cylinder of a revolver-type handgun, shown in phantom outline and not a part of this invention, the opposite side being of identical appearance;

FIG. 4 is a front view thereof, taken from the left of FIG. 2; and,

FIG. 5 is a rear view thereof, taken from the right of FIG. 2.

1 Claim, 1 Drawing Sheet



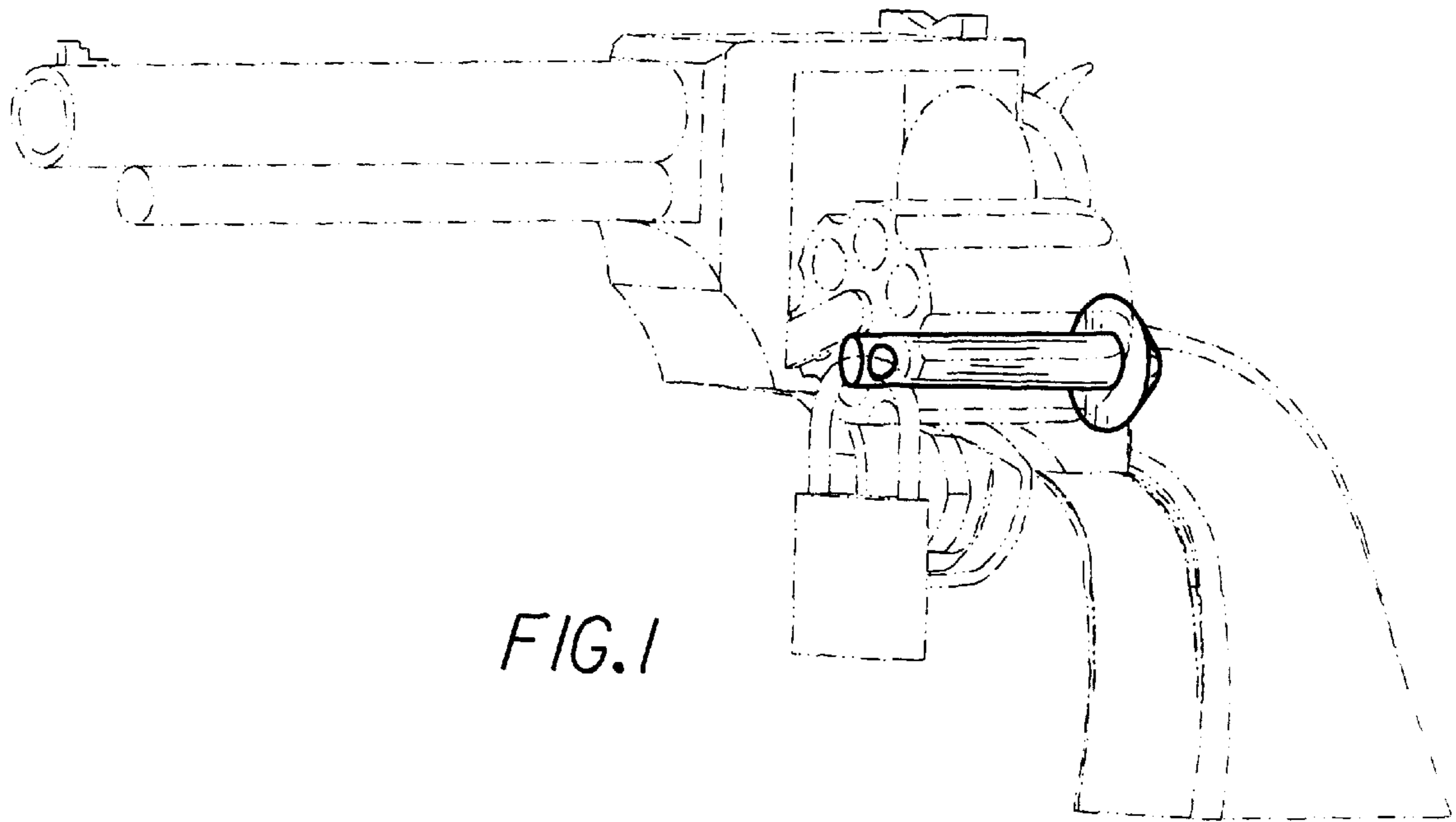


FIG. 1

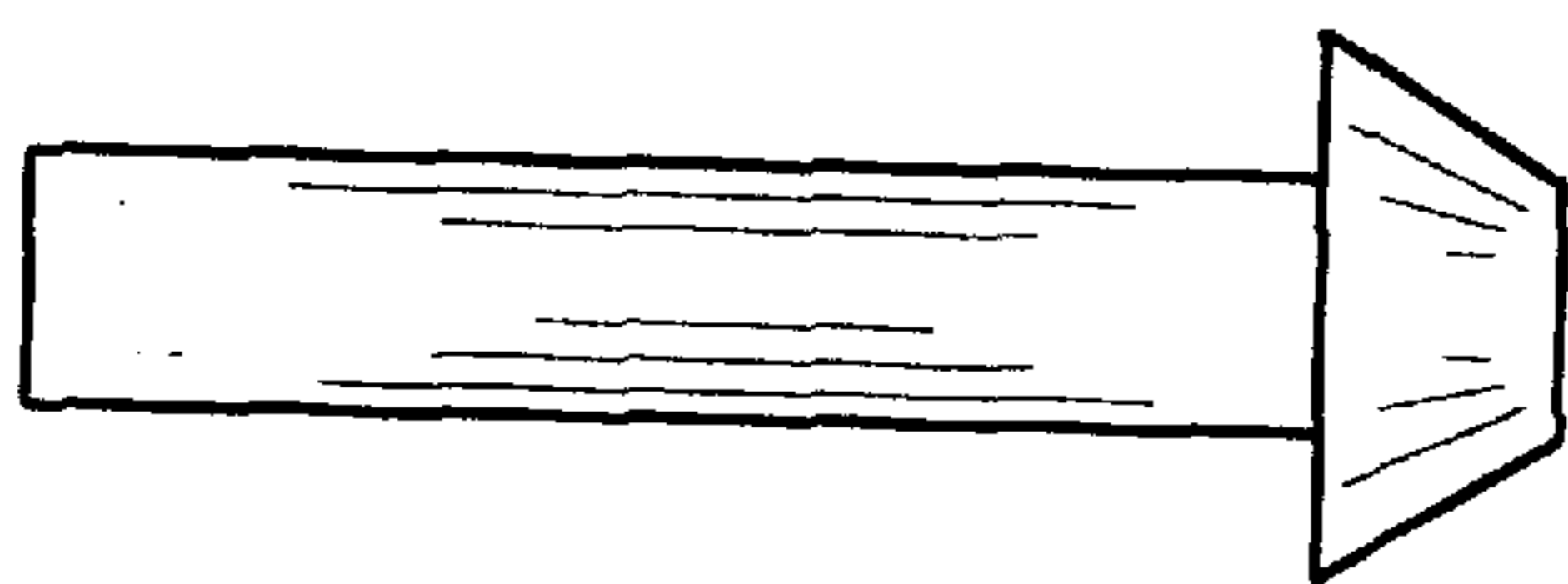


FIG. 2

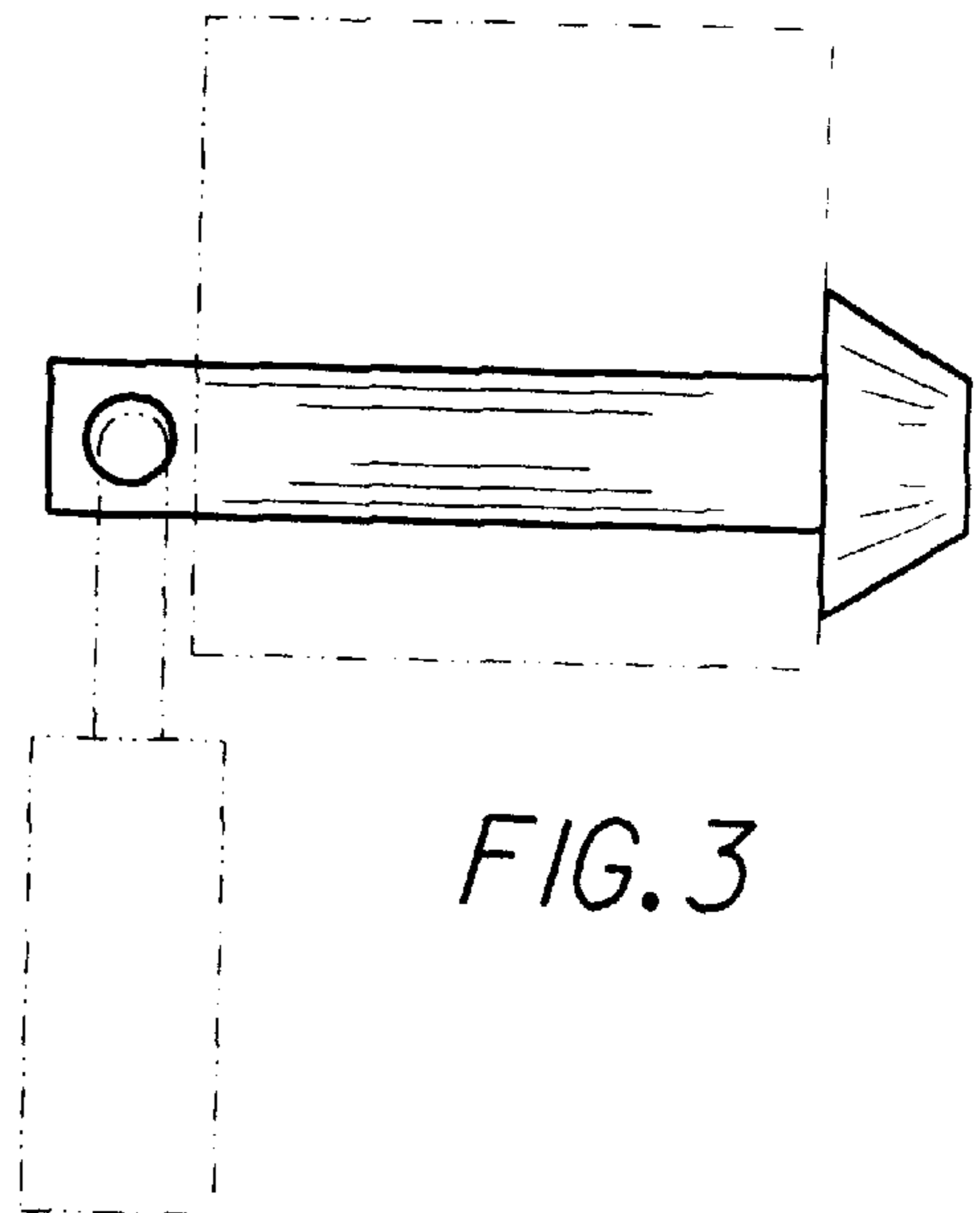


FIG. 3

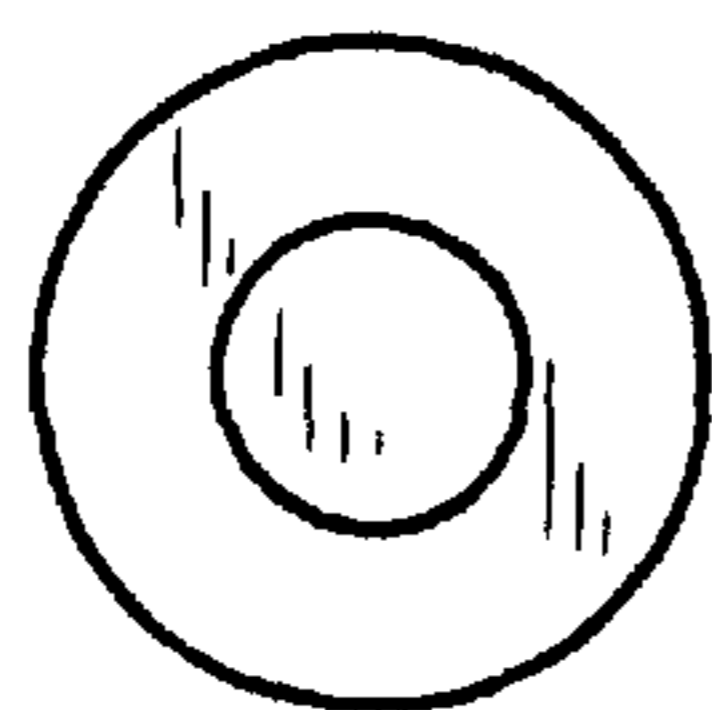


FIG. 4

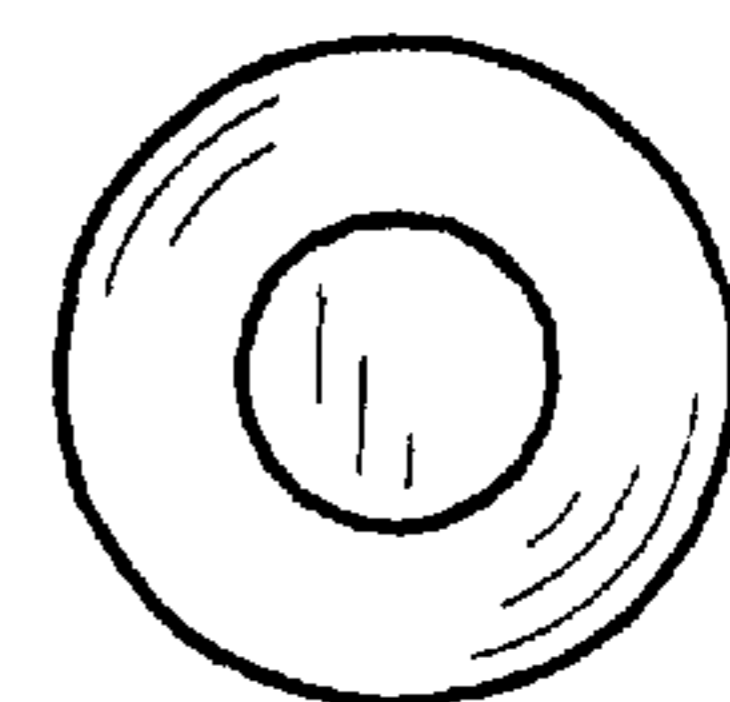


FIG. 5