



US00D455470S

(12) **United States Design Patent**
Blackwood

(10) **Patent No.:** **US D455,470 S**

(45) **Date of Patent:** **** Apr. 9, 2002**

(54) **PLAYGROUND DECK LINK**

(75) Inventor: **Kim Blackwood**, Blountsville, AL (US)

(73) Assignee: **Playcore, Inc.**, Janesville, WI (US)

(**) Term: **14 Years**

(21) Appl. No.: **29/130,974**

(22) Filed: **Oct. 12, 2000**

(51) **LOC (7) Cl.** **21-03**

(52) **U.S. Cl.** **D21/826**

(58) **Field of Search** D21/811, 814,
D21/818-826; 482/35, 36

(56) **References Cited**

U.S. PATENT DOCUMENTS

| | | | | | |
|------------|---|---------|---------------|-------|---------|
| D235,792 S | * | 7/1975 | Wormser | | D21/826 |
| D252,166 S | * | 6/1979 | Dieter et al. | | D21/826 |
| D253,362 S | * | 11/1979 | Dieter et al. | | D21/822 |

* cited by examiner

Primary Examiner—Mitchell Siegel
(74) *Attorney, Agent, or Firm*—Welsh & Katz, Ltd.

(57) **CLAIM**

The ornamental design for a playground deck link, substantially as shown.

DESCRIPTION

FIG. 1 is a perspective view of the playground deck link design;

FIG. 2 is a top plan view thereof, the bottom being substantially a mirror image;

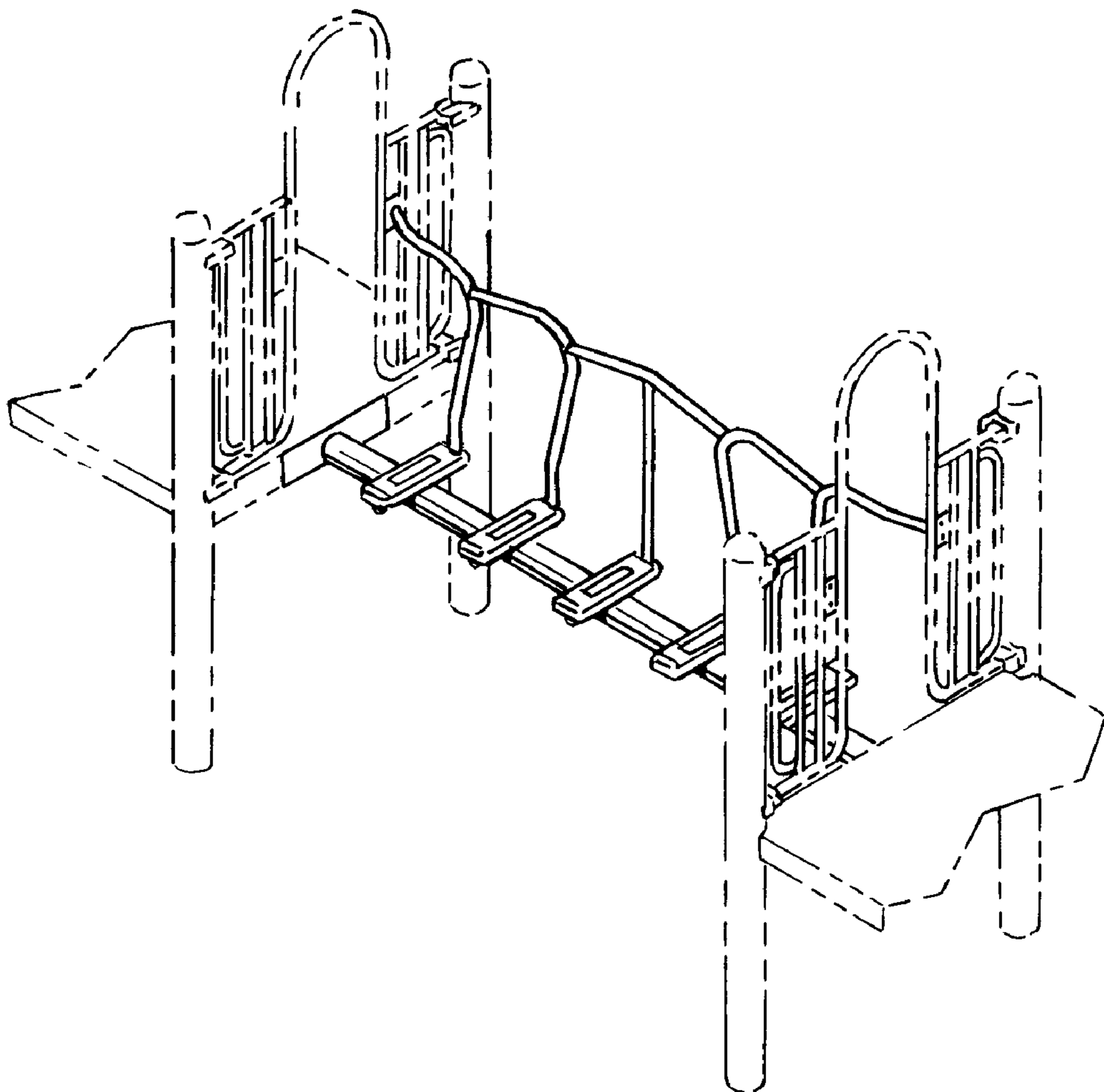
FIG. 3 is a right side elevational view thereof, the left side being substantially a mirror image;

FIG. 4 is a front elevational view thereof, the rear view being substantially a mirror image; and,

FIG. 5 is a perspective view of a second embodiment of the playground deck link.

The phantom line showing of environment is for illustrative purposes only and forms no part of the claimed design.

1 Claim, 1 Drawing Sheet



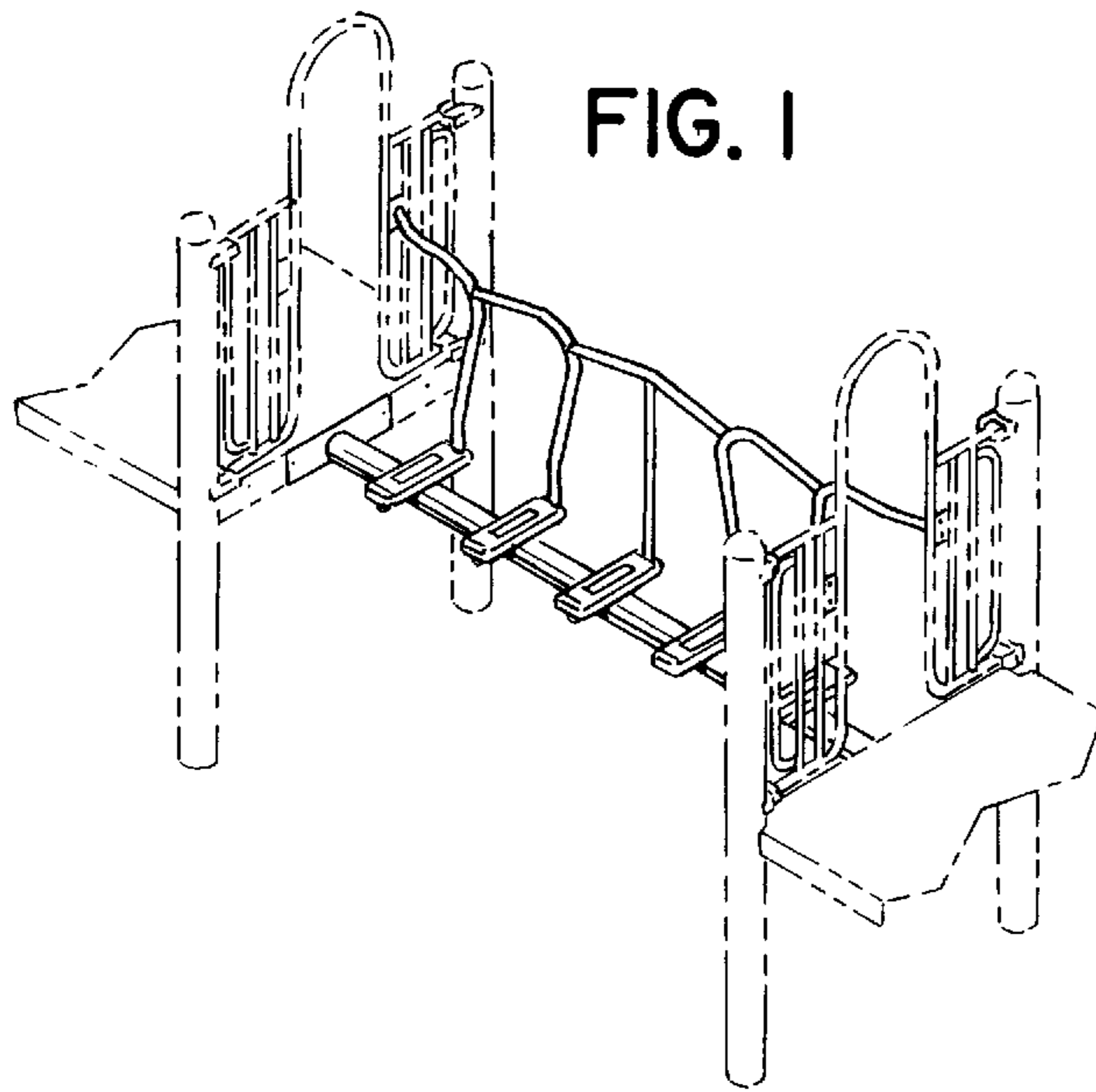


FIG. 1

FIG. 2

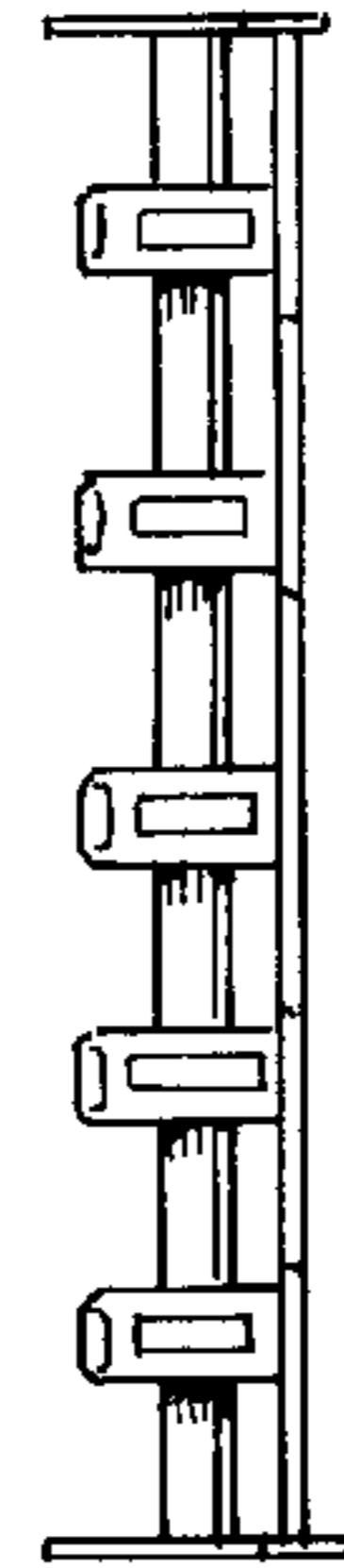


FIG. 3

FIG. 4

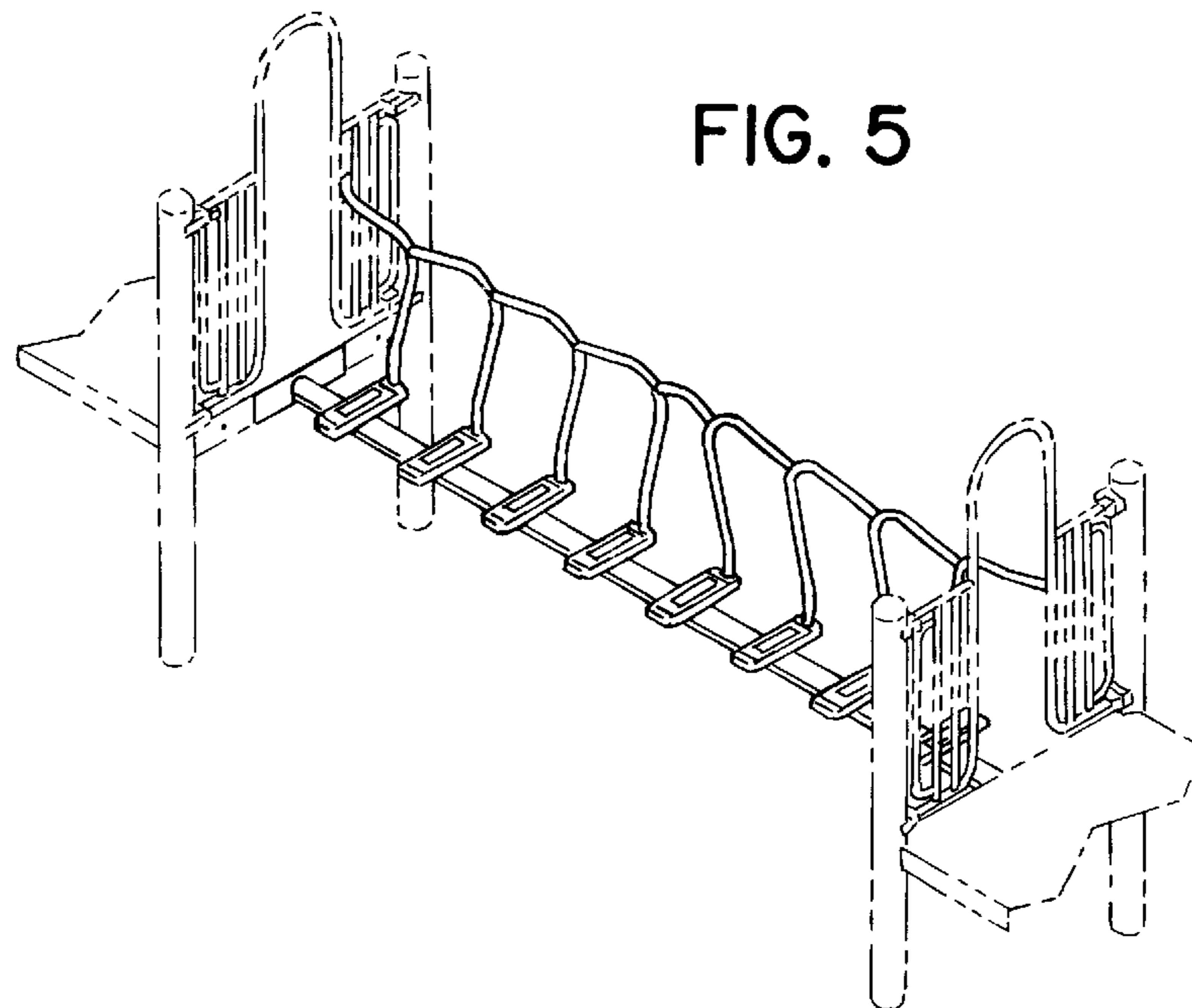
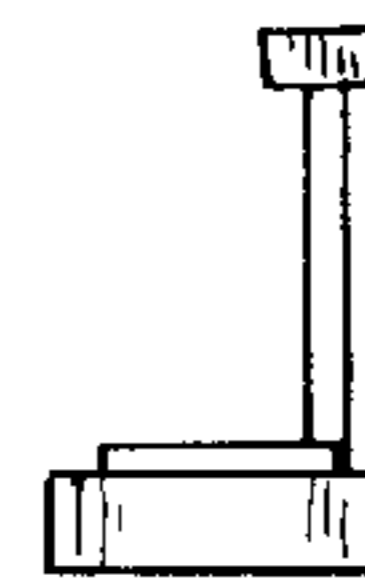
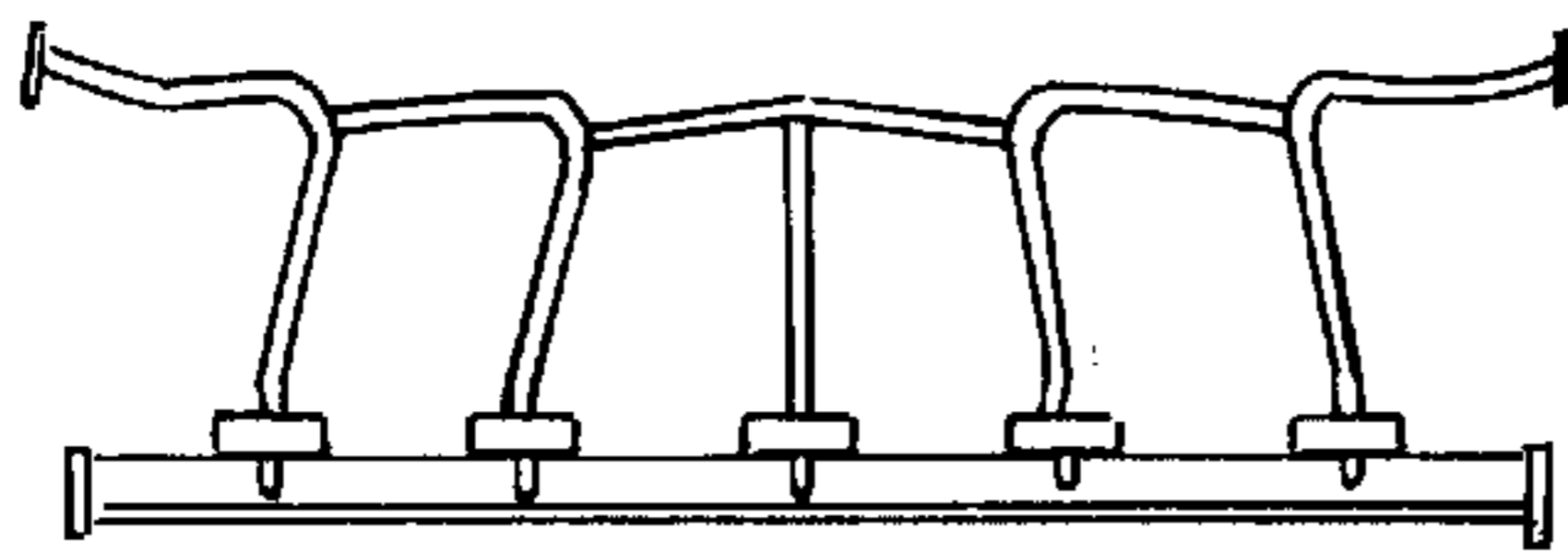


FIG. 5