



US00D455469S

(12) **United States Design Patent**
Kyrwood

(10) **Patent No.:** **US D455,469 S**

(45) **Date of Patent:** **** *Apr. 9, 2002**

(54) **GOLF CLUB SUPPORT**

5,755,332 A 5/1998 Holliday et al.
5,779,043 A * 7/1998 Hsu et al. 206/315.6
5,803,252 A * 9/1998 Huo-Chaun 206/315.6

(76) Inventor: **William Stephen Kyrwood**, 89
Brighton Avenue, Toronto, New South
Wales, 2283 (AU)

(*) Notice: This patent is subject to a terminal dis-
claimer.

(**) Term: **14 Years**

(21) Appl. No.: **29/118,465**

(22) Filed: **Feb. 8, 2000**

(30) **Foreign Application Priority Data**

Aug. 9, 1999 (AU) 2502/99

(51) **LOC (7) Cl.** **21-02**

(52) **U.S. Cl.** **D21/789; D21/796**

(58) **Field of Search** **D21/789, 796;**
206/315.6, 315.2, 315.3; 211/70.2

(56) **References Cited**

U.S. PATENT DOCUMENTS

| | | | |
|---------------|---------|----------------------|--|
| 2,436,687 A | 2/1948 | Corbett | |
| 3,503,518 A | 3/1970 | Black | |
| 3,534,795 A | 10/1970 | Wiedenmeier | |
| 4,055,207 A | 10/1977 | Goodwin | |
| 4,200,131 A | 4/1980 | Chitwood et al. | |
| 4,208,227 A | 6/1980 | Cowan | |
| 4,340,102 A | 7/1982 | Isabel | |
| D293,852 S | 1/1988 | Scroggins | |
| 4,960,212 A | 10/1990 | Wu | |
| 5,029,703 A | 7/1991 | Dulyea, Sr. | |
| 5,228,566 A | 7/1993 | Shenoha | |
| 5,238,109 A | 8/1993 | Smith | |
| 5,267,660 A | 12/1993 | Kwon | |
| 5,279,414 A | 1/1994 | Brasher | |
| D361,207 S | 8/1995 | Meyer | |
| 5,617,951 A * | 4/1997 | Wick 206/315.6 | |
| D384,503 S | 10/1997 | Kyrwood | |

FOREIGN PATENT DOCUMENTS

| | | |
|----|----------|---------|
| AU | S-122985 | 3/1995 |
| AU | 15716/95 | 8/1995 |
| GB | 2326105 | 12/1998 |

OTHER PUBLICATIONS

Par Golf Manufacturing Co., Inc. 1968 Cat., p. 36.

* cited by examiner

Primary Examiner—Mitchell Siegel

(74) *Attorney, Agent, or Firm*—D Peter Hochberg;
Katherine R Vieyra; William H Holt

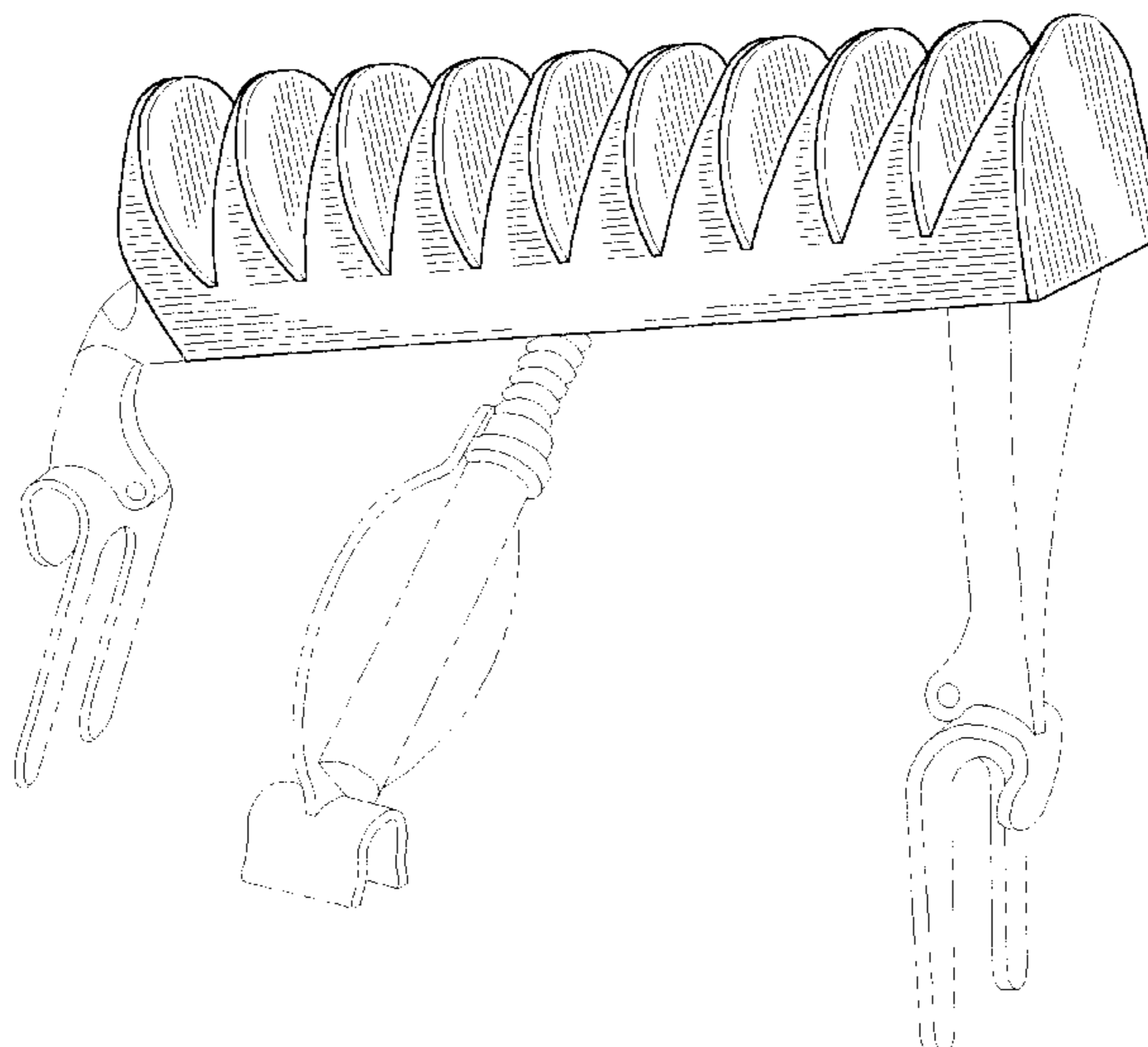
(57) **CLAIM**

The ornamental design for a golf club support, as shown and described.

DESCRIPTION

FIG. 1 is a perspective view of the golf club support with the base members shown in phantom;
FIG. 2 is a top view of the golf club support as shown in FIG. 1 with the base members shown in phantom;
FIG. 3 is a front view of the golf club support as shown in FIG. 1 with the base members shown in phantom;
FIG. 4 is a rear view of the golf club support as shown in FIG. 1 with the base members shown in phantom;
FIG. 5 is a right-side view of the golf club support as shown in FIG. 1 with the base members shown in phantom;
FIG. 6 is a left-side view of the golf club support as shown in FIG. 1 with the base members shown in phantom; and,
FIG. 7 is a bottom view of the golf club support as shown in FIG. 1 with the base members shown in phantom.
The broken line showing of is for illustrative purposes only and forms no part of the claimed design.

1 Claim, 3 Drawing Sheets



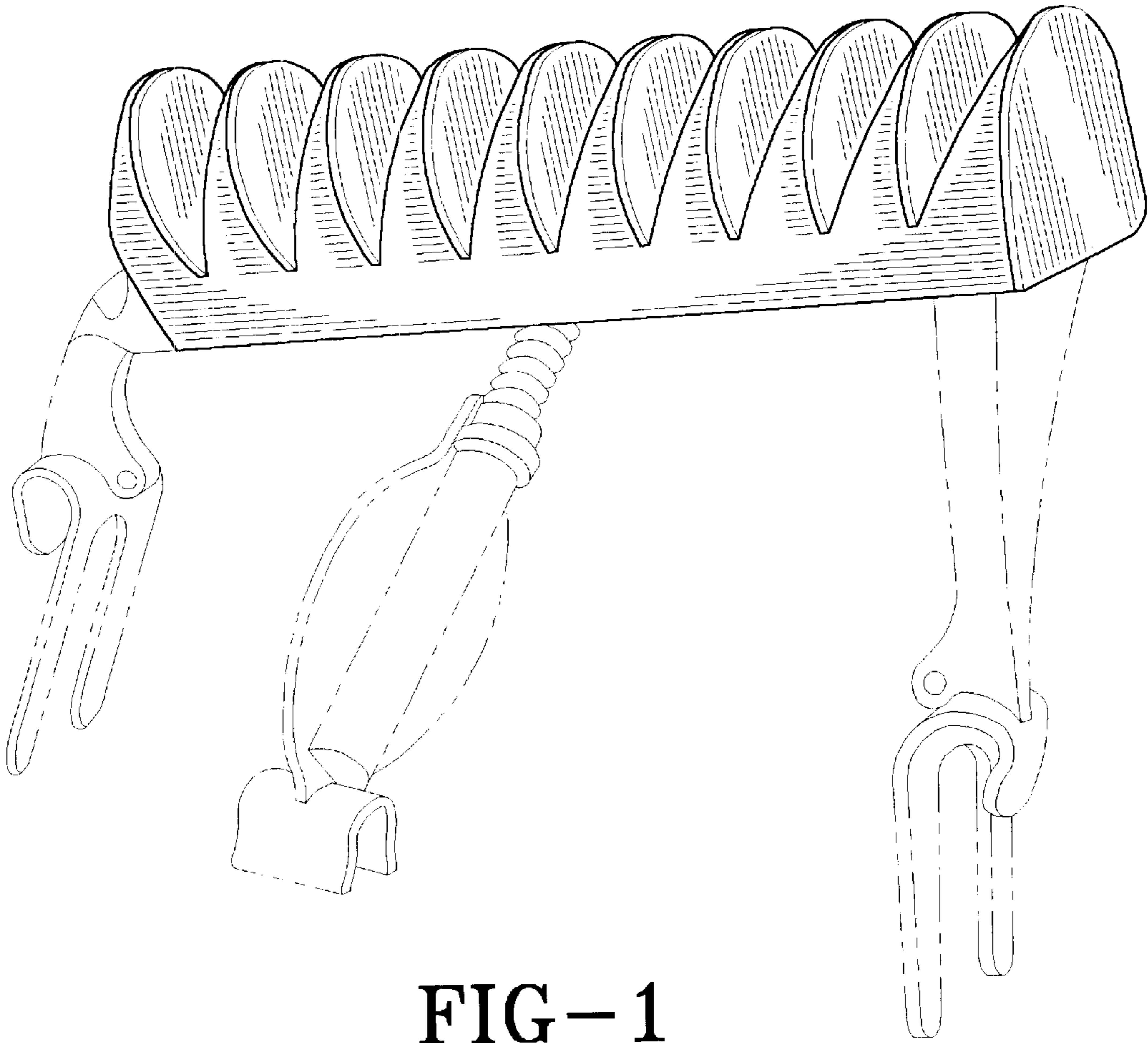


FIG-1

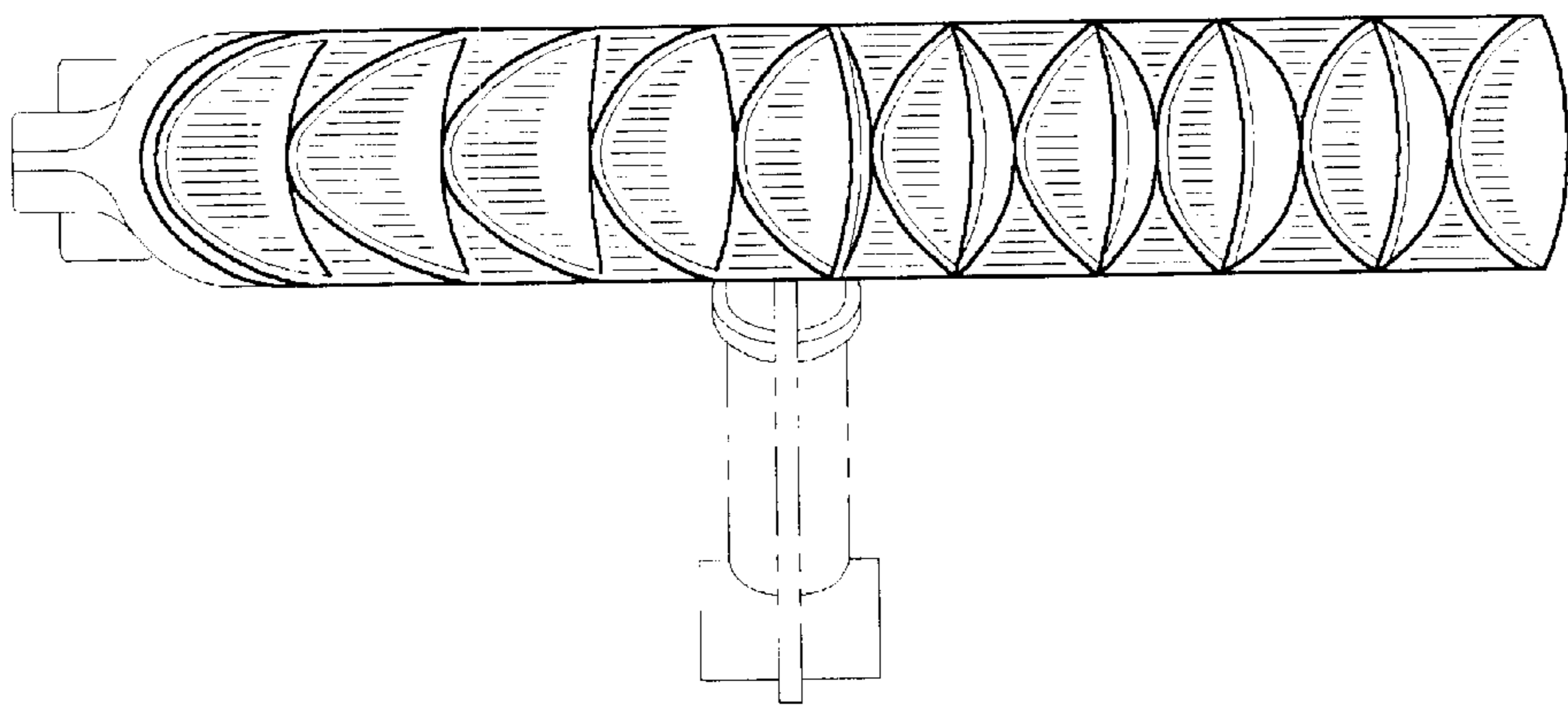


FIG-2

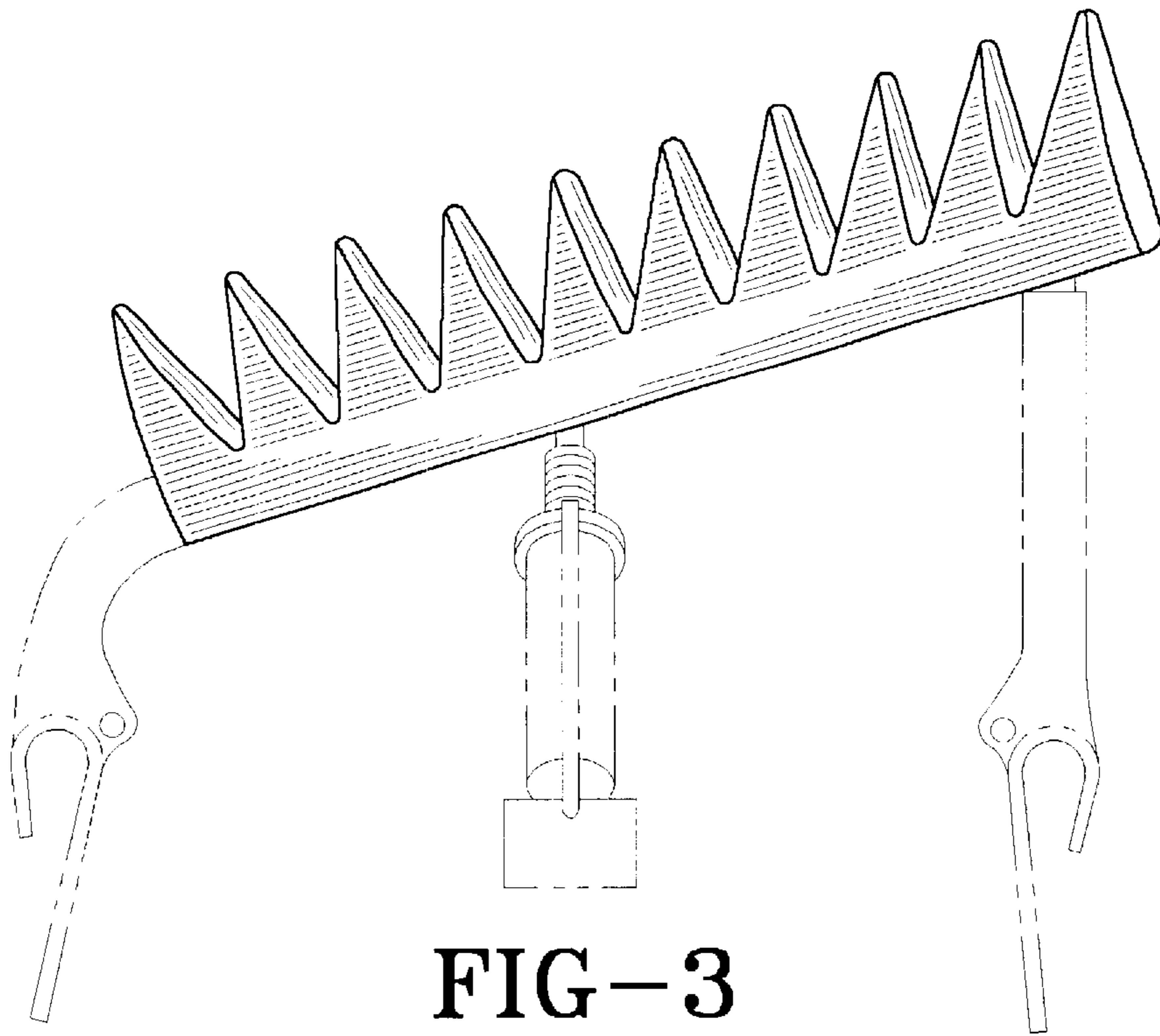


FIG-3

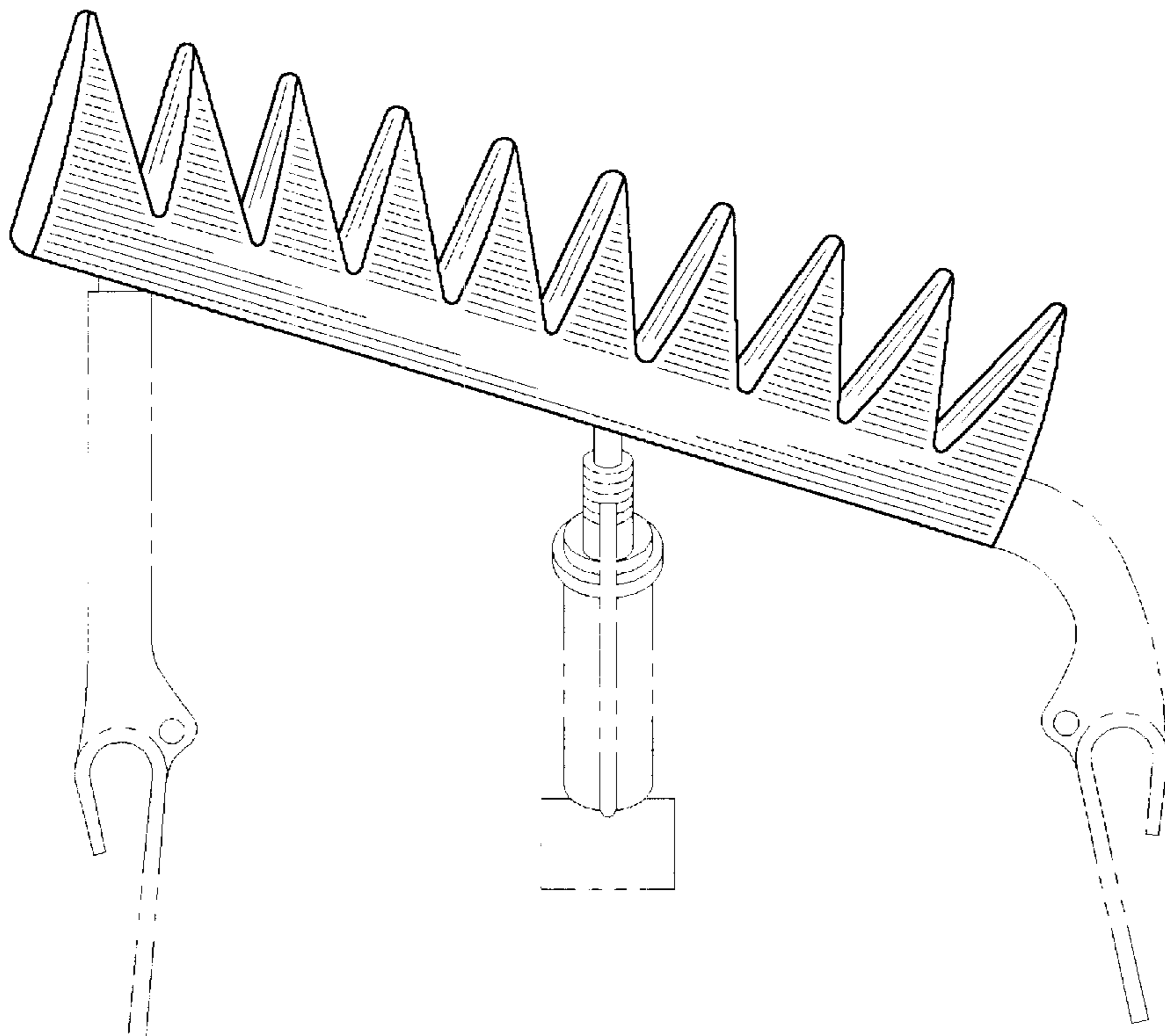


FIG-4

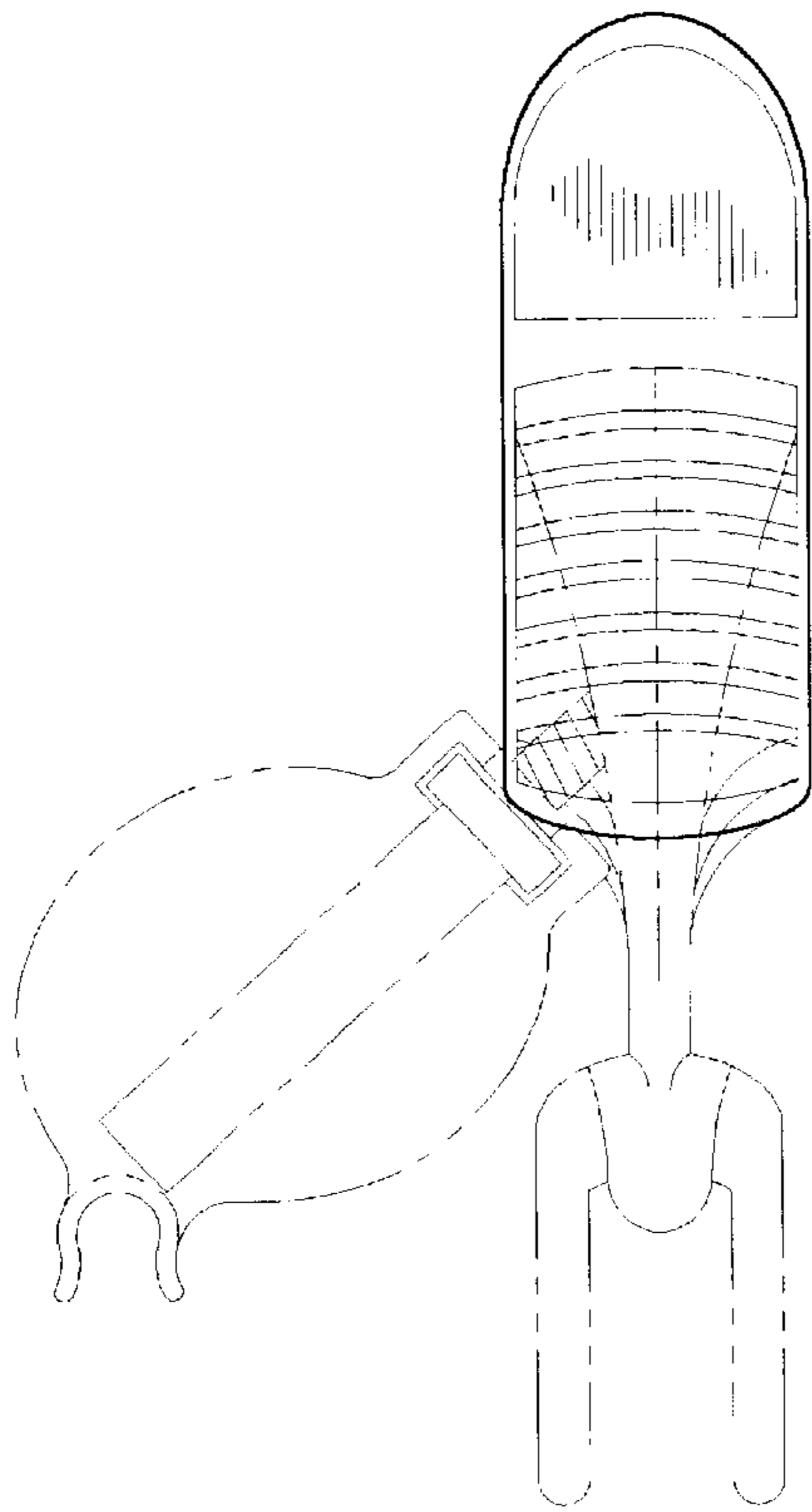


FIG-5

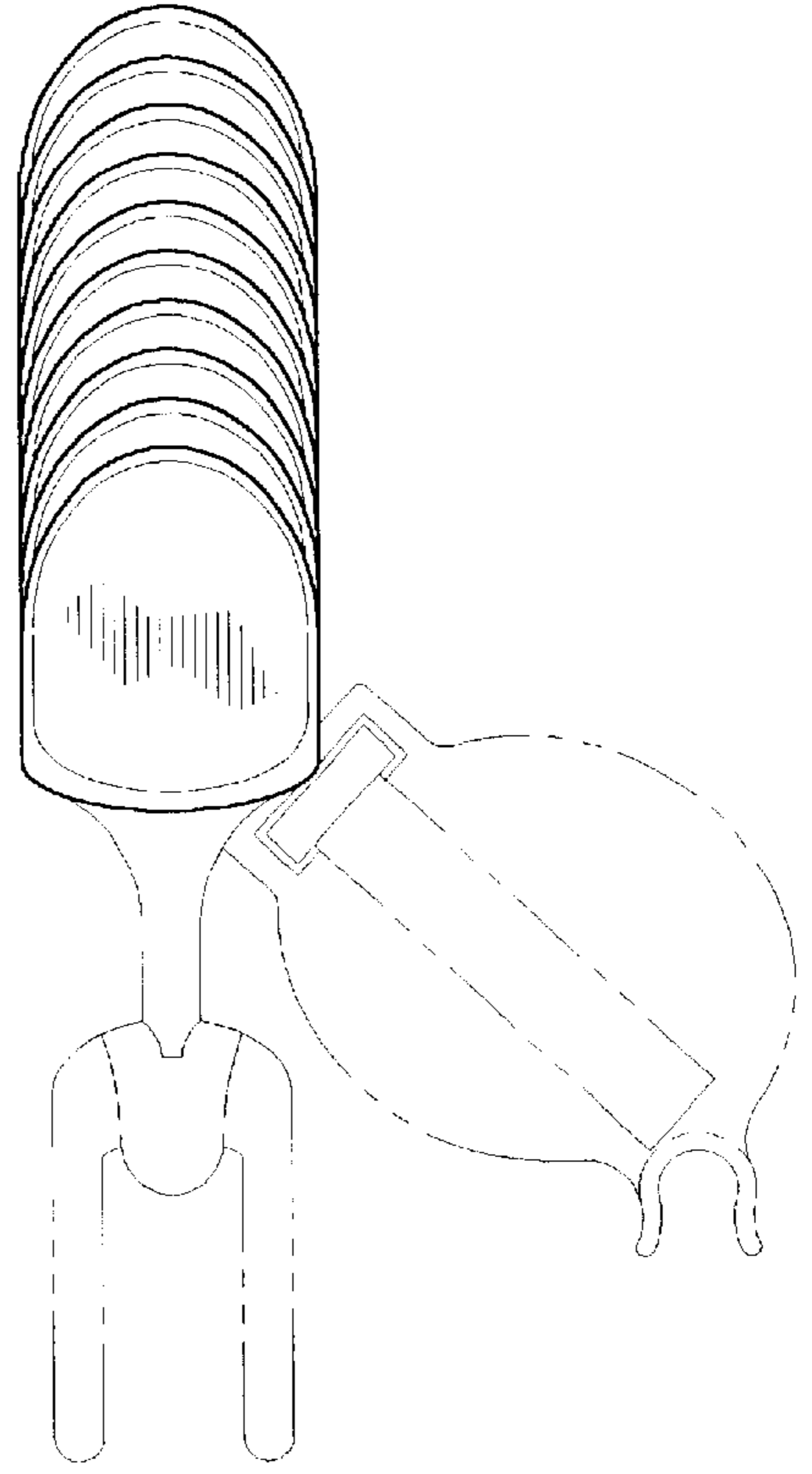


FIG-6

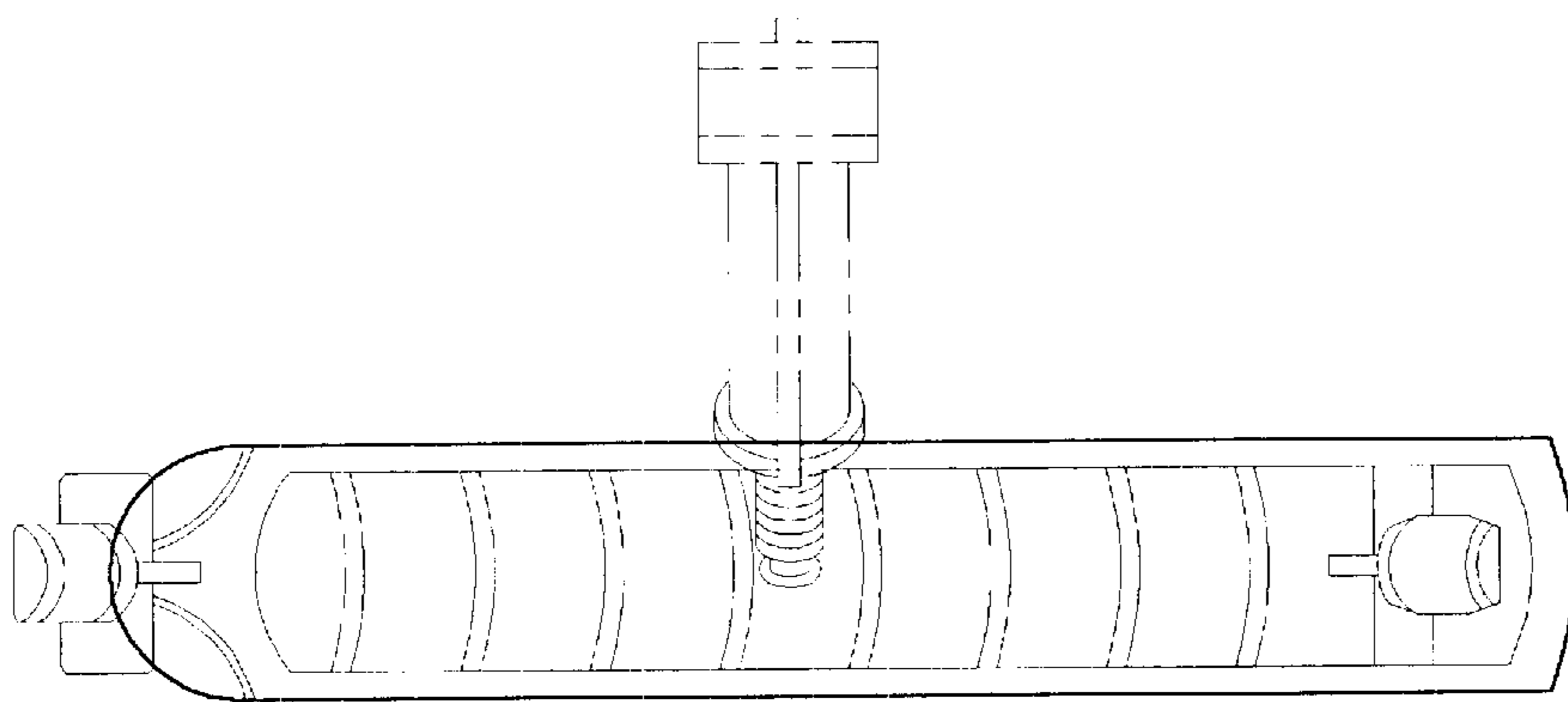


FIG-7