



US00D455467S

(12) **United States Design Patent**
Shenoha

(10) **Patent No.:** **US D455,467 S**

(45) **Date of Patent:** **** Apr. 9, 2002**

(54) **GOLF PUTTER HEAD**

(75) Inventor: **James L. Shenoha**, Lockport, IL (US)

(73) Assignee: **Tour Edge Golf Manufacturing Company**, St. Charles, IL (US)

(**) Term: **14 Years**

(21) Appl. No.: **29/147,024**

(22) Filed: **Aug. 21, 2001**

Related U.S. Application Data

(62) Division of application No. 29/129,987, filed on Sep. 25, 2000.

(51) **LOC (7) Cl.** **21-02**

(52) **U.S. Cl.** **D21/736**

(58) **Field of Search** D21/736-746;
473/251-256, 324, 327-329, 340, 341

(56) **References Cited**

U.S. PATENT DOCUMENTS

2,478,468 A	*	9/1949	Drake	473/313
D228,930 S		10/1973	Leigh	
D230,750 S		3/1974	Ehrich	
3,815,910 A		6/1974	Raines	
3,989,257 A	*	11/1976	Barr	473/251
4,163,554 A		8/1979	Bernhardt	
D264,366 S	*	5/1982	Roskopf et al.	D21/741
D271,604 S		11/1983	Stone et al.	
4,927,144 A		5/1990	Stormon	
D313,448 S	*	1/1991	Pezzuti	D21/738
D335,693 S	*	5/1993	Siegel	D21/738
5,267,733 A		12/1993	Szokola	
5,344,149 A		9/1994	Miller	
5,382,019 A		1/1995	Sneed	
5,437,447 A		8/1995	Rigutto	
5,454,564 A		10/1995	Kronogard	
5,544,879 A		8/1996	Collins	

5,630,766 A		5/1997	Granelli	
5,709,613 A		1/1998	Sheraw	
D394,292 S	*	5/1998	Bankhead	D21/745
5,755,625 A		5/1998	Jackson	
5,759,114 A		6/1998	Bluto et al.	
5,782,705 A		7/1998	Solari	
D401,991 S		12/1998	Collins	

OTHER PUBLICATIONS

Tour Edge TI-ZONE Brochure.

* cited by examiner

Primary Examiner—Mitchell Siegel

(74) *Attorney, Agent, or Firm*—Bell, Boyd & Lloyd LLC

(57) **CLAIM**

The ornamental design for a golf putter head, as shown and described.

DESCRIPTION

FIG. 1 is a top rear perspective view of one embodiment of a golf putter head of a bent shaft putter of my new design; FIG. 2 is a top plan view thereof; FIG. 3 is a front elevational view thereof; FIG. 4 is a left side elevational view thereof; FIG. 5 is a right side elevational view thereof; FIG. 6 is a rear elevational view thereof; FIG. 7 is a bottom plan view thereof; FIG. 8 is a top rear perspective view of an alternative embodiment of the golf putter head of the bent shaft putter of my new design; FIG. 9 is a top plan view thereof; FIG. 10 is a front elevational view thereof; FIG. 11 is a left side elevational view thereof; FIG. 12 is a right side elevational view thereof; FIG. 13 is a rear elevational view thereof; and, FIG. 14 is a bottom plan view thereof.

1 Claim, 8 Drawing Sheets

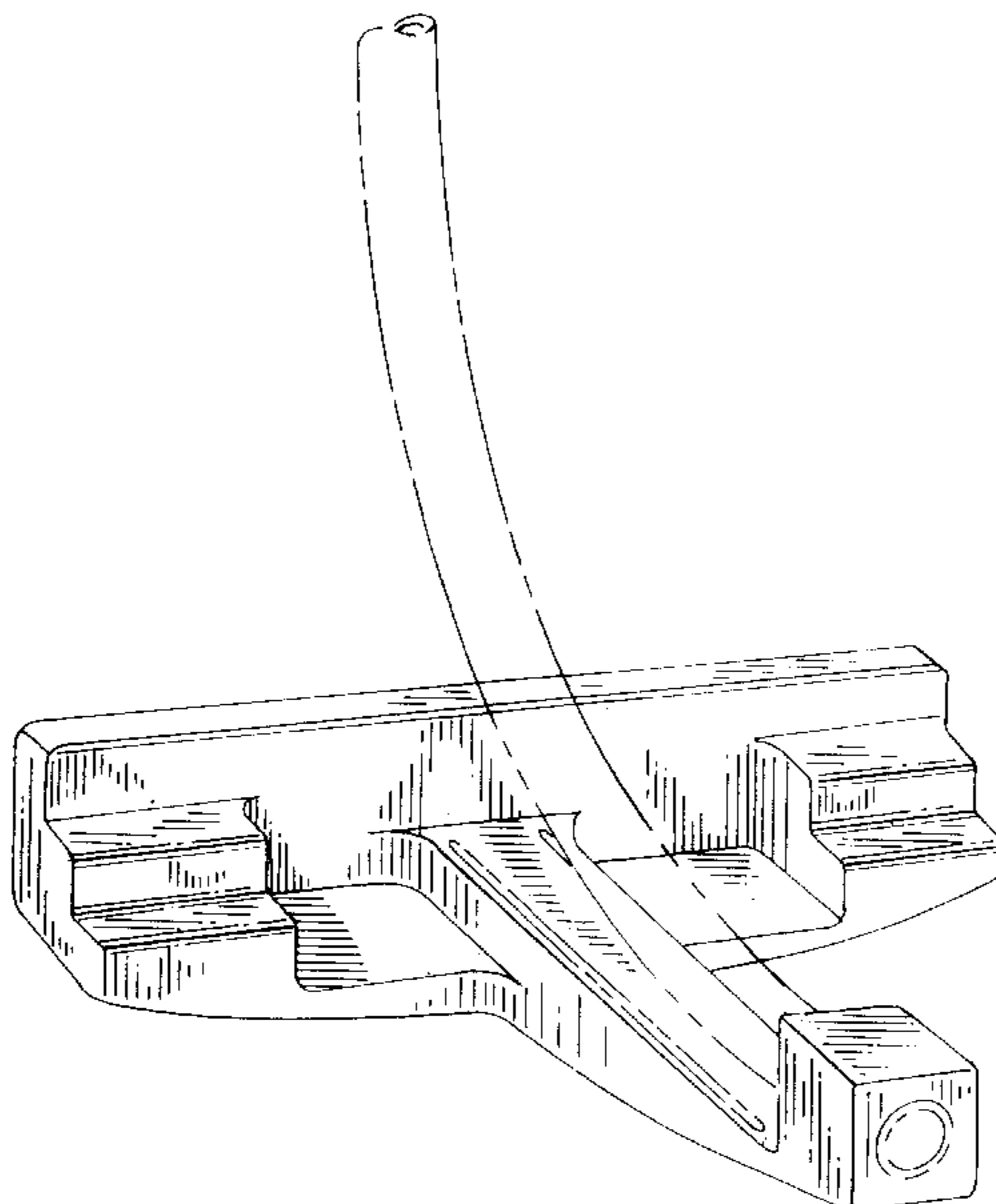


FIG. 1

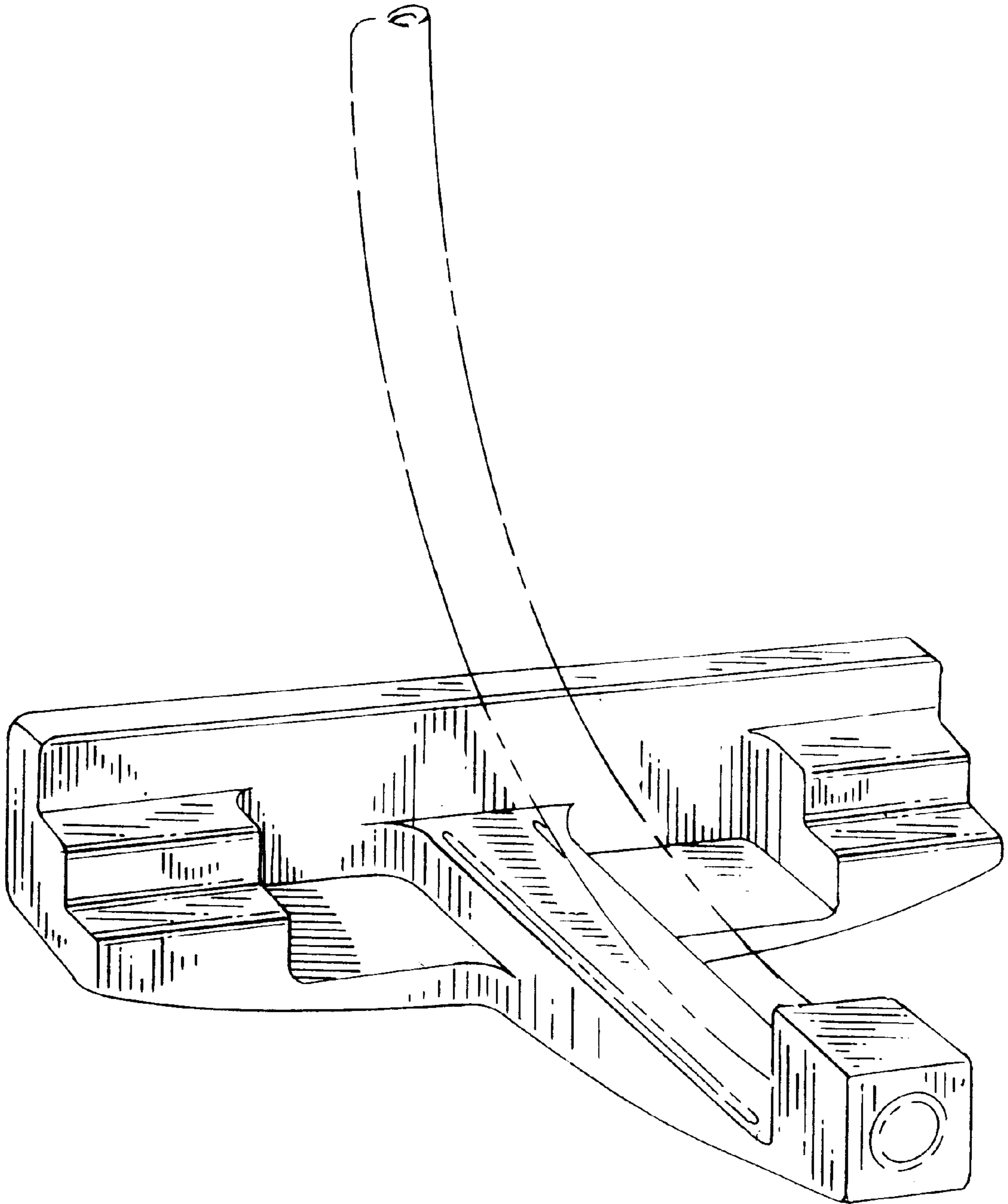


FIG. 2

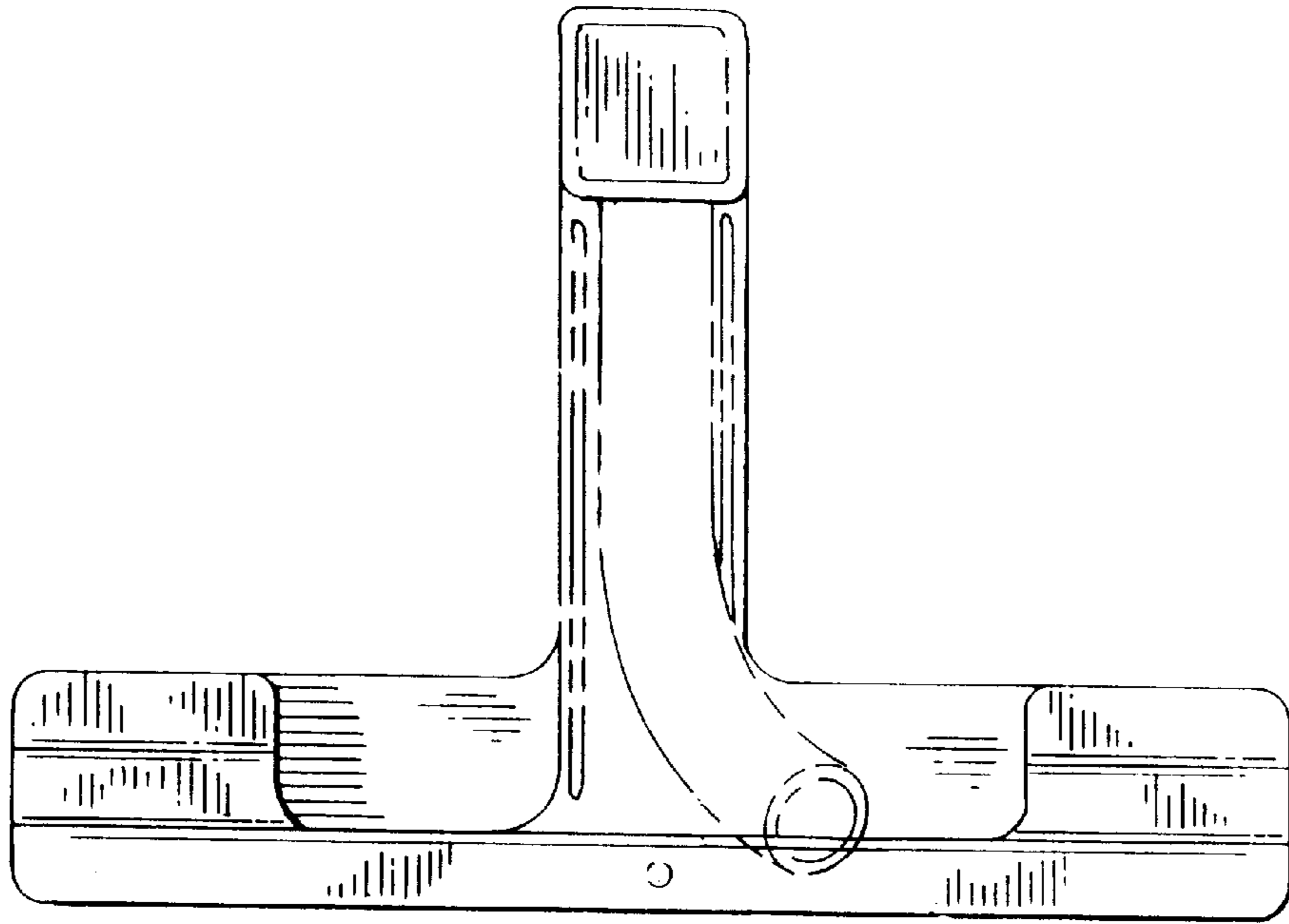
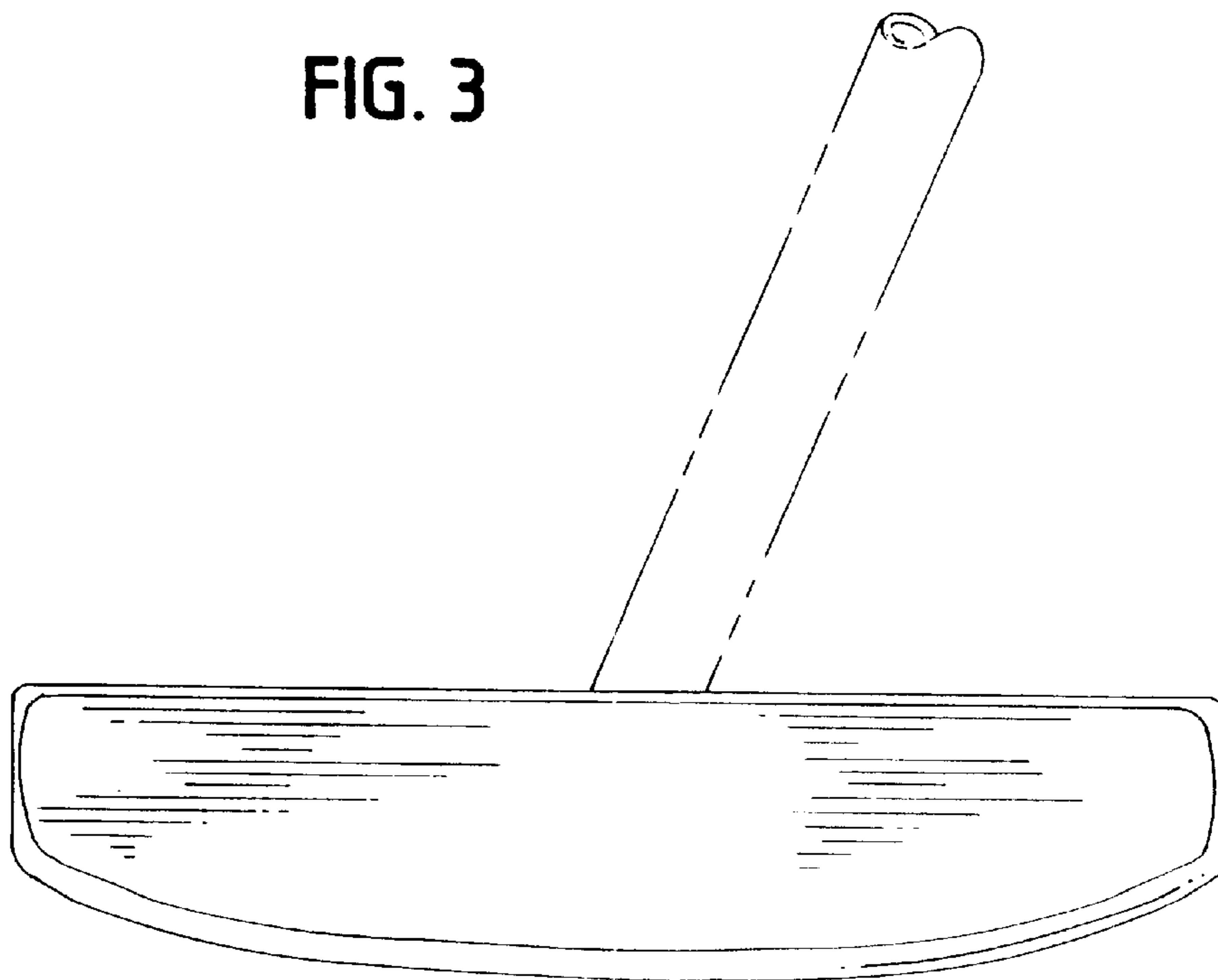


FIG. 3



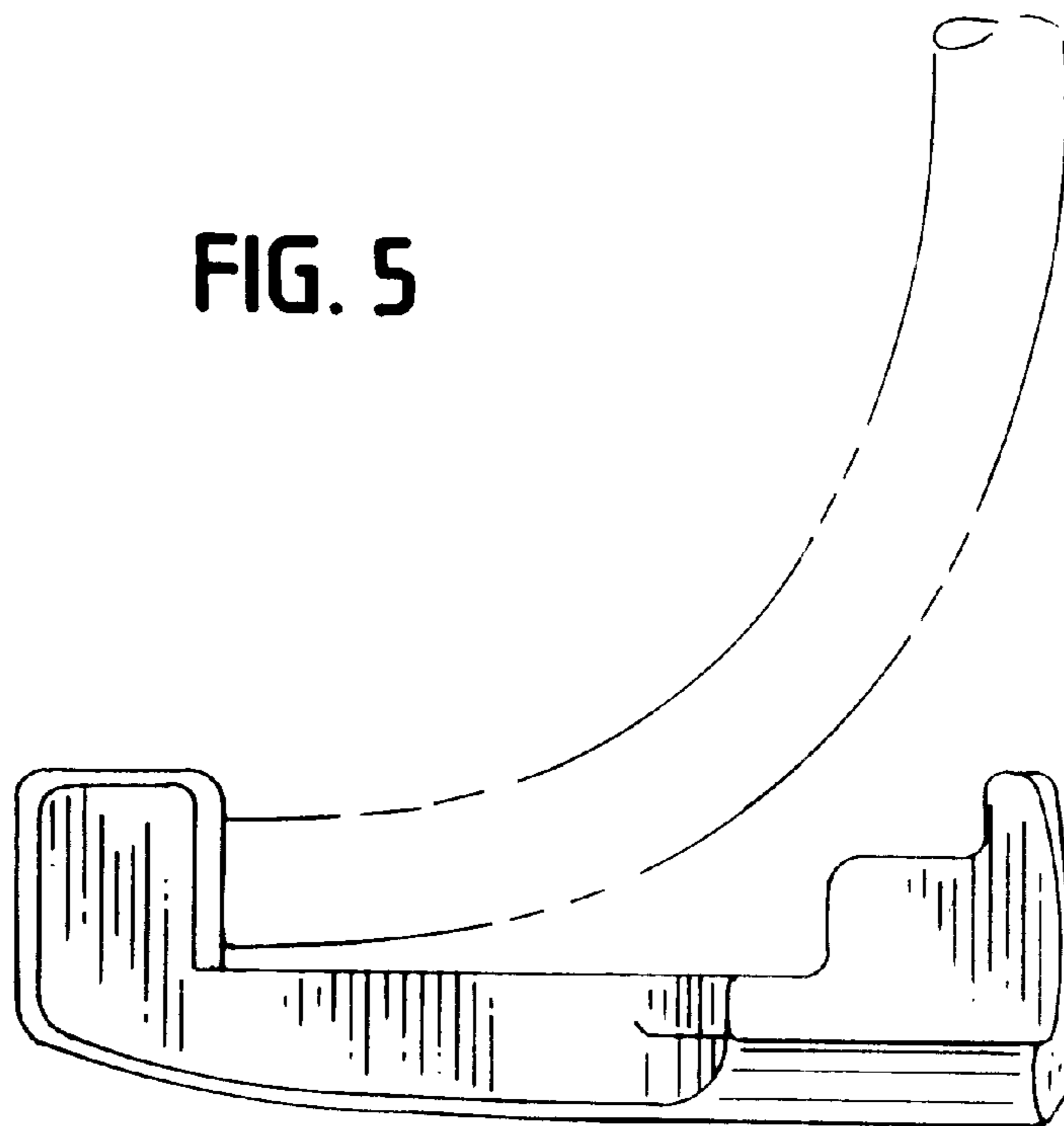
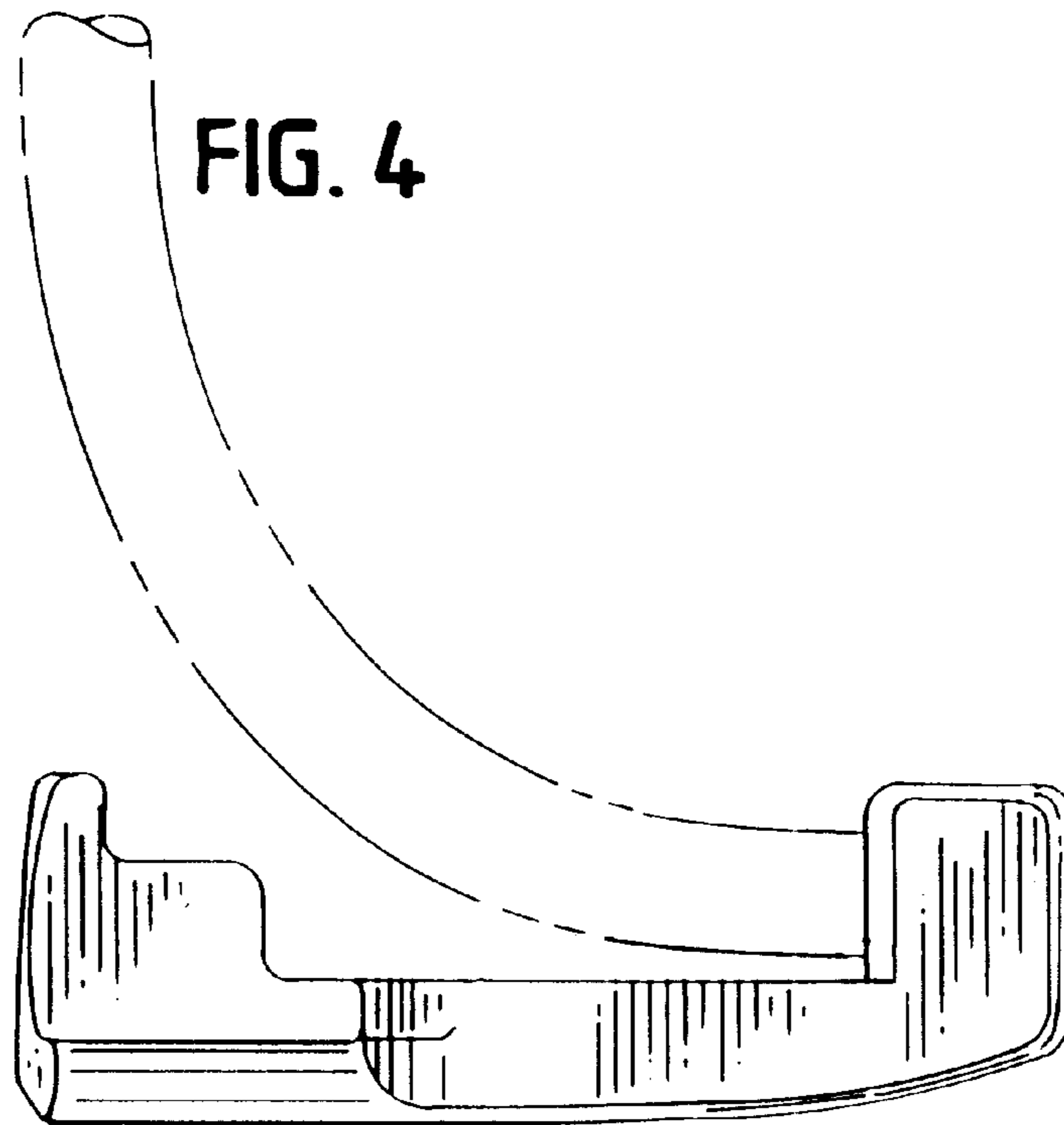


FIG. 6

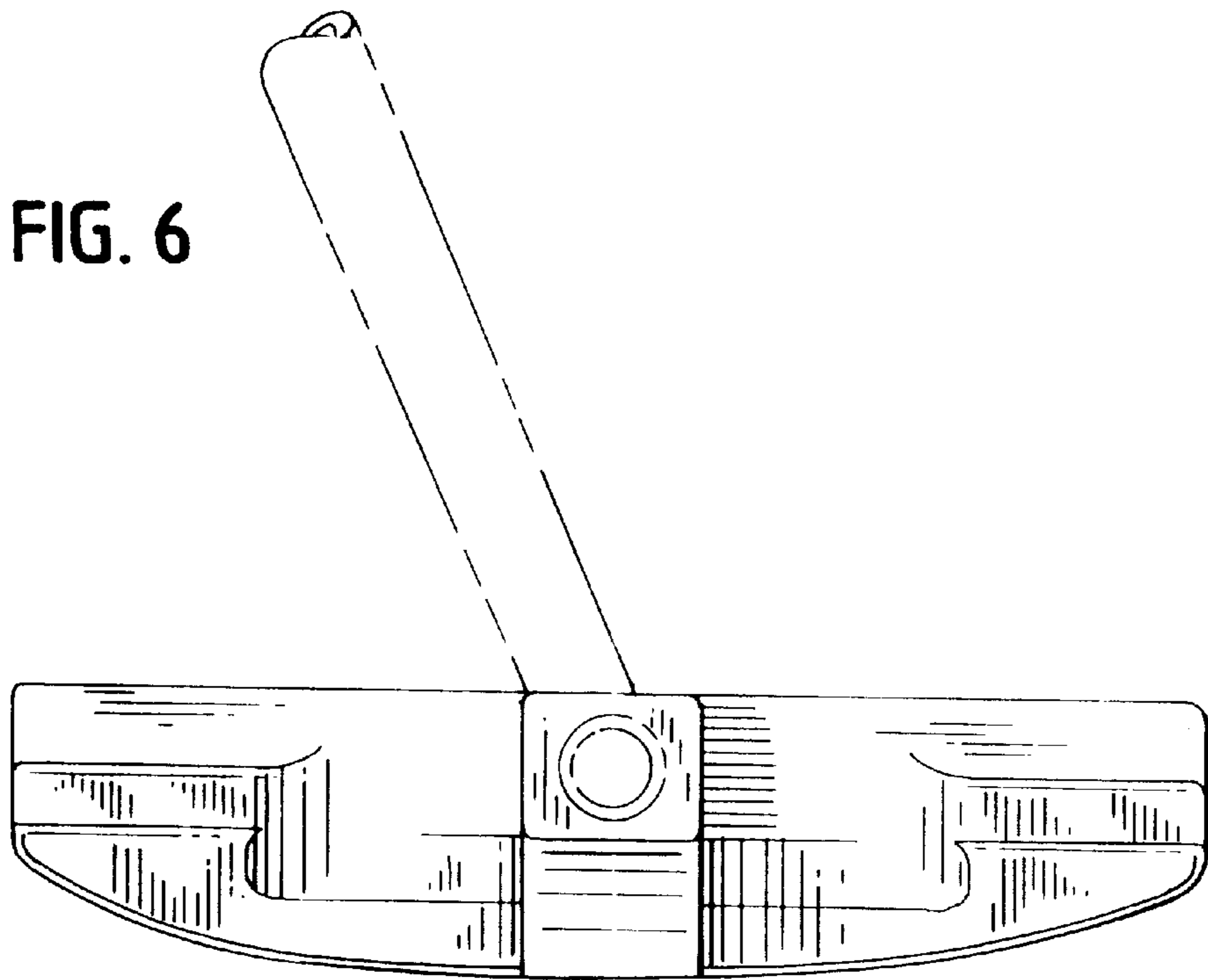


FIG. 7

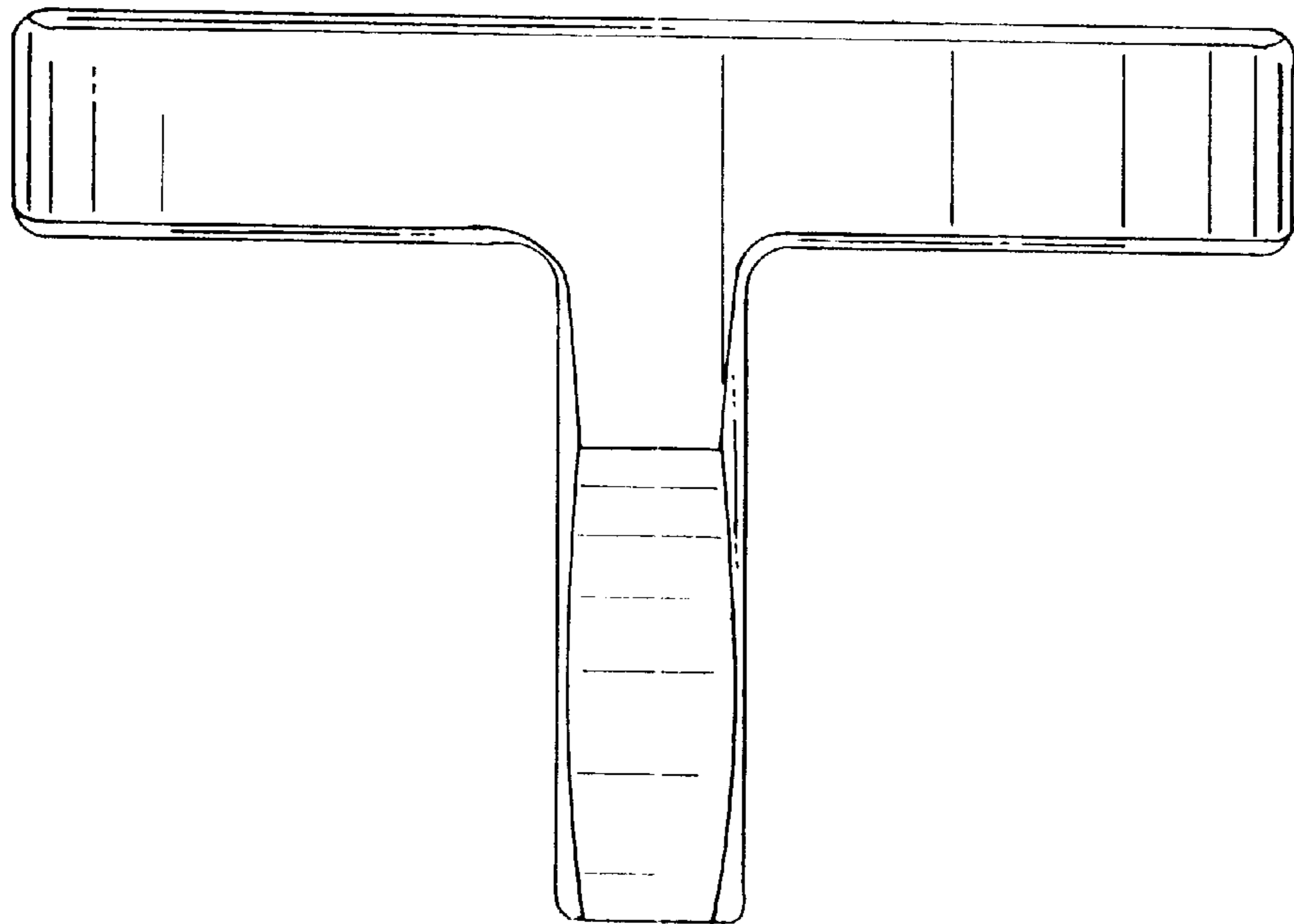


FIG. 8

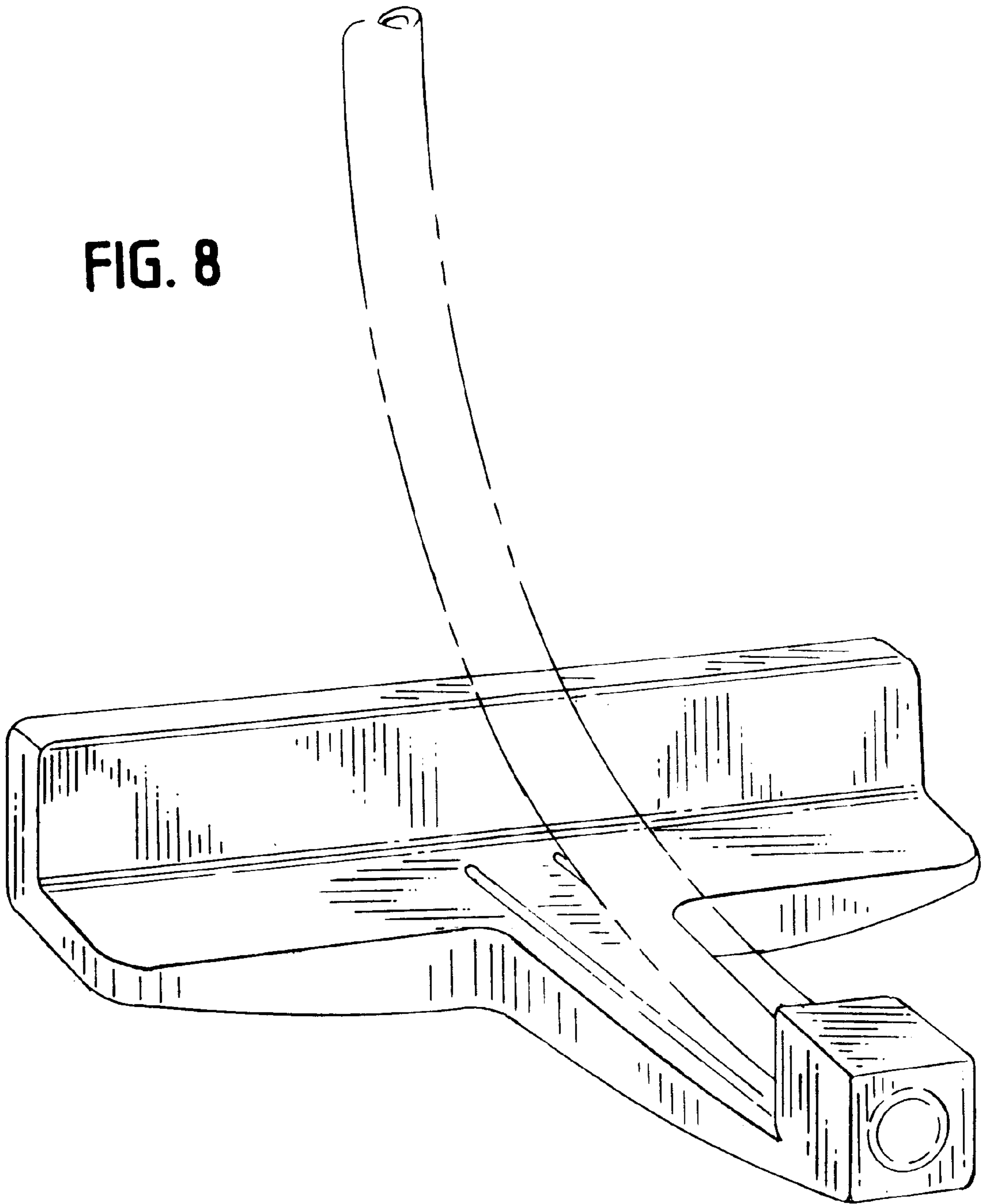


FIG. 9

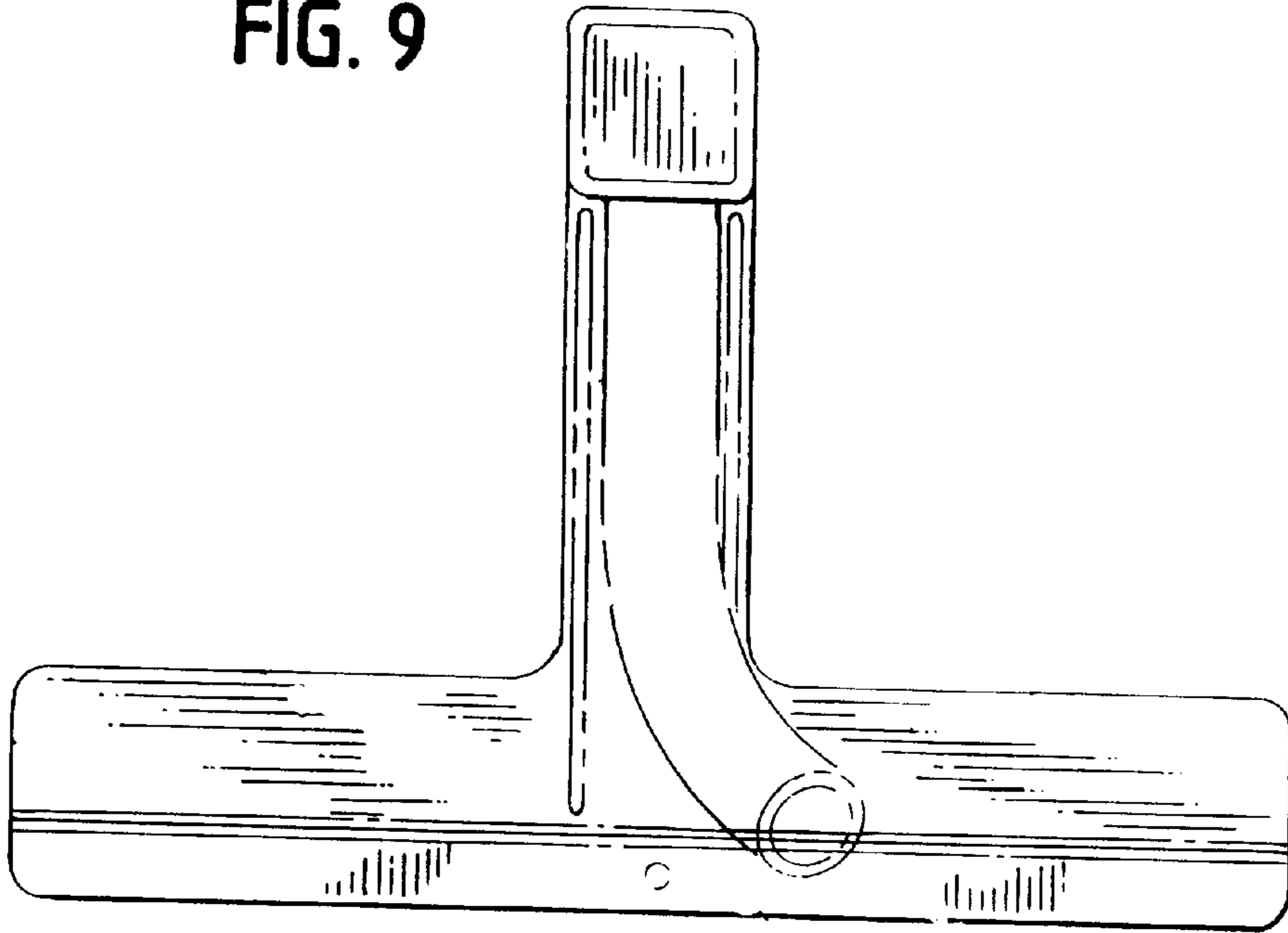


FIG. 10

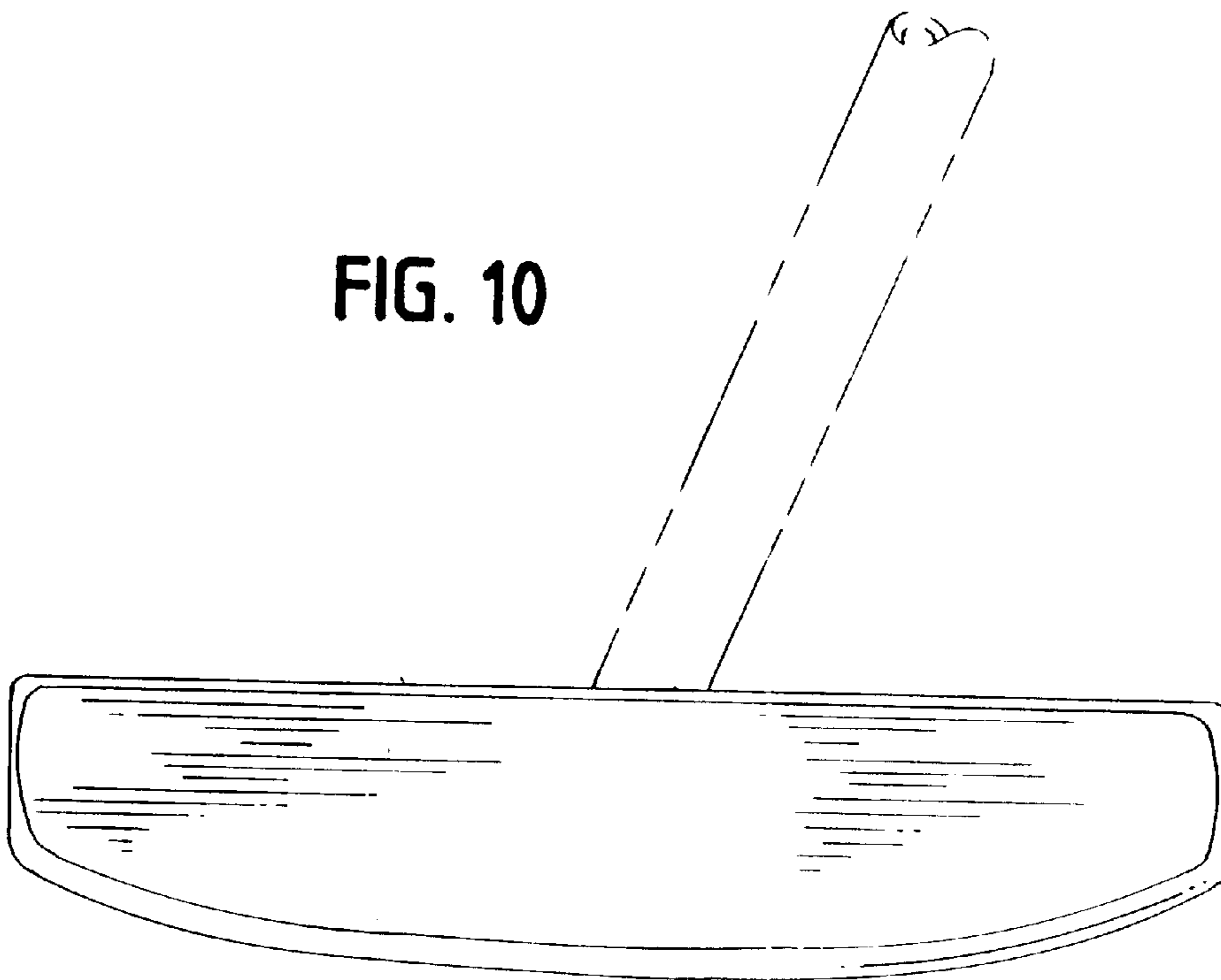


FIG. 11

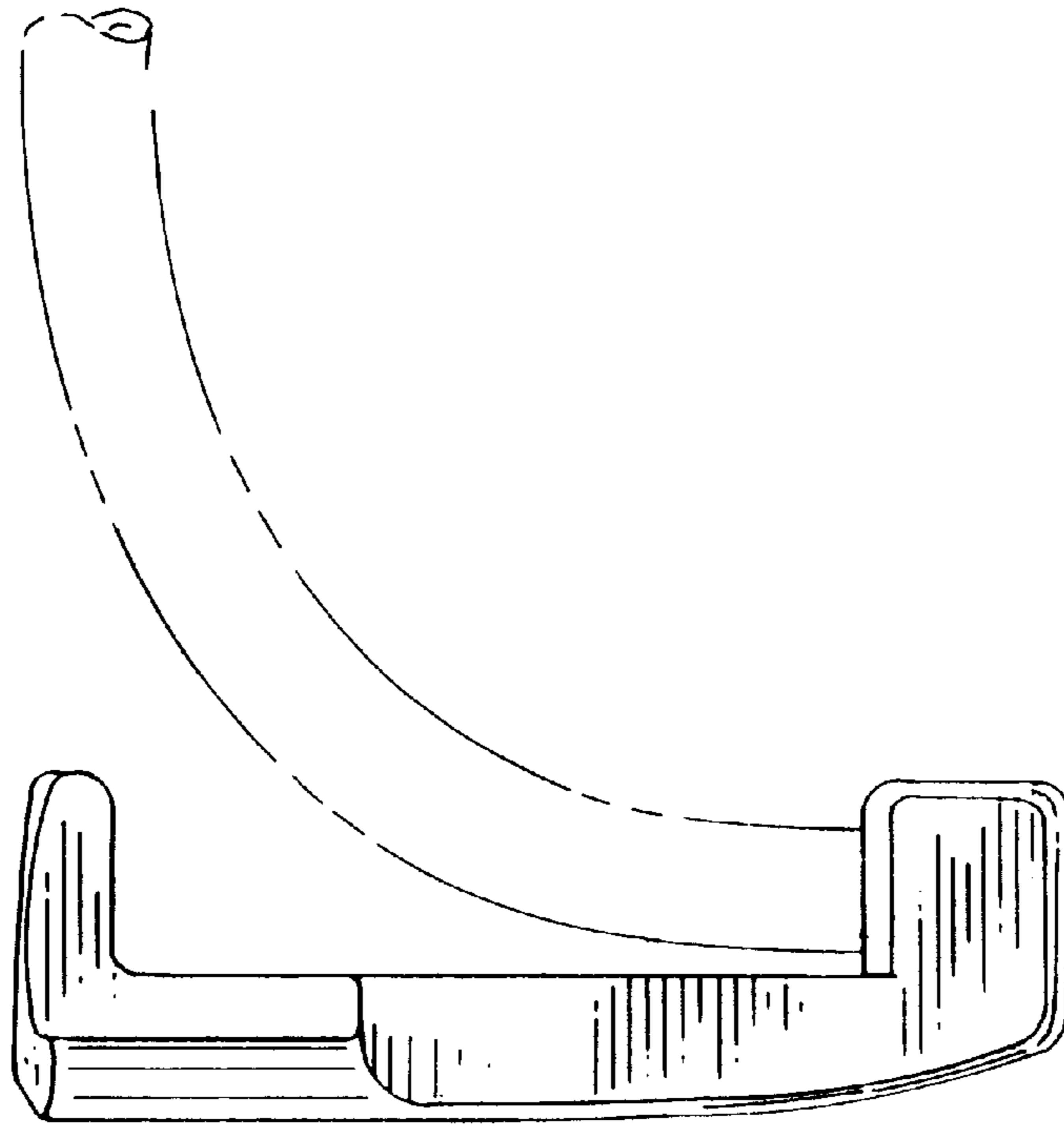


FIG. 12

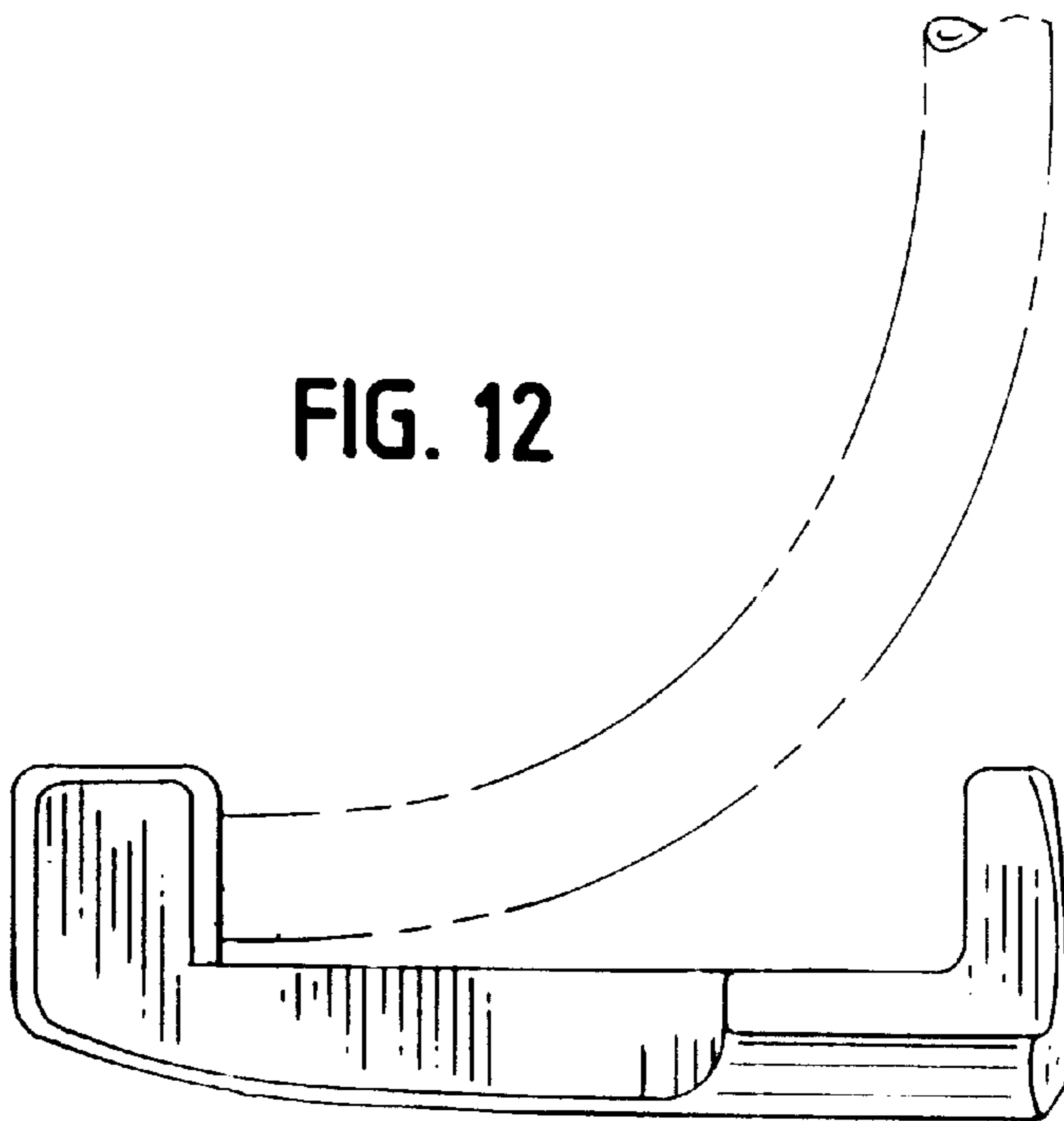


FIG. 13

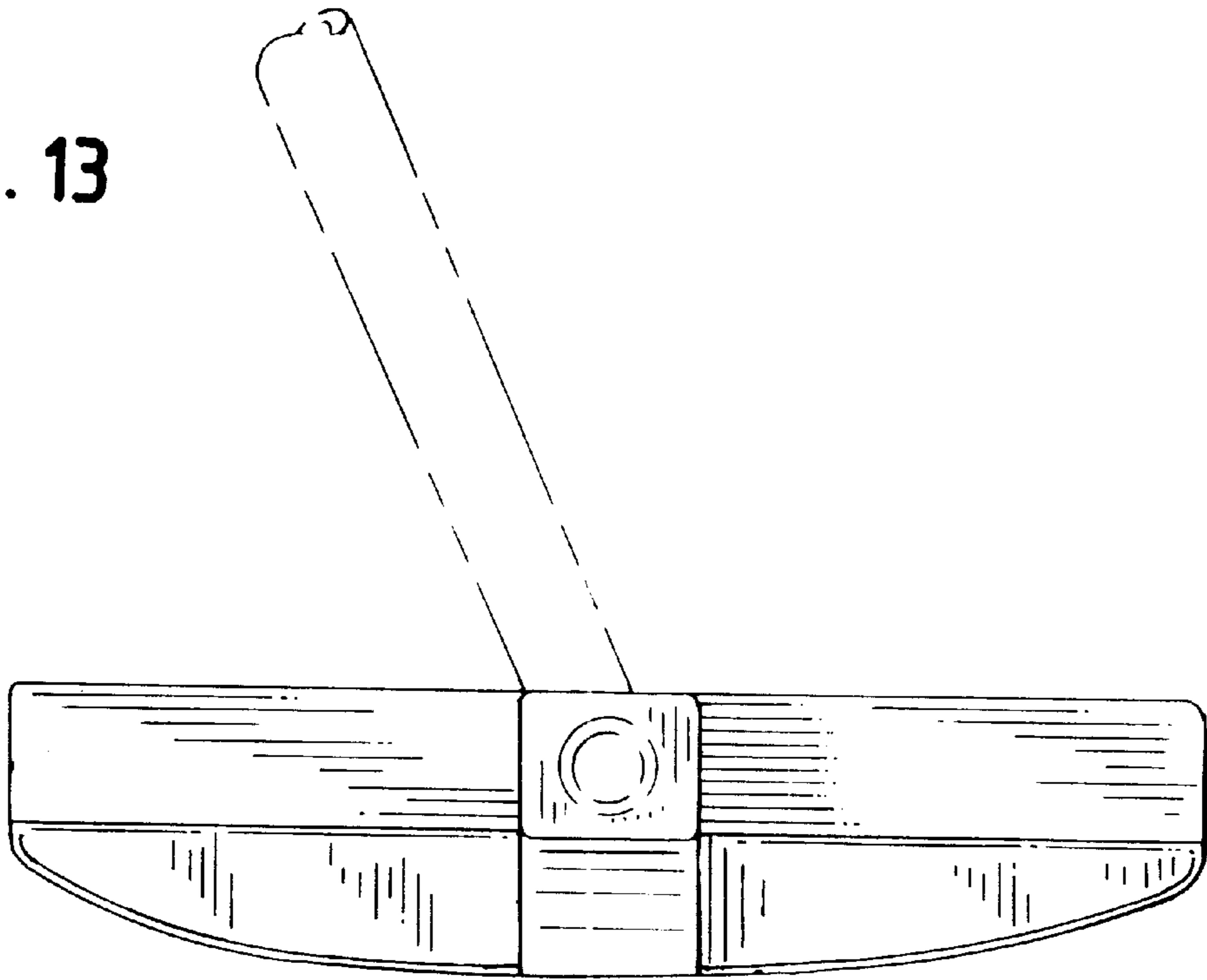


FIG. 14

