



US00D455463S

(12) **United States Design Patent**
Martin et al.

(10) **Patent No.:** **US D455,463 S**

(45) **Date of Patent:** **** Apr. 9, 2002**

(54) **TOY WAGON**

(75) Inventors: **Richard Martin**, LaPrairie; **Hugo Brisson**, Montreal, both of (CA)

(73) Assignee: **Ritvik Holdings Inc.**, Quebec (CA)

(**) Term: **14 Years**

(21) Appl. No.: **29/143,475**

(22) Filed: **Jun. 15, 2001**

(30) **Foreign Application Priority Data**

Dec. 18, 2000 (CA) 2000-3324

(51) **LOC (7) Cl.** **21-01**

(52) **U.S. Cl.** **D21/425**

(58) **Field of Search** D21/419-435,
D21/534-536, 493-495; D3/271; 280/87.01,
87.021, 87.042, 828, 47.36, 47.35; 446/128,
444, 446, 168, 465, 440, 451, 96, 75

(56) **References Cited**

U.S. PATENT DOCUMENTS

D308,552 S * 6/1990 Klawitter D21/425
5,028,060 A * 7/1991 Martin 280/87.01
D359,618 S * 6/1995 Chen D3/271

5,474,483 A * 12/1995 Sun 446/128
D382,309 S * 8/1997 Brown et al. D21/425
D403,026 S * 12/1998 Pasin D21/425
D416,590 S * 11/1999 Petersen et al. D21/425

* cited by examiner

Primary Examiner—Raphael Barkai

(74) *Attorney, Agent, or Firm*—Michael D. Bednarek;
Shaw Pittman LLP

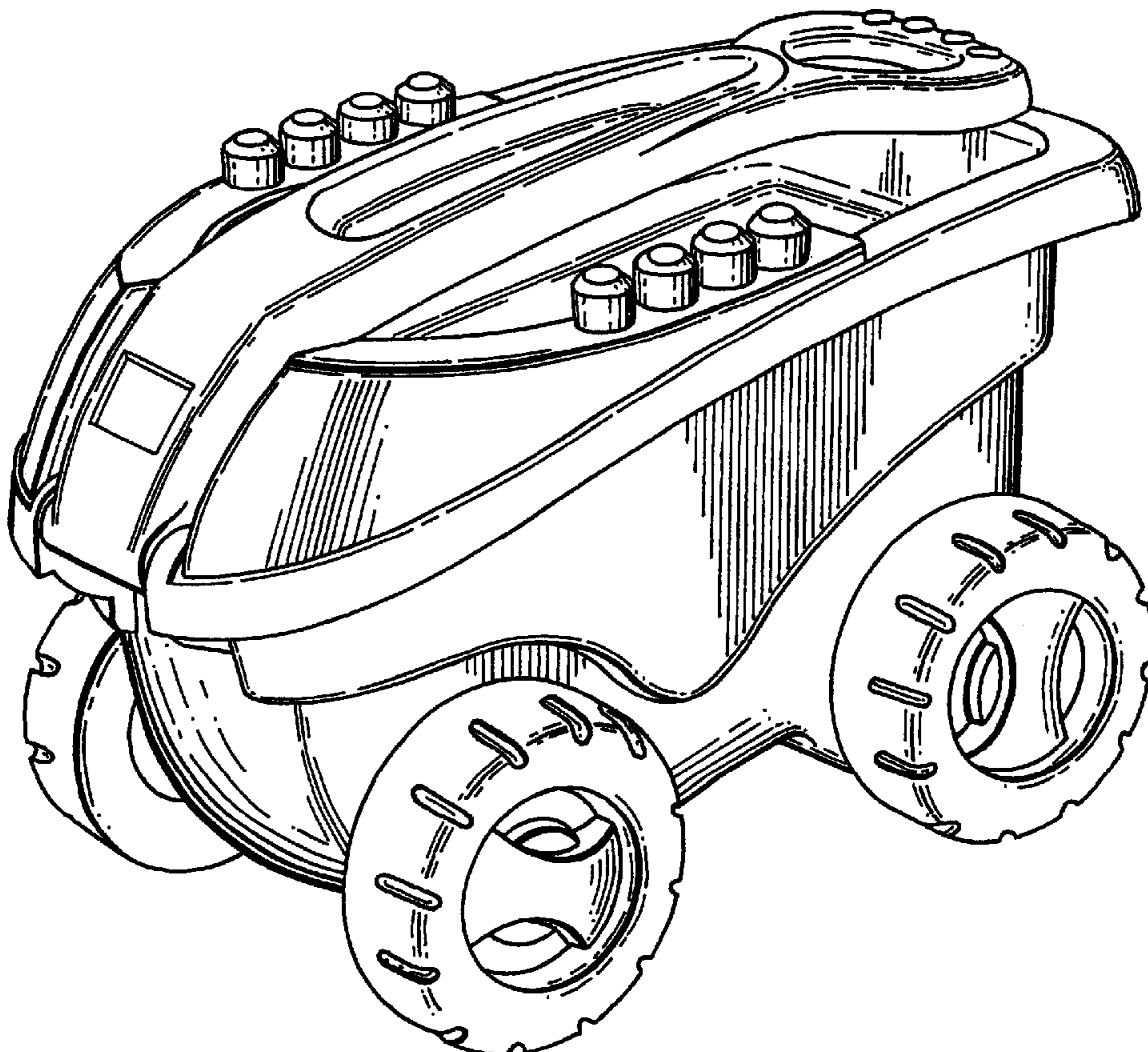
(57) **CLAIM**

The ornamental design for a toy wagon, as shown and described.

DESCRIPTION

FIG. 1 is a front perspective view of the toy wagon with its pulling arm in folded position;
FIG. 2 is a right side elevational view thereof, the left side elevational view being a mirror copy of this view;
FIG. 3 is a front elevational view thereof;
FIG. 4 is a rear elevational view thereof;
FIG. 5 is a top plan view thereof;
FIG. 6 is a bottom plan view thereof; and,
FIG. 7 is a front perspective view at a smaller scale of the toy wagon shown in FIGS. 1 to 6, but with its pulling arm in unfolded position.

1 Claim, 7 Drawing Sheets



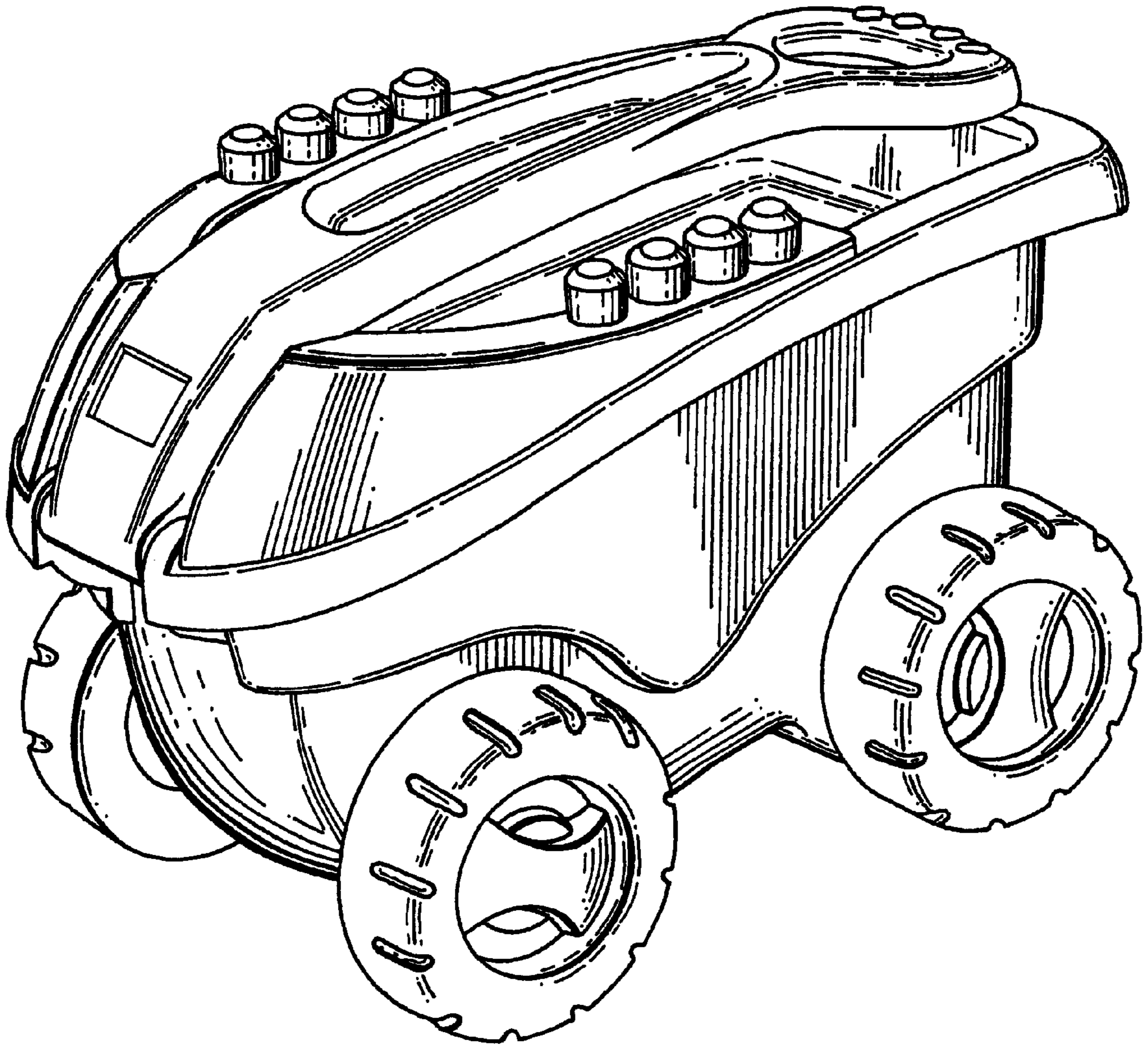


FIG. 1

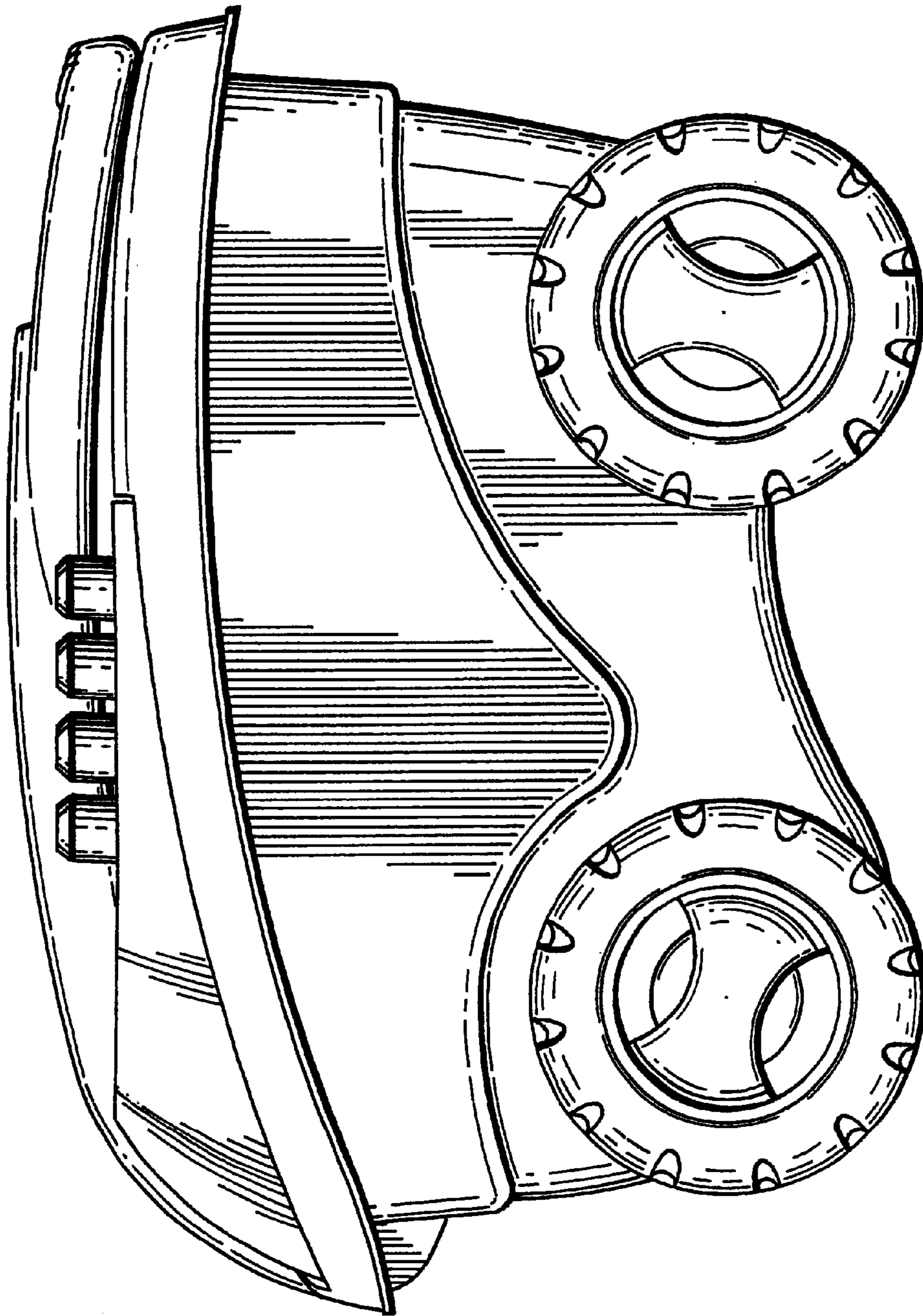


FIG. 2

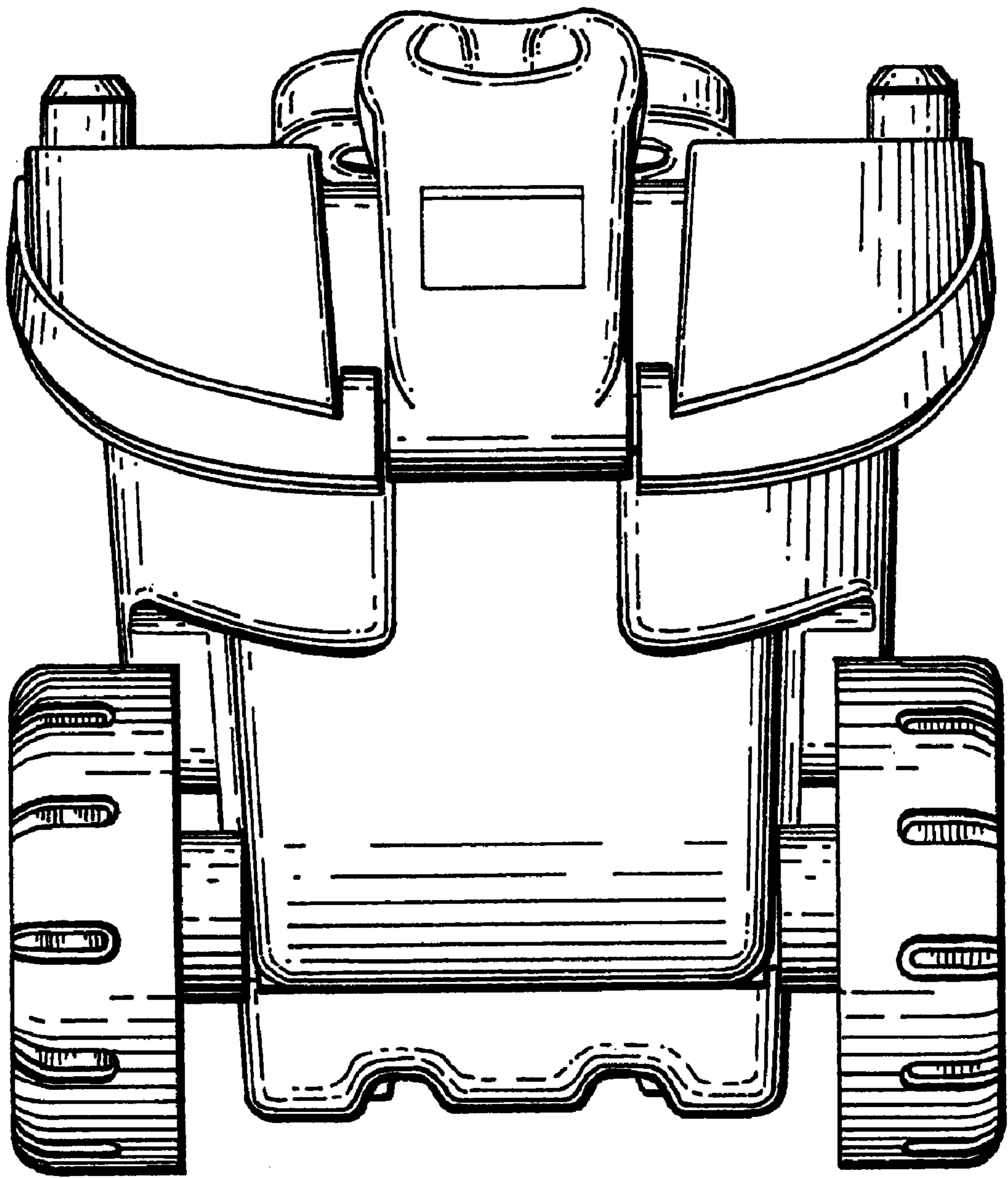


FIG. 3

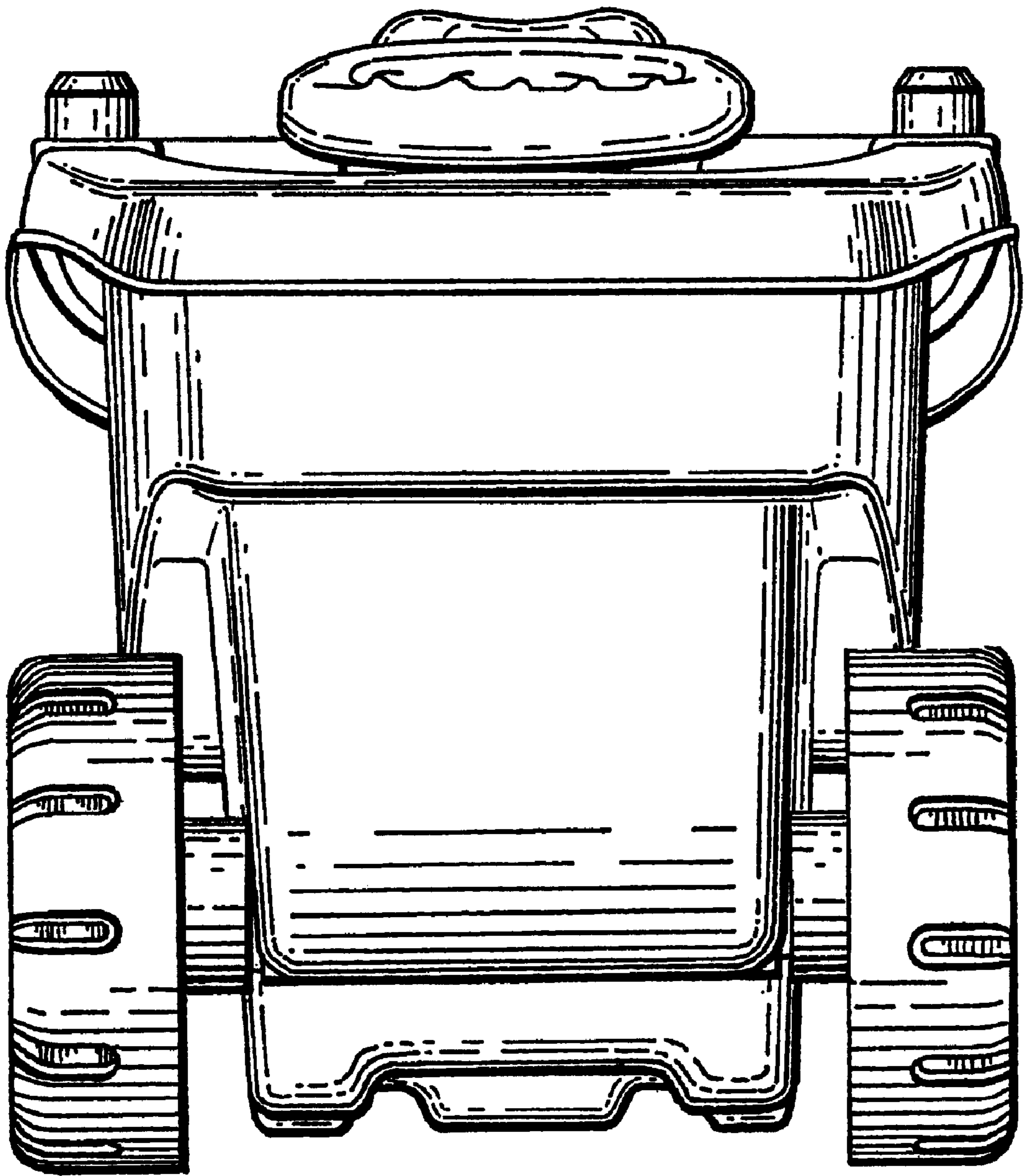


FIG. 4

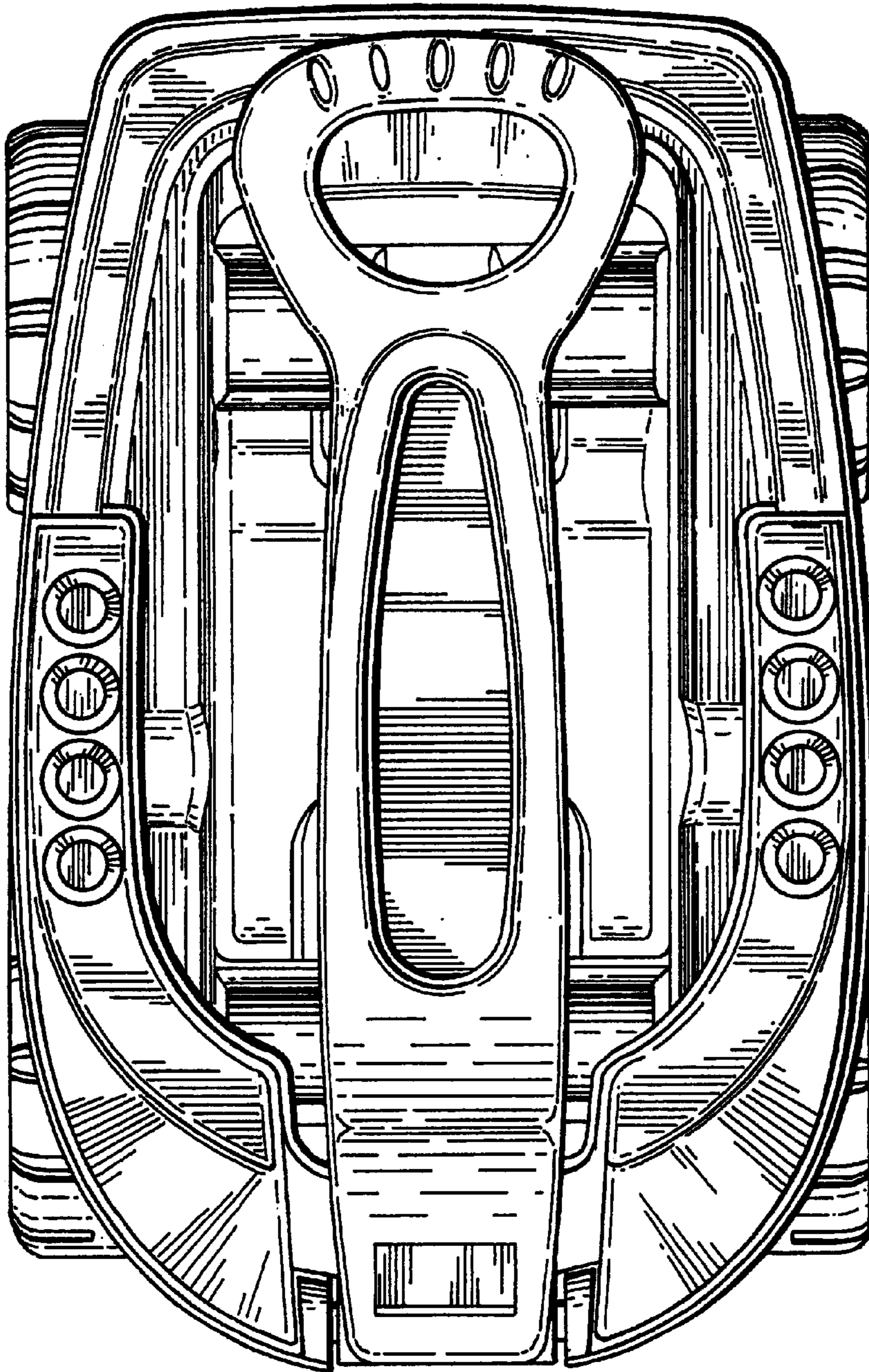


FIG. 5

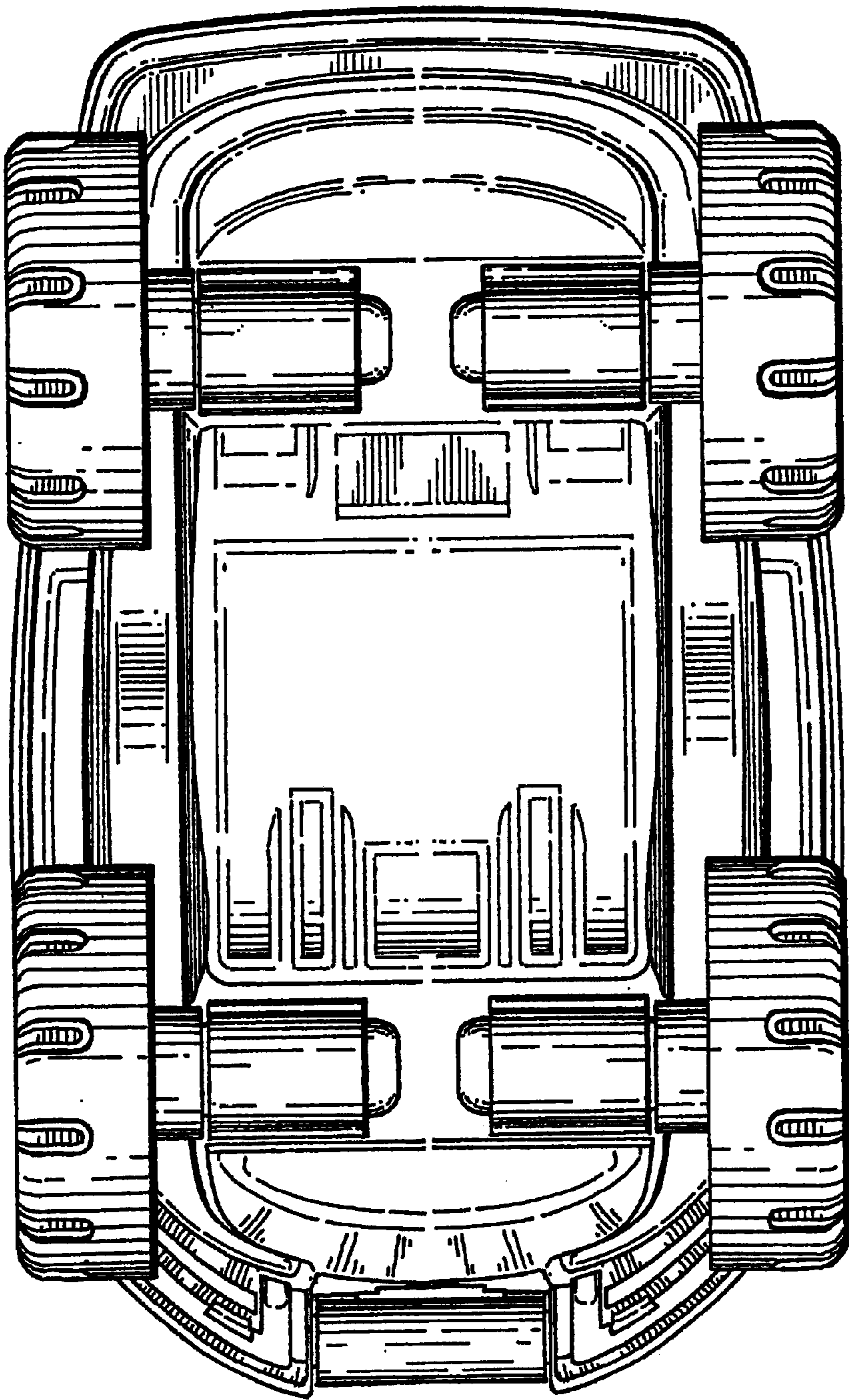


FIG. 6

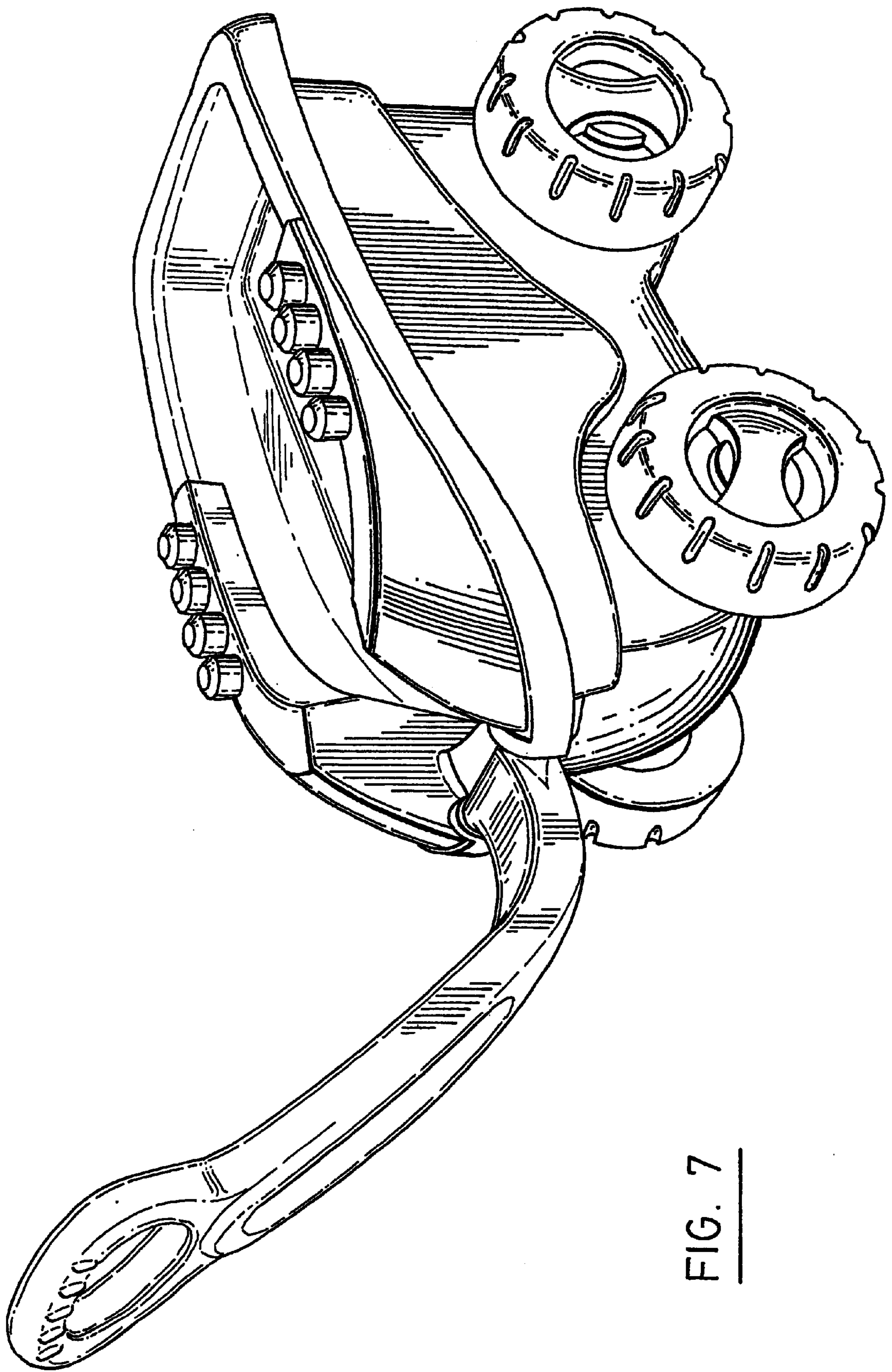


FIG. 7