



US00D455459S

(12) **United States Design Patent** (10) **Patent No.:** **US D455,459 S**  
**Cheris et al.** (45) **Date of Patent:** **\*\* Apr. 9, 2002**

(54) **MAGAZINE HOLDER**

(75) Inventors: **Albert B. Cheris**, Deerfield; **Mark Dziersk**, Chicago, both of IL (US)  
(73) Assignee: **Tenex Corporation**, Elk Grove Village, IL (US)  
(\*\*) Term: **14 Years**  
(21) Appl. No.: **29/140,477**  
(22) Filed: **Apr. 17, 2001**

(51) **LOC (7) Cl.** ..... **19-02**  
(52) **U.S. Cl.** ..... **D19/90**  
(58) **Field of Search** ..... D3/304; D19/75, D19/78, 86, 90, 91, 92, 99, 100, 65; 206/215, 425, 555, 557; 211/10, 11, 126.1, 126.2, 126.4, 126.5, 126.6, 126.7, 42, 45, 50; 281/44; D6/407, 475

(56) **References Cited**

**U.S. PATENT DOCUMENTS**

D334,675 S \* 4/1993 Evenson ..... D19/86  
D381,691 S \* 7/1997 Miyake ..... D19/90  
D393,005 S \* 3/1998 Devito ..... D19/86  
D420,051 S \* 2/2000 Conley et al. .... D19/90

**OTHER PUBLICATIONS**

Magazine File, item "A", TEN 15331, Jacobs Gardner Office Products catalog 2001, c 2000, p. 475.\*  
Magazine File, item "B", ELD-22261, Baigelman & Company catalog, c 1999, p. 492.\*  
\* cited by examiner

*Primary Examiner*—Doris V. Coles  
*Assistant Examiner*—Elizabeth A. Albert  
(74) *Attorney, Agent, or Firm*—Marshall, Gerstein & Borun

(57) **CLAIM**

The ornamental design for a magazine holder, as shown and described.

**DESCRIPTION**

FIG. 1 is a perspective view of a magazine holder of our design;  
FIG. 2 is a front elevational view thereof;  
FIG. 3 is a rear elevational view thereof;  
FIG. 4 is an elevational view of one side thereof, the opposite side being a mirror image thereof;  
FIG. 5 is a top plan view thereof; and,  
FIG. 6 is a bottom plan view thereof.  
The broken line showing of paper in FIG. 1 is for illustrative purposes only and forms no part of the claimed design.

**1 Claim, 2 Drawing Sheets**

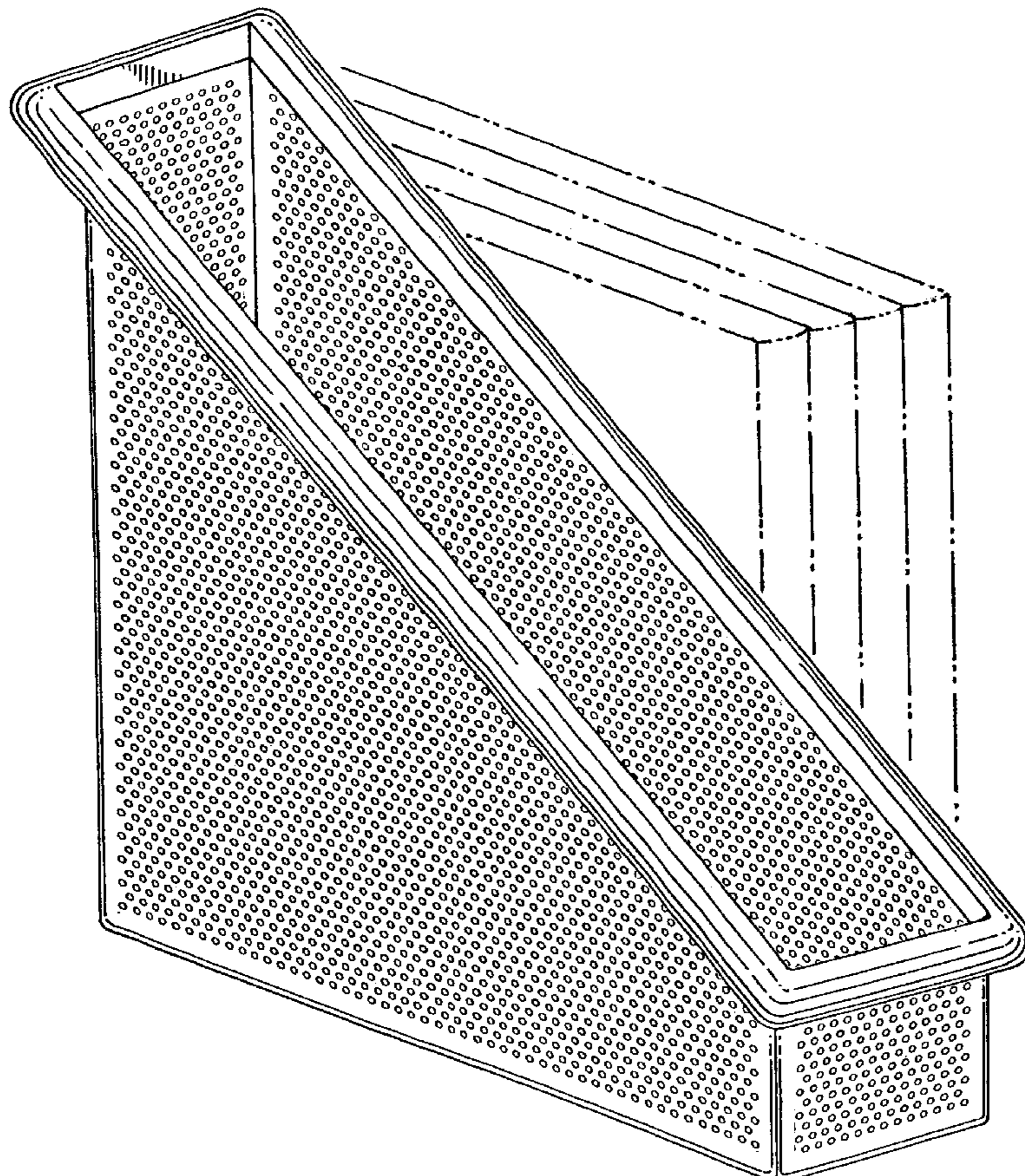


FIG. 1

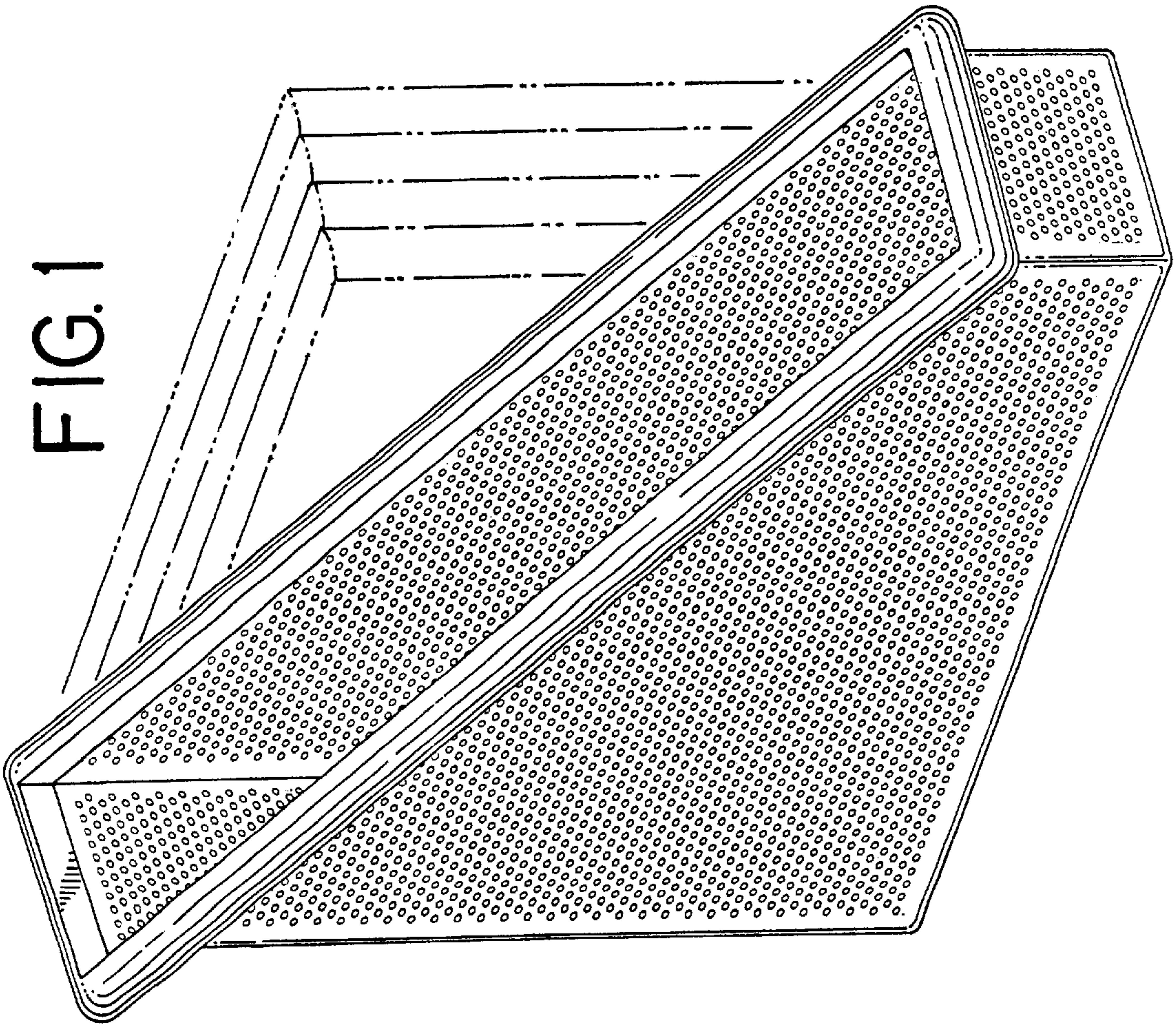


FIG. 2

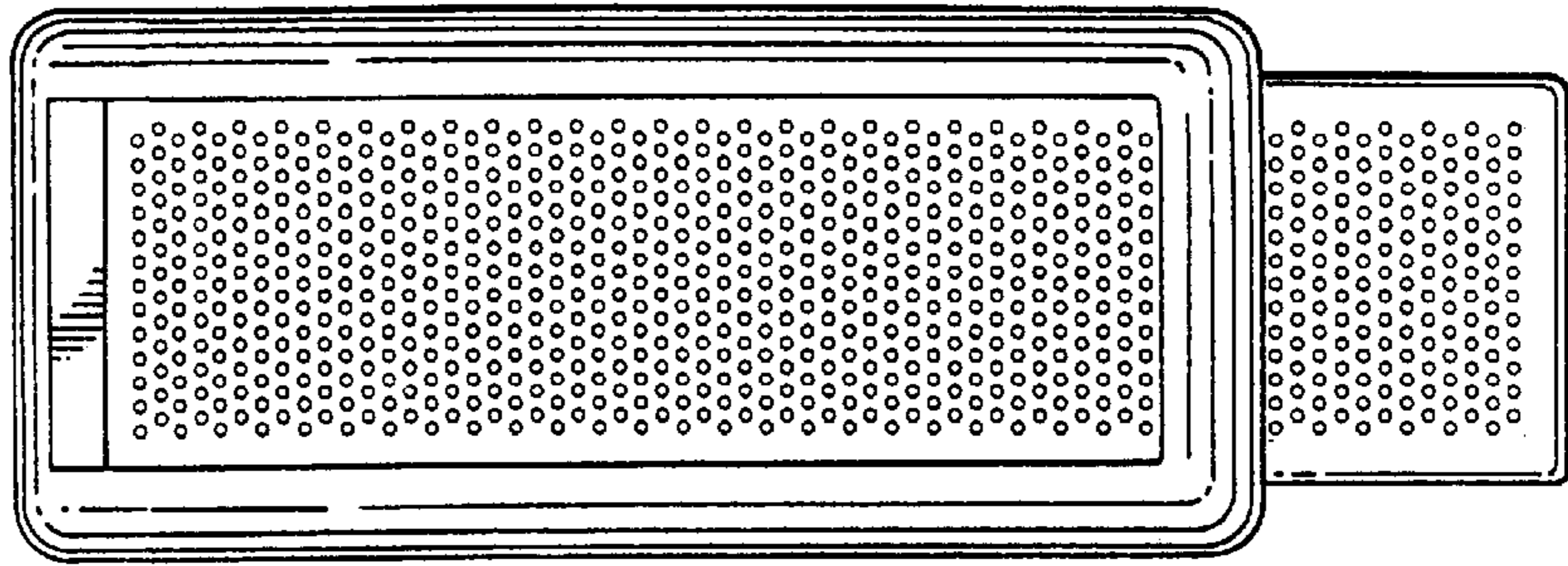


FIG. 3

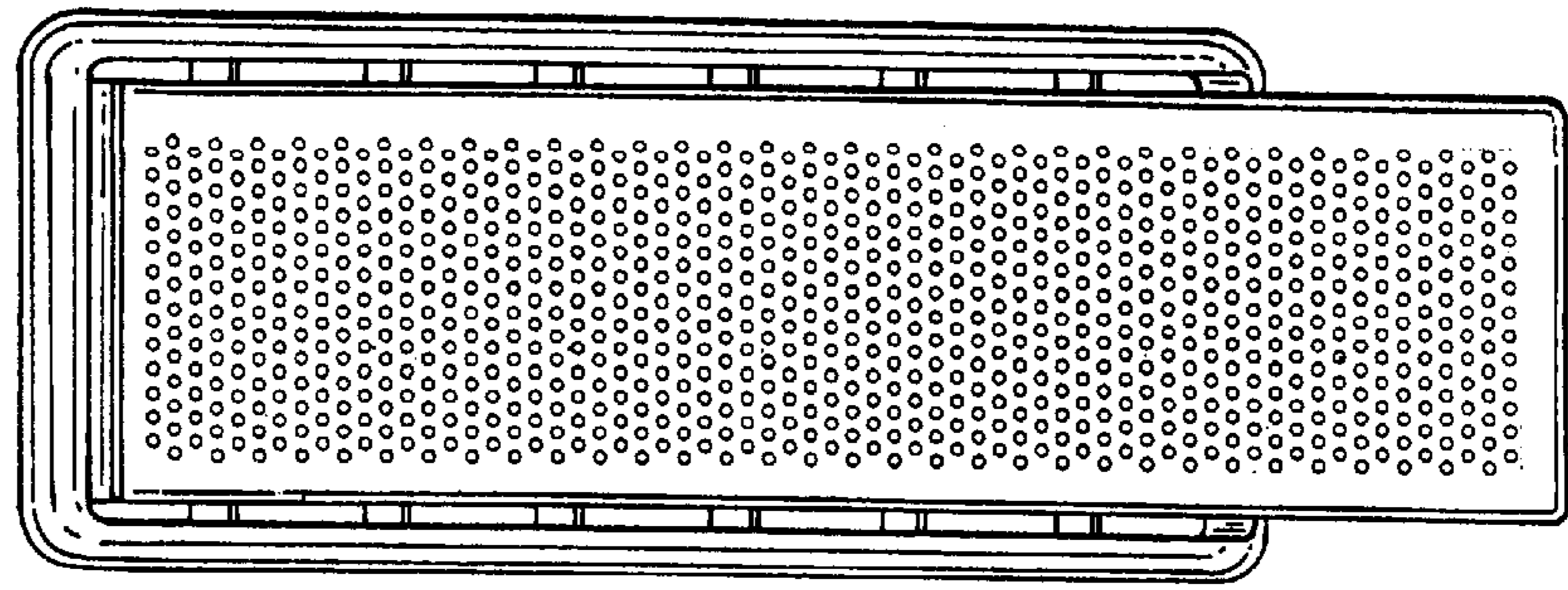


FIG. 6

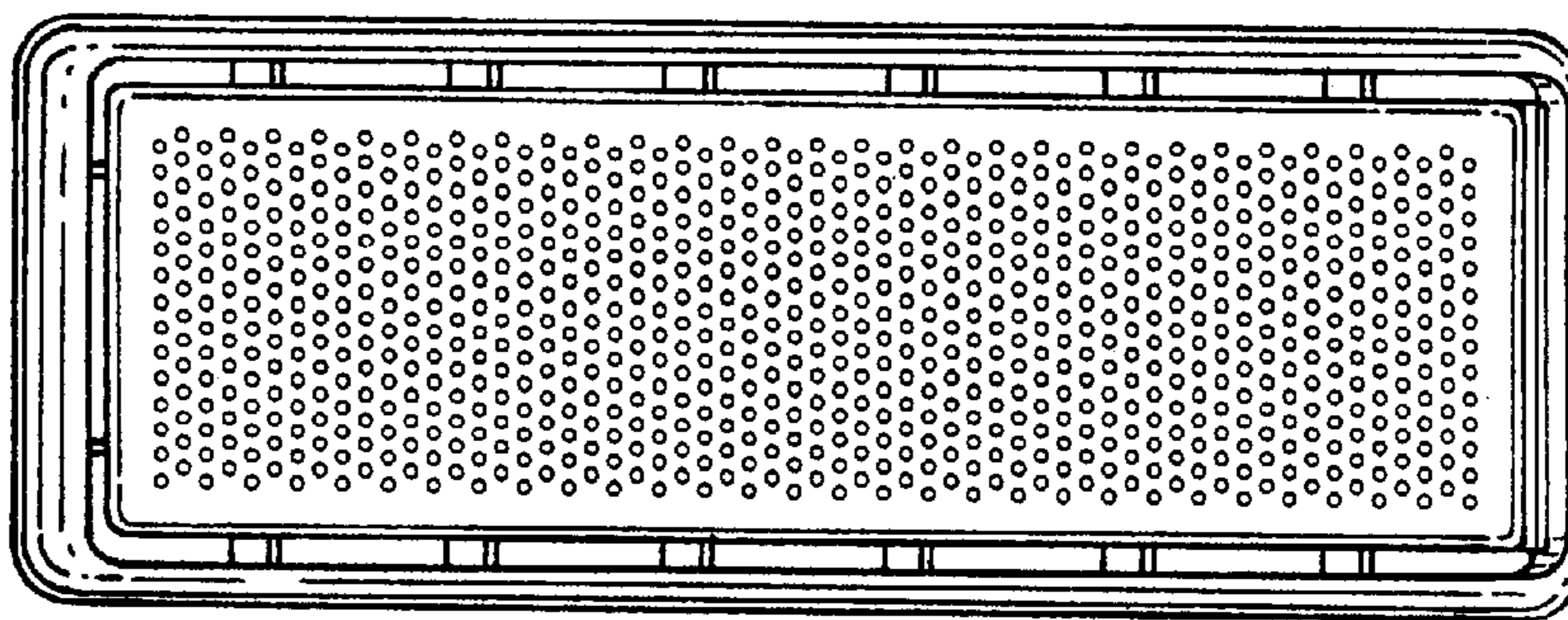


FIG. 5

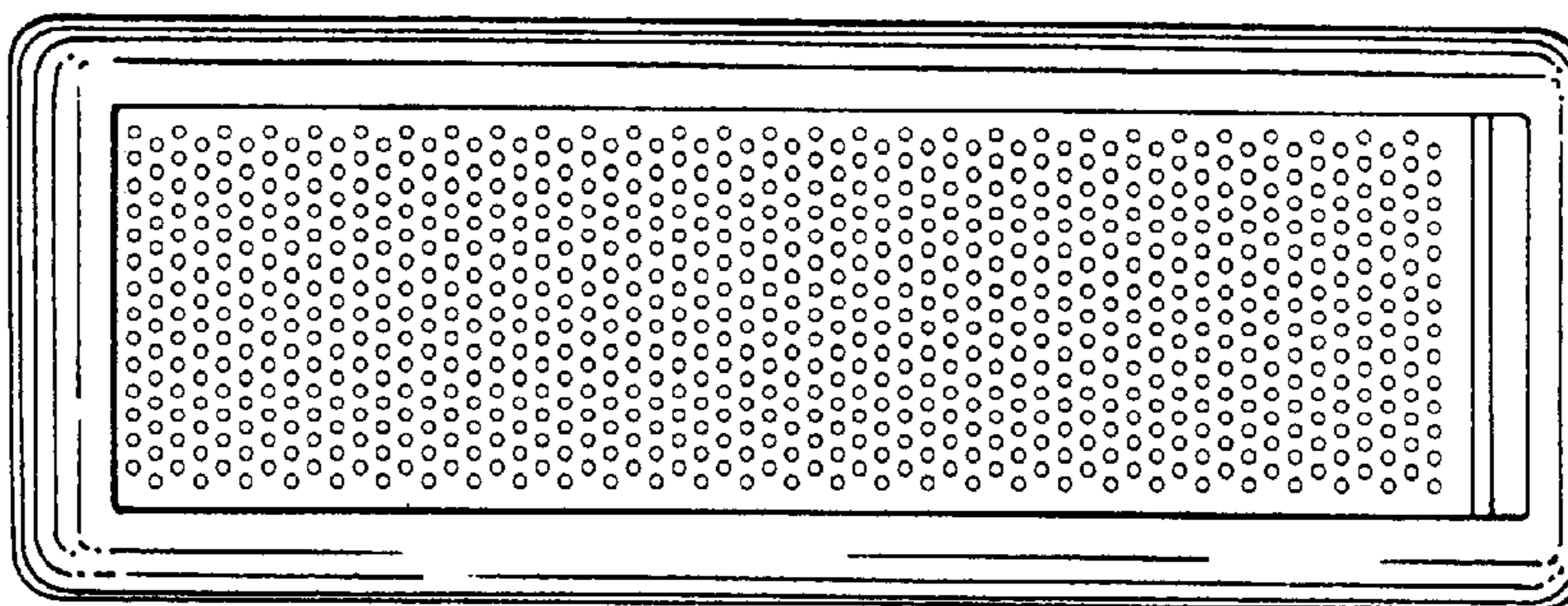


FIG. 4

