



US00D455454S

(12) **United States Design Patent**
Swyst et al.

(10) **Patent No.:** **US D455,454 S**

(45) **Date of Patent:** **** Apr. 9, 2002**

(54) **HAND HELD PRINTER**

(75) Inventors: **Thomas Swyst**, Arlington; **Kevin Krauss**, Belmont, both of MA (US)

(73) Assignee: **Panduit Corp.**, Tinley Park, IL (US)

(**) Term: **14 Years**

(21) Appl. No.: **29/138,086**

(22) Filed: **Mar. 6, 2001**

(51) **LOC (7) Cl.** **18-99**

(52) **U.S. Cl.** **D18/14; D18/14; D18/52**

(58) **Field of Search** D18/14, 19, 50, D18/52, 54-56, 2, 7; 101/66, 288; 156/361, 384, 577, 579, DIG. 47, DIG. 49, DIG. 51; 347/171, 218, 222; 235/385, 432, 487, 488; 346/136; 400/61, 73, 103; 361/684

(56) **References Cited**

U.S. PATENT DOCUMENTS

- 4,623,418 A * 11/1986 Gombrich et al. 156/361
- D292,709 S * 11/1987 Kosako D14/100
- 4,746,932 A * 5/1988 Sato 347/171
- 4,757,329 A * 7/1988 Sato et al. 347/218
- 5,015,324 A * 5/1991 Goodwin et al. 156/384
- 5,220,520 A * 6/1993 Kessoku 361/684
- D349,920 S * 8/1994 Wendt et al. D18/14

- D389,859 S * 1/1998 Thuma et al. D18/14
- D409,230 S * 5/1999 Gilbertson et al. D18/14

* cited by examiner

Primary Examiner—Martie K. Holtje

(74) *Attorney, Agent, or Firm*—Robert A. McCann

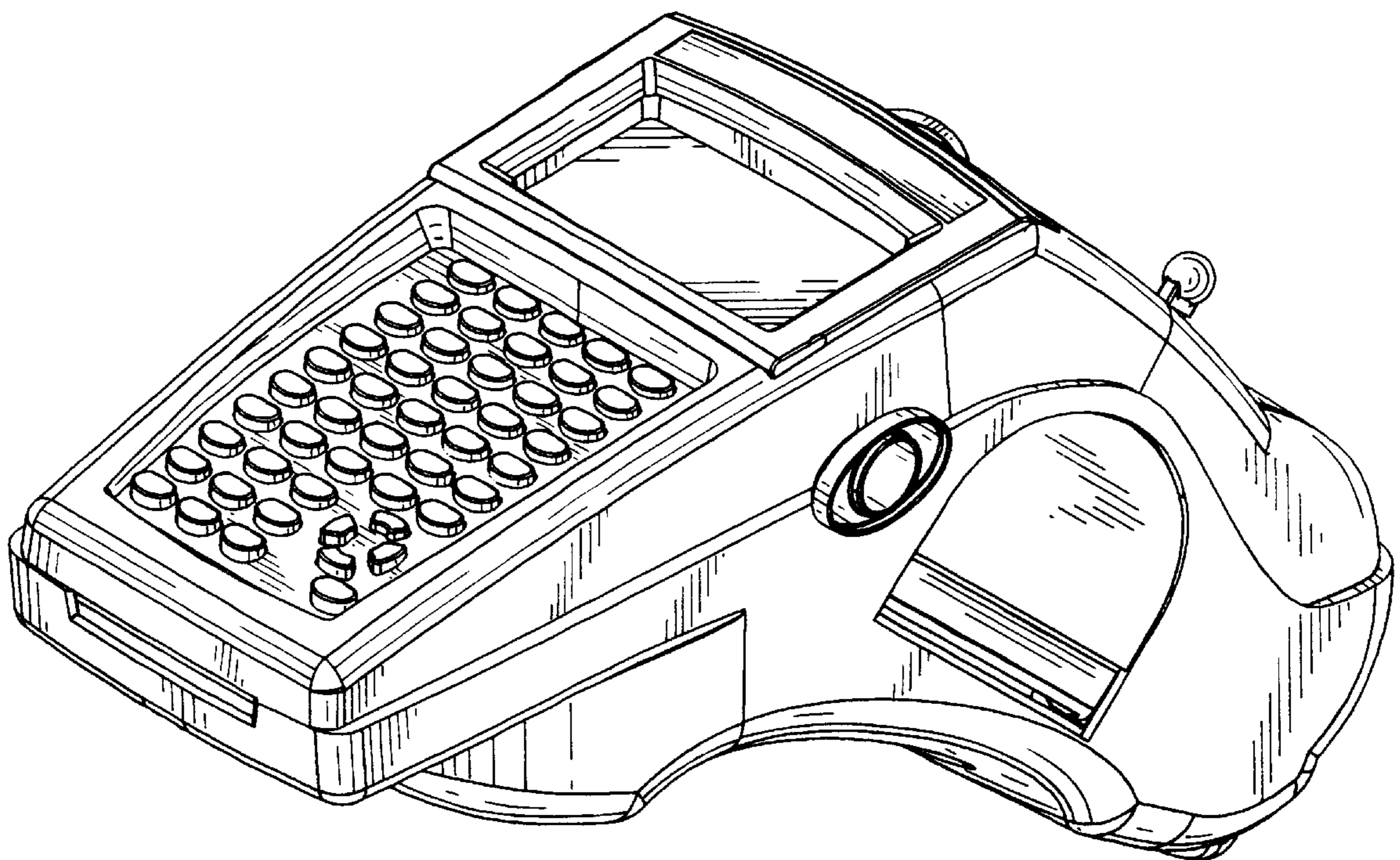
(57) **CLAIM**

The ornamental design for a hand held printer, as shown and described.

DESCRIPTION

FIG. 1 is a top front perspective view from the right side, of a hand held printer showing our new design;
 FIG. 2 is a top rear perspective view from the left side, of a hand held printer of FIG. 1;
 FIG. 3 is a bottom front perspective view from the right side, of the hand held printer of FIG. 1;
 FIG. 4 is a bottom front perspective view from the left side, of the hand held printer of FIG. 1;
 FIG. 5 is a top plan view thereof;
 FIG. 6 is a right side elevational view thereof;
 FIG. 7 is a left side elevational view thereof;
 FIG. 8 is a front elevational view thereof;
 FIG. 9 is a rear elevational view thereof; and,
 FIG. 10 is a bottom view thereof.

1 Claim, 9 Drawing Sheets



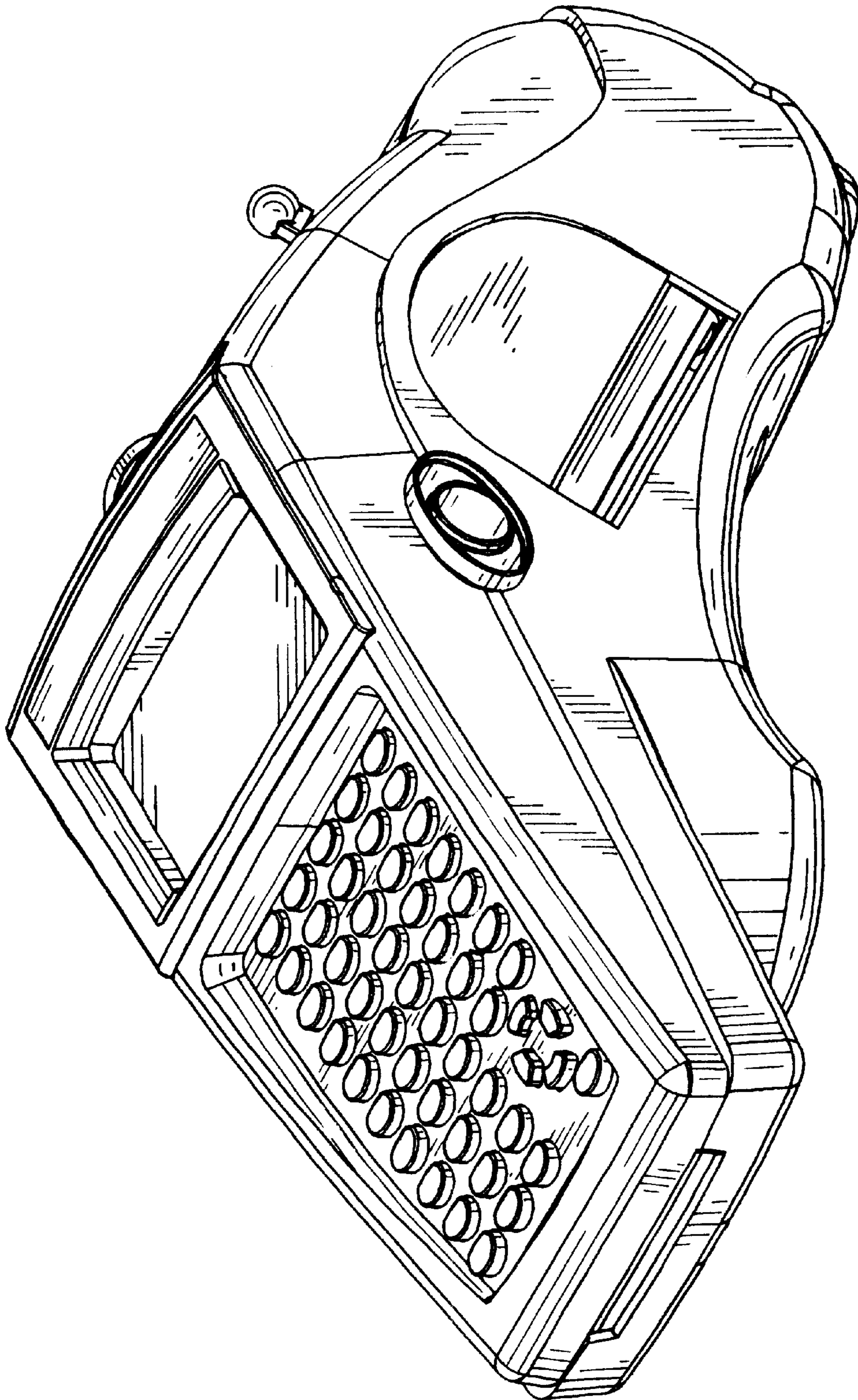


FIG. 1

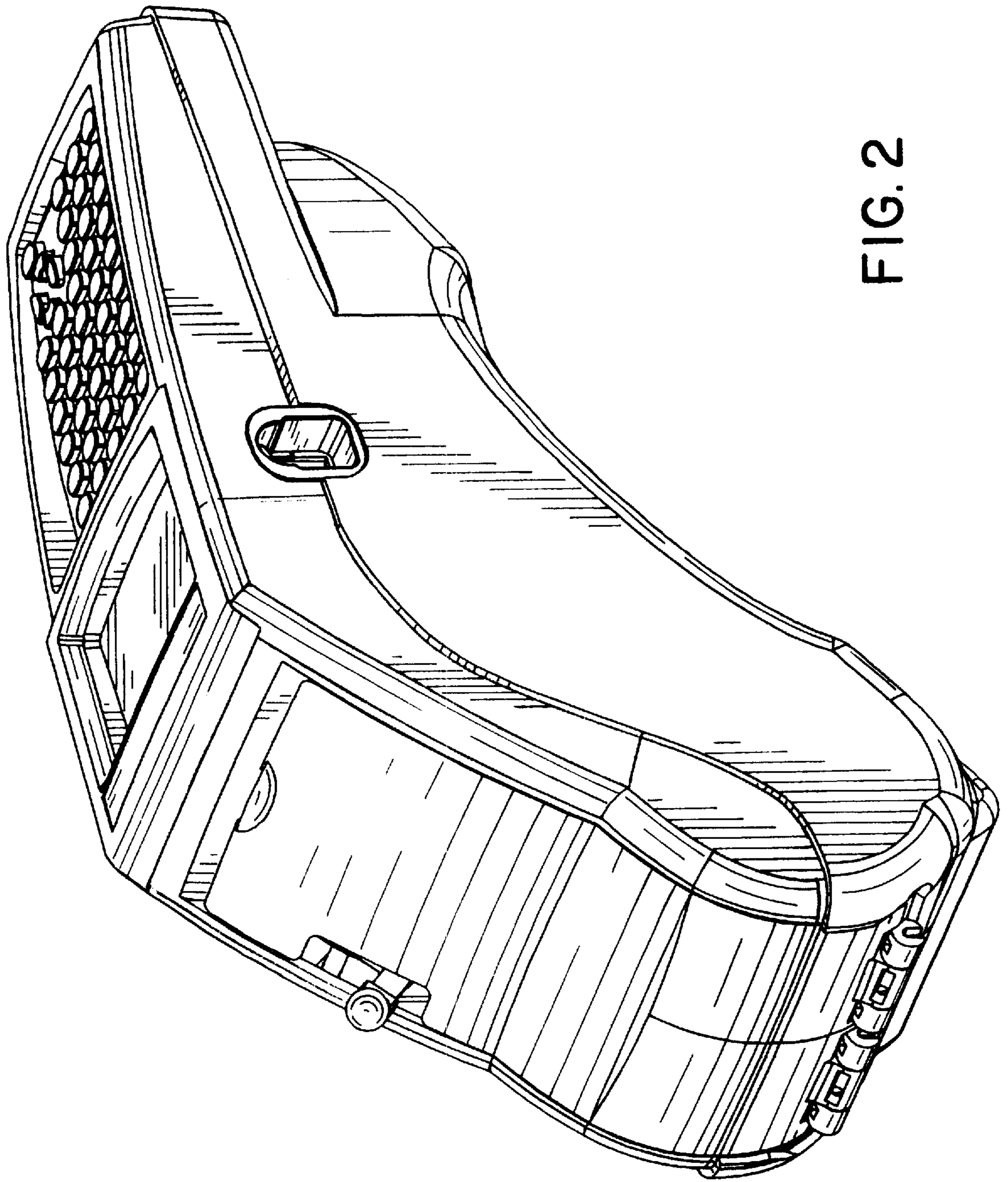


FIG. 2

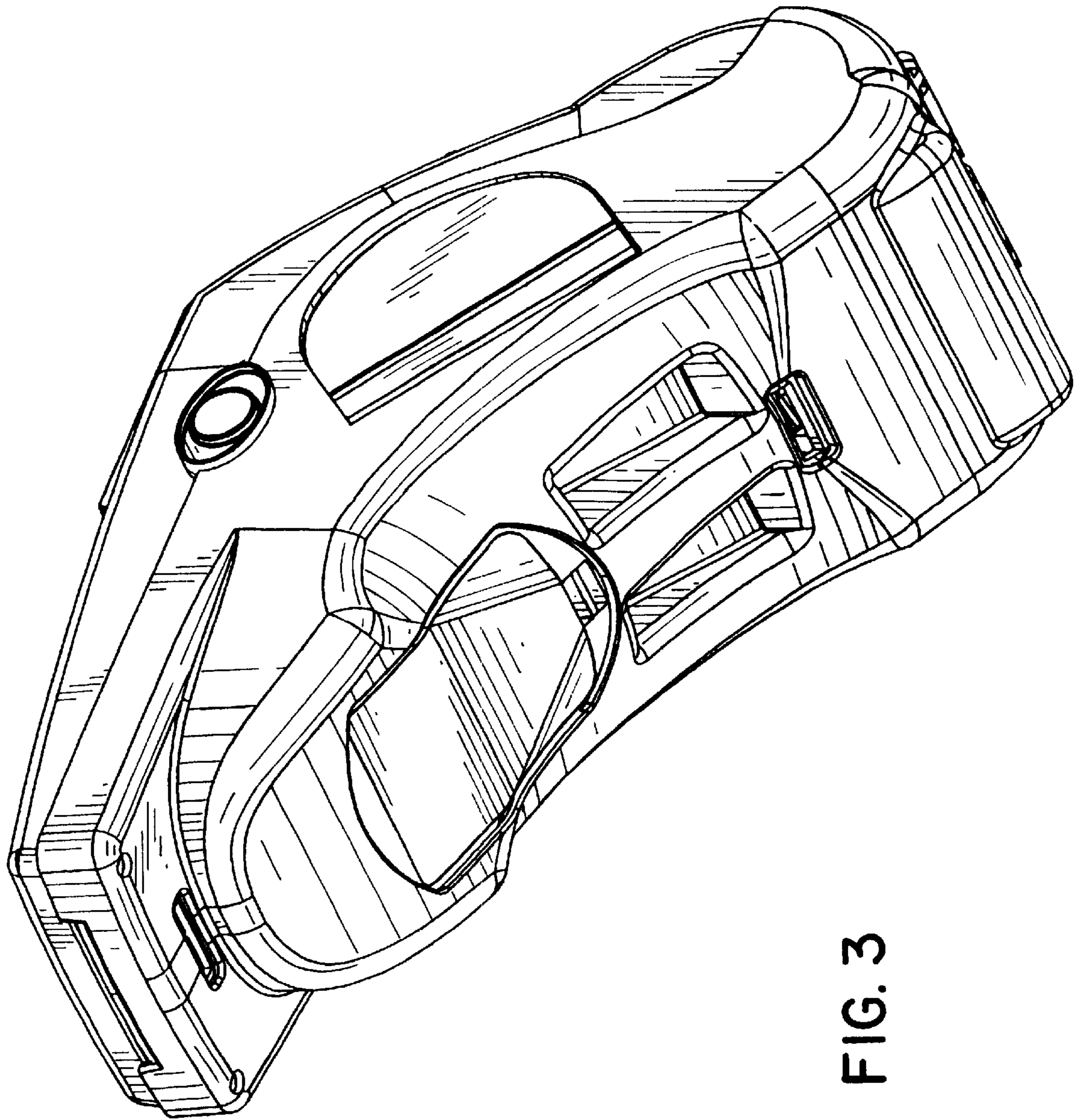


FIG. 3

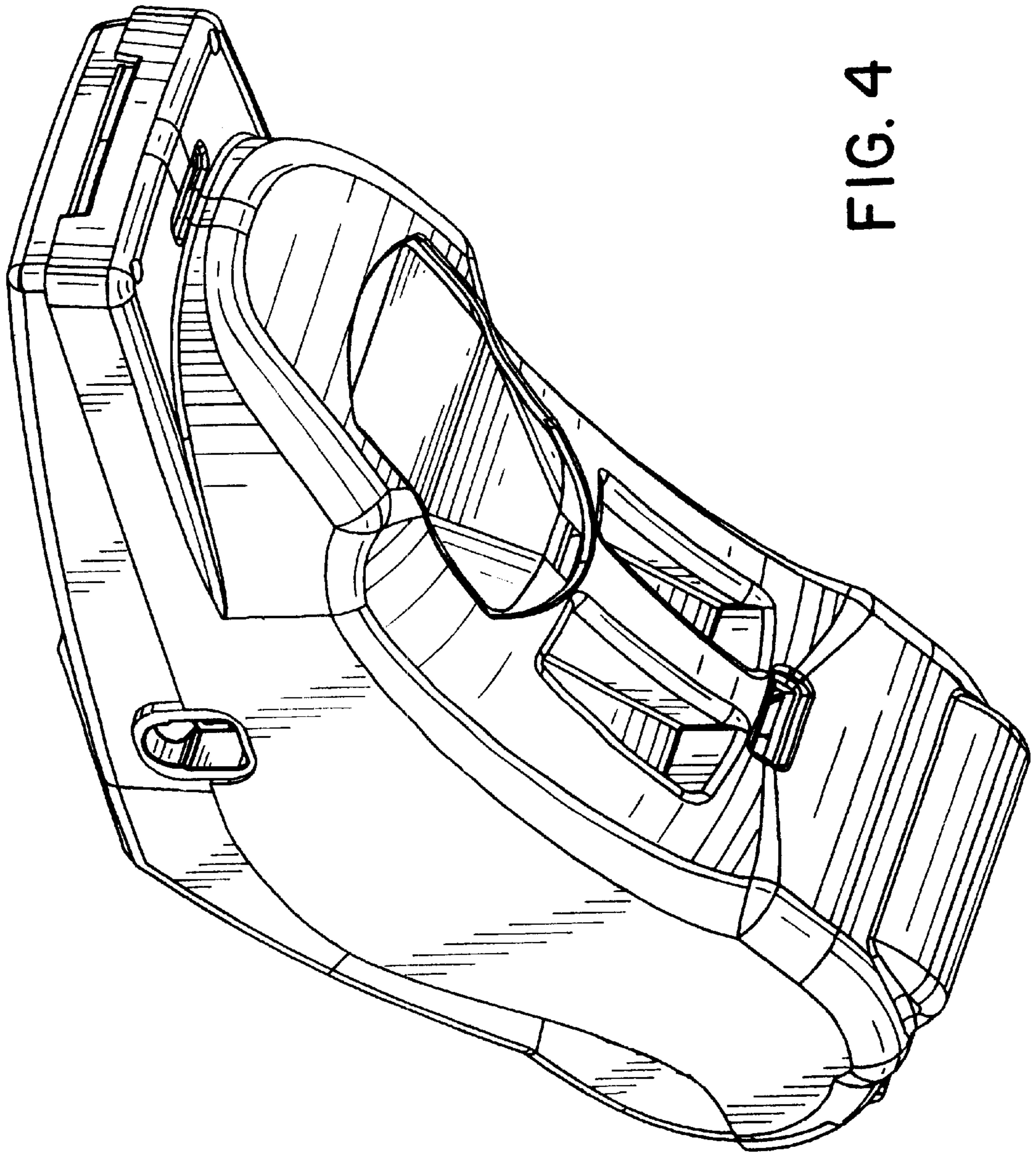


FIG. 4

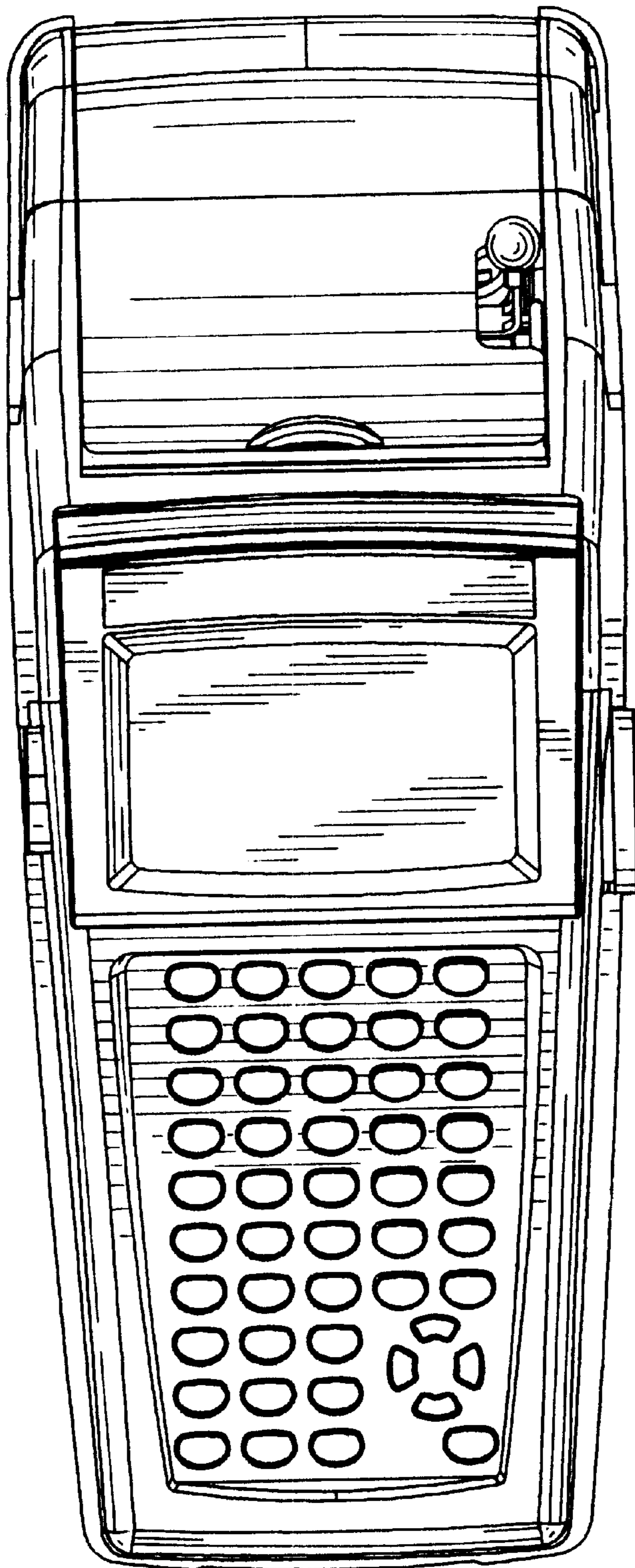


FIG. 5

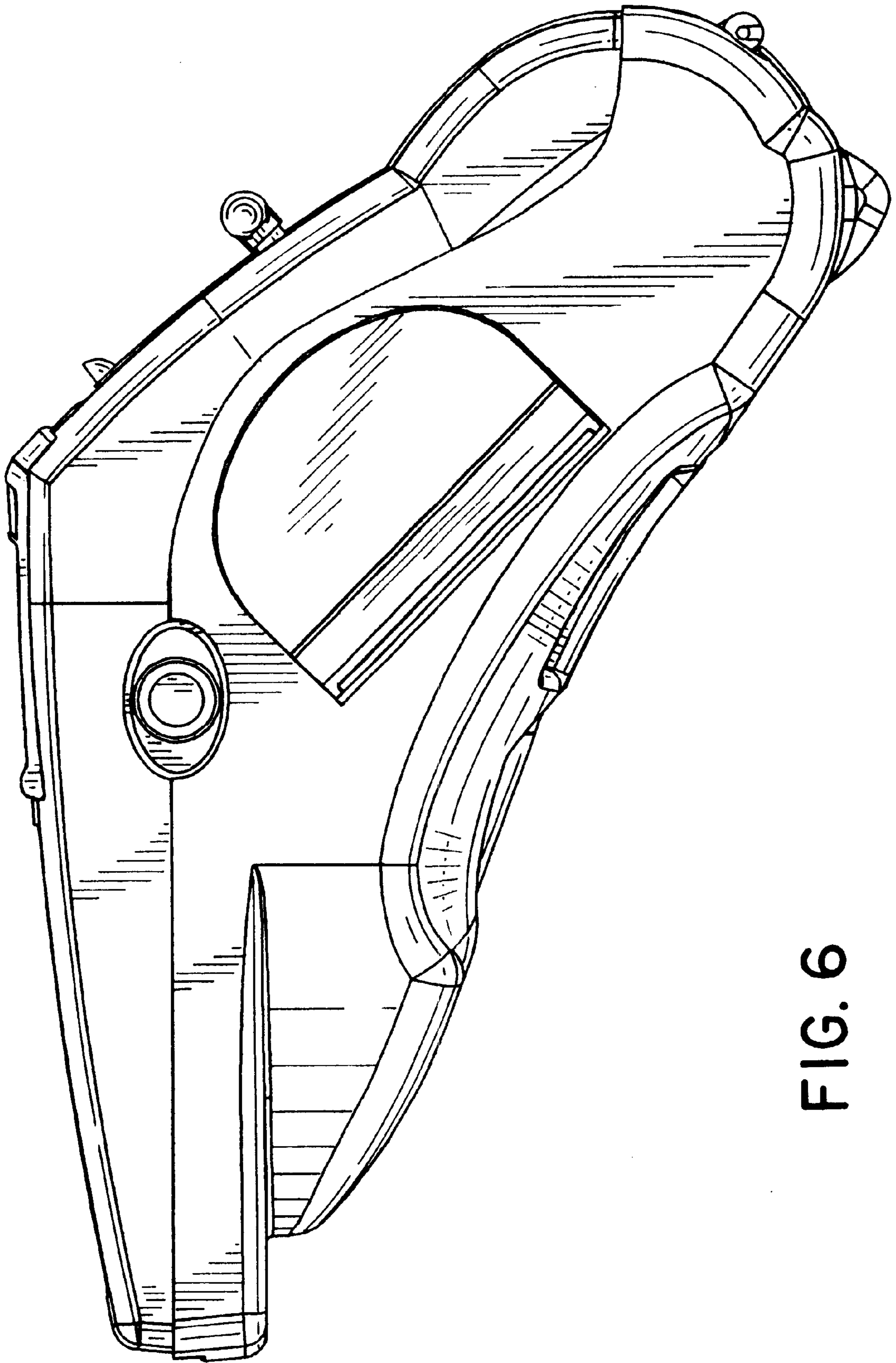


FIG. 6

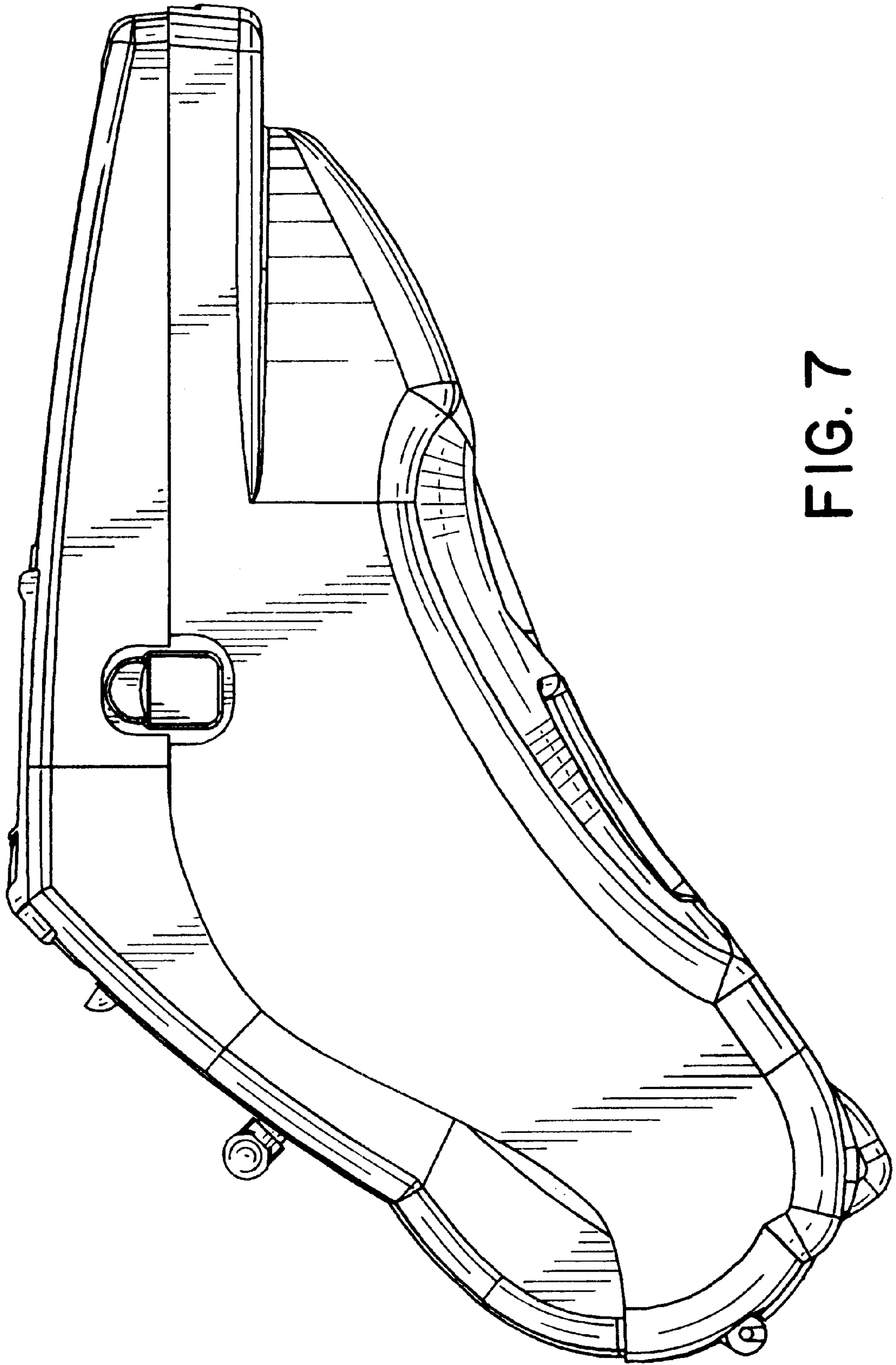


FIG. 7

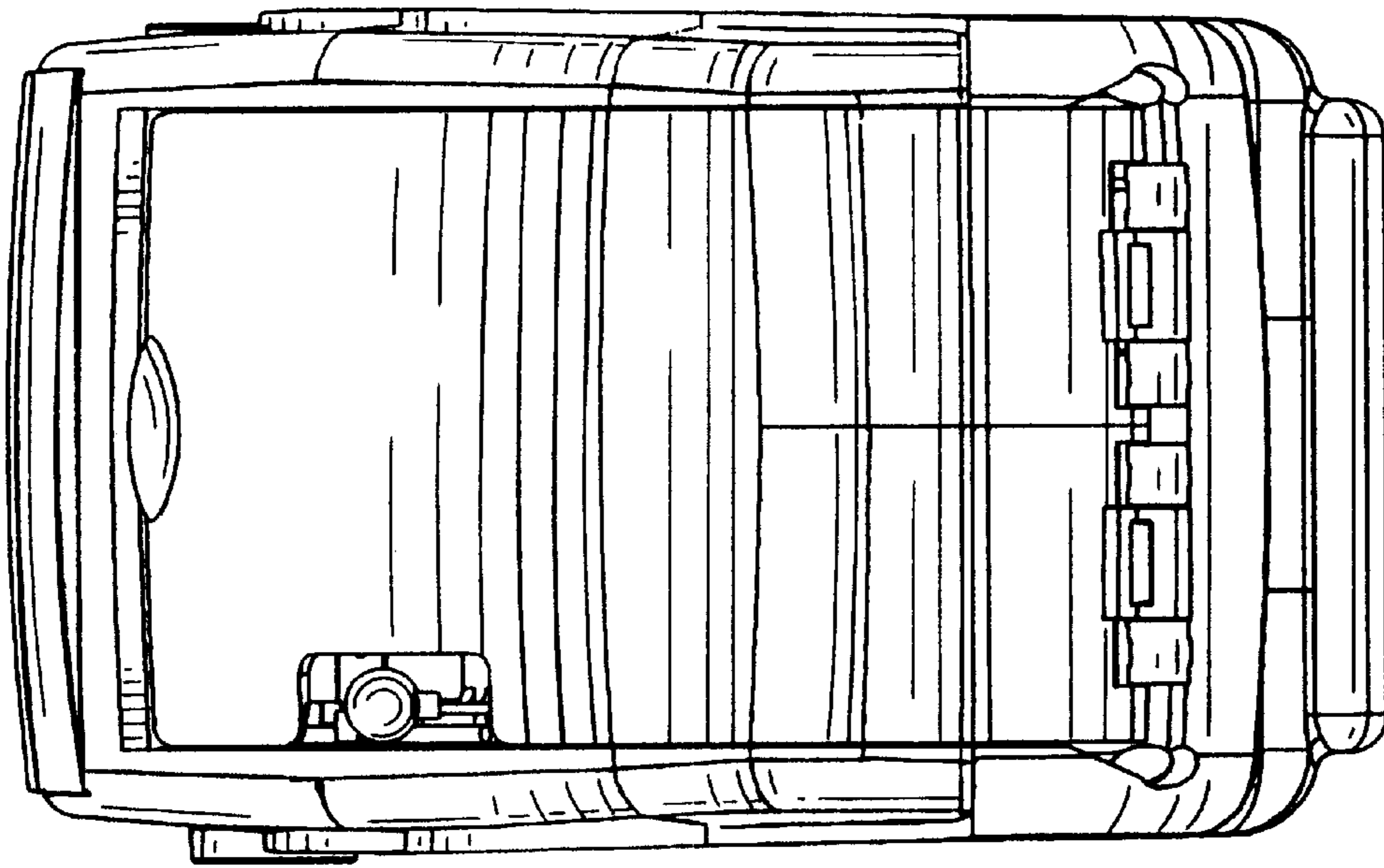


FIG. 9

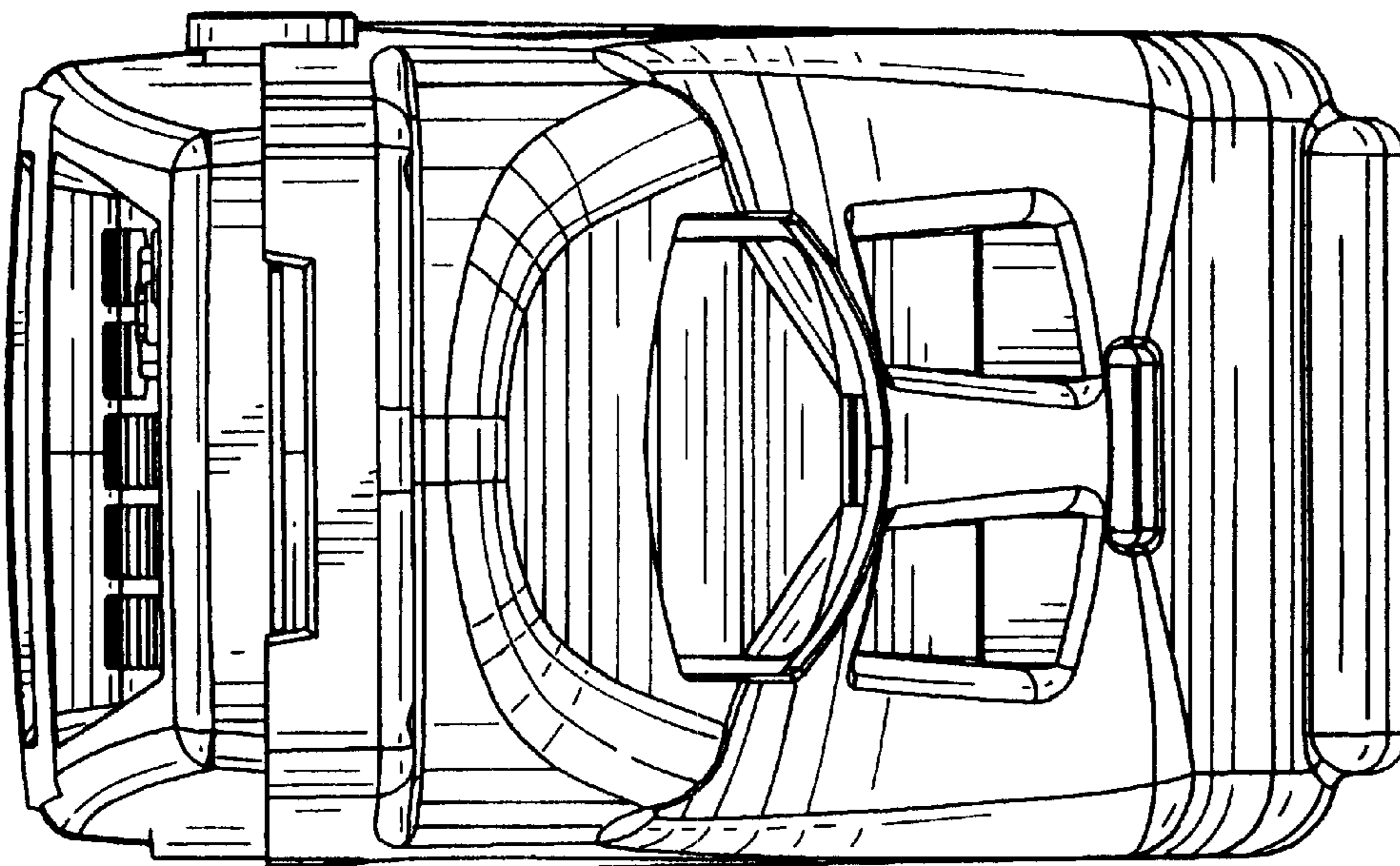


FIG. 8

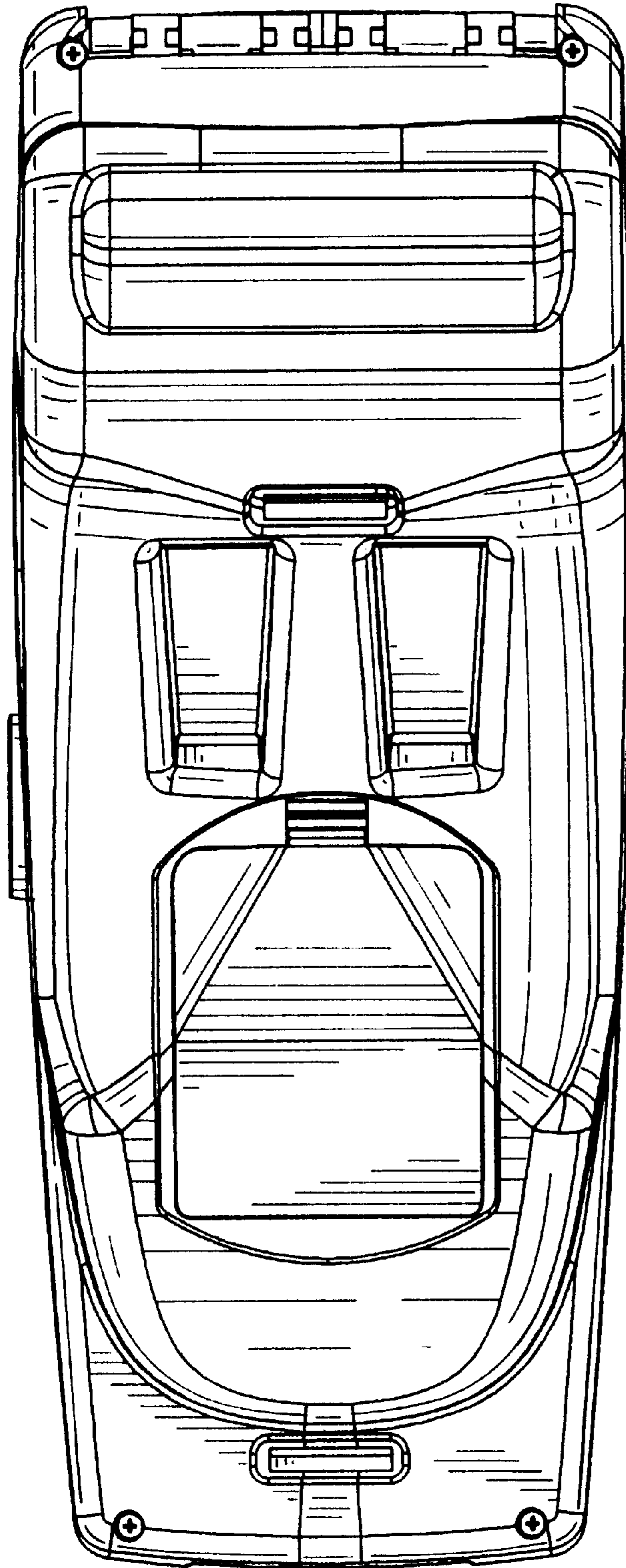


FIG. 10