



US00D455449S

(12) **United States Design Patent**
Siu

(10) **Patent No.:** **US D455,449 S**

(45) **Date of Patent:** **** Apr. 9, 2002**

(54) **WATCH WINDING MACHINE**

(75) Inventor: **Tze Sing Siu**, Kowloon (CN)

(73) Assignee: **Everwell Instruments Limited**,
Kowloon (CN)

(**) Term: **14 Years**

(21) Appl. No.: **29/138,235**

(22) Filed: **Mar. 9, 2001**

(51) **LOC (7) Cl.** **15-99**

(52) **U.S. Cl.** **D15/199**

(58) **Field of Search** D15/199; 368/10,
368/206-209; 366/14; 81/7.5

(56) **References Cited**

U.S. PATENT DOCUMENTS

6,254,270 B1 * 7/2001 Agnoff 368/206

* cited by examiner

Primary Examiner—Antoine Duval Davis

(74) *Attorney, Agent, or Firm*—Alix, Yale & Ristas, LLP

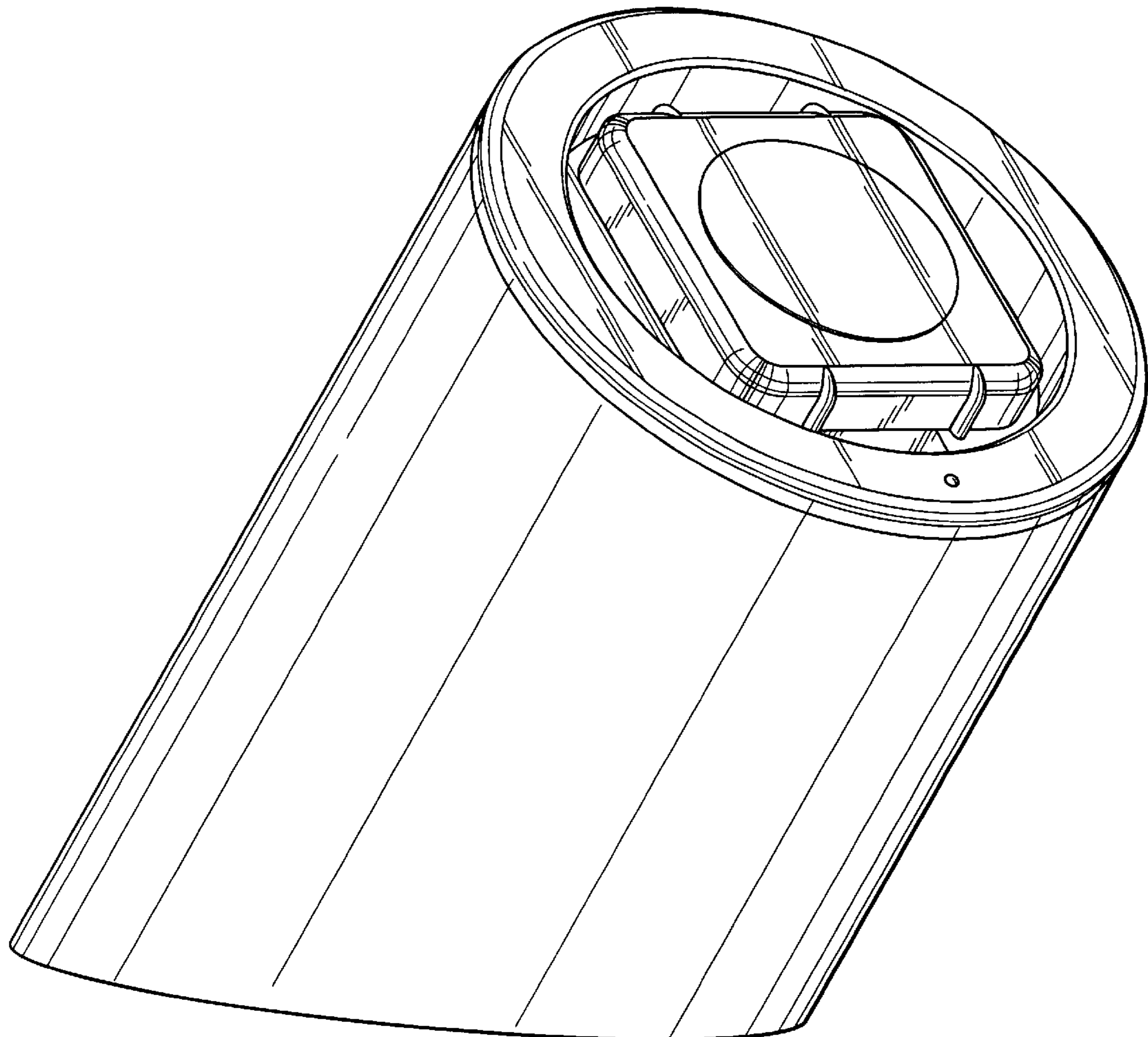
(57) **CLAIM**

The ornamental design for a watch winding machine, as shown and described.

DESCRIPTION

FIG. 1 is a front perspective view of the watch winding machine showing my new design;
FIG. 2 is a front view of the watch winding machine of FIG. 1;
FIG. 3 is a rear view of the watch winding machine of FIG. 1;
FIG. 4 is a left side view of the watch winding machine of FIG. 1;
FIG. 5 is a right side view of the watch winding machine of FIG. 1;
FIG. 6 is a top plan view of the watch winding machine of FIG. 1; and,
FIG. 7 is a bottom plan view of the watch winding machine of FIG. 1.

1 Claim, 6 Drawing Sheets



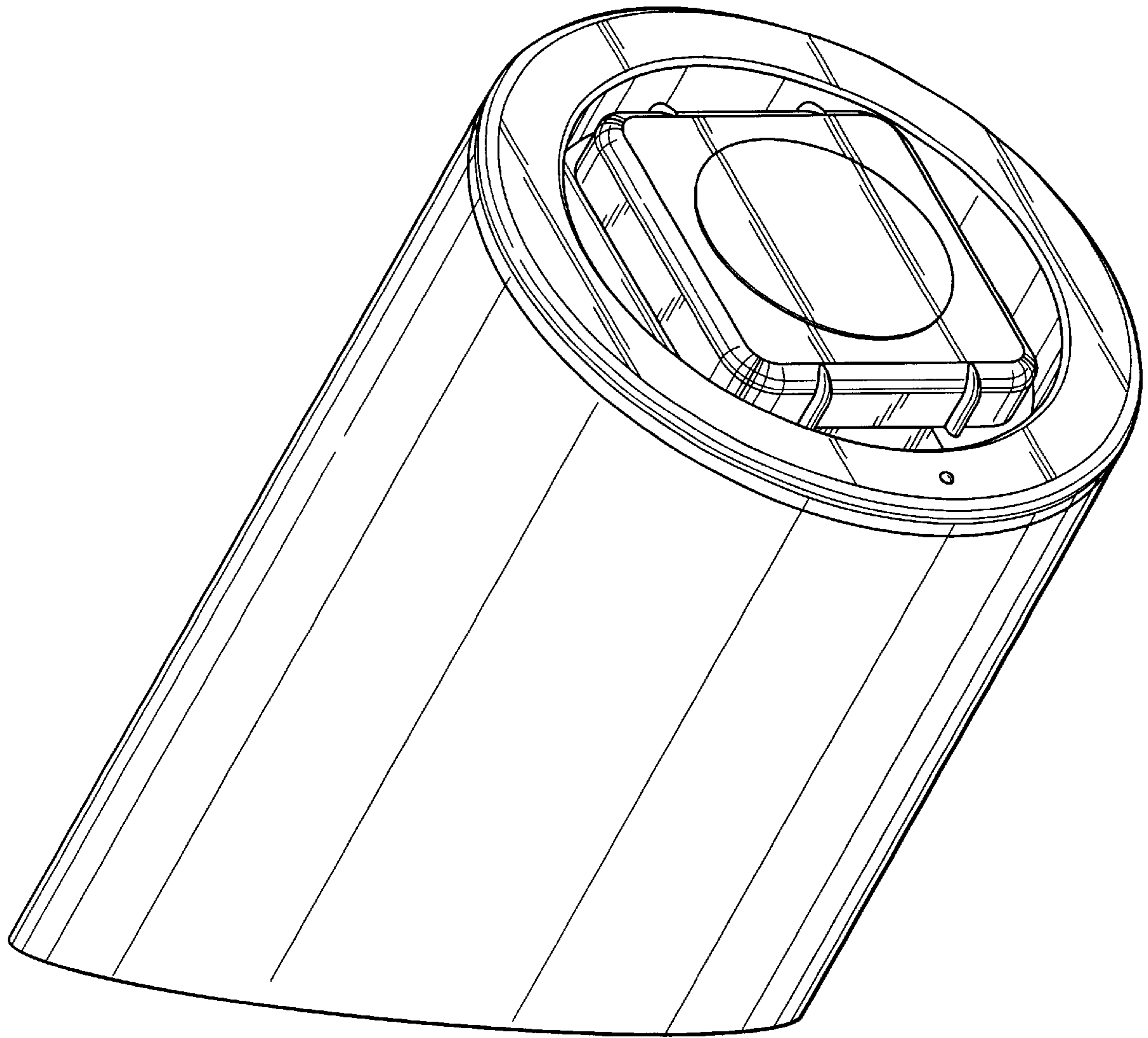


FIG. 1

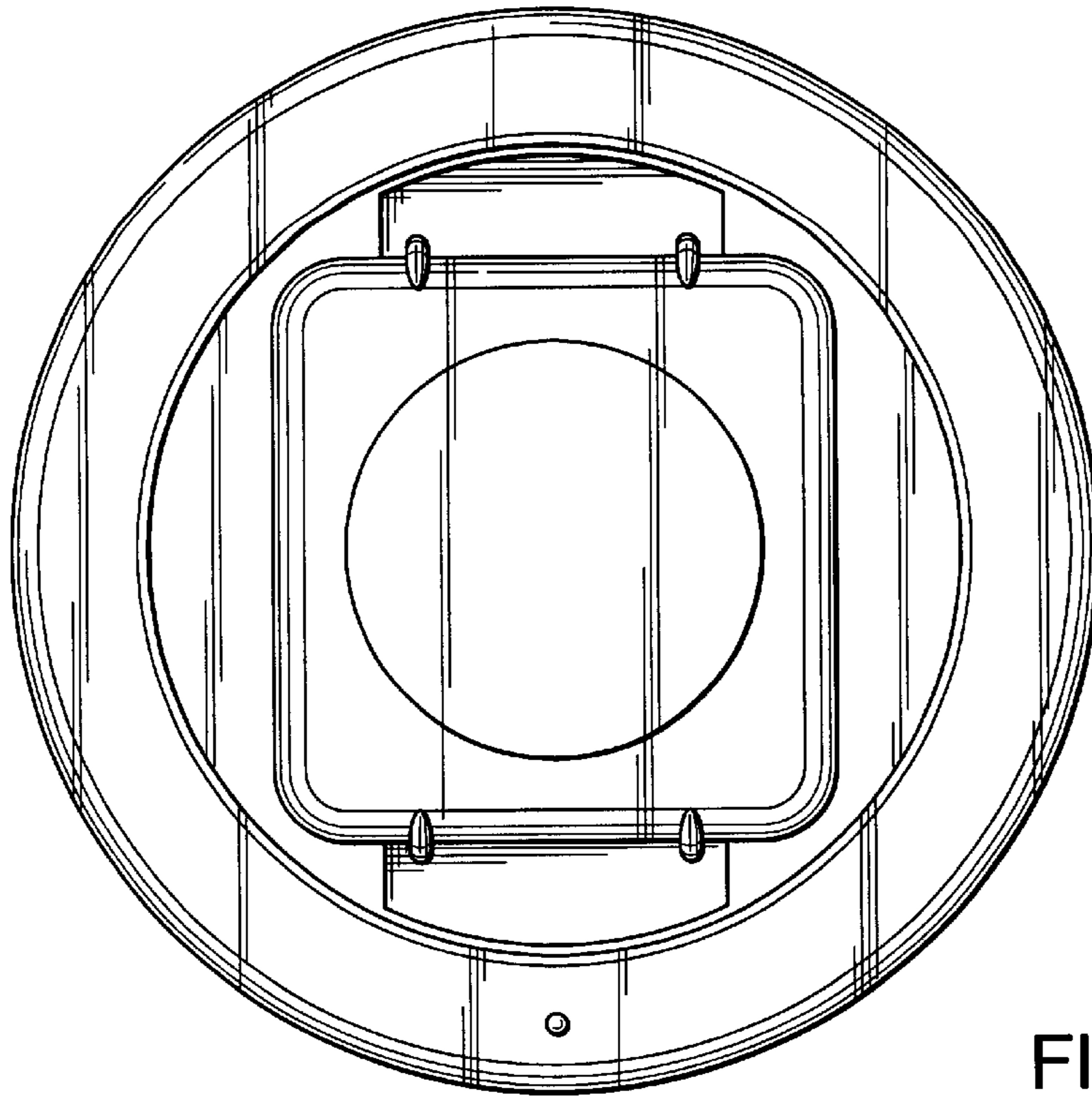


FIG. 2

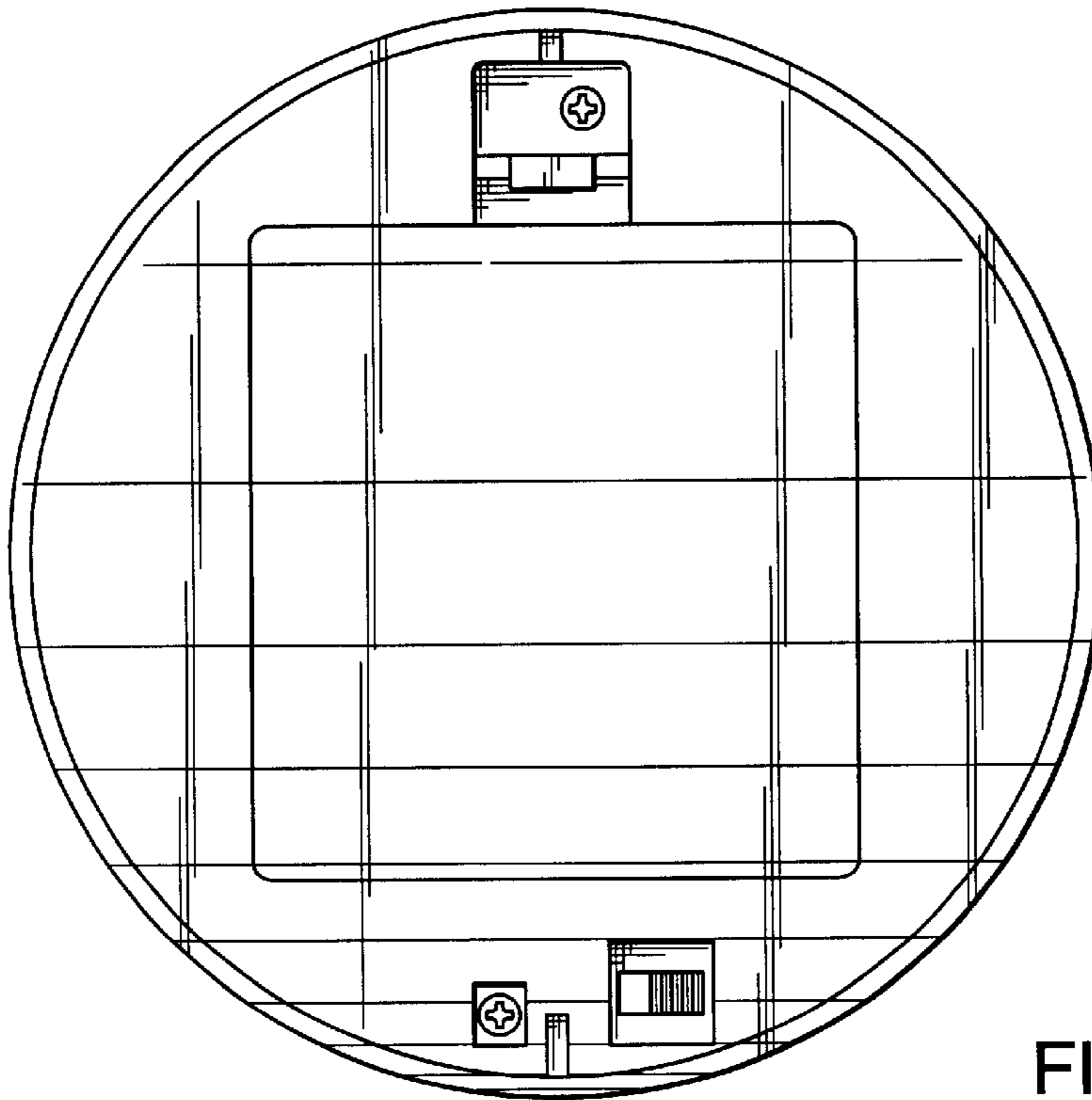


FIG. 3

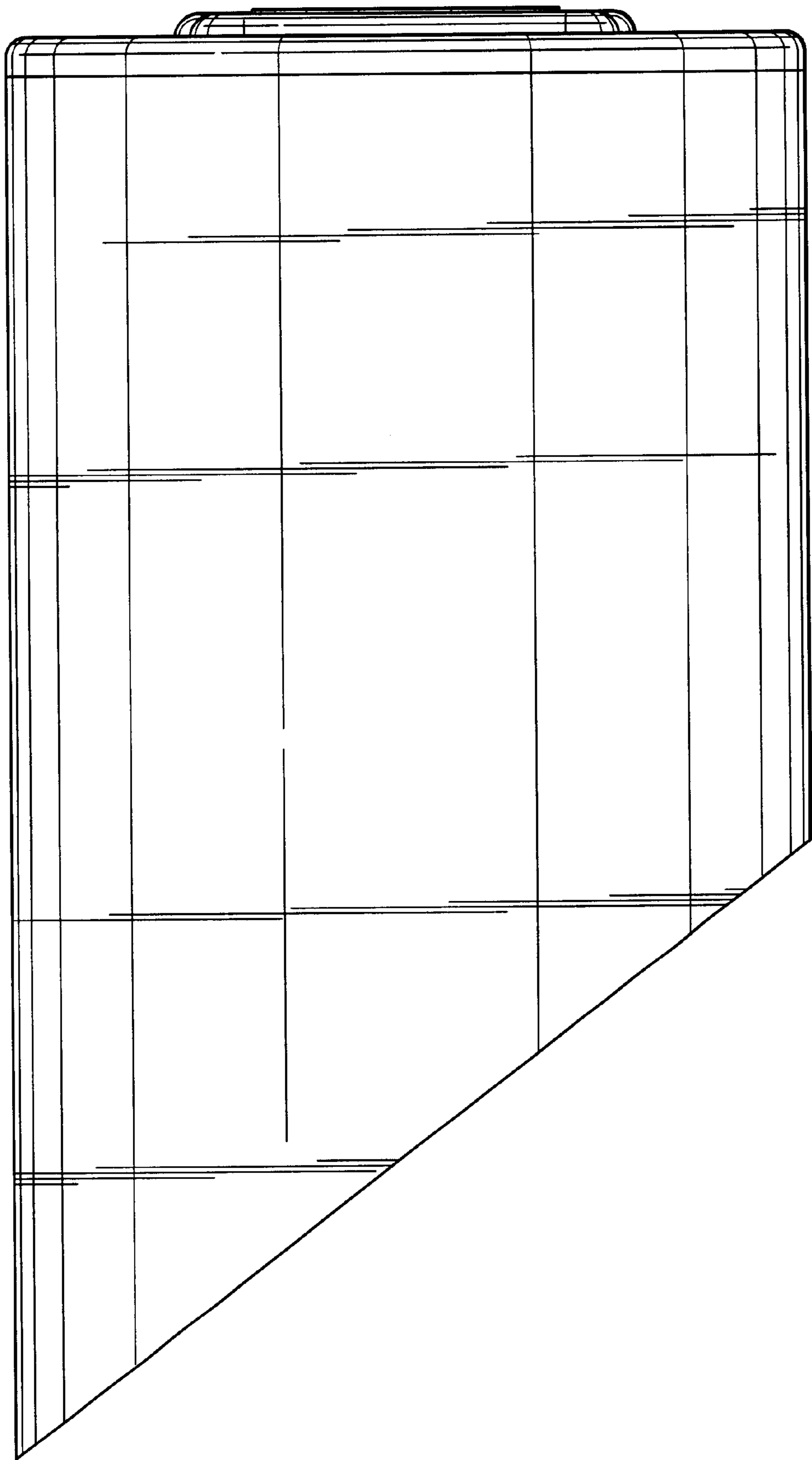


FIG. 4

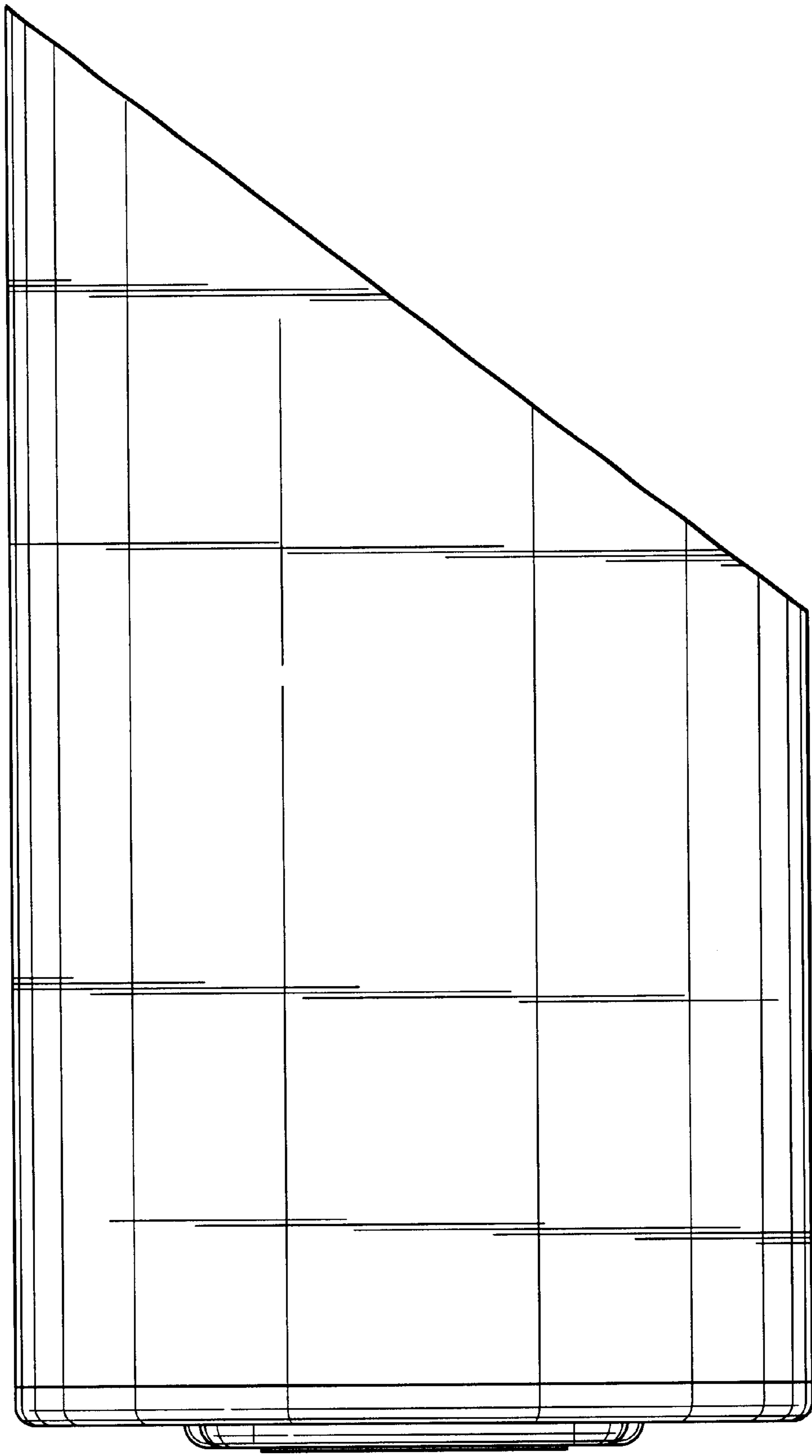


FIG. 5

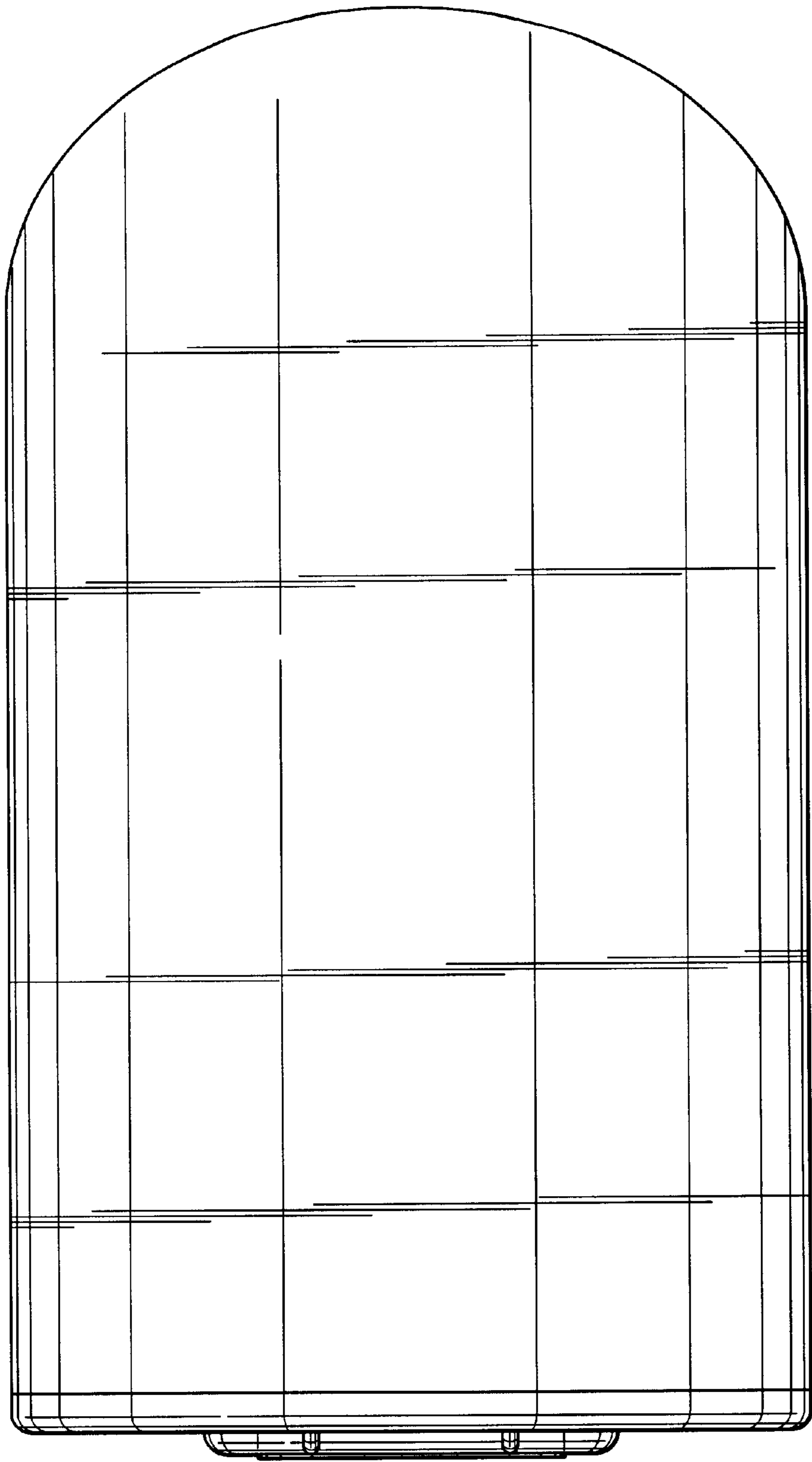


FIG. 6

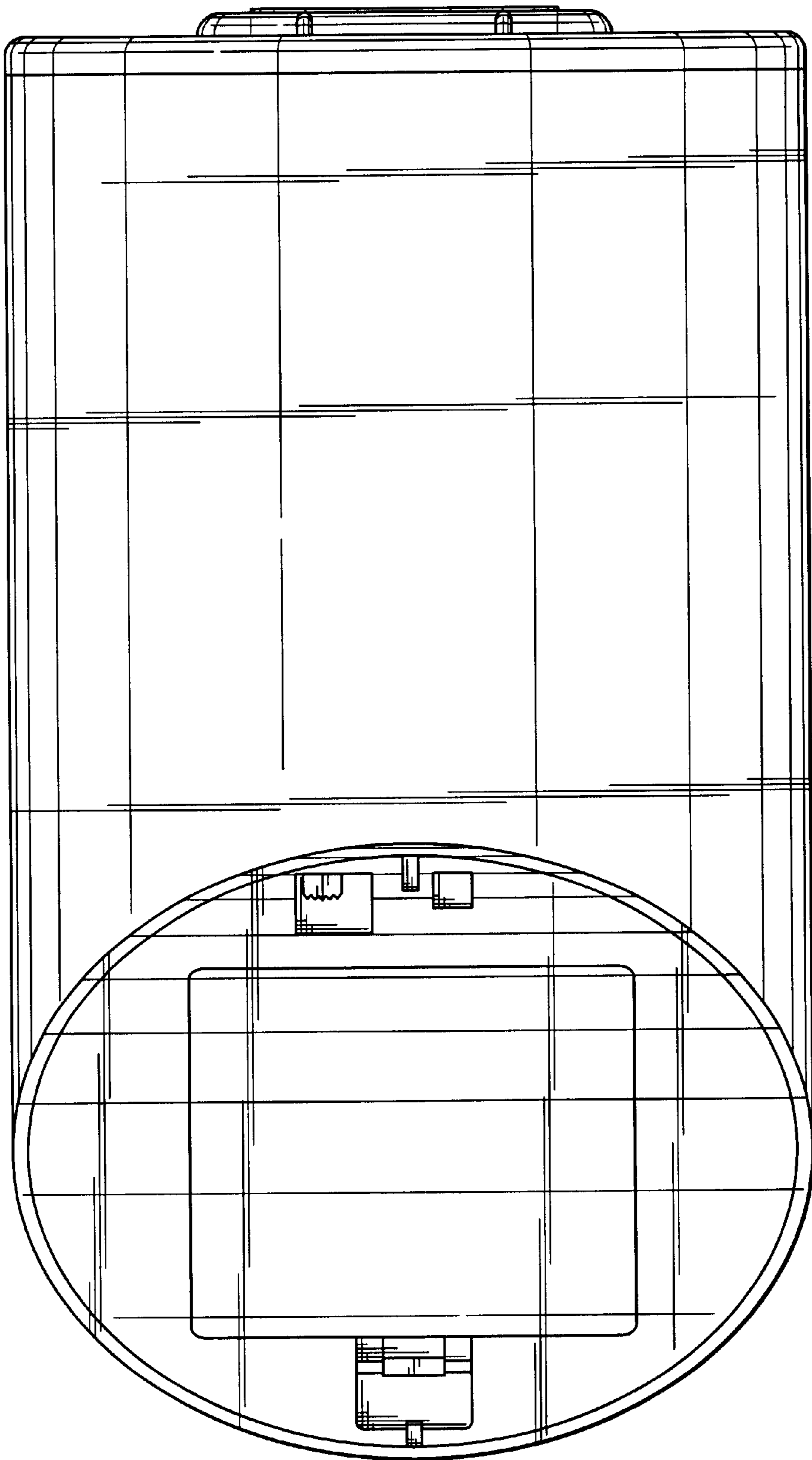


FIG. 7