



US00D455446S

(12) **United States Design Patent**
Collins

(10) **Patent No.:** **US D455,446 S**

(45) **Date of Patent:** **** Apr. 9, 2002**

(54) **COMPOUND BORING BIT**

(76) Inventor: **Phillips Collins**, P.O. Box 291,
Clontarf, MN (US) 56226

(**) Term: **14 Years**

(21) Appl. No.: **29/137,766**

(22) Filed: **Feb. 27, 2001**

(51) **LOC (7) Cl.** **15-09**

(52) **U.S. Cl.** **D15/139**

(58) **Field of Search** D15/139; 408/211-214,
408/225-230

(56) **References Cited**

U.S. PATENT DOCUMENTS

D394,663 S * 5/1998 Stone et al. D15/139
6,227,774 B1 * 5/2001 Haughton et al. 408/225

* cited by examiner

Primary Examiner—Antoine Duval Davis

(74) *Attorney, Agent, or Firm*—John D. Gugliotta

(57) **CLAIM**

The ornamental design for a compound boring bit, as shown and described.

DESCRIPTION

FIG. 1 is a perspective view of a compound boring bit showing my new design;

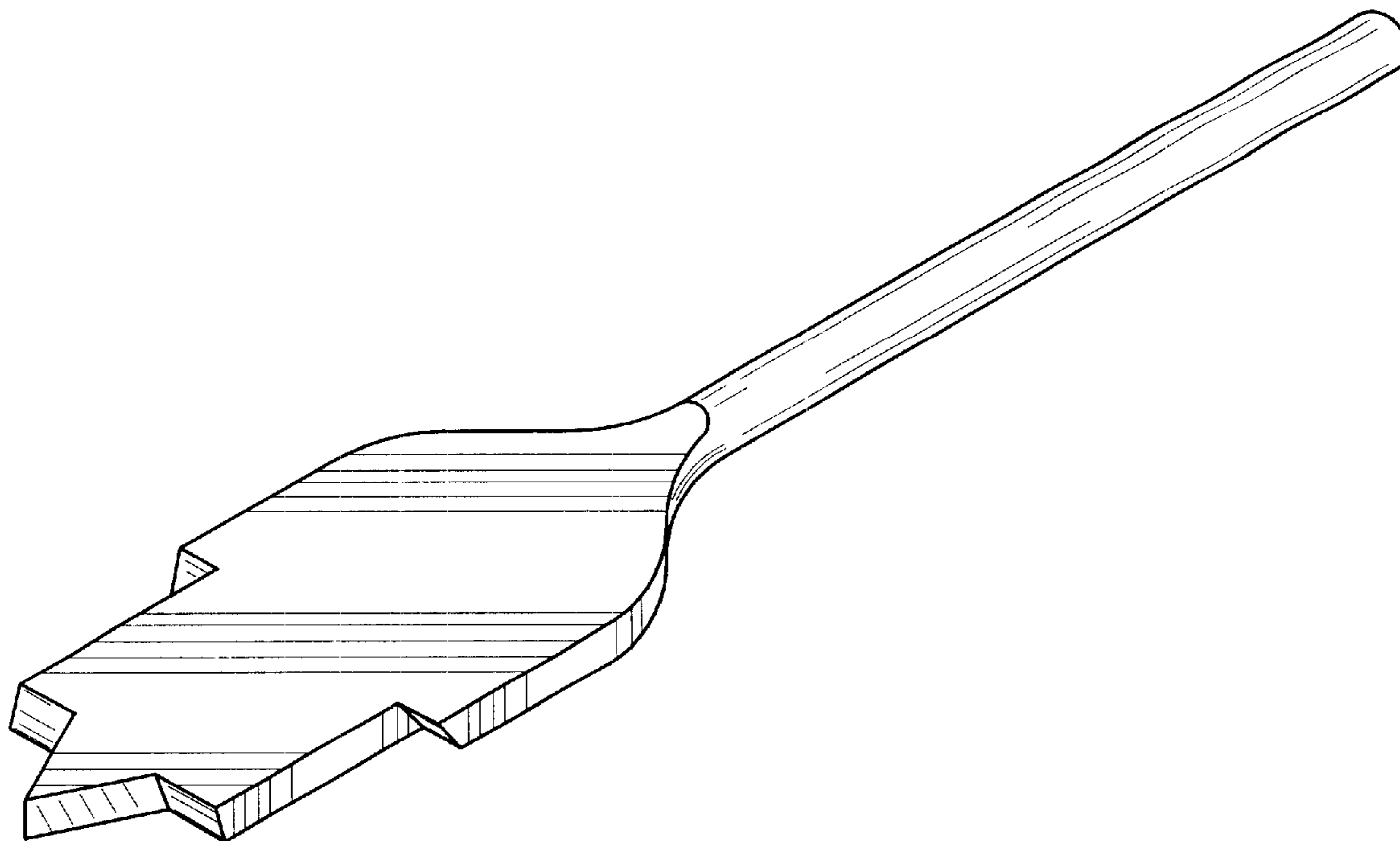
FIG. 2 is a front elevational view thereof, the rear elevational view being a mirror image;

FIG. 3 is a side elevational view thereof, the opposite side being a mirror image;

FIG. 4 is a top plan view thereof; and,

FIG. 5 is a rear plan view thereof.

1 Claim, 2 Drawing Sheets



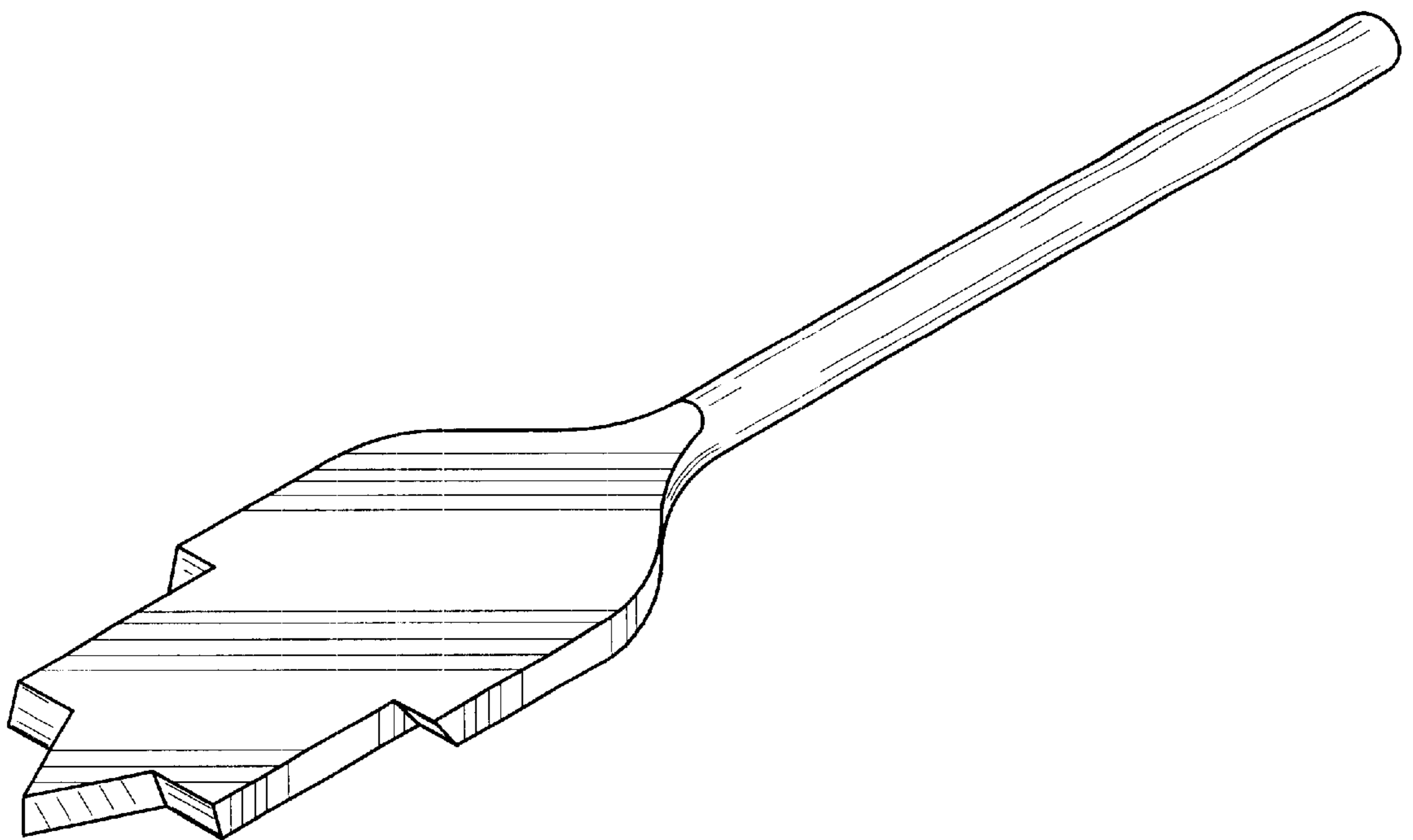


Figure 1

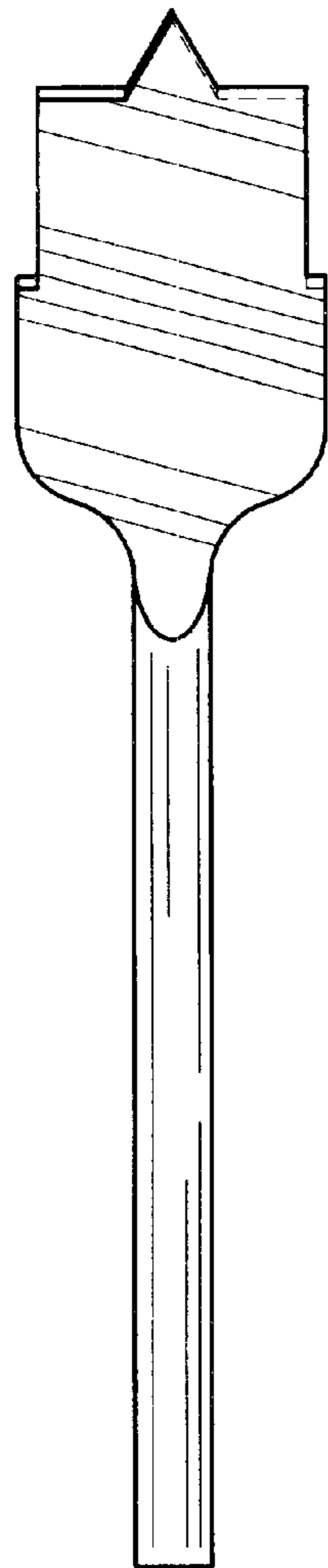


Figure 2

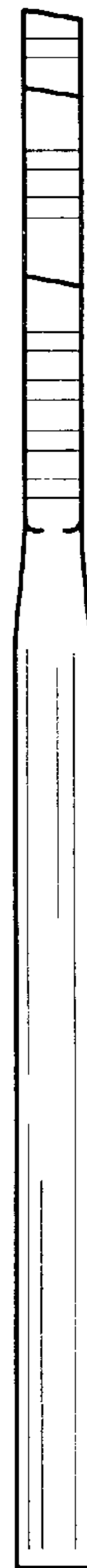


Figure 3



Figure 4



Figure 5