



US00D455445S

(12) **United States Design Patent**
Bean et al.

(10) **Patent No.:** **US D455,445 S**

(45) **Date of Patent:** **** Apr. 9, 2002**

(54) **MITER SAW**

(75) Inventors: **Frederick R. Bean**, Finksburg; **Peter Chaikowsky**, Belair, both of MD (US); **Steven K. McKeithen**, Texarkana, TX (US); **Darren B. Moss**, Cockeysville, MD (US); **James D. Schroeder**, Stewartstown, PA (US); **Robert P. Welsh**, Hunt Valley; **Stuart J. Wright**, Timonium, both of MD (US)

(73) Assignee: **Black & Decker Inc.**, Newark, DE (US)

(**) Term: **14 Years**

(21) Appl. No.: **29/137,150**

(22) Filed: **Feb. 14, 2001**

Related U.S. Application Data

(63) Continuation-in-part of application No. 29/124,607, filed on Jun. 8, 2000, now Pat. No. Des. 441,771.

(51) **LOC (7) Cl.** **15-09**

(52) **U.S. Cl.** **D15/133**

(58) **Field of Search** D15/133; 83/471.1-471.3, 83/477, 581

(56) **References Cited**

U.S. PATENT DOCUMENTS

D346,173 S * 4/1994 Price D15/133

D366,491 S * 1/1996 Chang D15/133

D388,442 S * 12/1997 Shibata et al. D15/133

D425,083 S * 5/2000 Brickner, Jr. et al. D15/133

D428,426 S * 7/2000 Brazell D15/133

* cited by examiner

Primary Examiner—Antoine Duval Davis

(74) *Attorney, Agent, or Firm*—Adan Ayala

(57) **CLAIM**

The ornamental design for a miter saw, as shown and described

DESCRIPTION

FIG. 1 is a perspective view of a first embodiment of a miter saw.

FIG. 2 is a left side elevational view of the first embodiment.

FIG. 3 is a right side elevational view of the first embodiment.

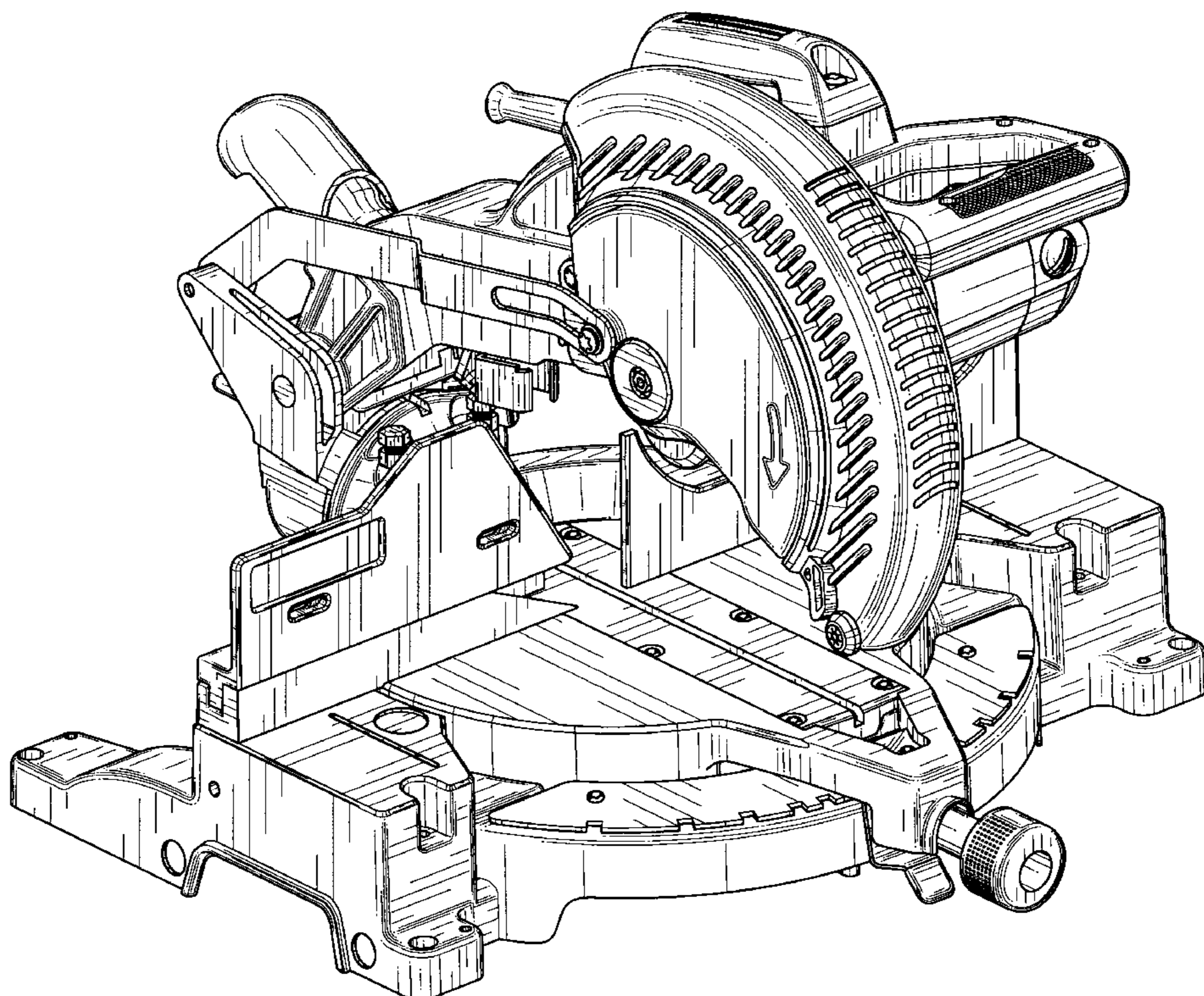
FIG. 4 is a front elevational view of the first embodiment.

FIG. 5 is a rear elevational view of the first embodiment; and,

FIG. 6 is a top plan view of the first embodiment.

Any view not shown does not form a part of the invention

1 Claim, 6 Drawing Sheets



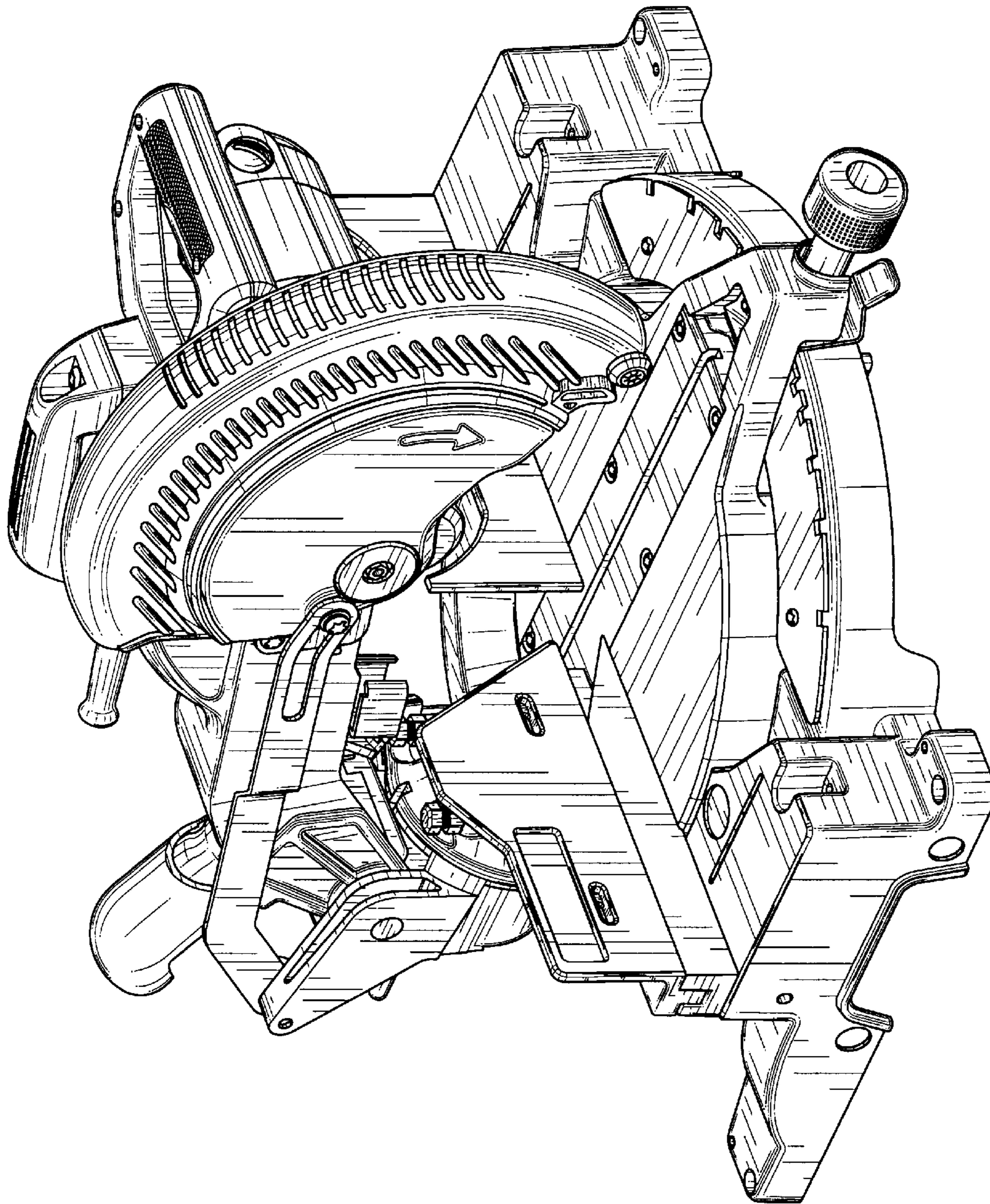


FIG. 1

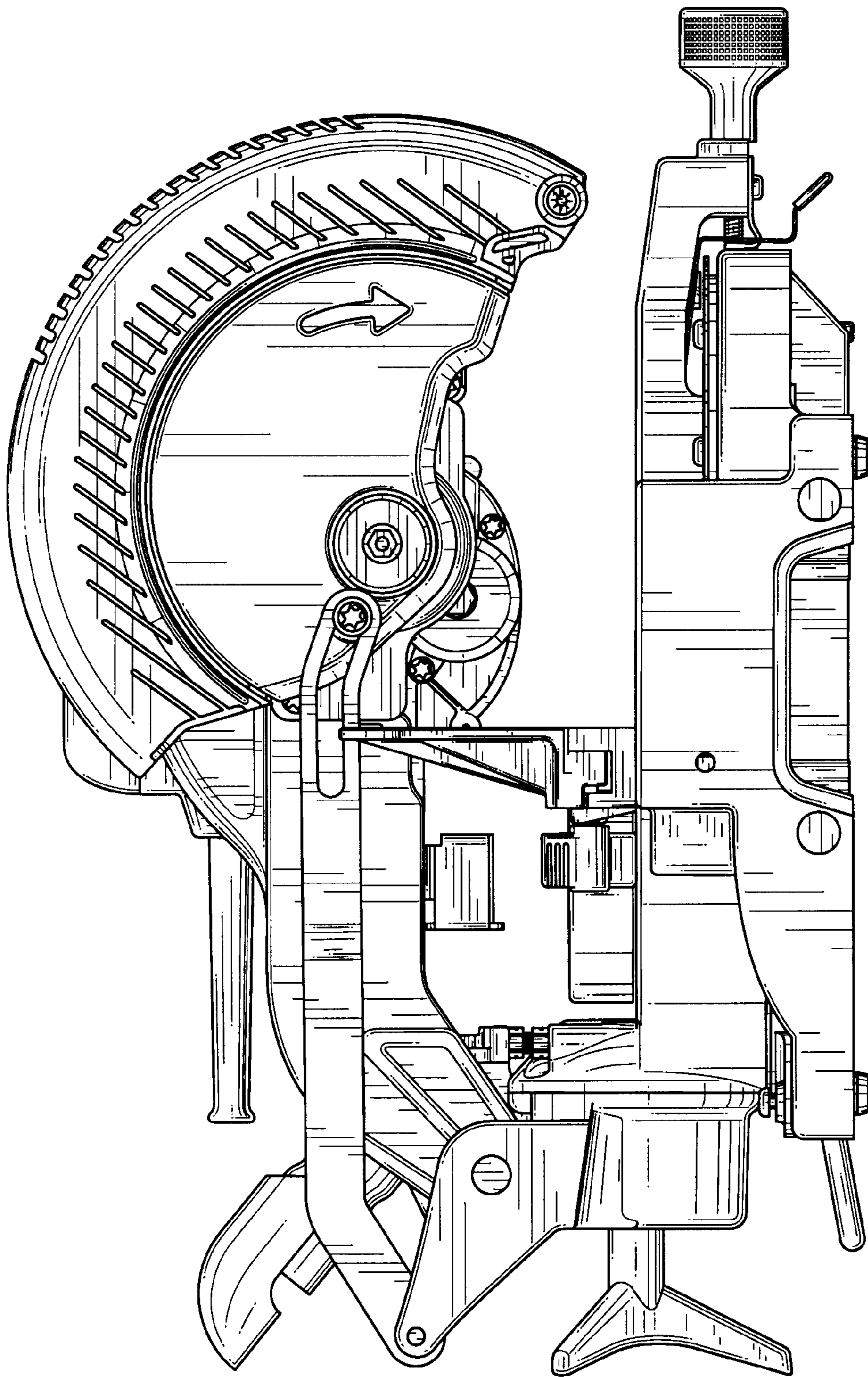


FIG. 2

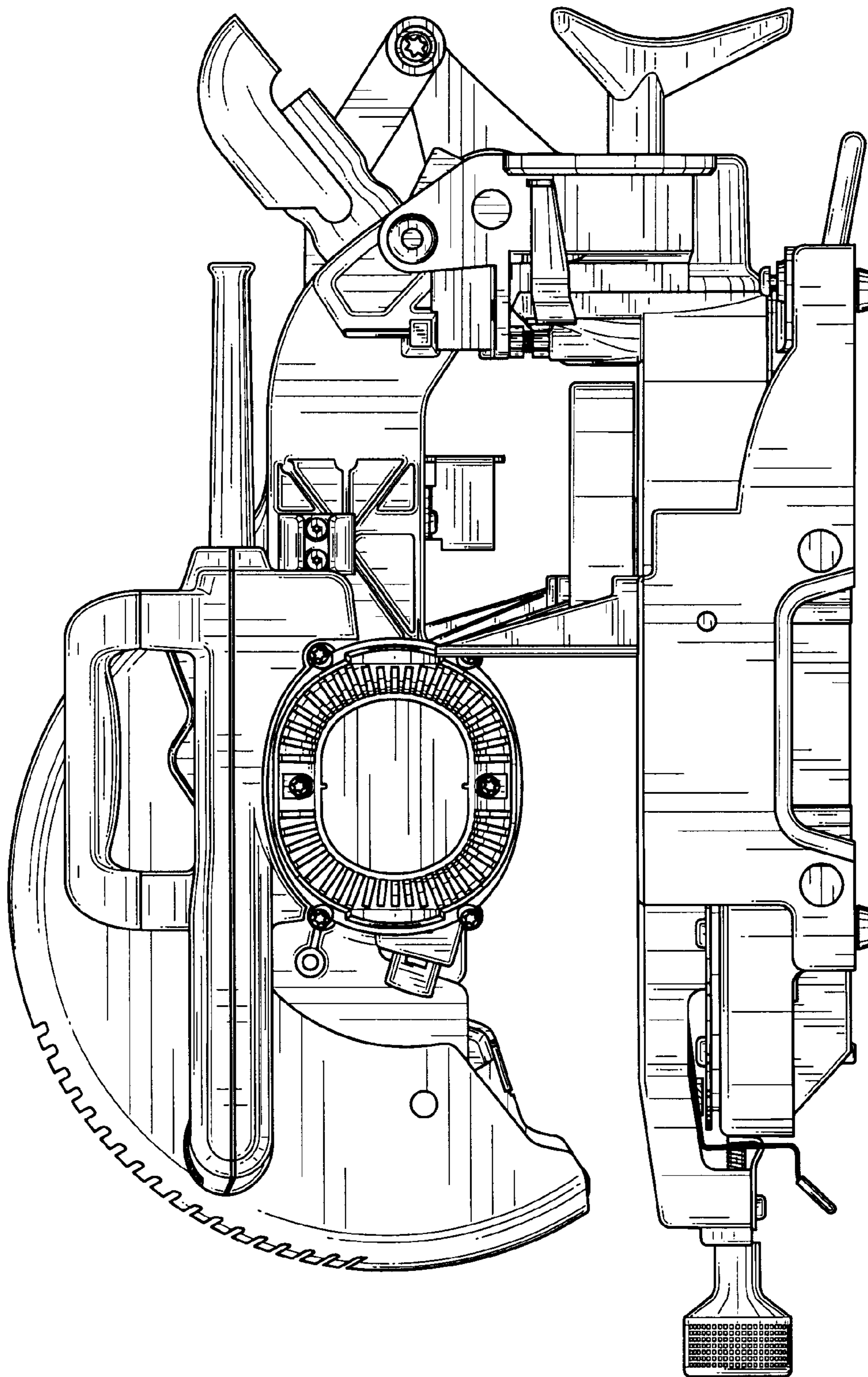


FIG. 3

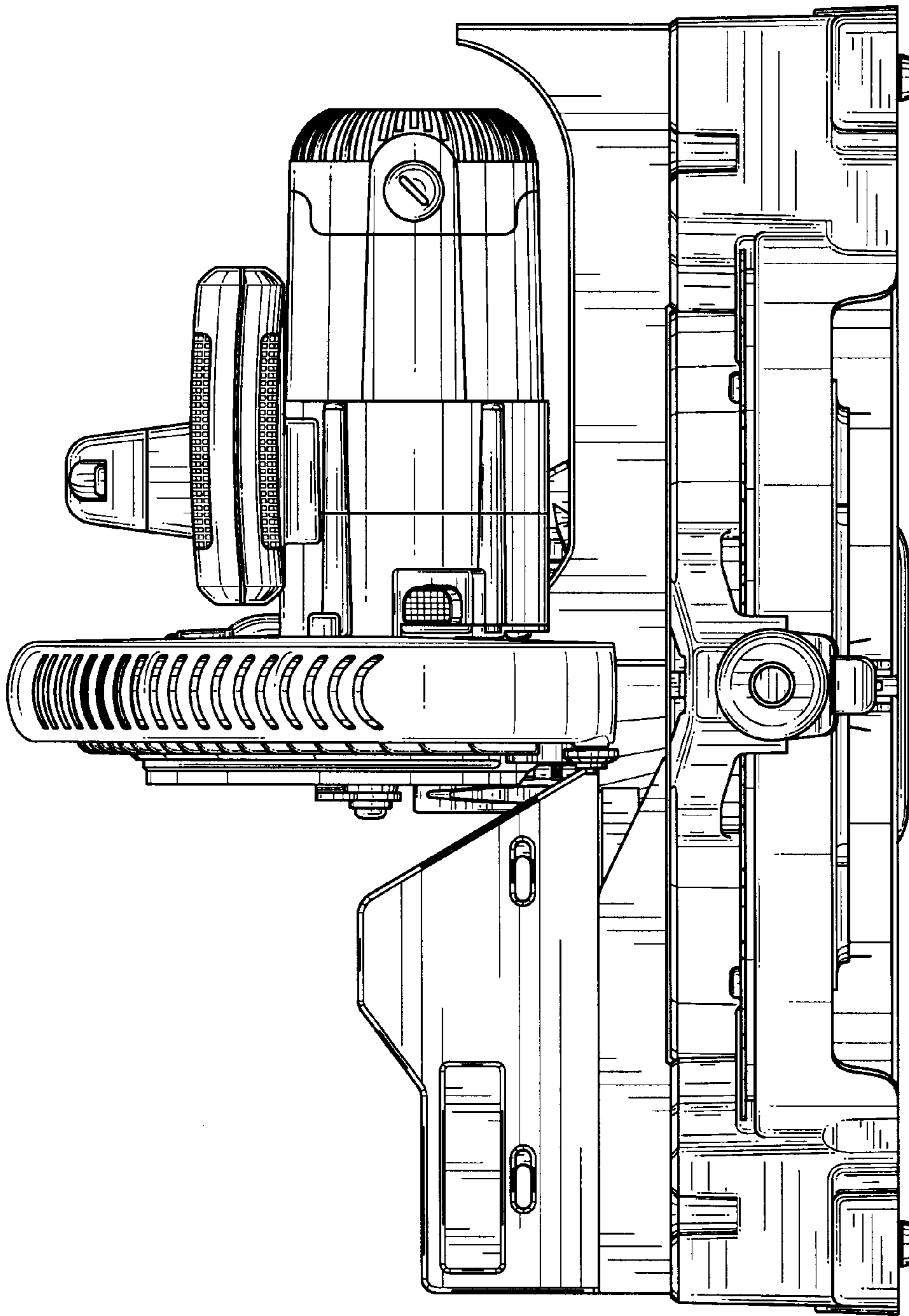


FIG. 4

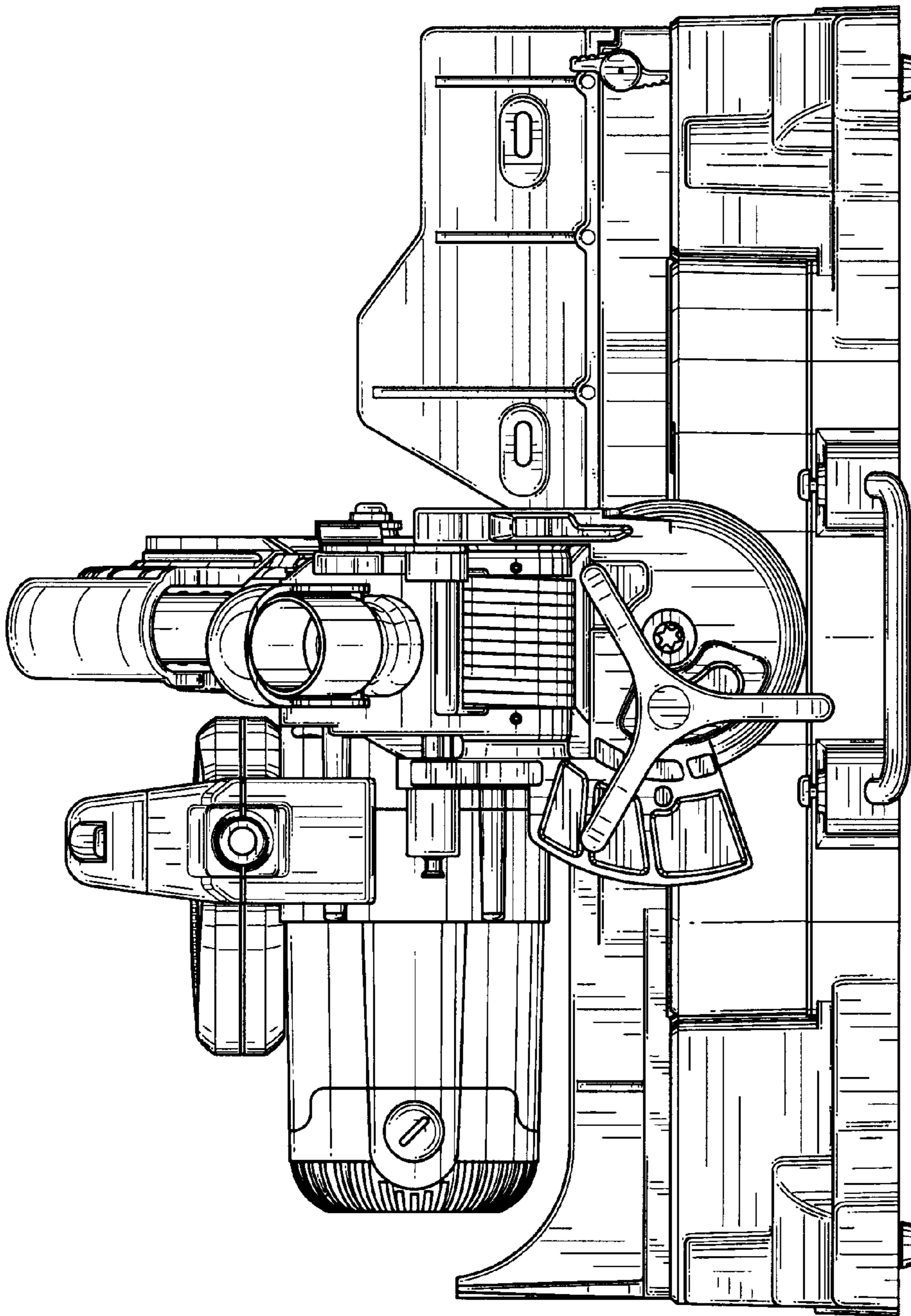


FIG. 5

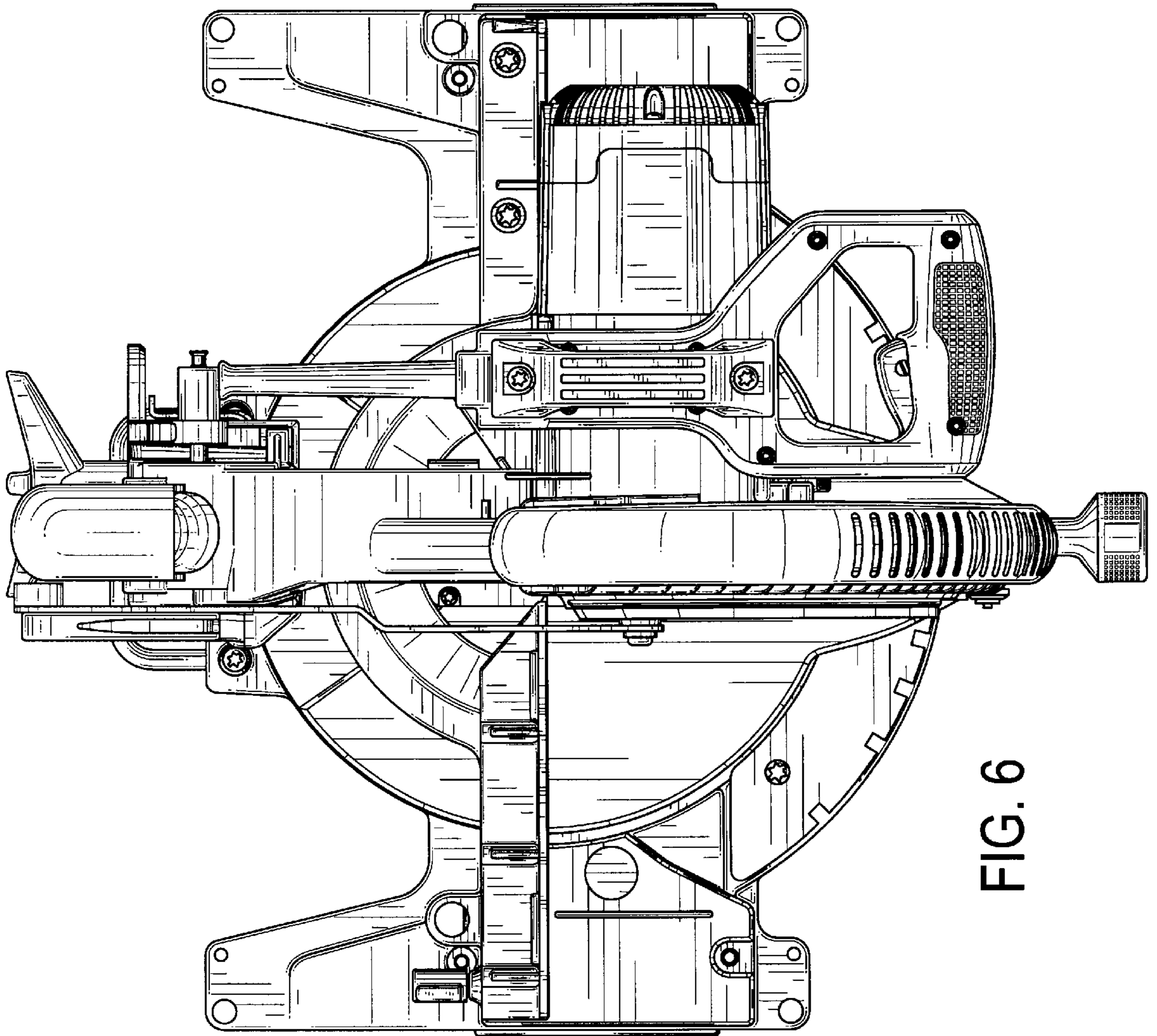


FIG. 6