



US00D455441S

(12) **United States Design Patent**  
**Chou**

(10) **Patent No.:** **US D455,441 S**

(45) **Date of Patent:** **\*\* Apr. 9, 2002**

(54) **INFLATOR AND DEFLATOR PUMP**

(76) **Inventor:** **Wen-San Chou**, No.1-25, Kang Wei Village, An-Din Hsiang, Tainan Hsien (TW)

(\*\*) **Term:** **14 Years**

(21) **Appl. No.:** **29/136,070**

(22) **Filed:** **Jan. 25, 2001**

(51) **LOC (7) Cl.** ..... **15-02**

(52) **U.S. Cl.** ..... **D15/7**

(58) **Field of Search** ..... D15/5-9; 222/61, 222/208; 285/8, 24, 156, 148.13, 41, 61, 155, 292; 137/601; 138/33; D23/259; 417/40, 234, 360

(56) **References Cited**

**U.S. PATENT DOCUMENTS**

D289,051 S 3/1987 Belletire ..... D15/7  
D376,370 S 12/1996 Davis et al. .... D15/7

D403,329 S 12/1998 Walker et al. .... D15/7

D422,601 S 4/2000 Bonzer ..... D15/7

D425,914 S 5/2000 Tsai ..... D15/7

D445,804 S 7/2001 Tsai ..... D15/7

*Primary Examiner*—Ralf Seifert

(74) *Attorney, Agent, or Firm*—Bacon & Thomas, PLLC

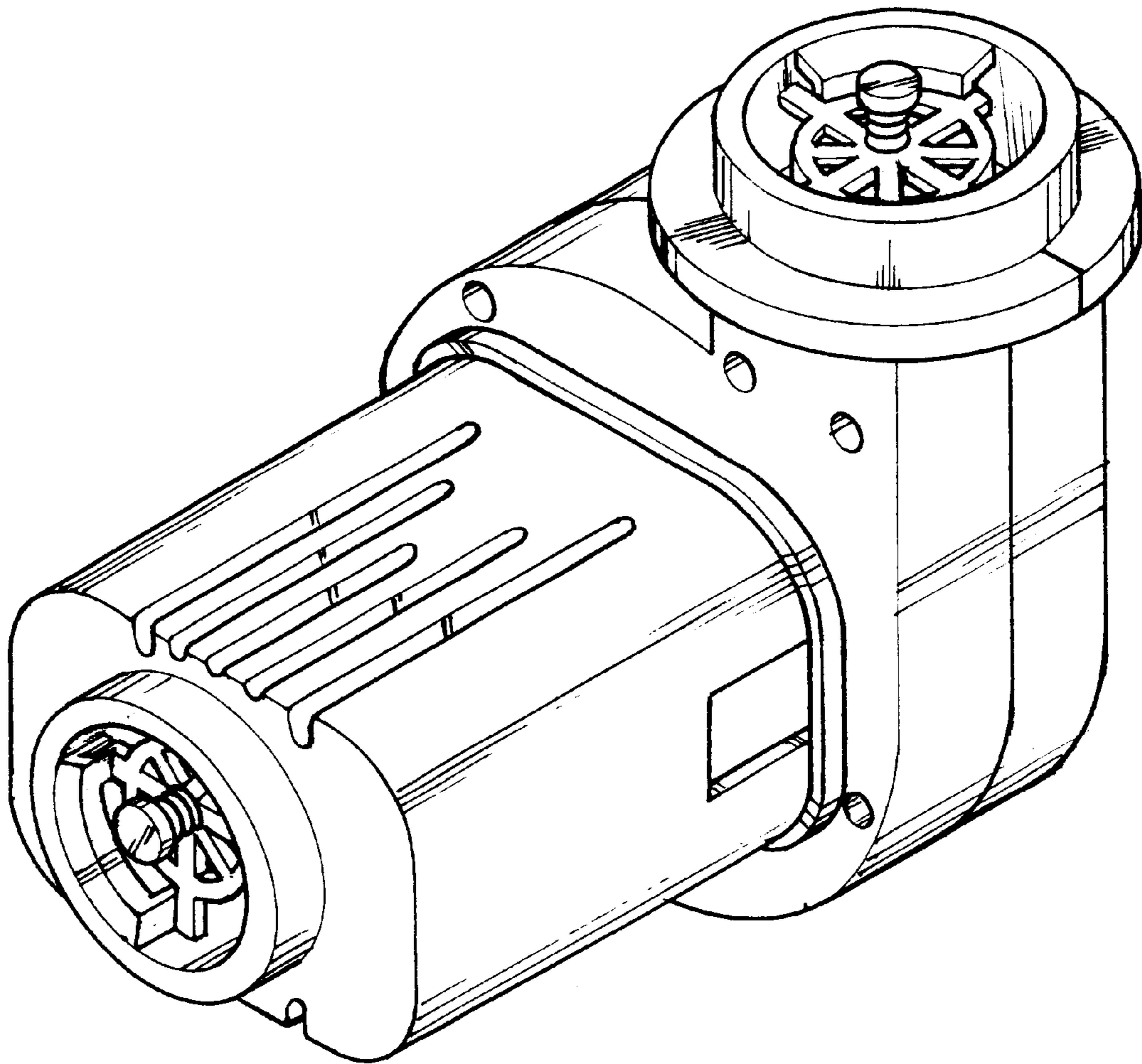
(57) **CLAIM**

The ornamental design for a inflator and deflator pump, as shown.

**DESCRIPTION**

FIG. 1 is a perspective view of a inflator and deflator pump showing my new design;  
FIG. 2 is a front side elevational view thereof;  
FIG. 3 is a rear side elevational view thereof;  
FIG. 4 is a left view thereof;  
FIG. 5 is a right view thereof;  
FIG. 6 is a top plan view thereof; and,  
FIG. 7 is a bottom plan view thereof.

**1 Claim, 7 Drawing Sheets**



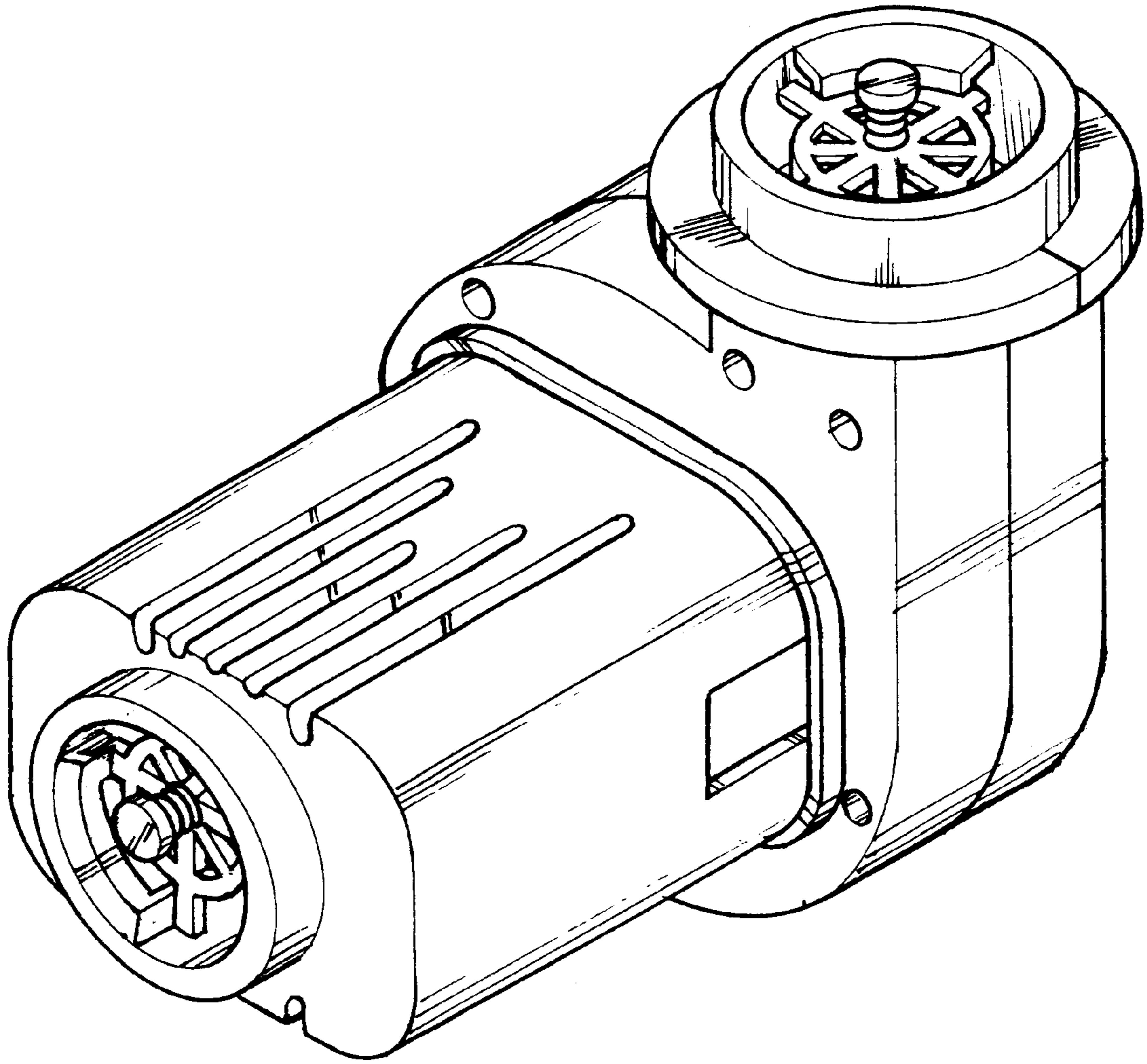


FIG. 1

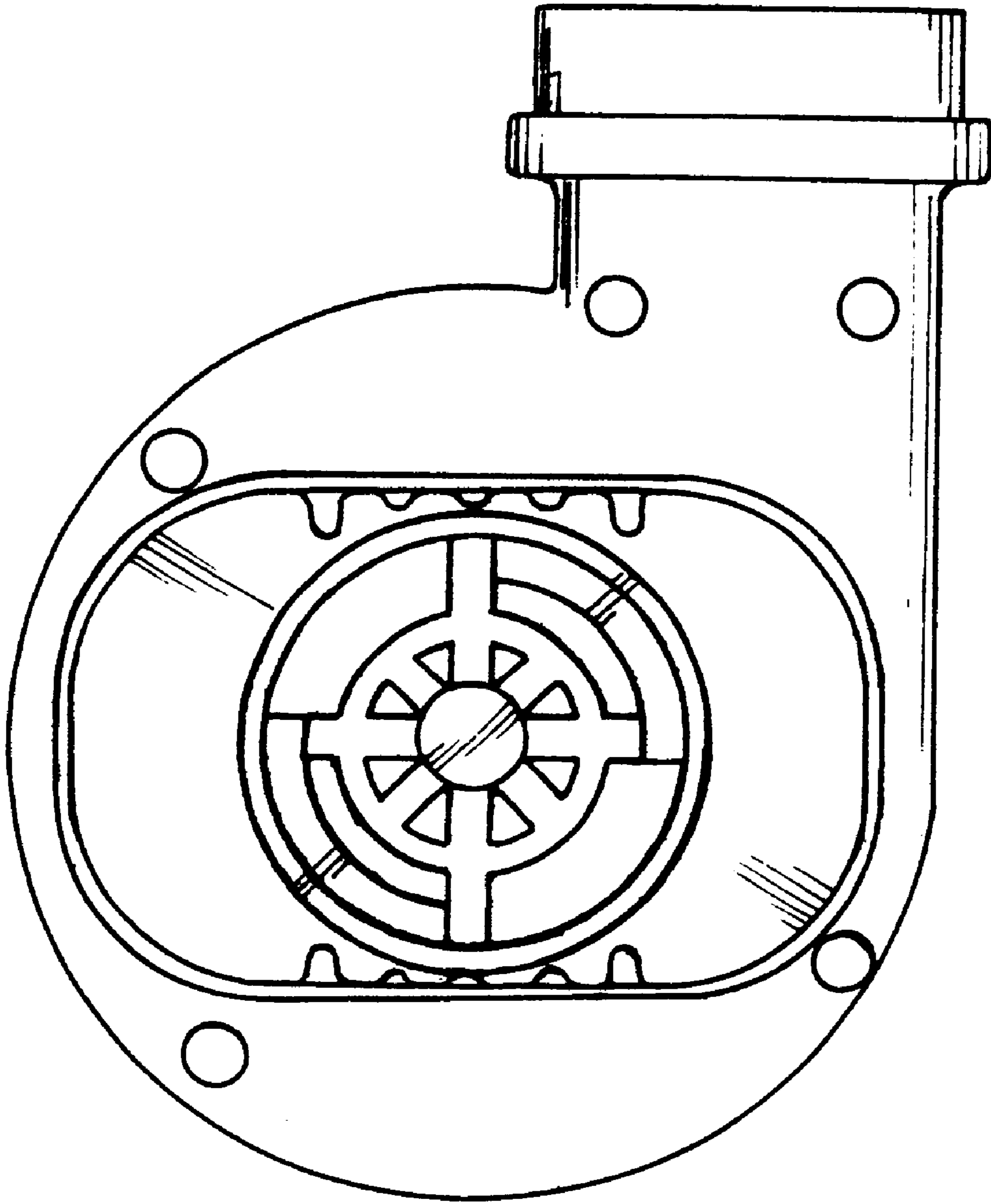
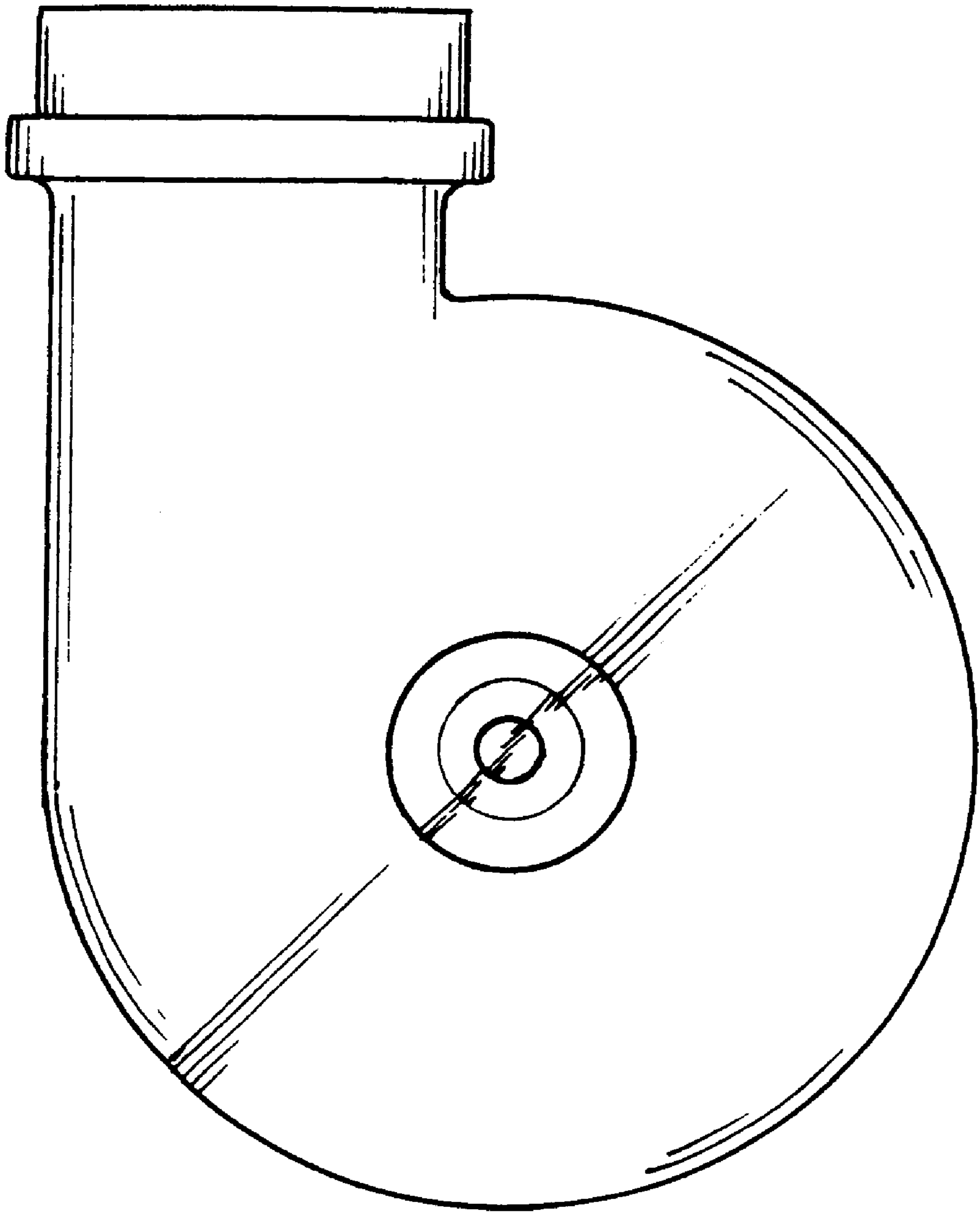
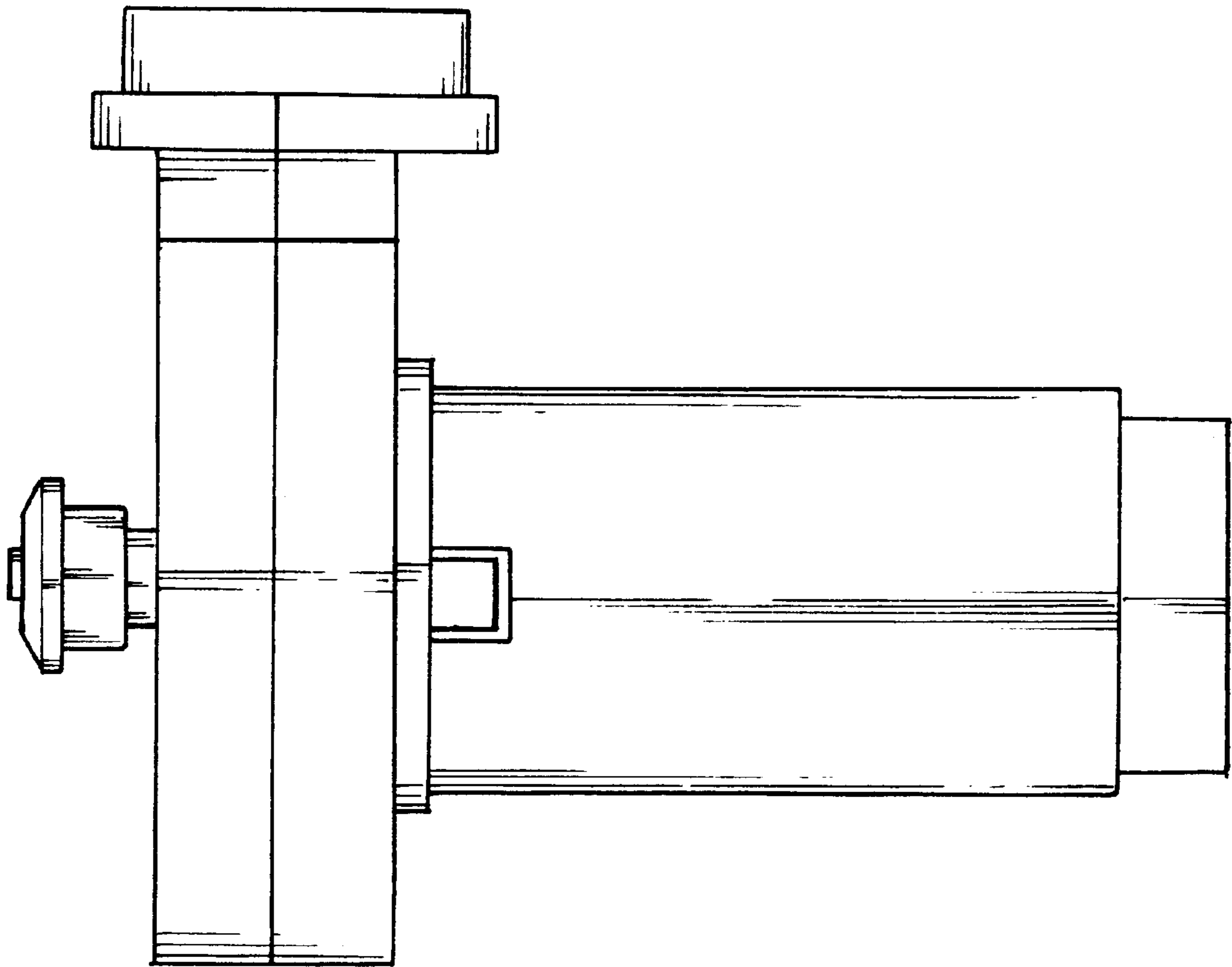


FIG. 2



**FIG. 3**



**FIG. 4**

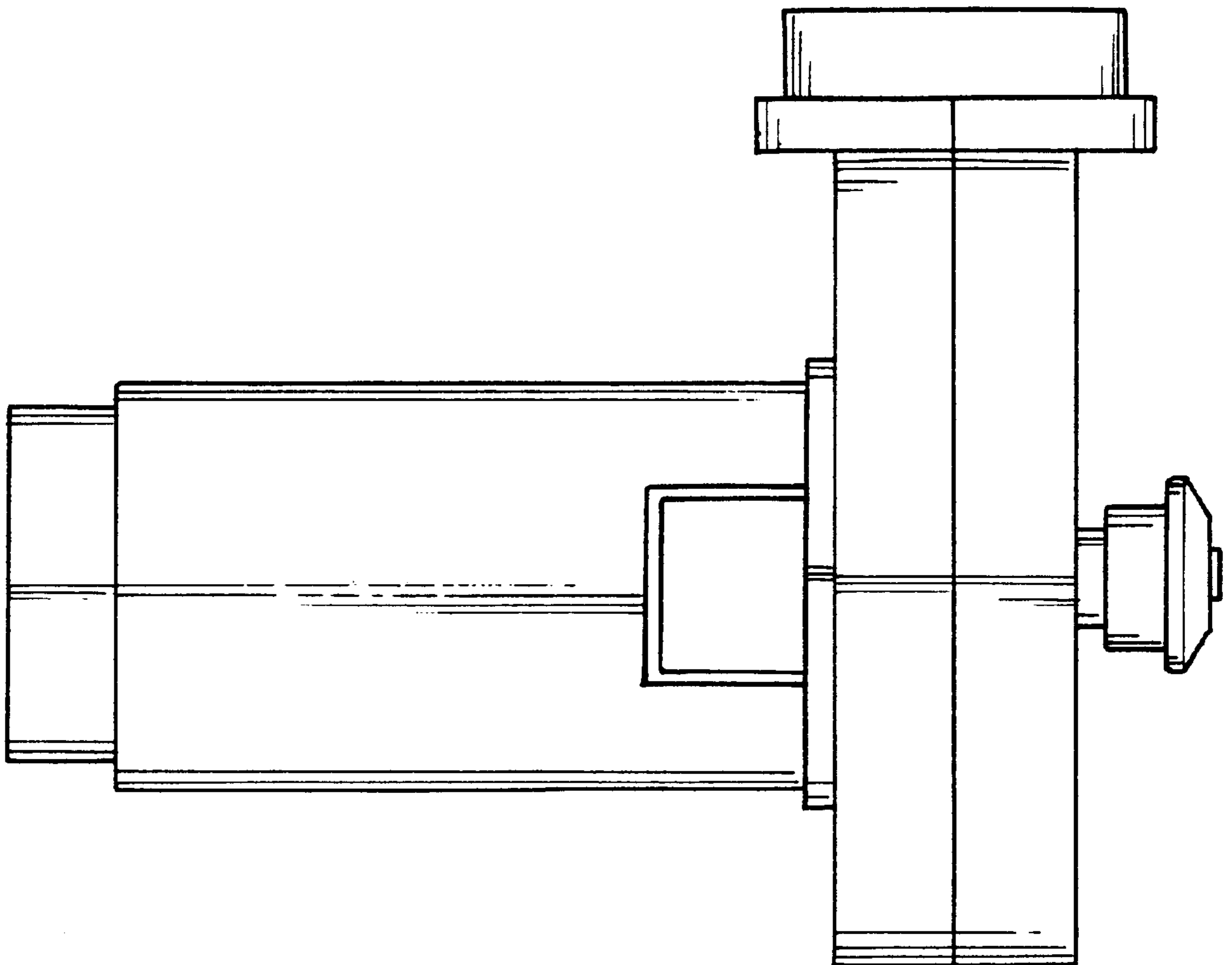


FIG. 5



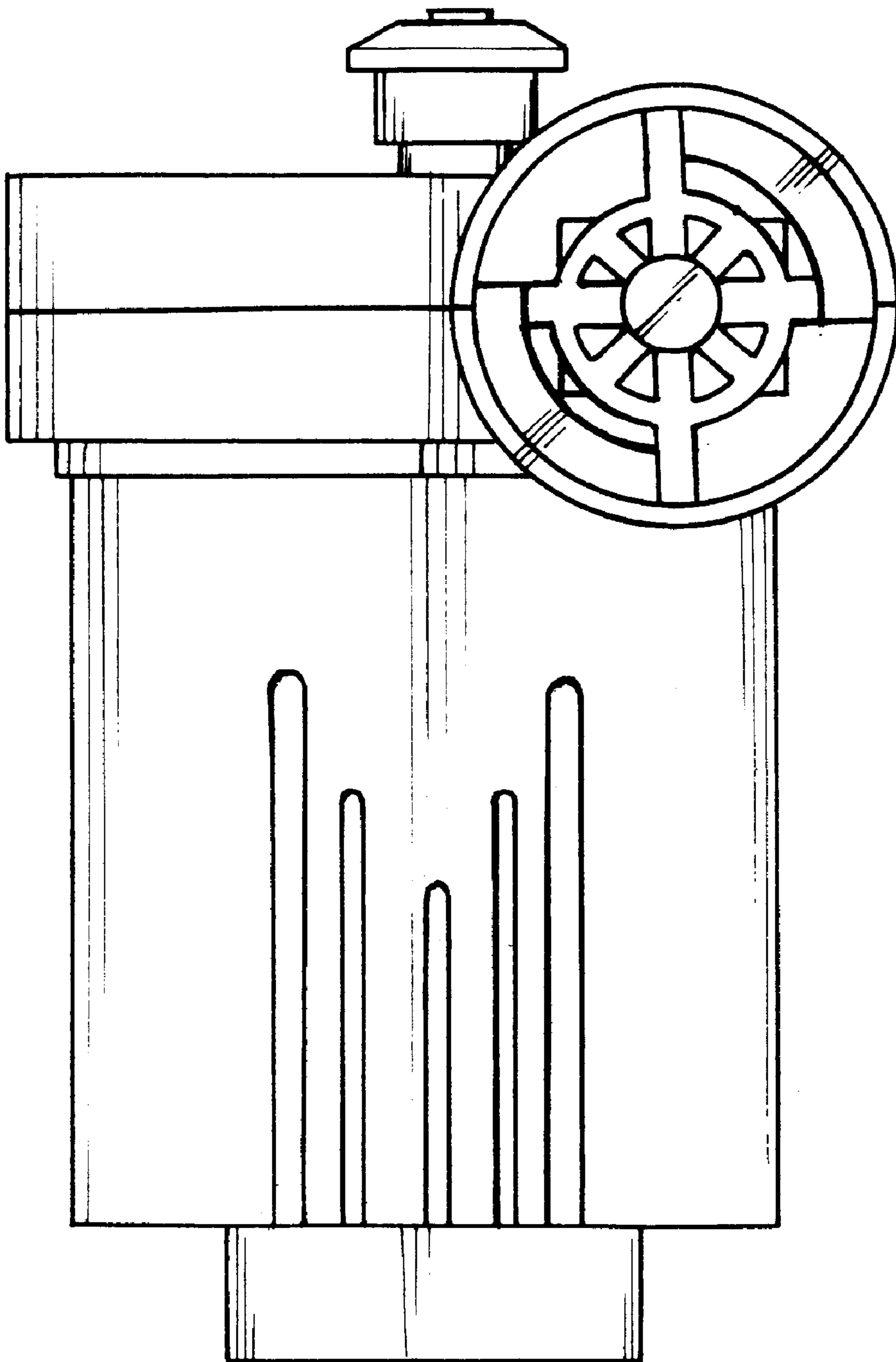


FIG. 6

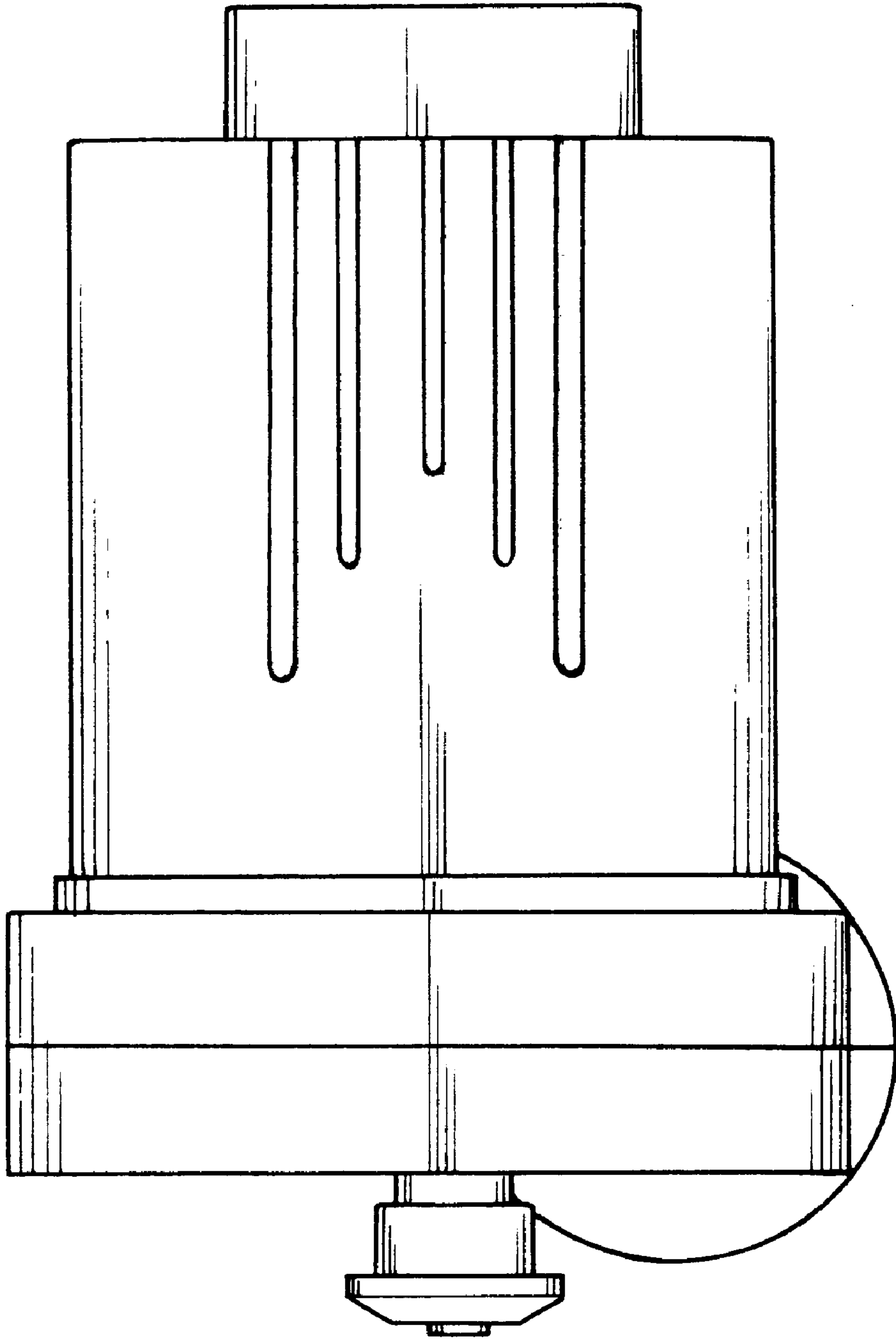


FIG. 7