



US00D455440S

(12) **United States Design Patent**
Yorulmazoglu et al.

(10) **Patent No.:** **US D455,440 S**

(45) **Date of Patent:** **** Apr. 9, 2002**

(54) **PUMP**

D435,049 S * 12/2000 Tsai D15/7

(75) Inventors: **Idil Yorulmazoglu**, Shorewood;
Richard Claypool Cameron, Delavan;
Ronald R. Dir; **Matthew G. Goulet**,
both of Racine, all of WI (US)

* cited by examiner

Primary Examiner—Ralf Seifert
(74) *Attorney, Agent, or Firm*—Michael Best & Friedrich
LLP

(73) Assignee: **SHURflo Pump Manufacturing Co.,
Inc.**, Santa Ana, CA (US)

(57) **CLAIM**

The ornamental design for a pump, as shown and described.

(**) Term: **14 Years**

DESCRIPTION

(21) Appl. No.: **29/133,660**

FIG. 1 is a perspective view of a pump constructed in accordance with one preferred embodiment of the present invention;

(22) Filed: **Dec. 1, 2000**

FIG. 2 is an elevational view of the front of the pump shown in FIG. 1;

(51) **LOC (7) Cl.** **15-02**

(52) **U.S. Cl.** **D15/7**

(58) **Field of Search** D15/7-9; 138/33;
417/360, 321, 234-235, 368, 48, 424, 572;
221/61; 137/208; 285/24, 156, 8, 148.13,
41, 61, 155, 292

FIG. 3 is an elevational view of the rear of the pump shown in FIGS. 1 and 2;

FIG. 4 is a top plan view of the pump shown in FIGS. 1-3;
FIG. 5 is a bottom plan view of the pump shown in FIGS. 1-4;

(56) **References Cited**

U.S. PATENT DOCUMENTS

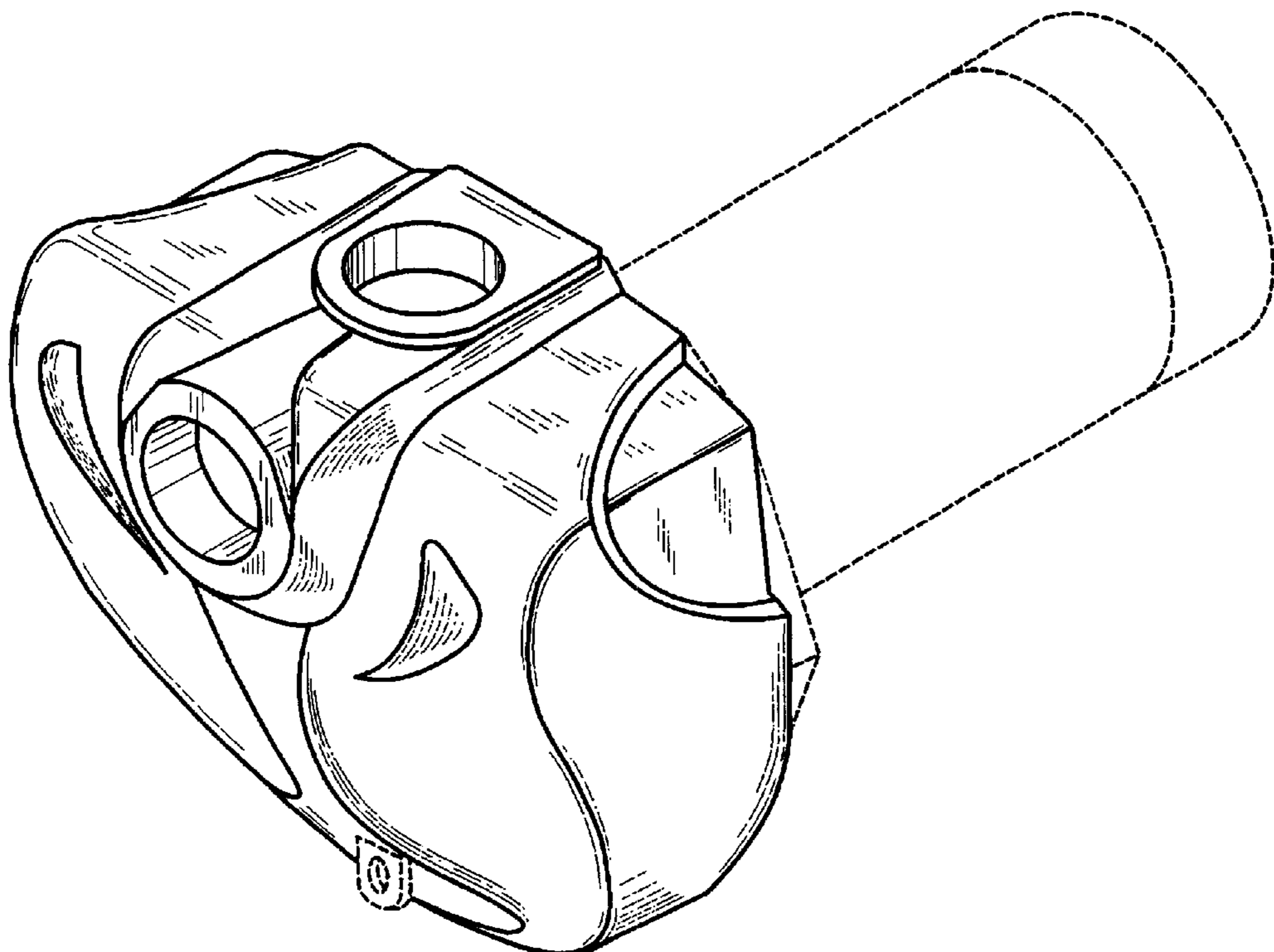
- D315,911 S * 4/1991 Campbell D15/7
- D339,810 S * 9/1993 Hansen D15/7
- D384,674 S * 10/1997 Grolle et al. D15/7
- D407,411 S * 3/1999 Chalberg et al. D15/7
- D419,567 S * 1/2000 Weiss D15/7

FIG. 6 is an elevational view of the right side of the pump shown in FIGS. 1-5; and,

FIG. 7 is an elevational view of the left side of the pump shown in FIGS. 1-6.

It being understood that the broken lines are for illustrative purposes only.

1 Claim, 4 Drawing Sheets



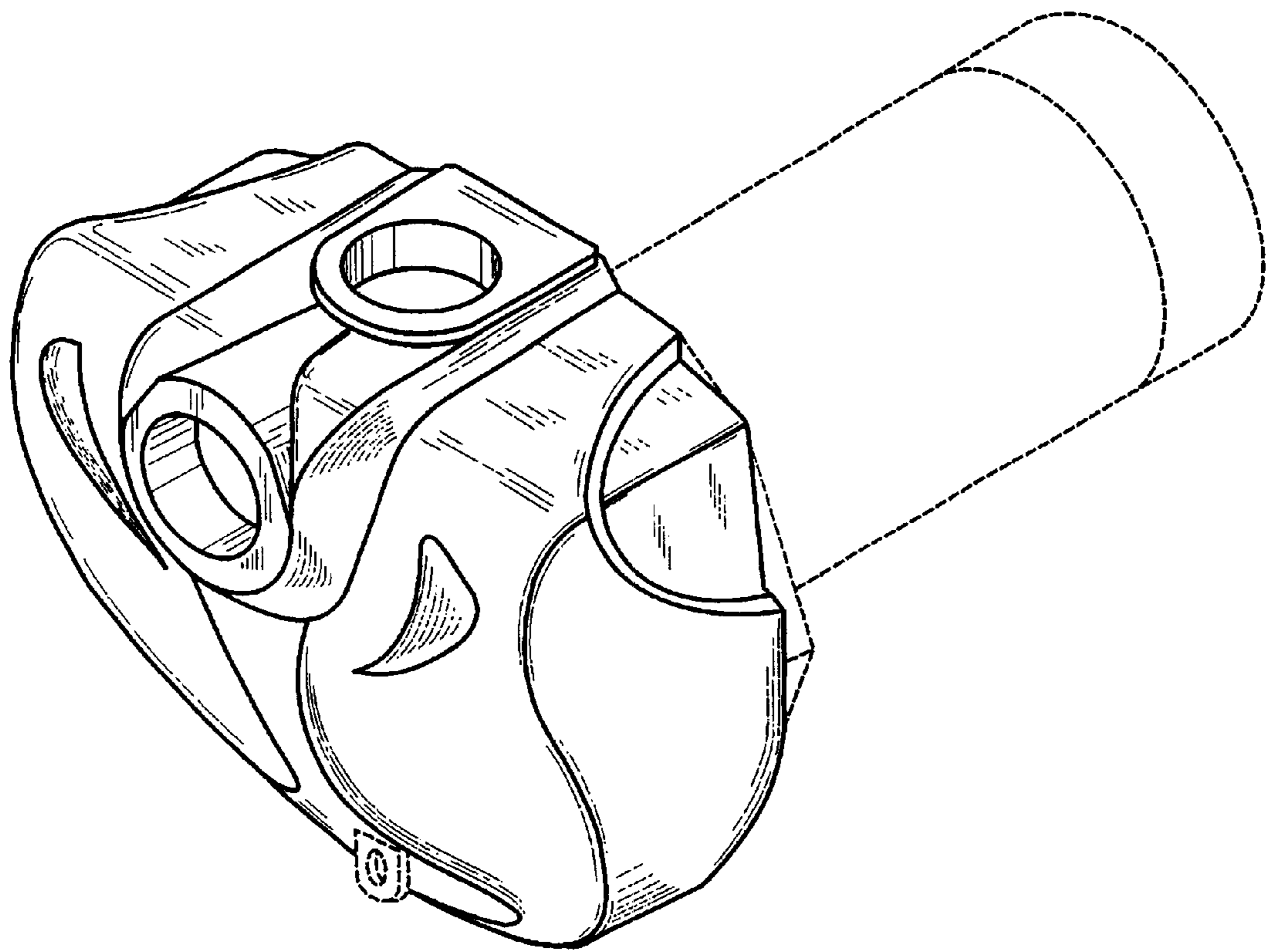


FIG. 1

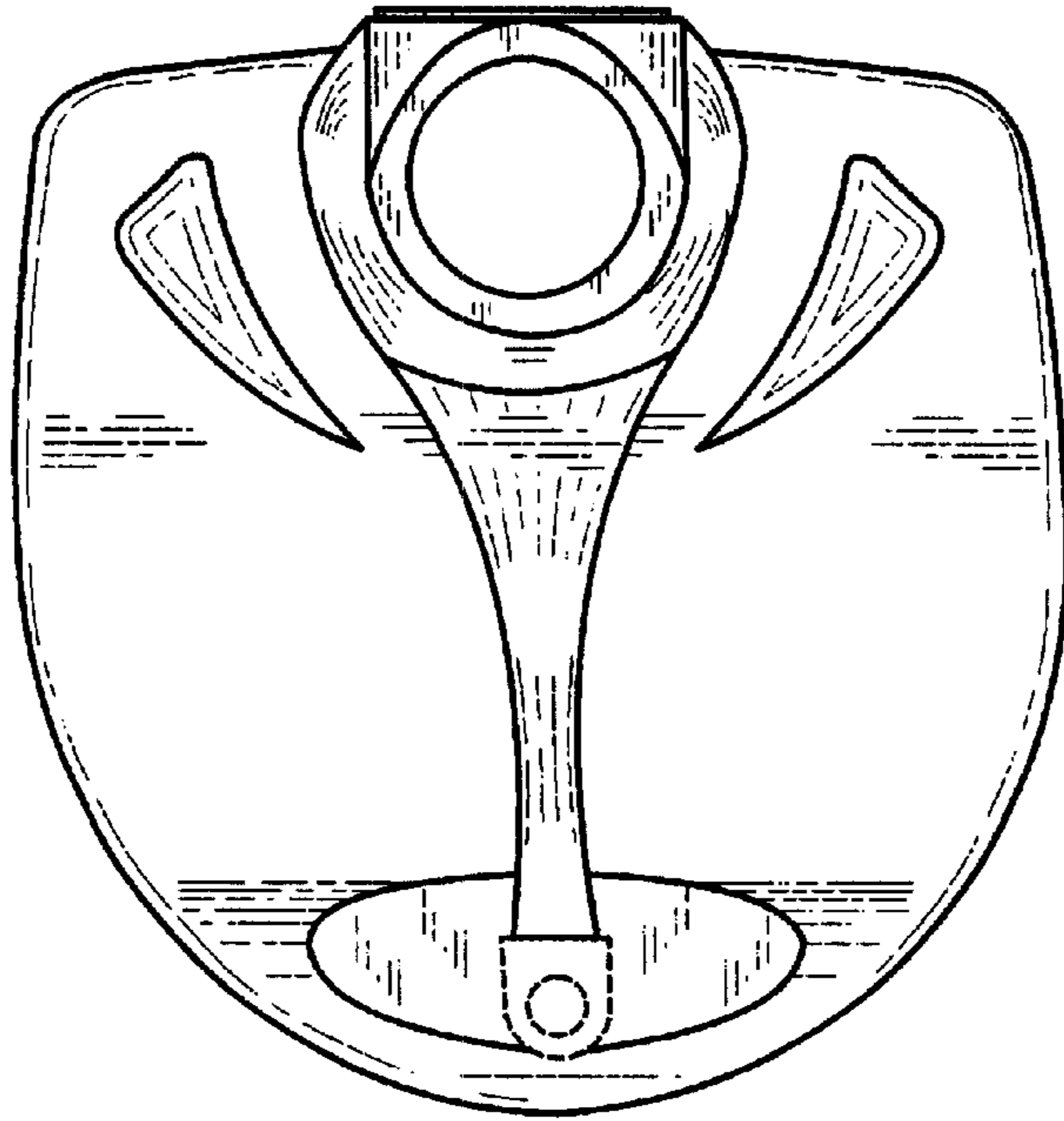


FIG. 2

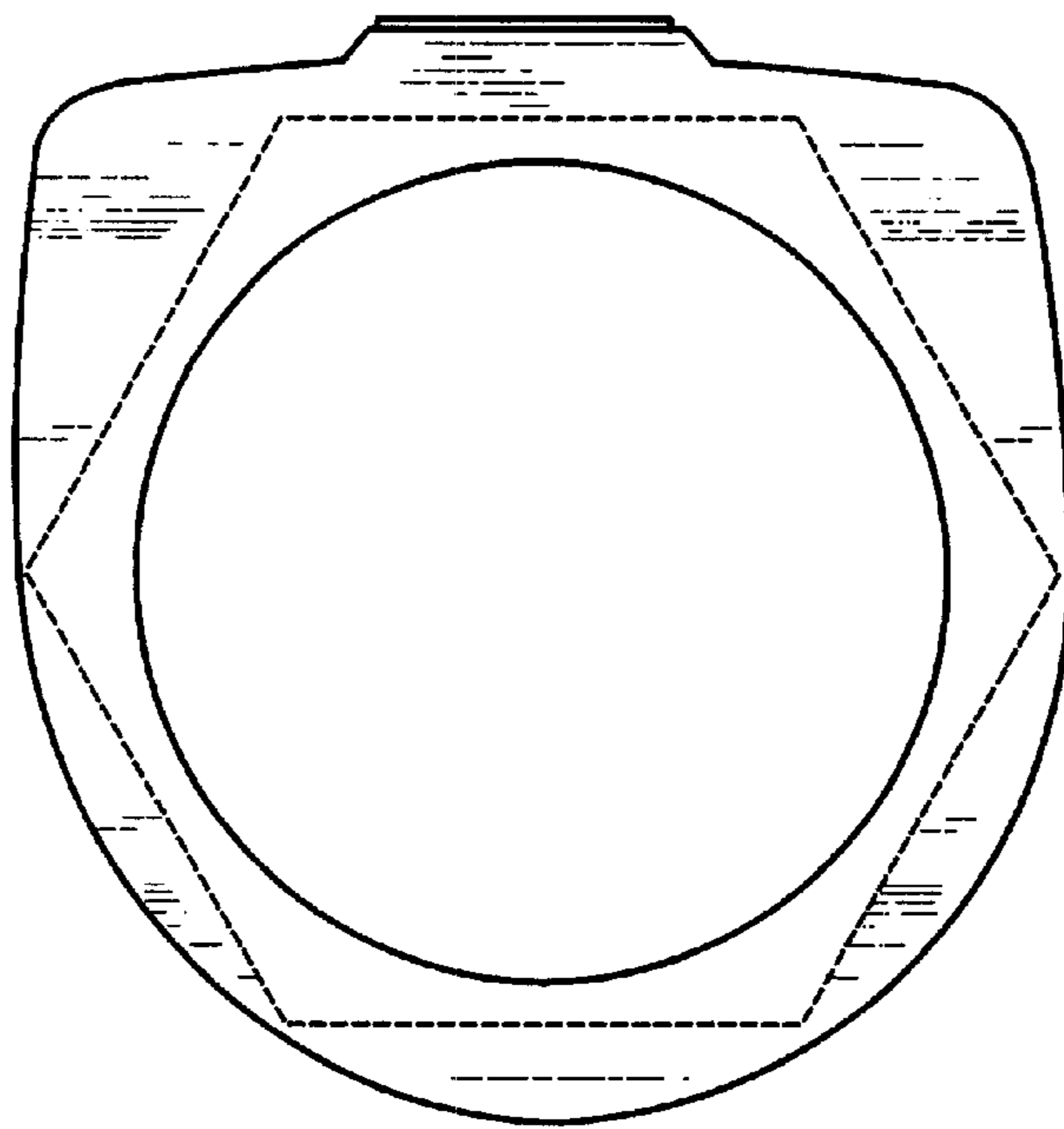


FIG. 3

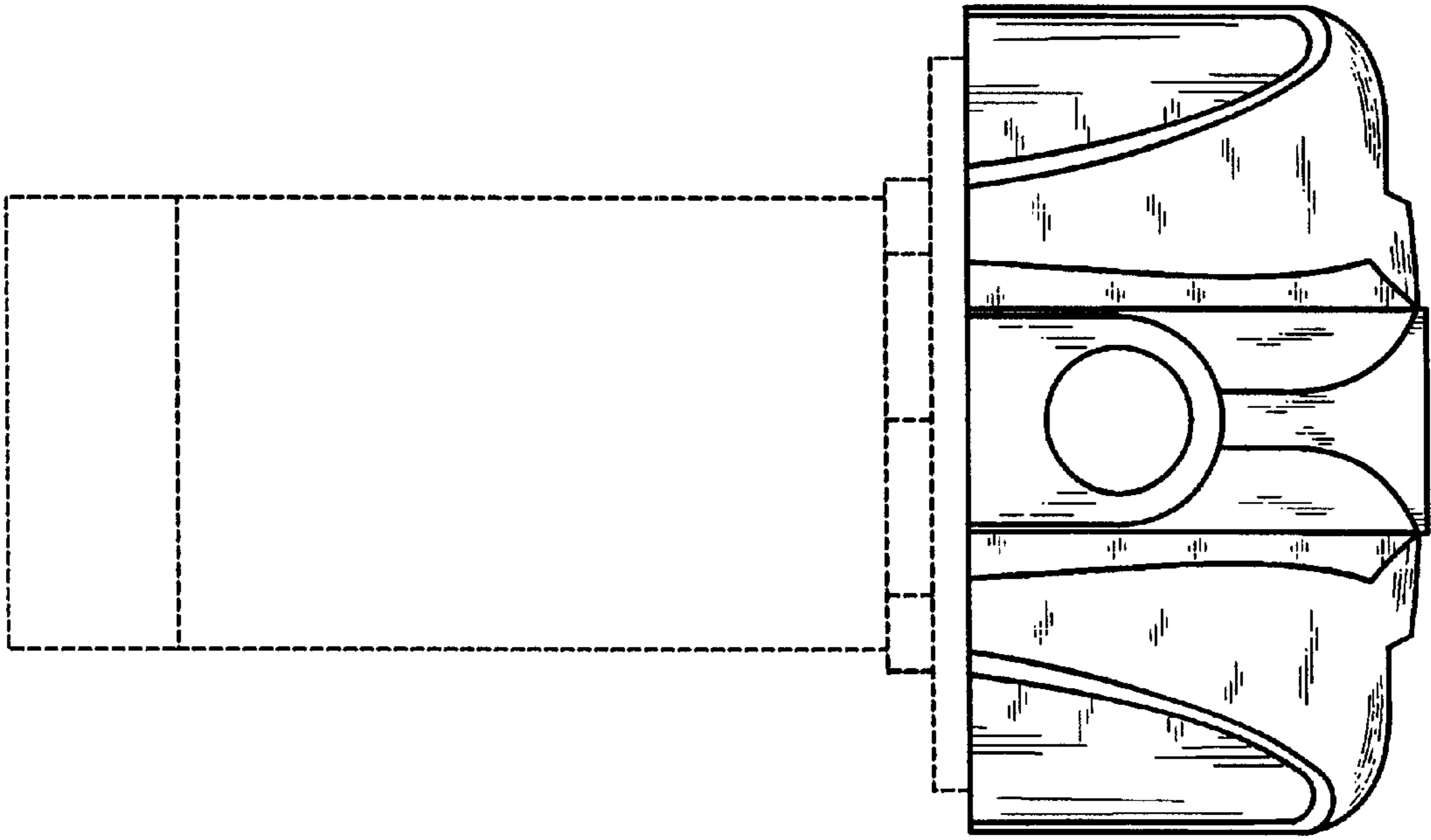


FIG. 4

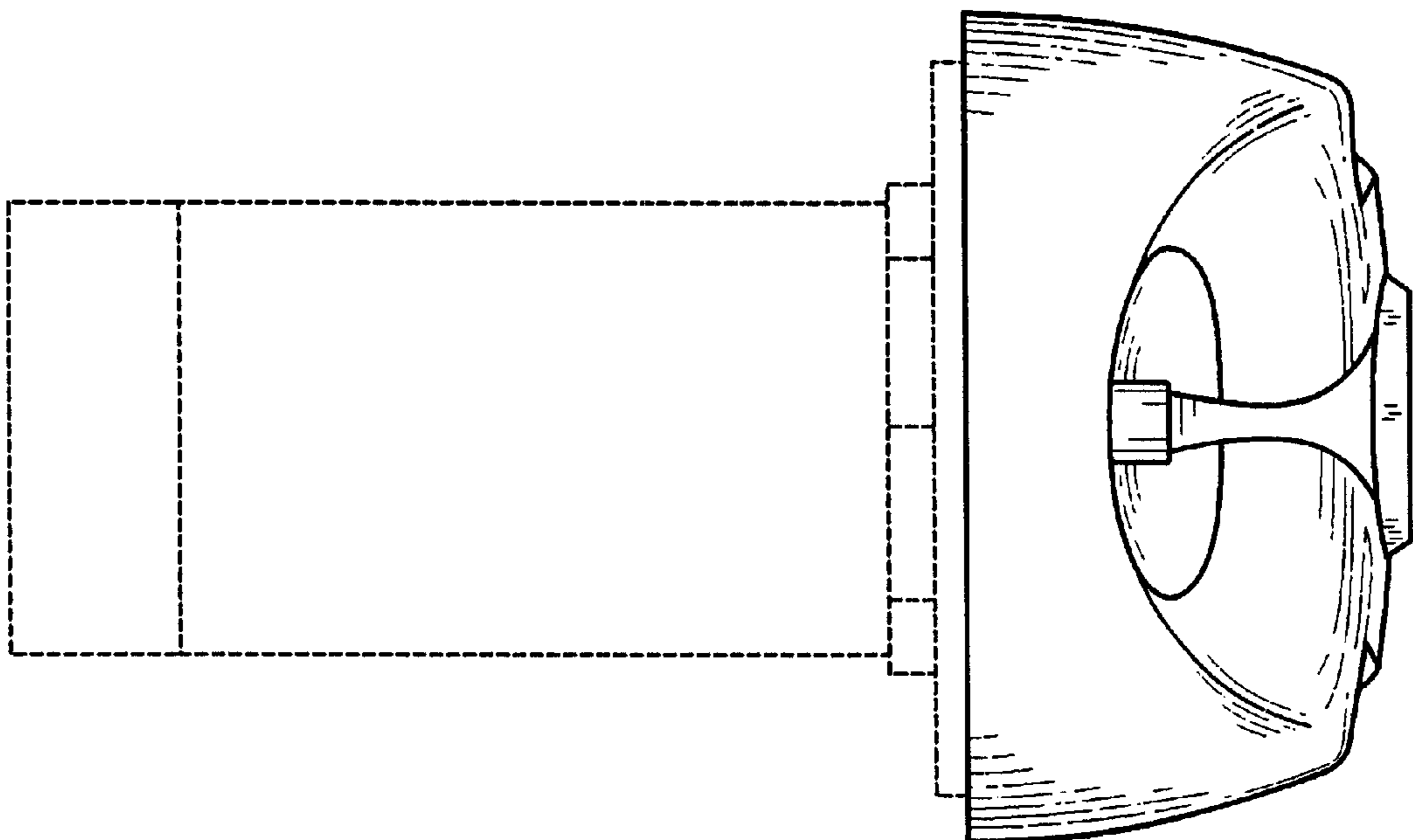


FIG. 5

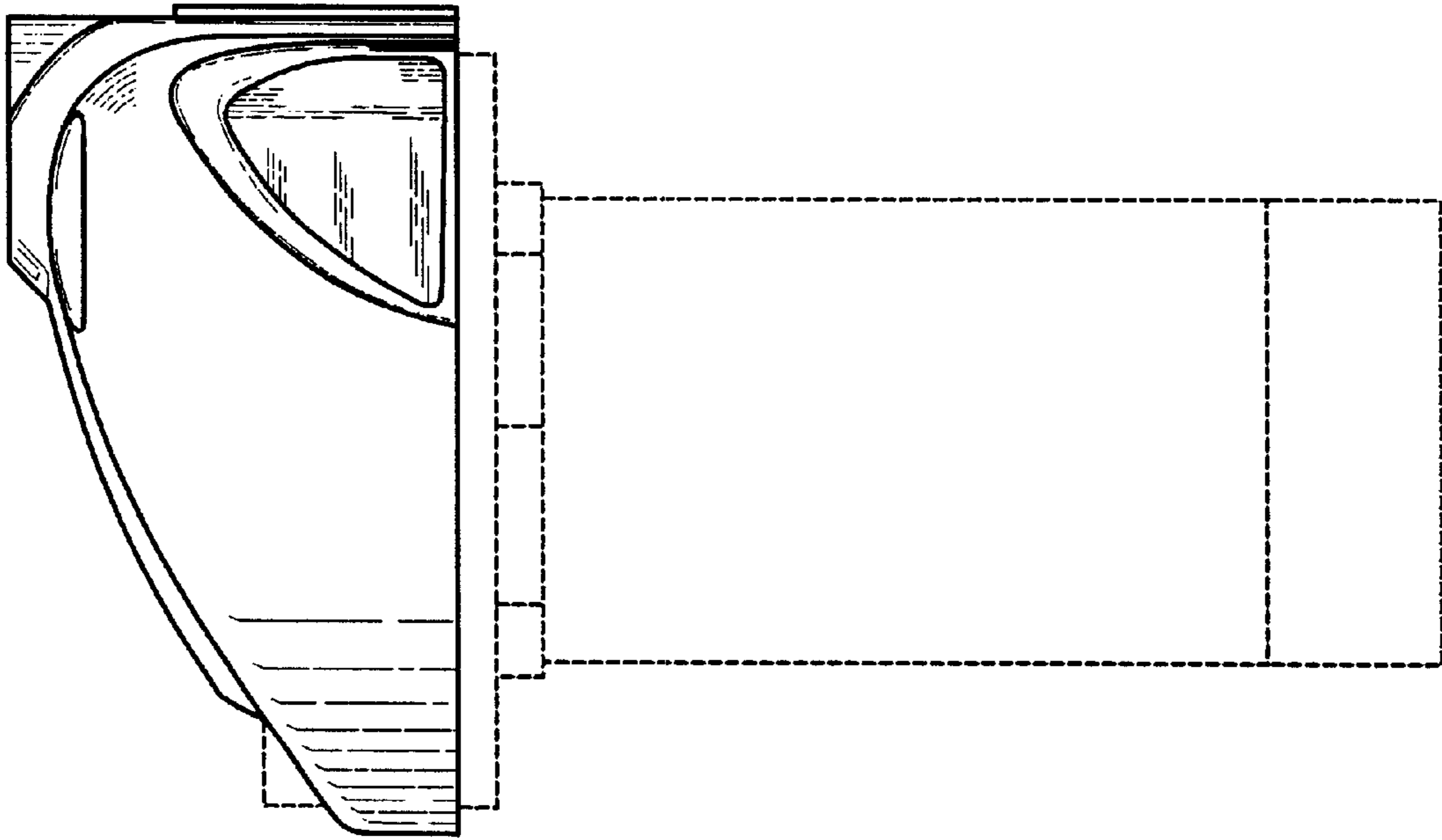


FIG. 6

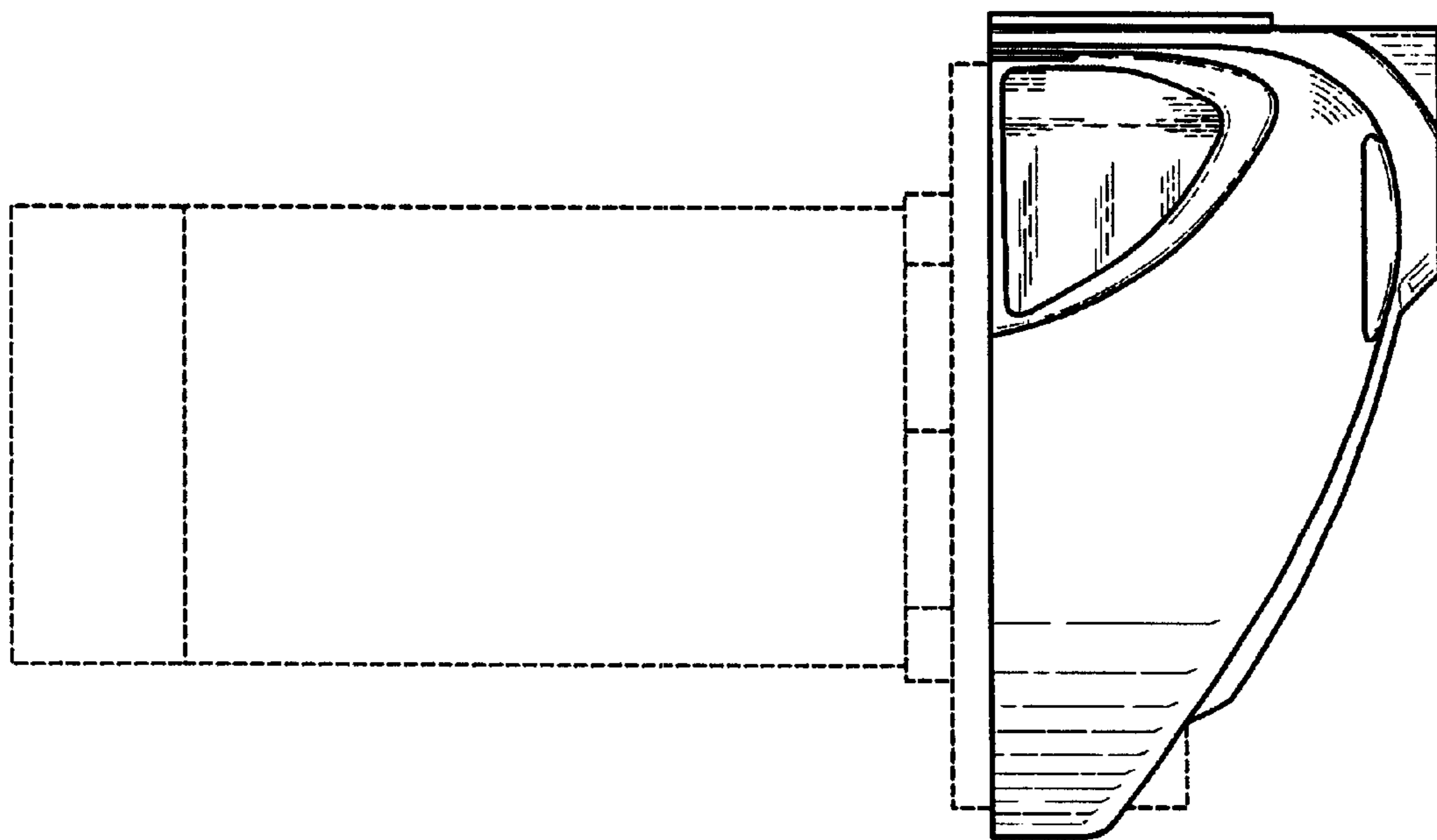


FIG. 7