



US00D455431S

(12) **United States Design Patent**  
**Freitag et al.**

(10) **Patent No.:** **US D455,431 S**

(45) **Date of Patent:** **\*\* Apr. 9, 2002**

(54) **CONNECTOR PORT FOR A PORTABLE COMPUTER**

D430,882 S \* 9/2000 Tsai

\* cited by examiner

(75) Inventors: **Stefan Freitag**, Muenster; **Stefan Grosspietsch**, Barntrup; **Christian Rogge**, Gaertringen; **James Whittaker**, Boeblingen, all of (DE)

*Primary Examiner*—Kay H. Chin

(74) *Attorney, Agent, or Firm*—James J. Ralabate

(73) Assignee: **Xybernaut Corporation**, Fairfax, VA (US)

(57) **CLAIM**

The ornamental design for a connector port for a portable computer, as shown and described.

(\*\*) Term: **14 Years**

**DESCRIPTION**

(21) Appl. No.: **29/148,674**

FIG. 1 is a rear perspective view of our new design for a connector port for a portable computer.

(22) Filed: **Sep. 25, 2001**

FIG. 2 is a front perspective view of our new design for a connector port for a portable computer.

(51) **LOC (7) Cl.** ..... **14-02**

FIG. 3 is a top plan view of our new design for a connector port for a portable computer.

(52) **U.S. Cl.** ..... **D14/433; D14/432**

FIG. 4 is a side plan view of our new design for a connector port for a portable computer.

(58) **Field of Search** ..... D14/434, 432, D14/433, 300, 356, 357; 361/679, 687; 200/5 R, 5 A, 6 R, 6 A; 364/708.1; D13/184, 199, 101, 123, 124

FIG. 5 is a side plan view of our new design for a connector port for a portable computer.

(56) **References Cited**

FIG. 6 is a front plan view of our new design for a connector port for a portable computer; and,

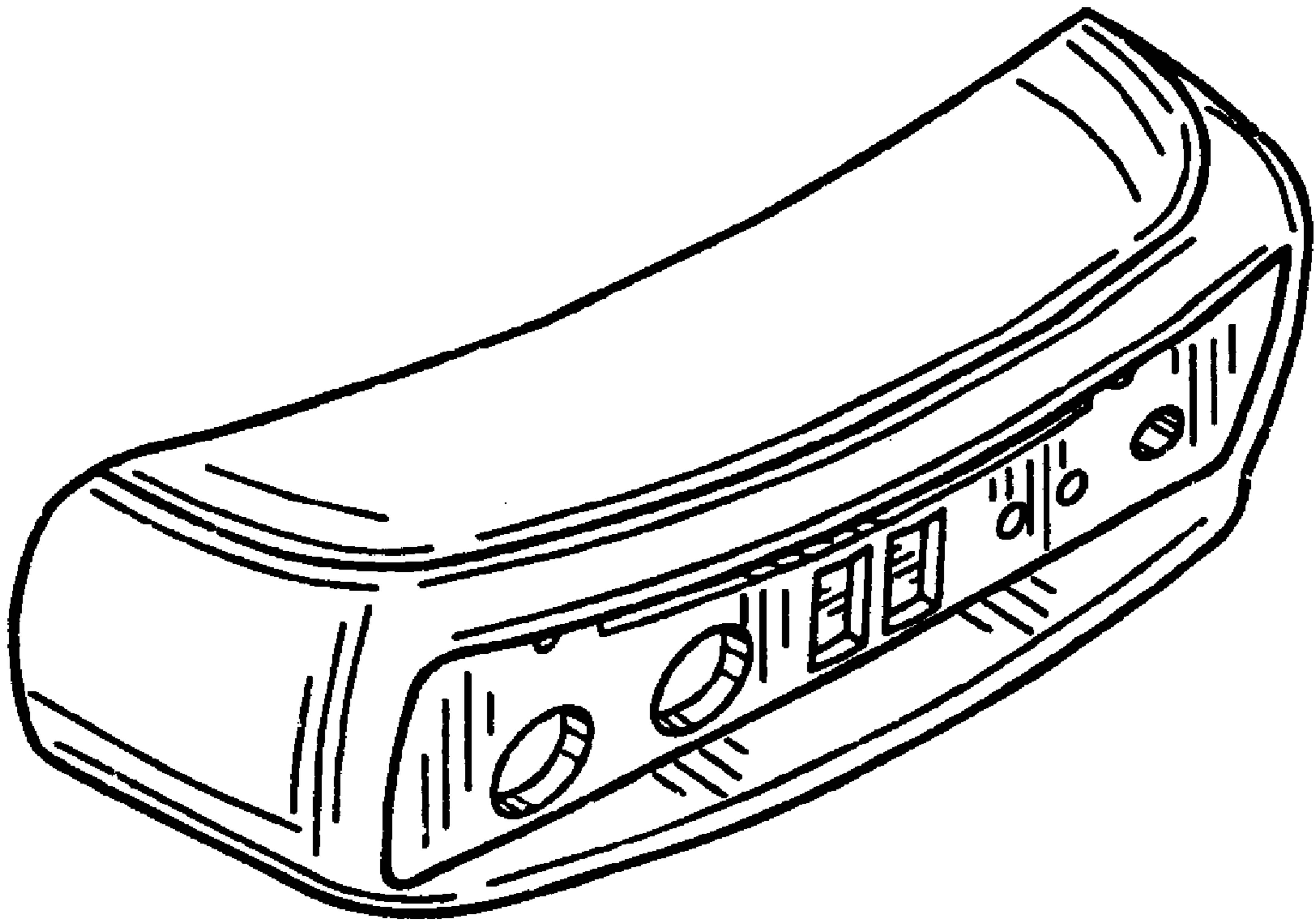
**U.S. PATENT DOCUMENTS**

FIG. 7 is a rear plan view of our new design for a connector port for a portable computer.

D318,466 S \* 7/1991 Grundstrom et al. .... D14/434

D405,064 S \* 2/1999 Lino ..... D14/434

**1 Claim, 2 Drawing Sheets**



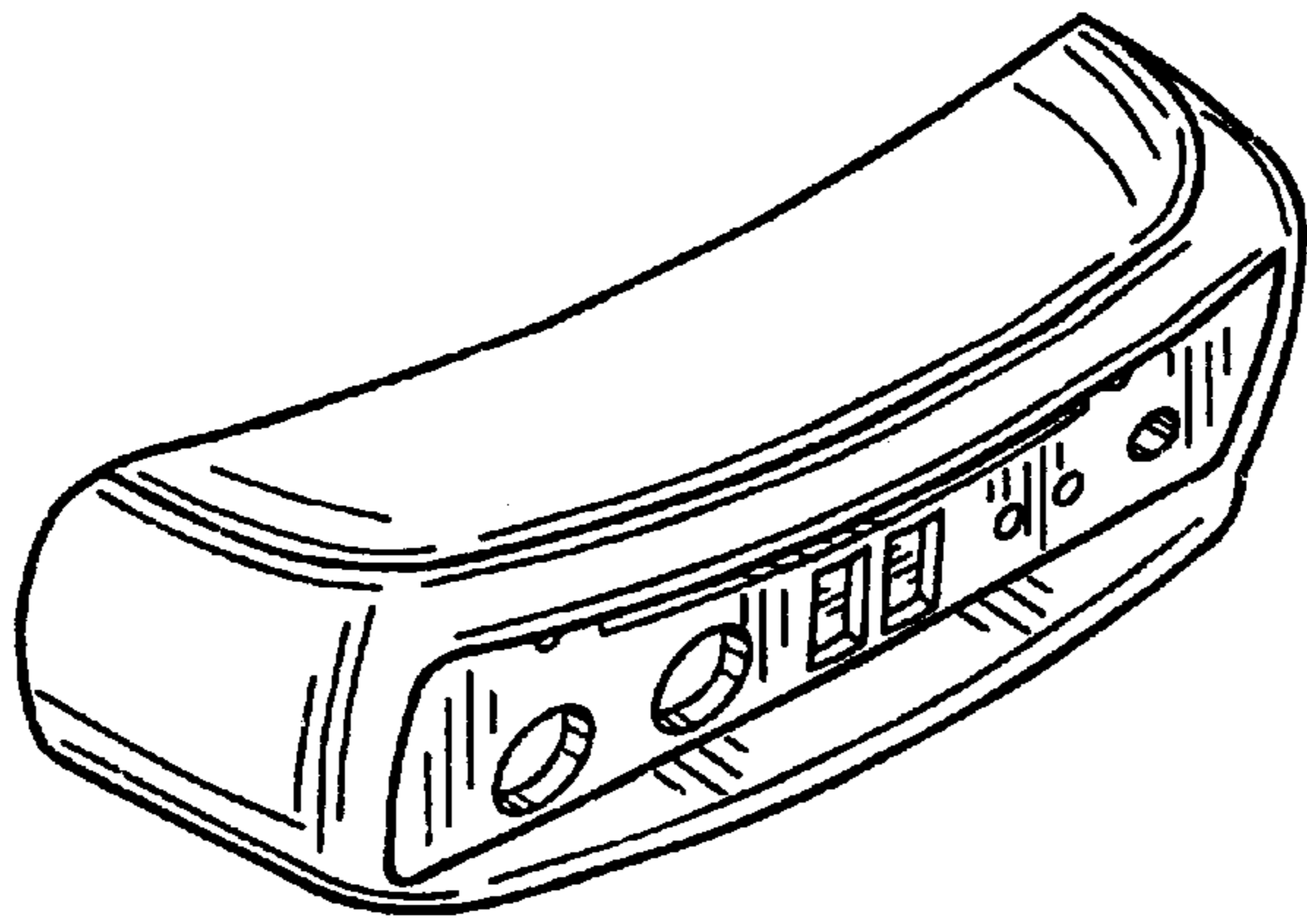


FIG. 1

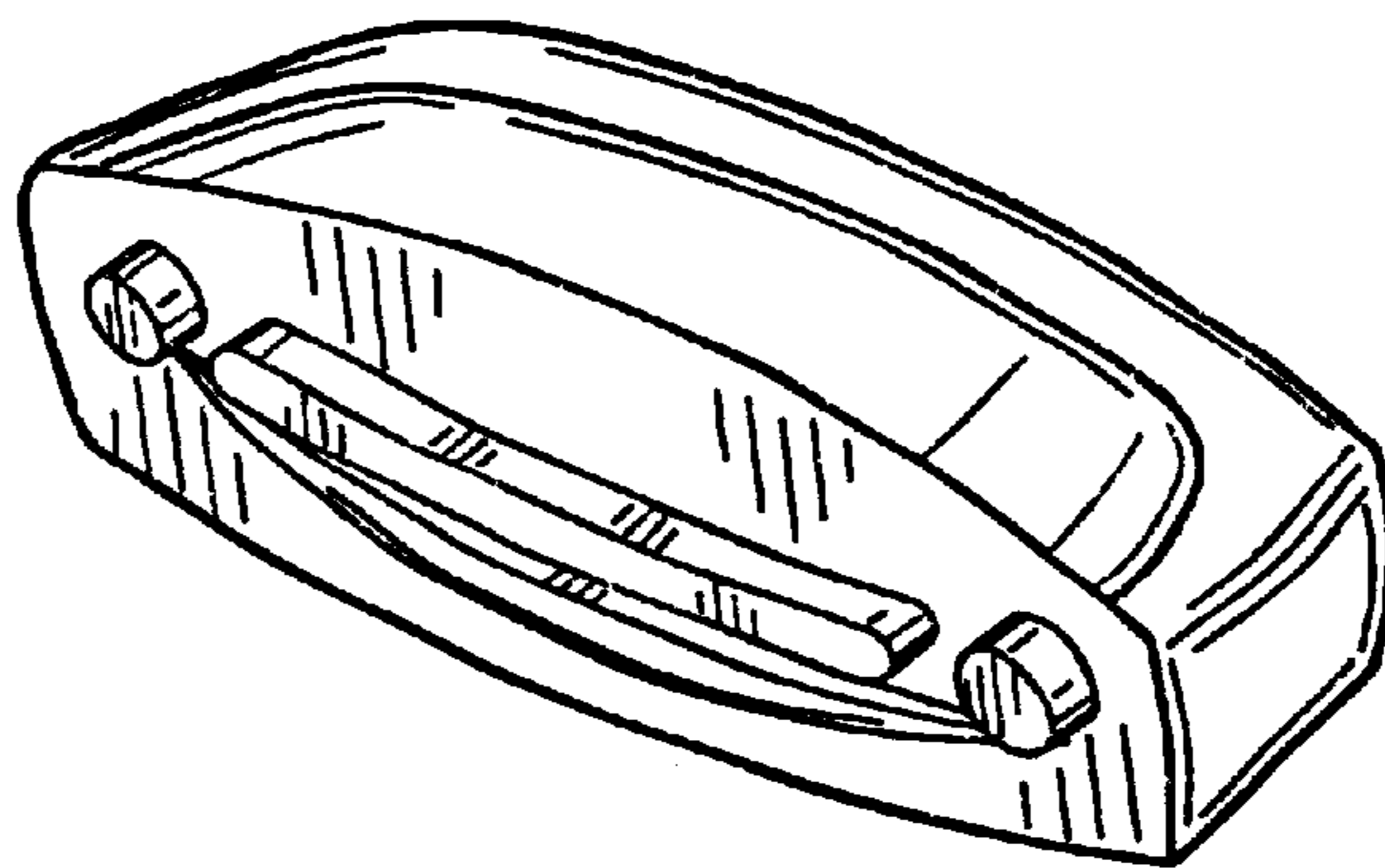


FIG. 2

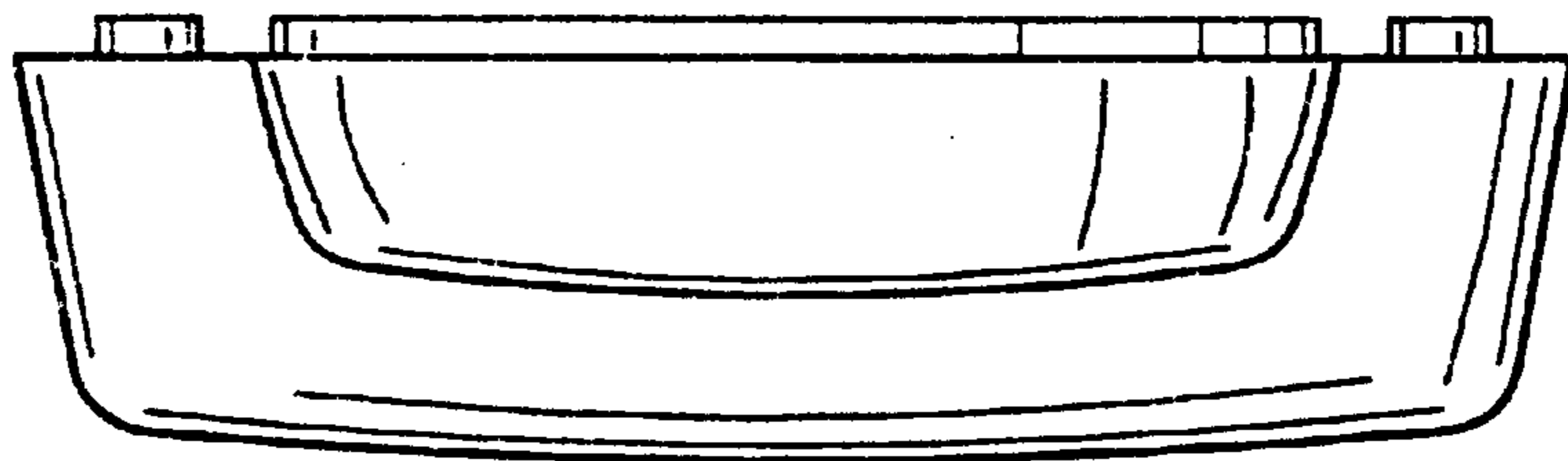


FIG. 3

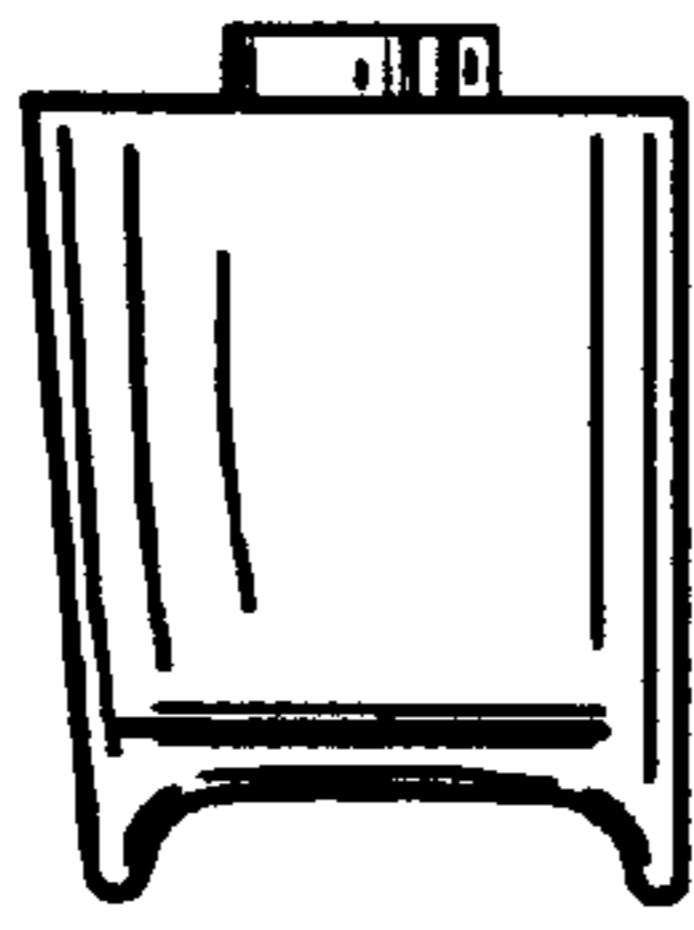


FIG. 4

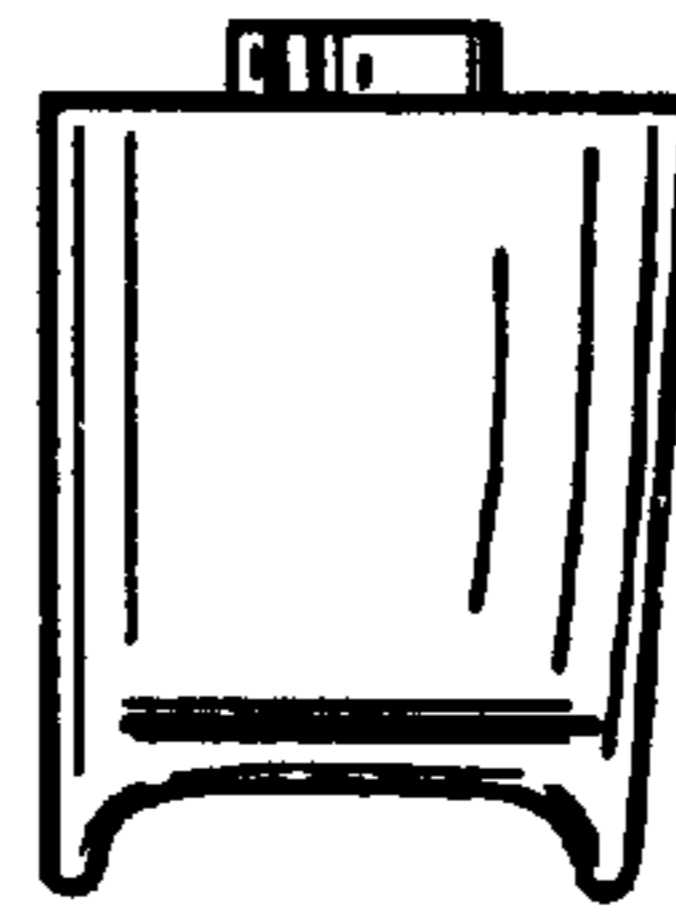


FIG. 5

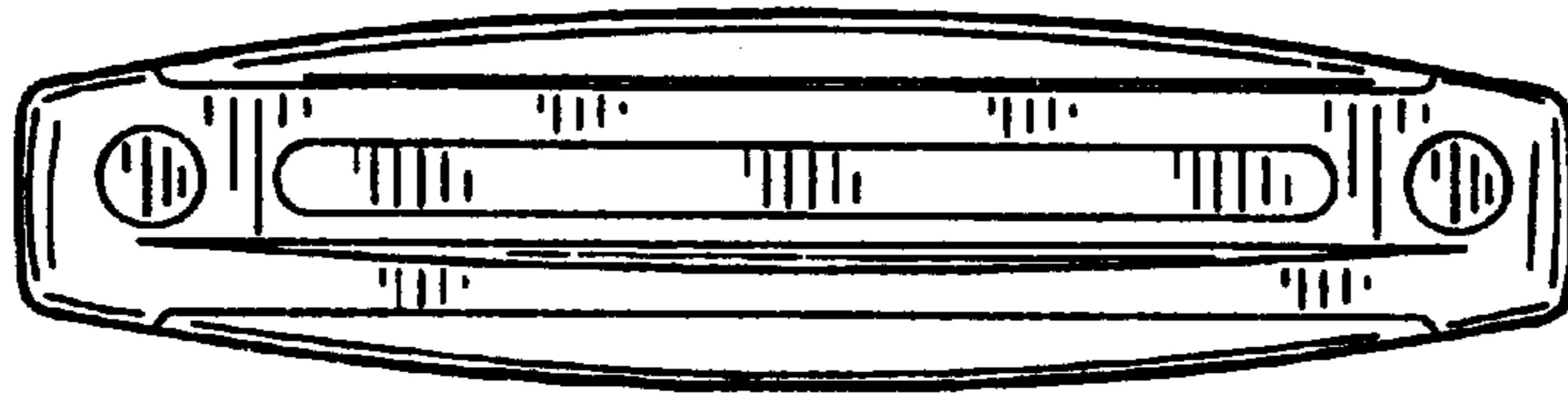


FIG. 6

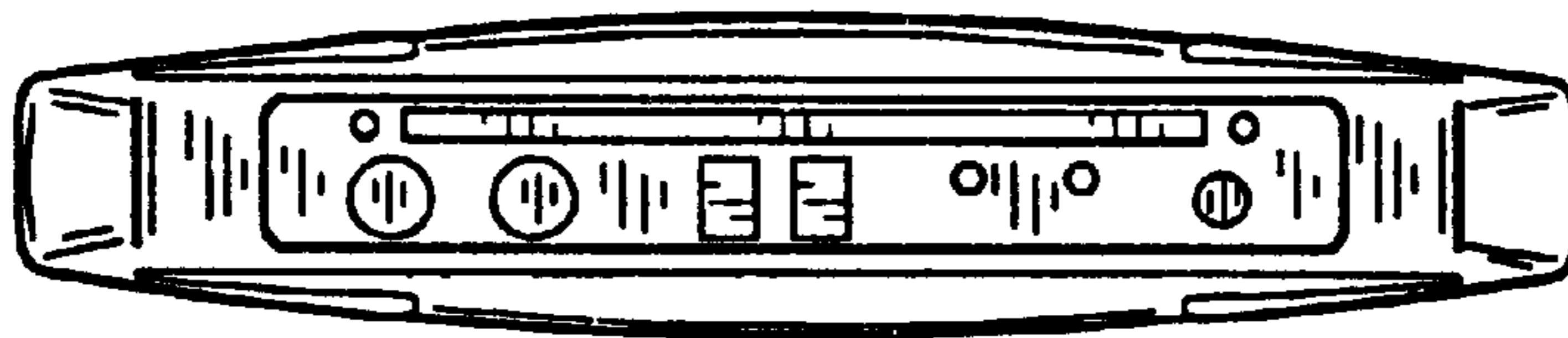


FIG. 7