



US00D455430S

(12) **United States Design Patent**  
**Krantz**

(10) **Patent No.:** **US D455,430 S**

(45) **Date of Patent:** **\*\* Apr. 9, 2002**

(54) **HAND-HELD SCANNING TOOL**

(75) Inventor: **Norman L. Krantz**, San Jose, CA (US)

(73) Assignee: **Zircon Corporation**, Campbell, CA (US)

(\*\*) Term: **14 Years**

(21) Appl. No.: **29/127,718**

(22) Filed: **Aug. 10, 2000**

(51) **LOC (7) Cl.** ..... **14-02**

(52) **U.S. Cl.** ..... **D14/426**

(58) **Field of Search** ..... D14/420-31; D19/41-51;  
235/375, 378, 385, 454, 486, 462.15, 472.02;  
382/312-15, 318-19, 321; 250/203.1, 216,  
566; D26/37, 45, 50

(56) **References Cited**

**U.S. PATENT DOCUMENTS**

- D340,450 S \* 10/1993 Tso
- D342,490 S \* 12/1993 Tzu-chin
- D353,134 S \* 12/1994 Etoh
- D358,386 S \* 5/1995 McVicar et al.
- D414,760 S \* 10/1999 Hetfield et al.
- D417,445 S \* 12/1999 Chacon et al.
- D419,545 S \* 1/2000 Krantz
- D419,546 S 1/2000 Krantz et al.

**OTHER PUBLICATIONS**

Stanley "Stud Edge" Scanning Tool (4 pages), on sale before Aug. 13, 1998.

National Model EZ380B Scanning Tool (5 pages), on sale before Aug. 13, 1998.

Tajima Model WSC-DX Scanning Tool (2 pages), on sale before Aug. 13, 1998.

Zircon, "Triscanner" Scanning Tool, (1 page), on sale before Aug. 10, 1999.

\* cited by examiner

*Primary Examiner*—M. H. Tung

(74) *Attorney, Agent, or Firm*—SAIDMAN DesignLaw Group

(57) **CLAIM**

The ornamental design for a hand-held scanning tool, as shown and described.

**DESCRIPTION**

FIG. 1 is a perspective view of a hand-held scanning tool showing my new design;

FIG. 2 is a top view thereof;

FIG. 3 is a left side view thereof;

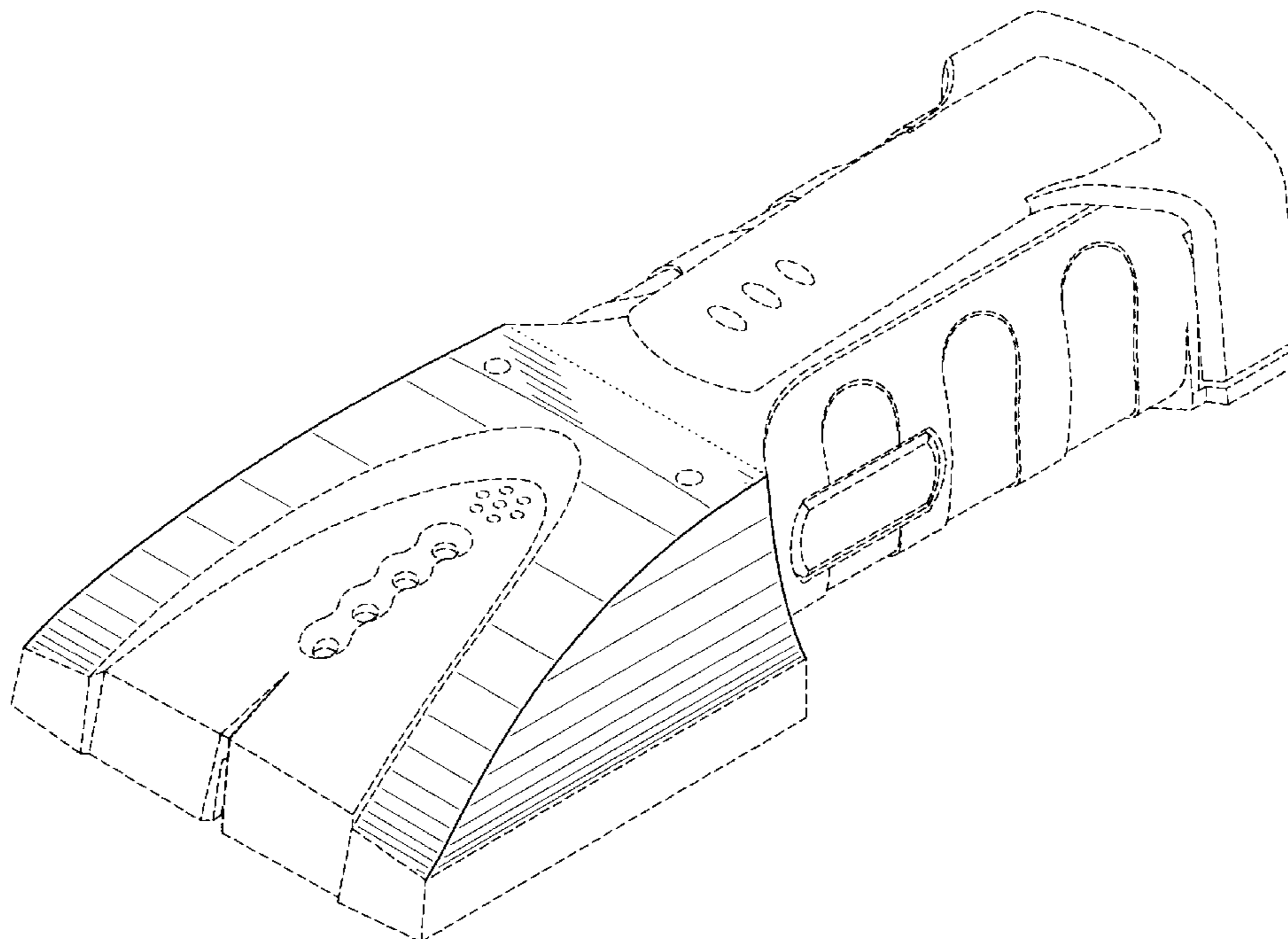
FIG. 4 is a right side view thereof;

FIG. 5 is a front view thereof; and,

FIG. 6 is a rear view thereof.

The bottom view has been omitted and forms no part of the claimed design. The broken lines shown in FIGS. 1-6 represent environmental subject matter and form no part of the claimed design. The dotted lines shown in FIGS. 1 and 2 represent the boundaries of the claimed subject matter and form no part of the claimed design.

**1 Claim, 4 Drawing Sheets**



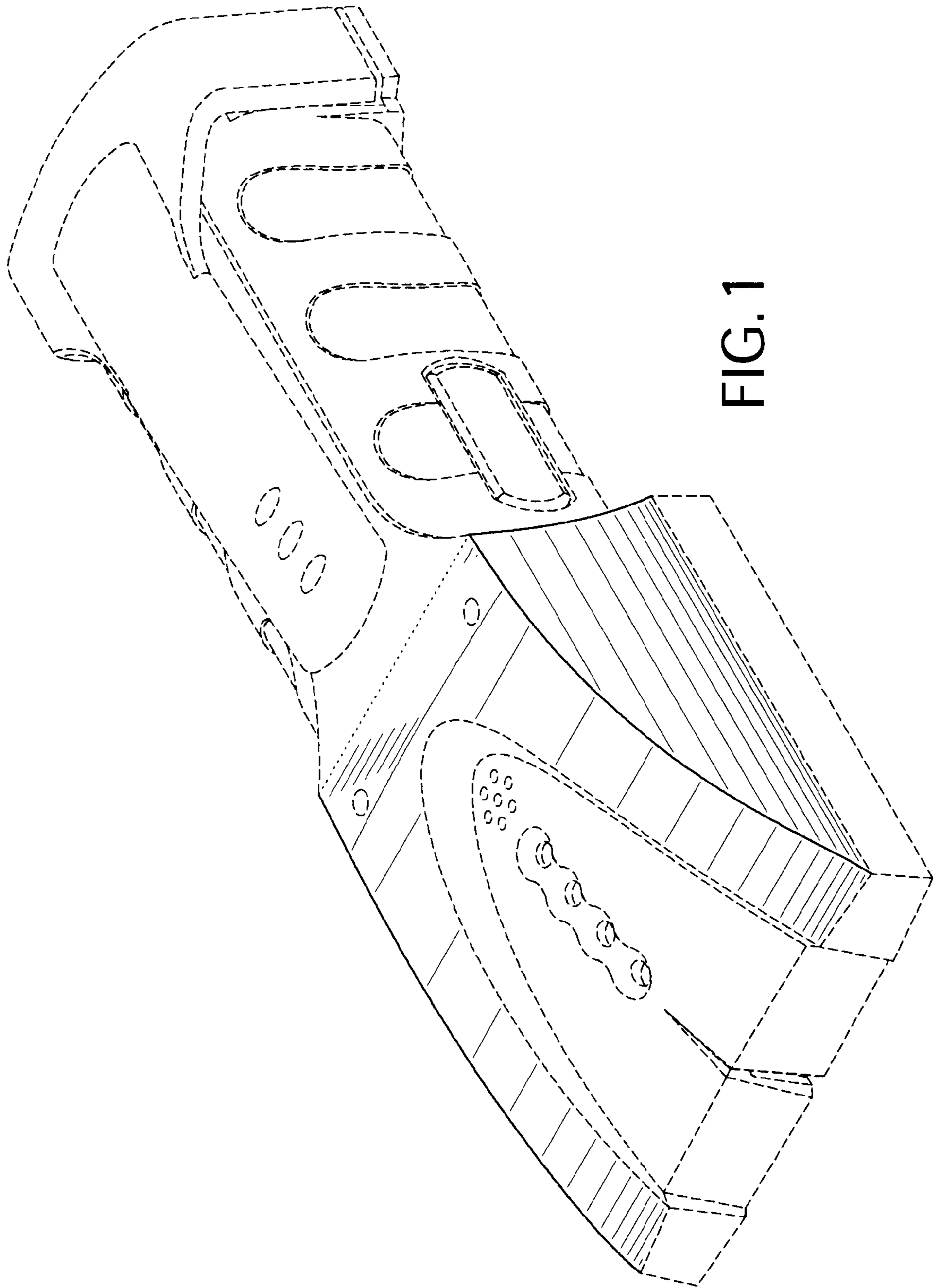


FIG. 1

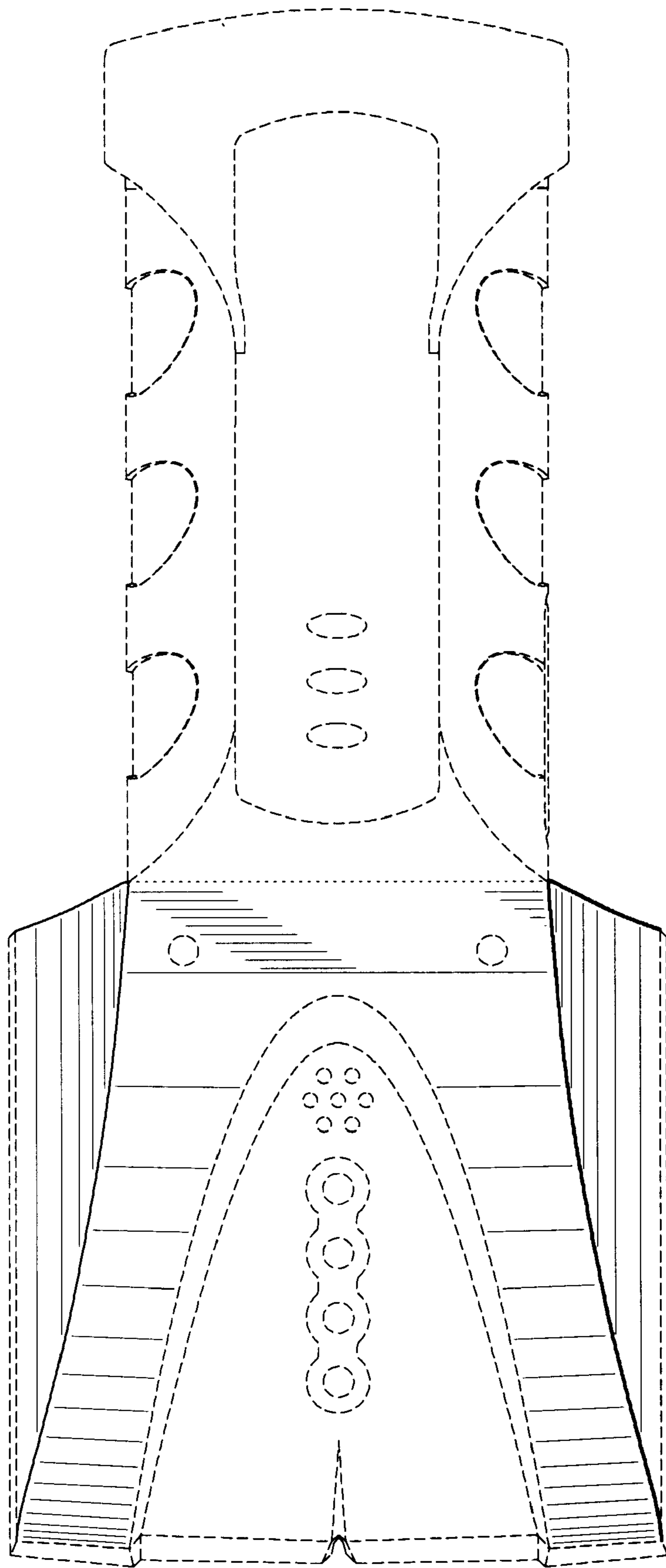


FIG. 2

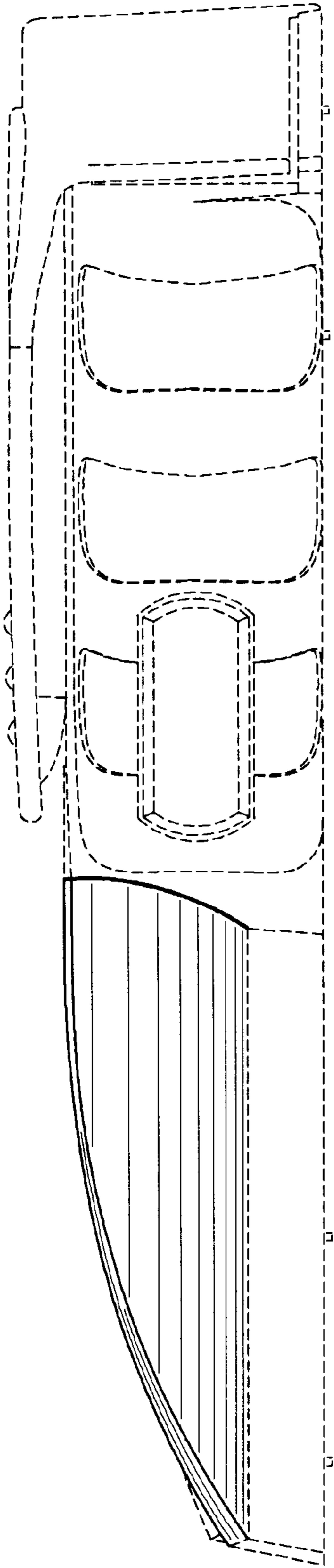


FIG. 3

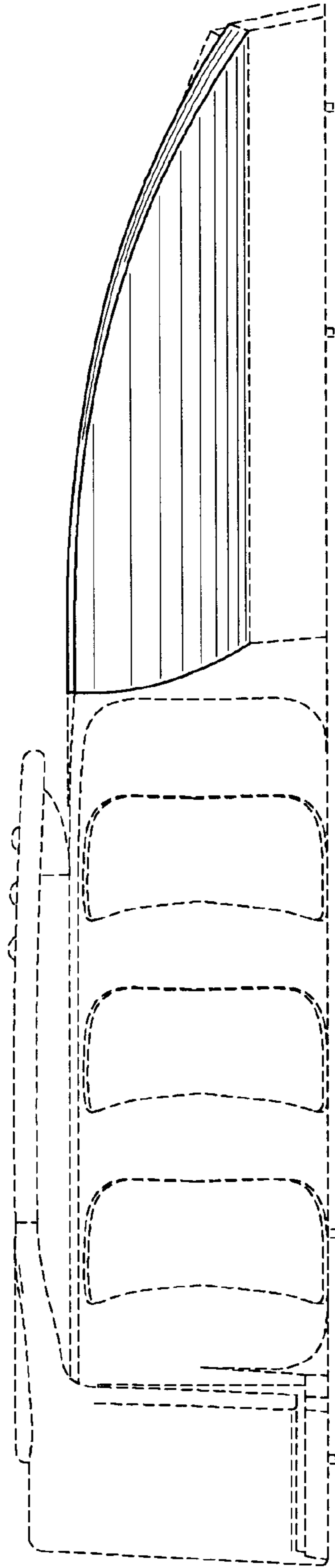


FIG. 4

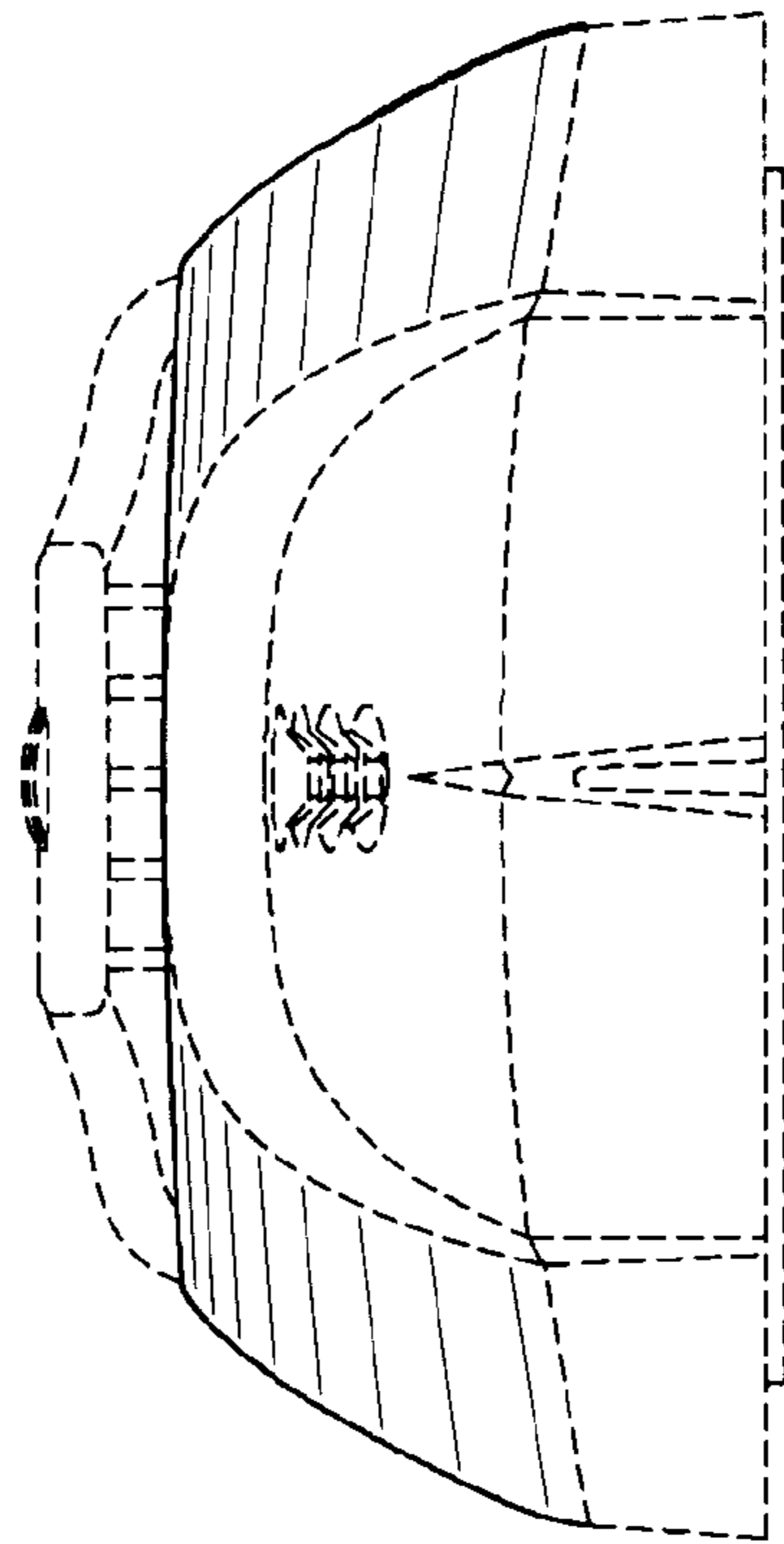


FIG. 5

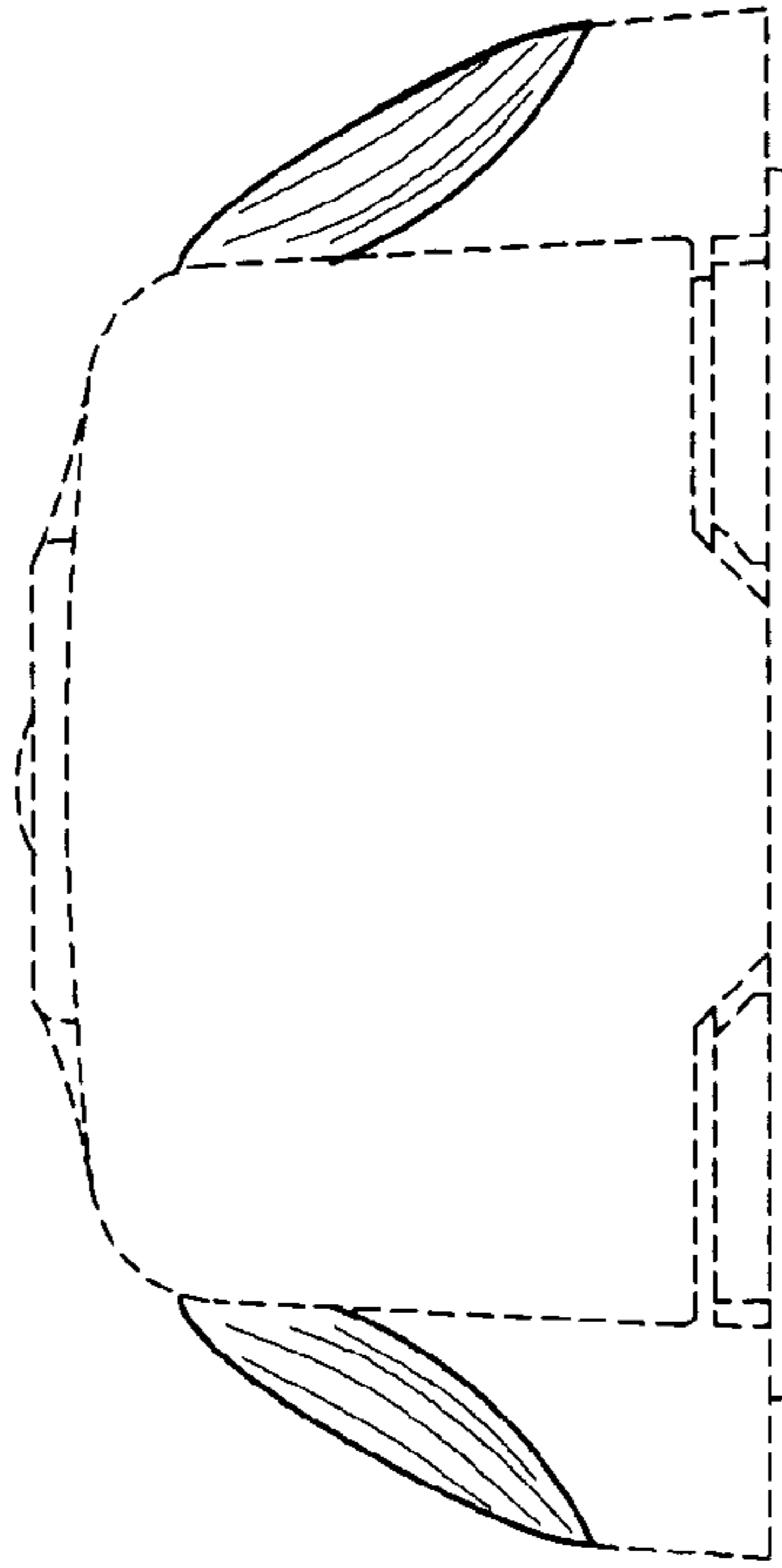


FIG. 6