



US00D455428S

(12) **United States Design Patent**  
**Andres et al.**

(10) **Patent No.:** **US D455,428 S**

(45) **Date of Patent:** **\*\* Apr. 9, 2002**

(54) **COMPUTER KEYBOARD**

(75) Inventors: **Guillermo Andres**, Pleasanton;  
**Thomas S. Neal**, Cupertino; **Jeffrey Allen Salazar**, Belmont, all of CA (US); **David William Laituri**, Wayland, MA (US); **Roman Gebhard**, San Francisco; **Kenneth Douglas Wood**, Portola Valley, both of CA (US)

(73) Assignee: **Hewlett-Packard Company**, Palo Alto, CA (US)

(\*\*) Term: **14 Years**

(21) Appl. No.: **29/124,115**

(22) Filed: **May 31, 2000**

(51) **LOC (7) Cl.** ..... **14-02**

(52) **U.S. Cl.** ..... **D14/396**

(58) **Field of Search** ..... D14/392, 393,  
D14/396; D18/1, 2, 7; 178/17 A, 17 C;  
200/5 A, 5 R, 6 A, 6 R; 235/145 A, 145 R;  
345/160, 167, 168; 341/22, 23; 400/484-486,  
492

(56) **References Cited**

**U.S. PATENT DOCUMENTS**

4,121,048 A \* 10/1978 Dev Choudhury ..... 178/17 C  
D281,689 S \* 12/1985 Peroni ..... D14/392

D354,053 S \* 1/1995 Kao ..... D14/396  
D414,479 S \* 9/1999 Oberhofer et al. .... D14/396  
D428,613 S \* 7/2000 Chen ..... D14/393

**OTHER PUBLICATIONS**

U.S. application No. 09/212,125 filed Dec. 15, 1998 for Modular Keyboard of Guillermo Andres, Edgardo Oriel Enriquez, Felx Guerra, Derek Thomas Newsom, and John Norman.

\* cited by examiner

*Primary Examiner*—Freda Nunn

(57) **CLAIM**

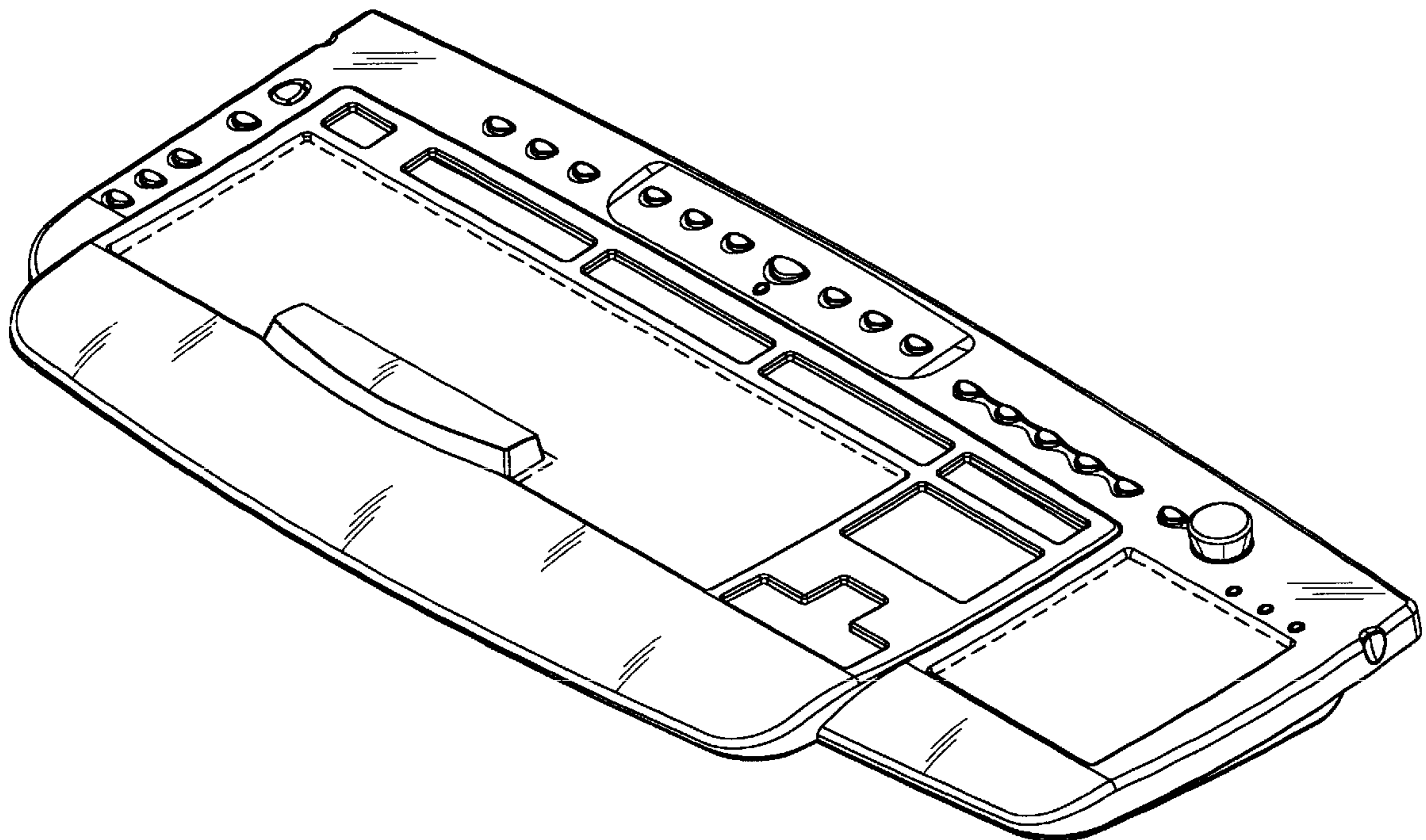
The ornamental design for a computer keyboard, as shown and described.

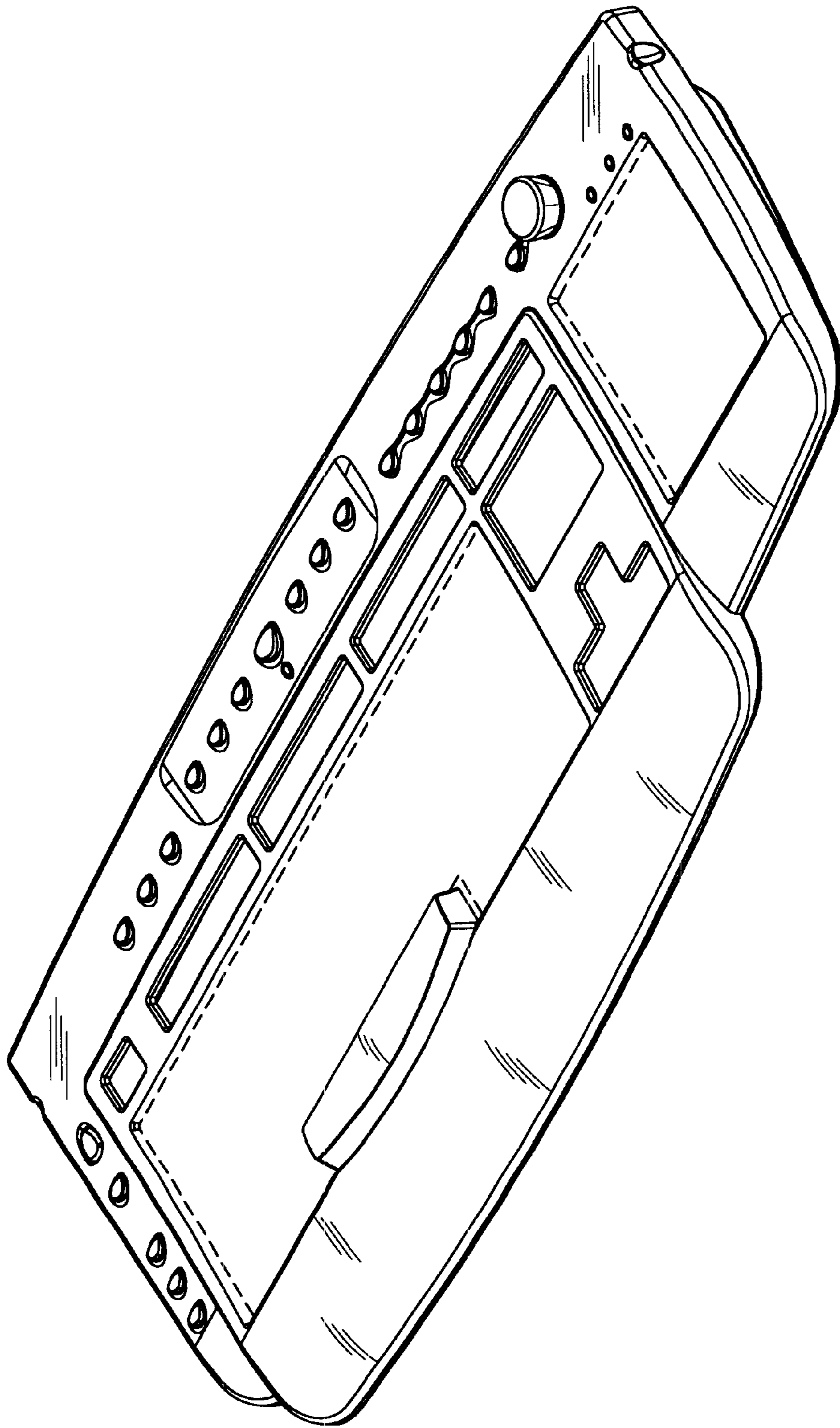
**DESCRIPTION**

FIG. 1 is a right, front isometric view of a computer keyboard showing our new design; FIG. 2 is a left, rear isometric view thereof; FIG. 3 is a top plan view thereof; FIG. 4 is a bottom plan view thereof; FIG. 5 is a front elevational view thereof; FIG. 6 is a rear elevational view thereof; FIG. 7 is a left elevational view thereof; and, FIG. 8 is a right elevational view thereof.

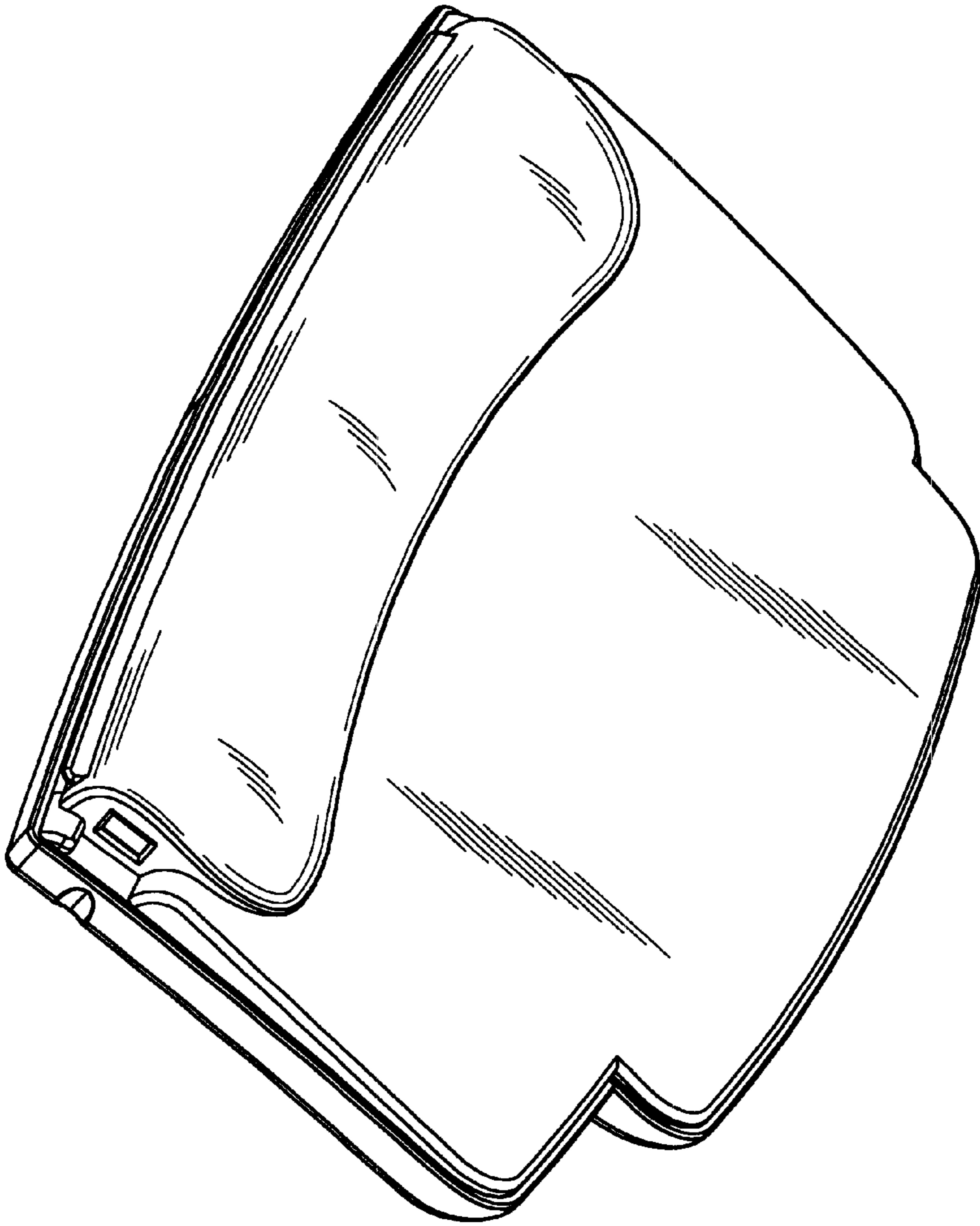
The broken lines are shown in the views for illustrative purposes only and form no part of the claimed design.

**1 Claim, 6 Drawing Sheets**





**FIG. 1**



**FIG. 2**

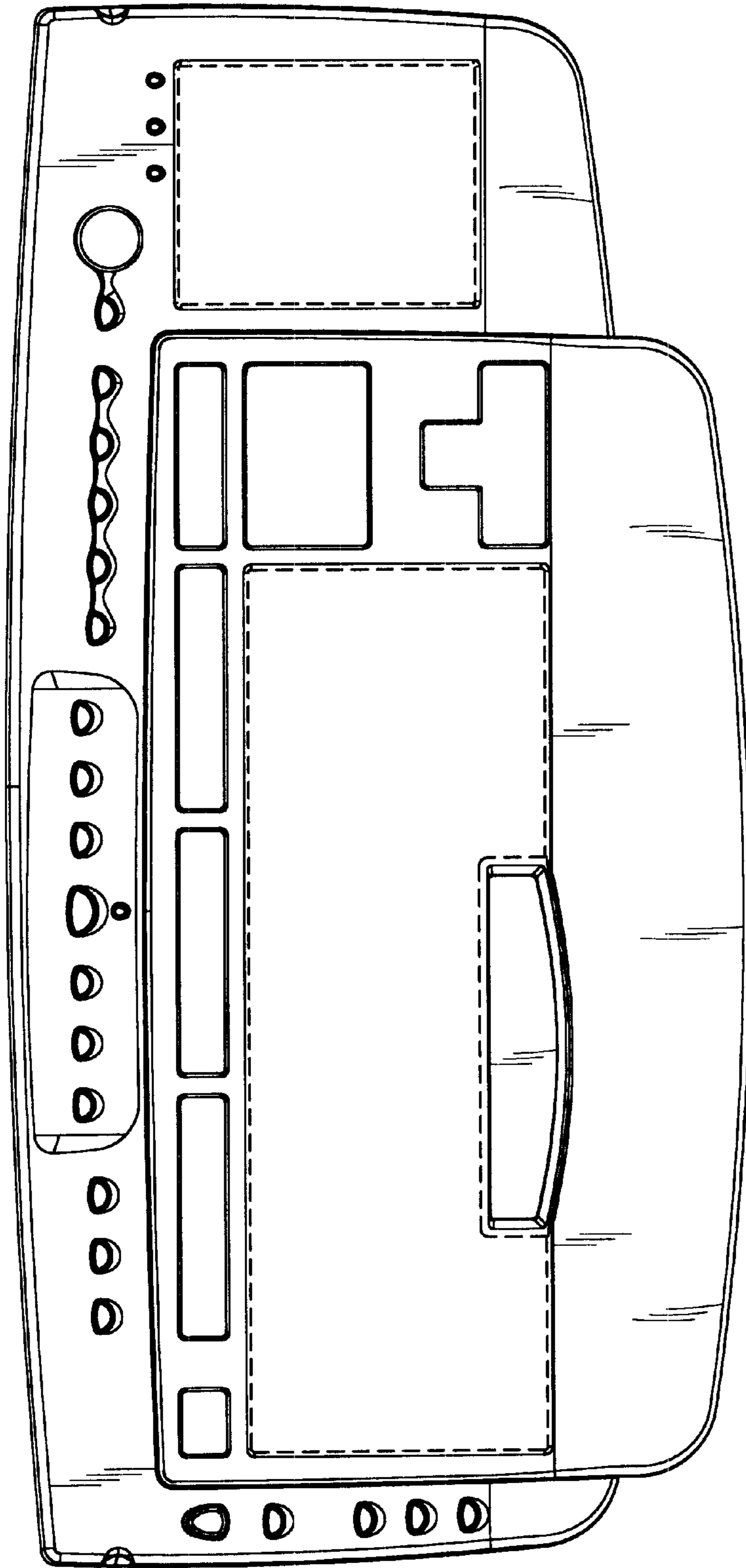
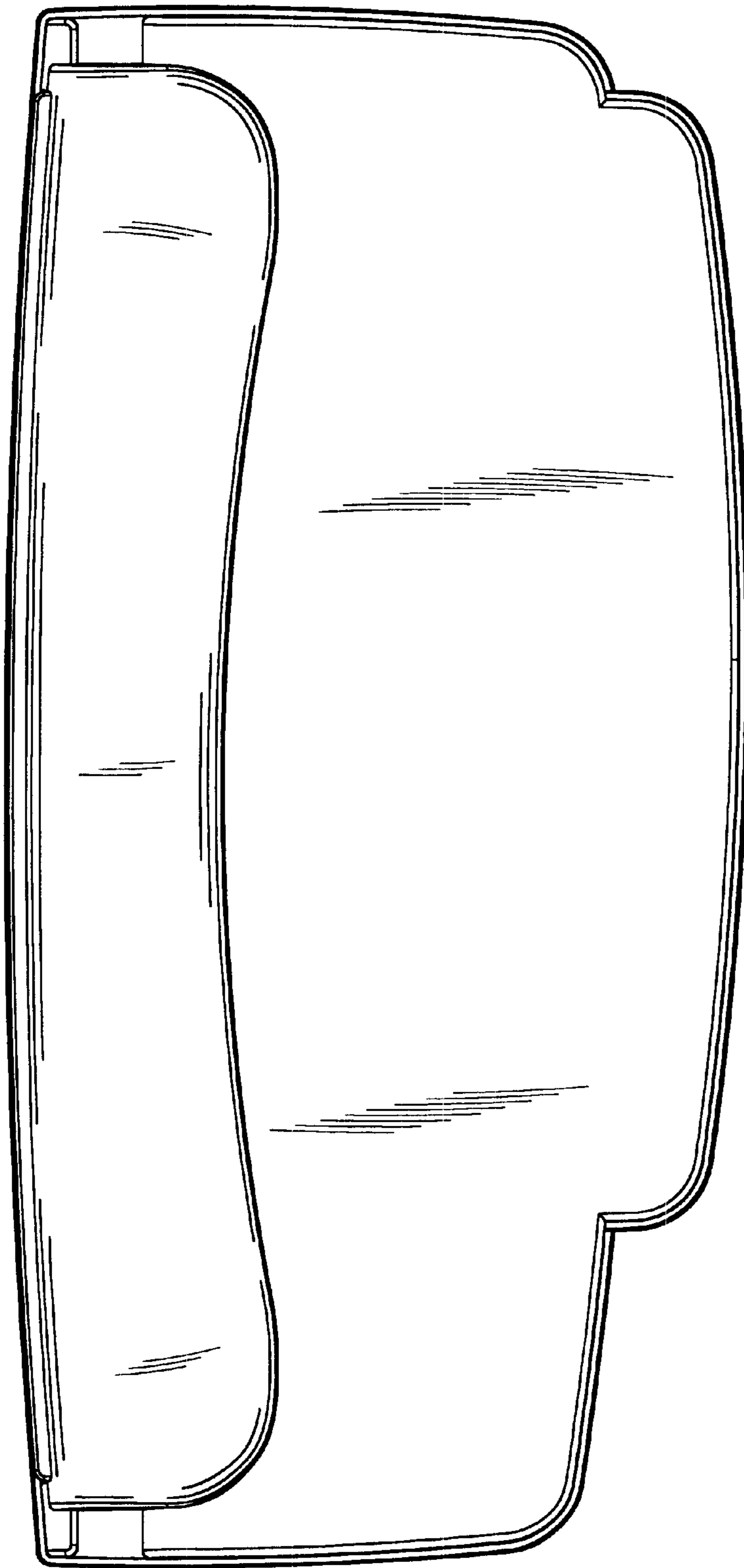


FIG. 3

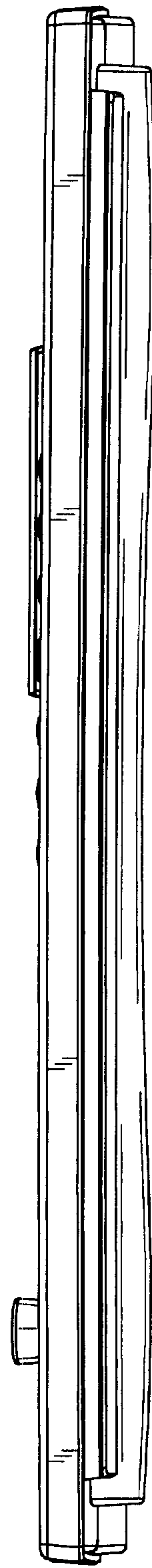




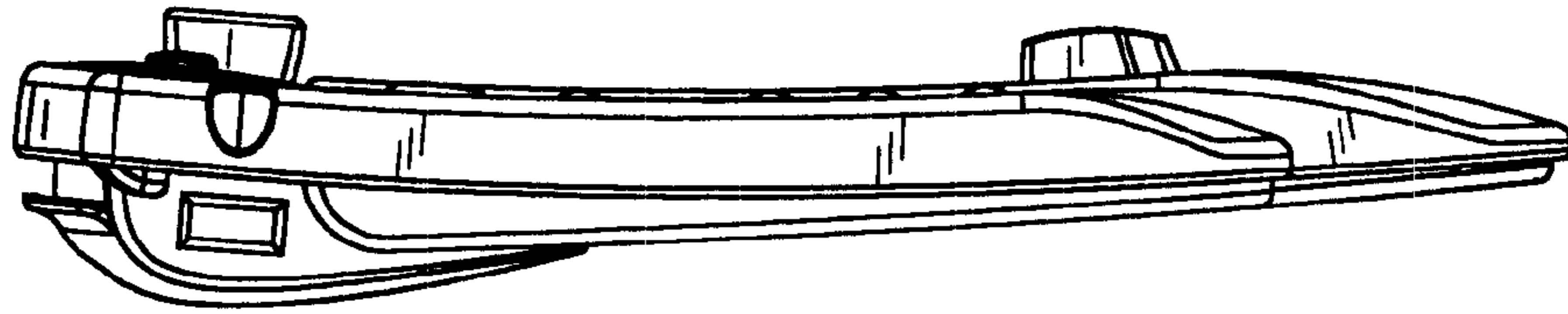
**FIG. 4**



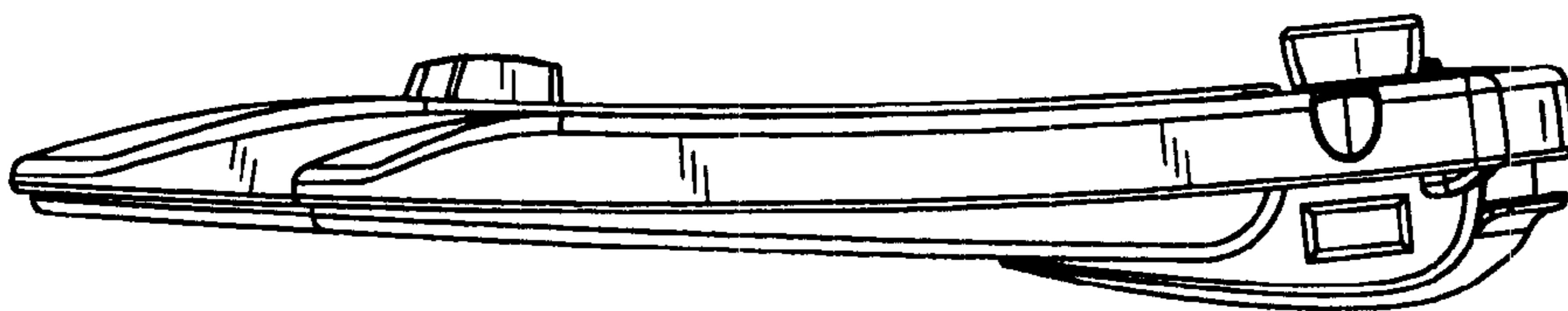
**FIG. 5**



**FIG. 6**



**FIG. 7**



**FIG. 8**