



US00D455427S

(12) **United States Design Patent**
Vejbrink

(10) **Patent No.:** **US D455,427 S**

(45) **Date of Patent:** **** Apr. 9, 2002**

(54) **DISPLAY DEVICE**

(75) Inventor: **Ulrika Vejbrink, Hagersten (SE)**

(73) Assignee: **Reachin Technologies AB, Stockholm (SE)**

(**) Term: **14 Years**

(21) Appl. No.: **29/108,932**

(22) Filed: **Aug. 5, 1999**

(30) **Foreign Application Priority Data**

Feb. 9, 1999 (SE) 99-0244

(51) **LOC (7) Cl.** **14-02**

(52) **U.S. Cl.** **D14/371**

(58) **Field of Search** D14/371, 373,
D14/375, 125-128; 345/104, 133, 156,
168, 87, 173; 348/180, 184, 325, 739, 789;
248/917-924; 349/1, 2, 11, 62; 341/12;
D16/221

(56) **References Cited**

U.S. PATENT DOCUMENTS

4,245,256 A * 1/1981 Kokubo et al. 348/789

D262,704 S * 1/1982 Pierog D14/128
D271,200 S * 11/1983 Kawasaki et al. D14/128
D275,855 S * 10/1984 Tsuchiya D14/128
D281,604 S * 12/1985 Kawasaki et al. D14/128
D357,475 S * 4/1995 Dolgoff D14/128
D373,354 S * 9/1996 Maslow D14/128

* cited by examiner

Primary Examiner—Freda Nunn

(74) *Attorney, Agent, or Firm*—Steven P. Shurtz; Brinks
Hofer Gilson & Lione

(57) **CLAIM**

The ornamental design for a display device, as shown.

DESCRIPTION

FIG. 1 is a top, front, right side perspective display device showing the new design;

FIG. 2 is a front elevational view thereof;

FIG. 3 is a rear elevational view thereof;

FIG. 4 is a right side elevational view thereof; and,

FIG. 5 is a left side elevational view thereof.

1 Claim, 3 Drawing Sheets

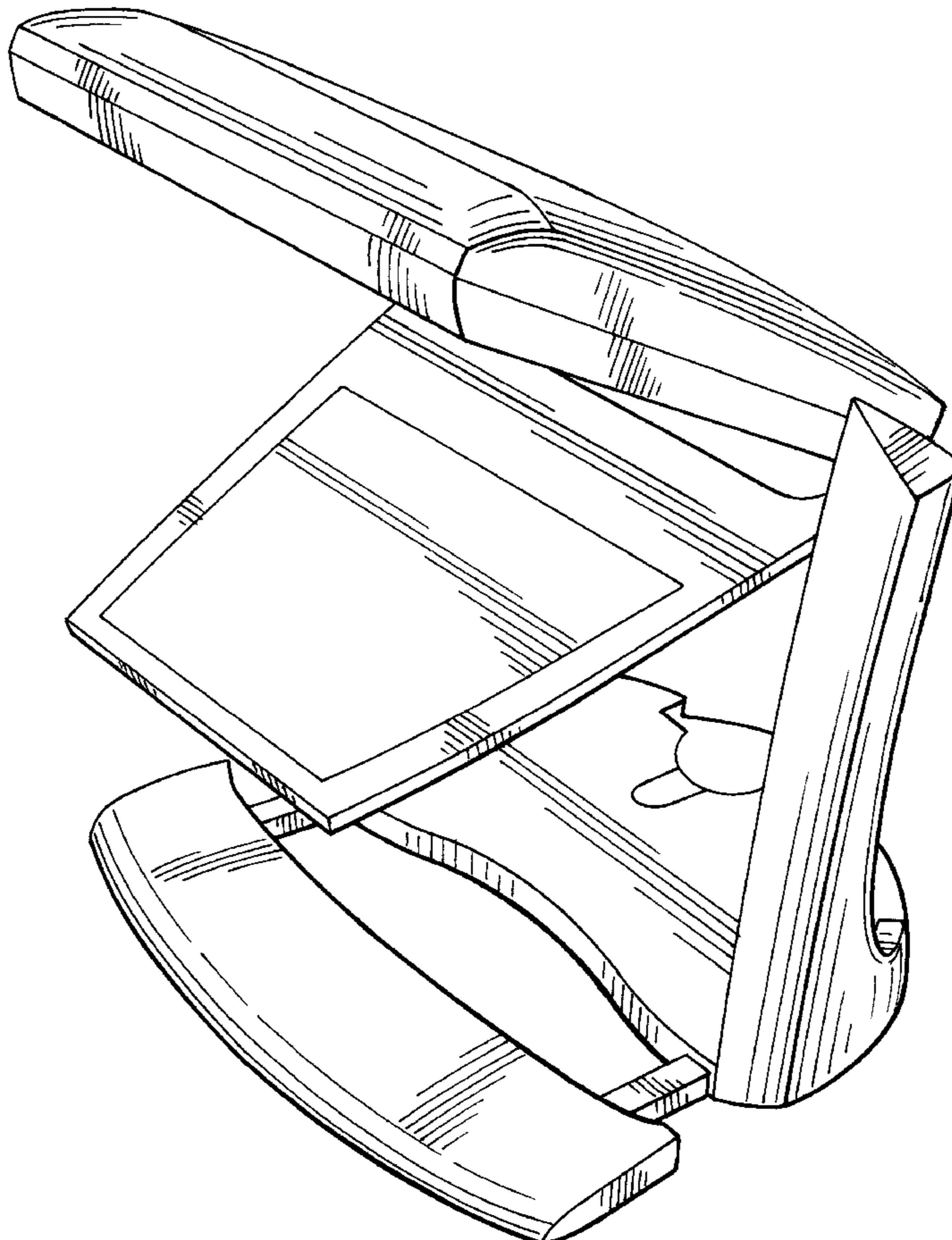


FIG. 1

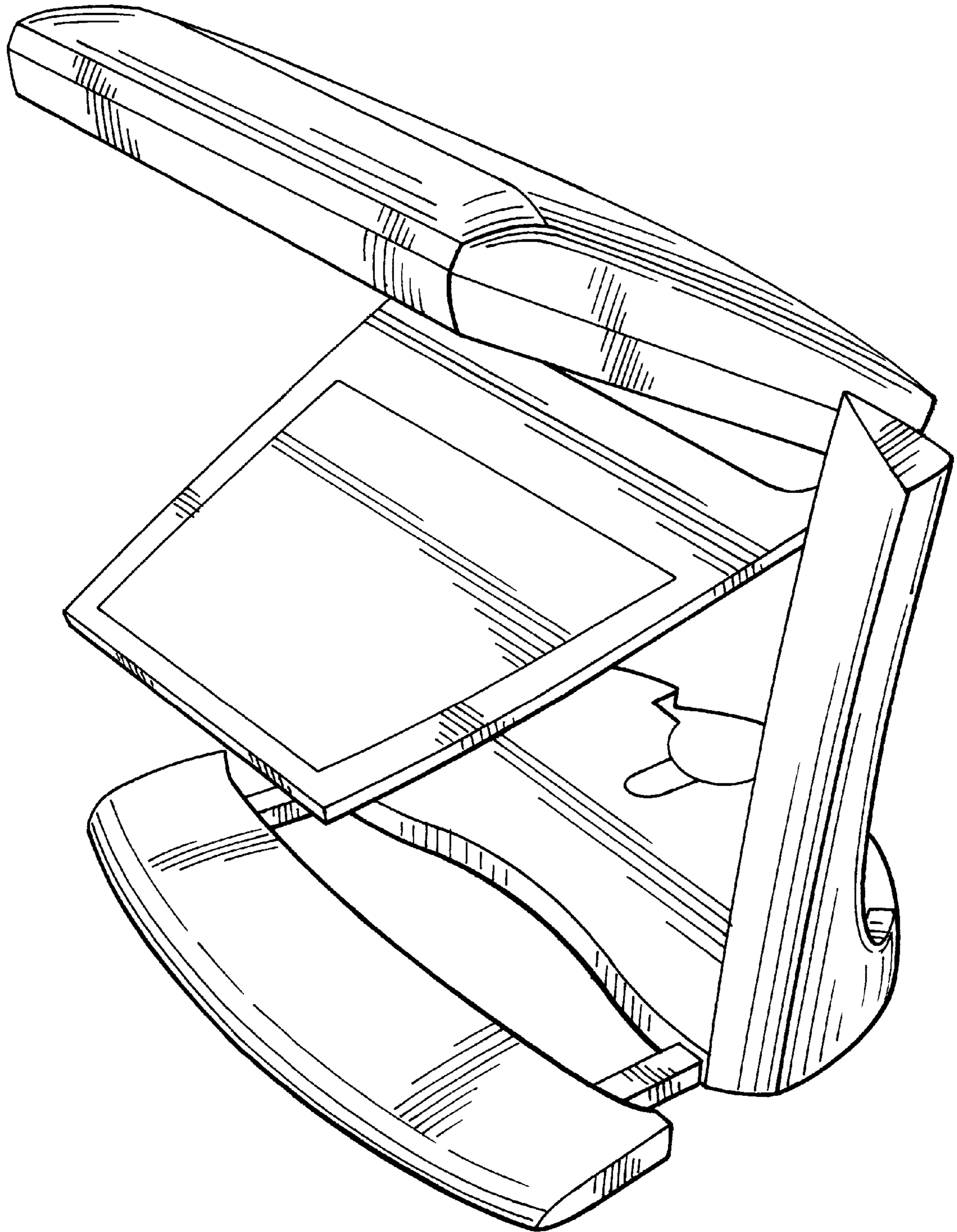


FIG.3

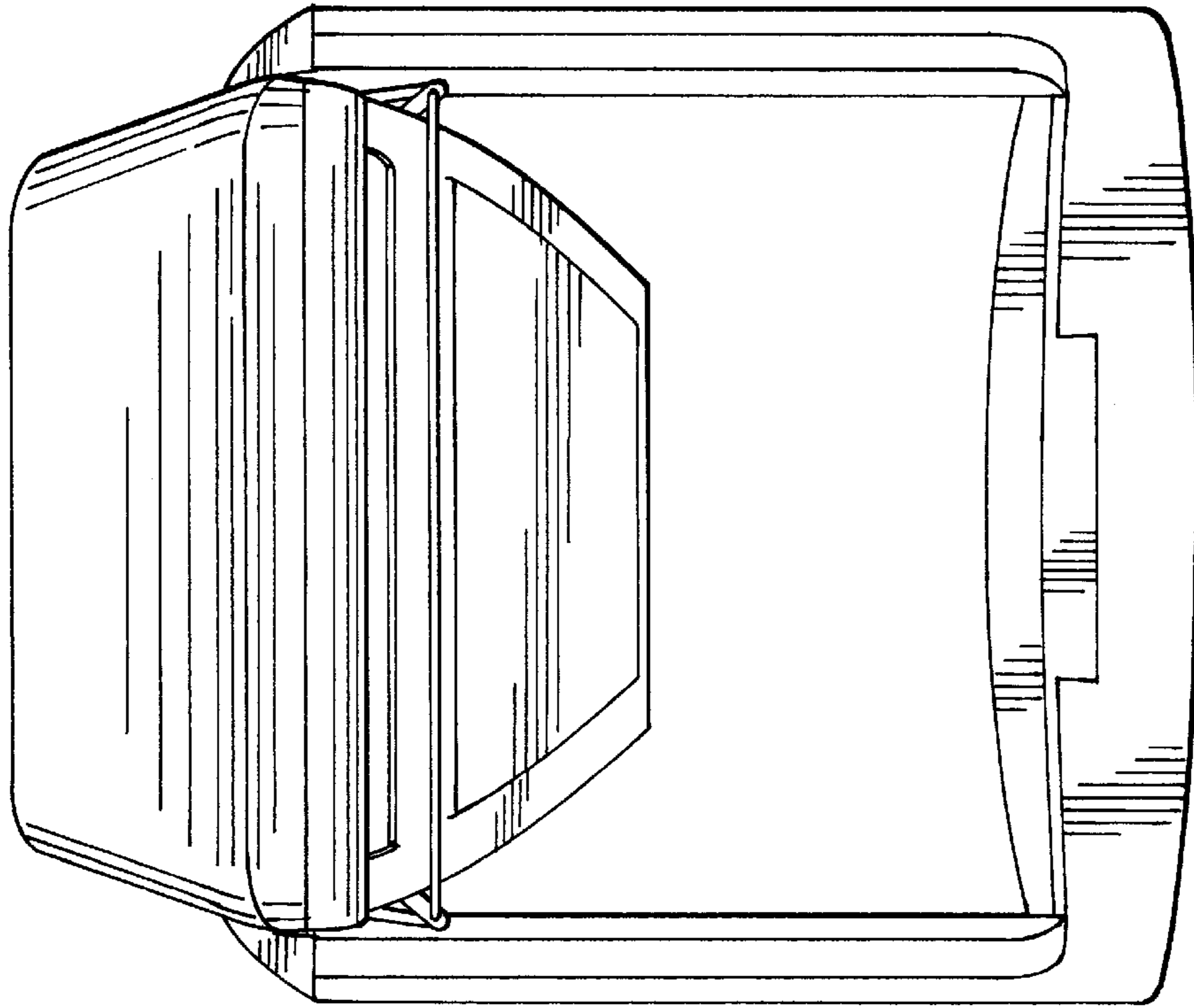


FIG.2

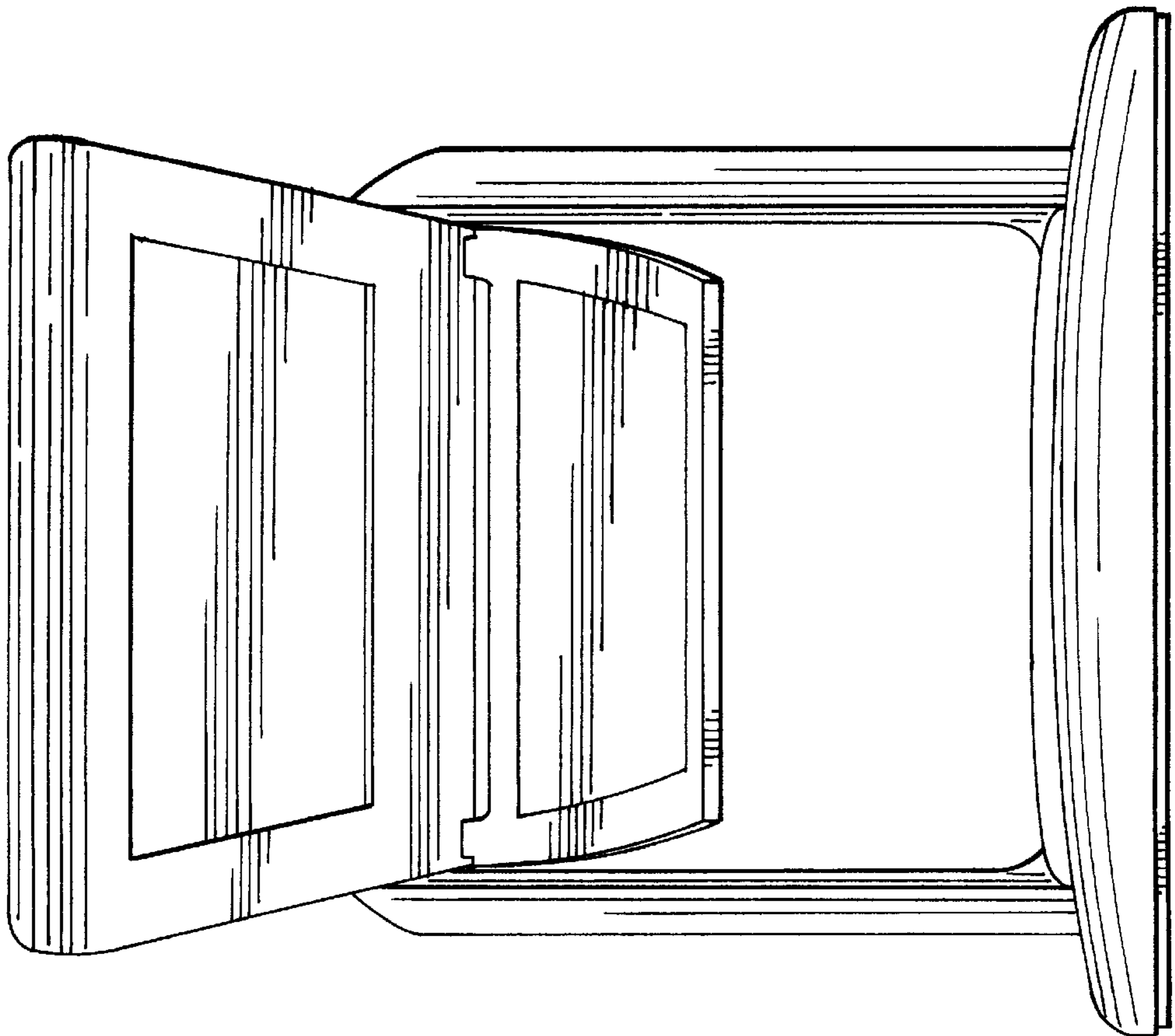


FIG. 5

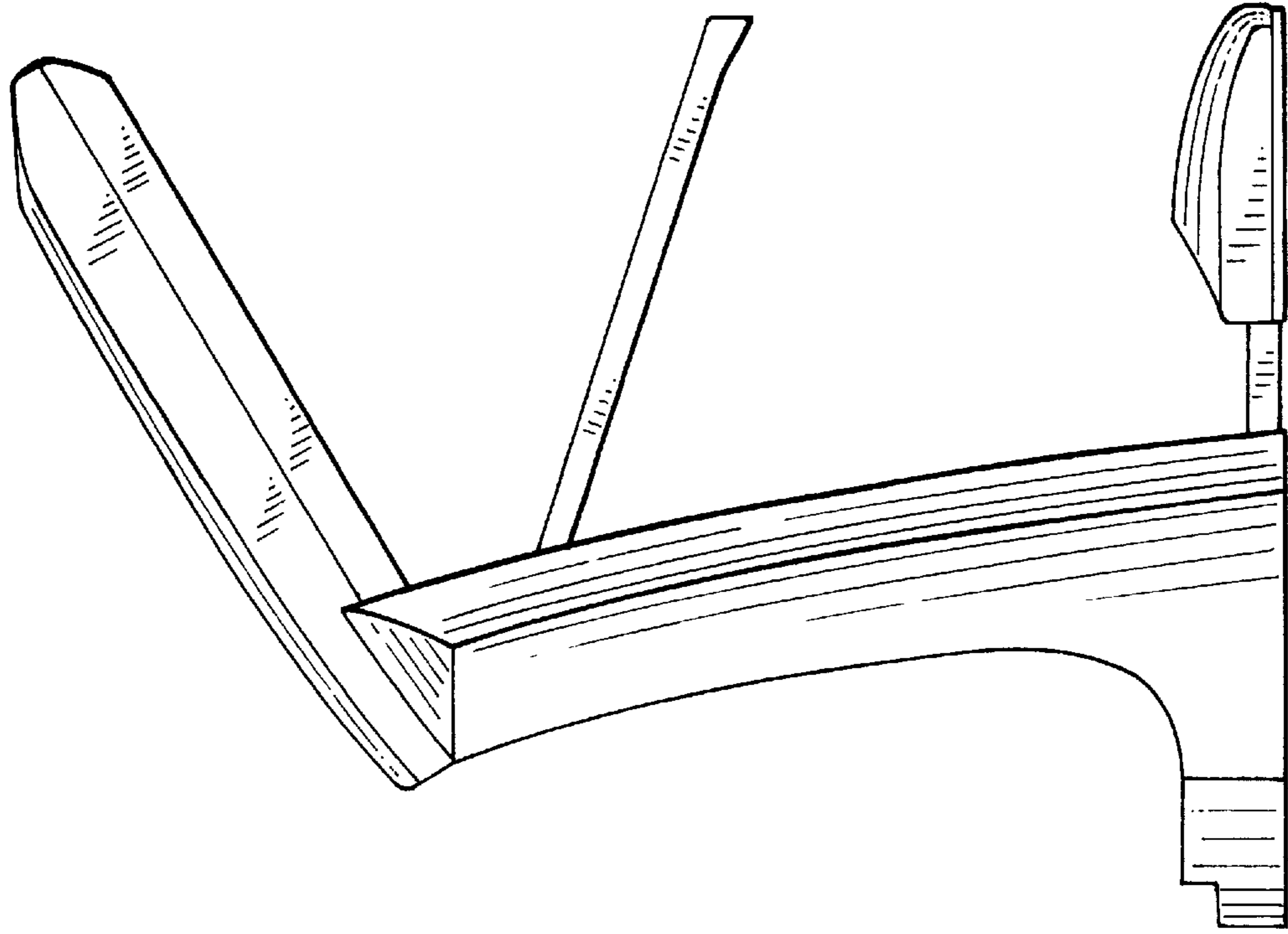


FIG. 4

